



US00D561995S

(12) **United States Design Patent**
Poole

(10) **Patent No.:** **US D561,995 S**

(45) **Date of Patent:** **** Feb. 19, 2008**

(54) **CASE**

(76) Inventor: **Michael Fredrick Poole**, 32 Heather Drive, St Michaels, Tenterden, Kent (GB) TN 30 6PL

(**) Term: **14 Years**

(21) Appl. No.: **29/280,443**

(22) Filed: **May 29, 2007**

(30) **Foreign Application Priority Data**

Nov. 29, 2006 (EM) 000629761-0001
Nov. 29, 2006 (EM) 000629761-0002

(51) **LOC (8) Cl.** **03-01**

(52) **U.S. Cl.** **D3/294**

(58) **Field of Classification Search** D3/201,
D3/203.1-203.2, 203.5-203.6, 205, 273,
D3/284, 286, 294-295, 901, 903; D9/414,
D9/422, 424, 430, 432; D14/356, 432, 435-436;
D21/333; D28/73, 75-76; 206/38, 223,
206/235-236, 307, 569-570, 574, 581, 828
See application file for complete search history.

(56) **References Cited**

U.S. PATENT DOCUMENTS

D311,684 S * 10/1990 Newell et al. D9/418
D354,653 S * 1/1995 Melk D6/632
5,695,054 A * 12/1997 Weisburn et al. 206/308.1
5,697,498 A * 12/1997 Weisburn et al. 206/308.1
D389,174 S * 1/1998 Yasoshima D18/17
D400,011 S * 10/1998 Palmer et al. D3/294
D401,463 S * 11/1998 Cheris et al. D6/634

D424,245 S * 5/2000 Stoecker D28/78
D434,562 S * 12/2000 Huang D3/282
D437,521 S * 2/2001 Leung D6/635
D443,981 S * 6/2001 DiVincenzo D3/205
D449,164 S * 10/2001 Rosen D3/282
D502,095 S * 2/2005 Tucker et al. D9/425
D502,807 S * 3/2005 Jaron et al. D3/273
D503,831 S * 4/2005 Ames D28/78
D535,186 S * 1/2007 Tanner D9/422
D536,525 S * 2/2007 Vasudeva et al. D3/282
D540,038 S * 4/2007 Hussaini et al. D3/294
D543,358 S * 5/2007 Vasudeva et al. D3/282

* cited by examiner

Primary Examiner—Philip S. Hyder
Assistant Examiner—R. L. (Ulm) Cody
(74) *Attorney, Agent, or Firm*—Kusner & Jaffe

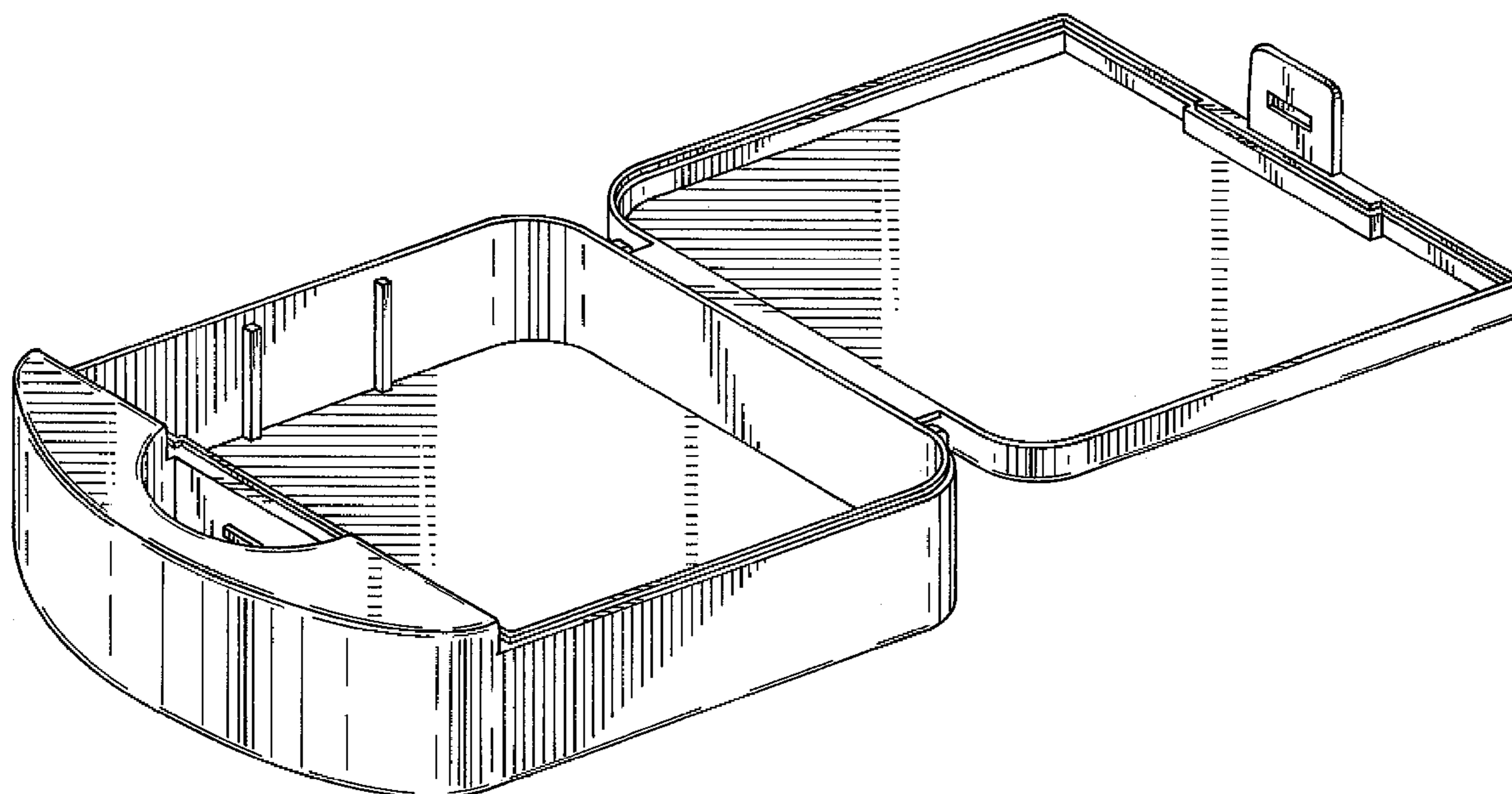
(57) **CLAIM**

The ornamental design for the case, as shown and described.

DESCRIPTION

FIG. 1 is a top perspective view of my new case;
FIG. 2 is a bottom perspective view thereof;
FIG. 3 is a top, plan view thereof;
FIG. 4 is a side view thereof, the opposite side being a mirror image thereof;
FIG. 5 is a view of one end thereof;
FIG. 6 is a view of the other end thereof; and,
FIG. 7 is a bottom plan view thereof.

1 Claim, 5 Drawing Sheets



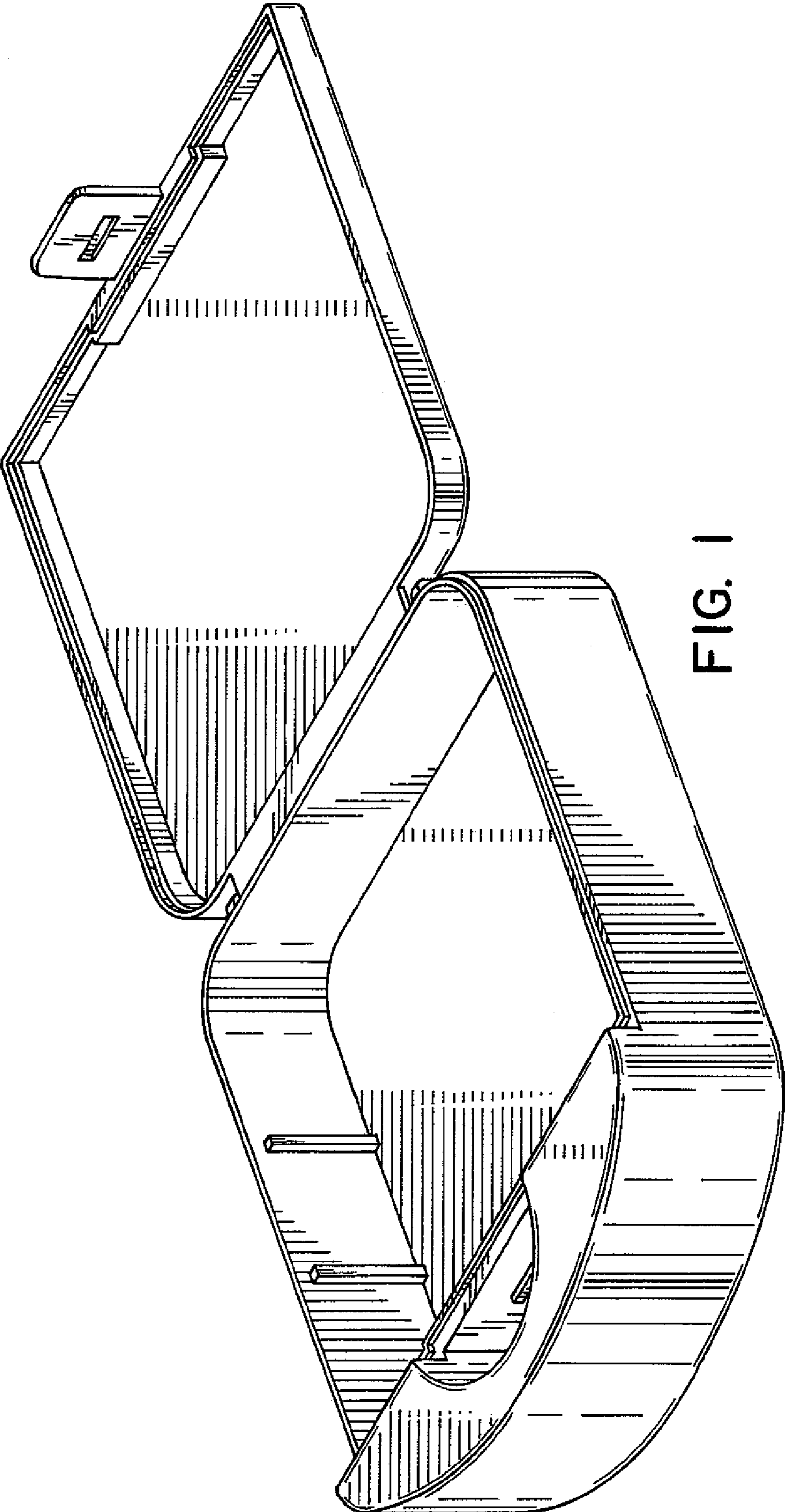


FIG. 1

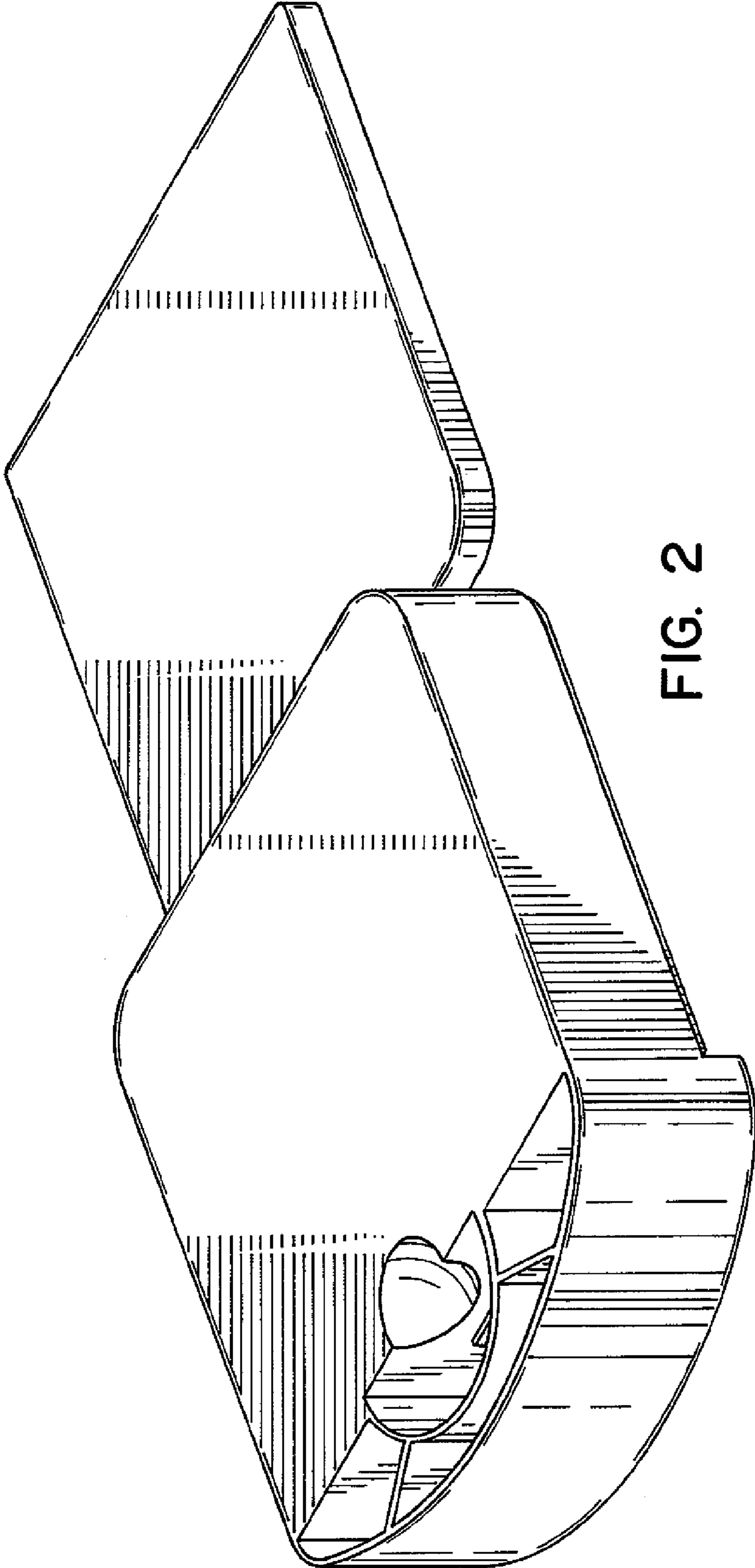


FIG. 2

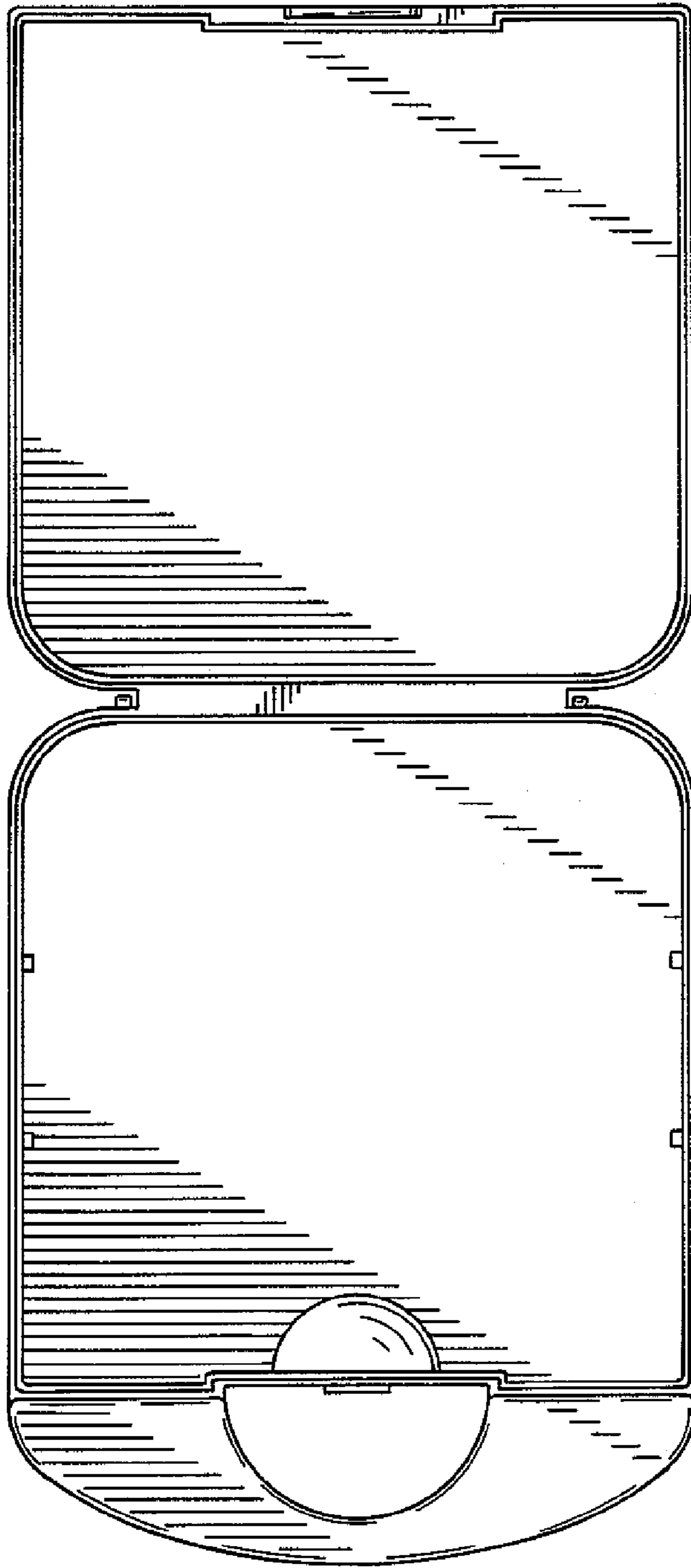


FIG. 4

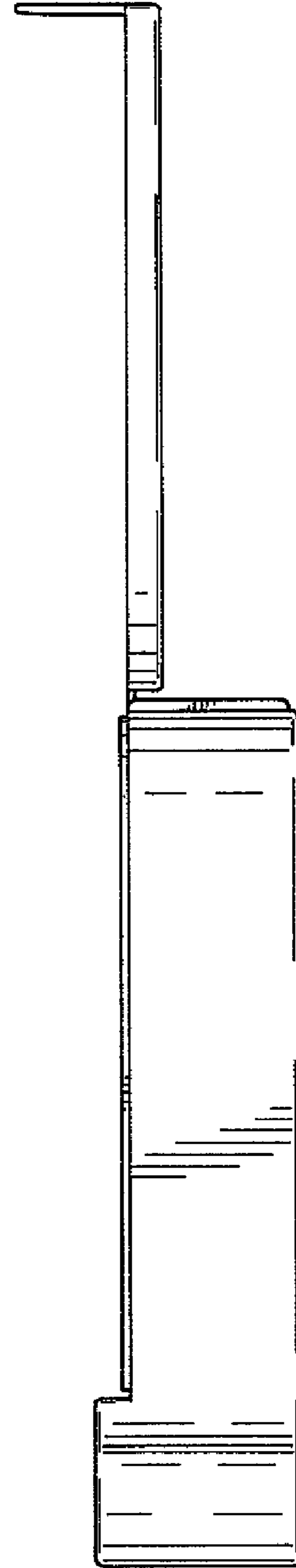


FIG. 3

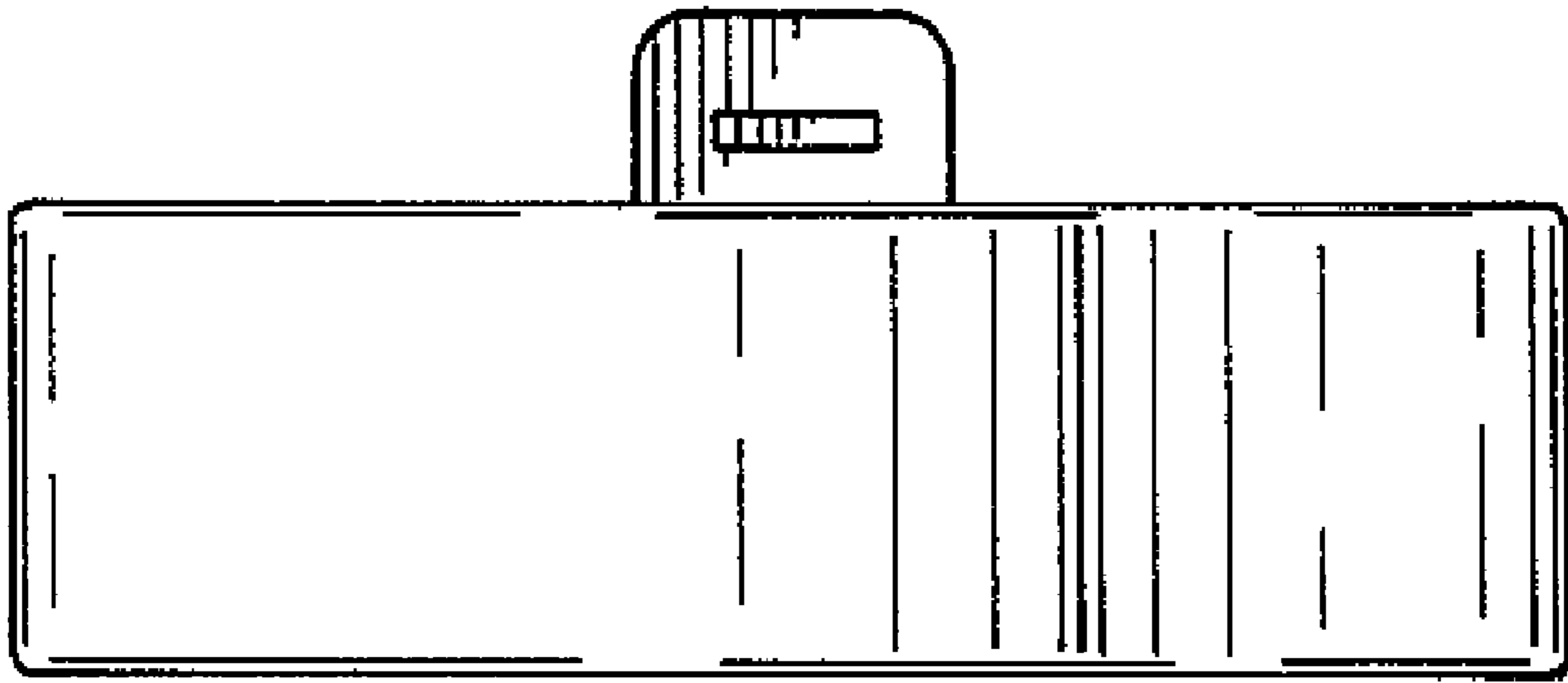


FIG. 5

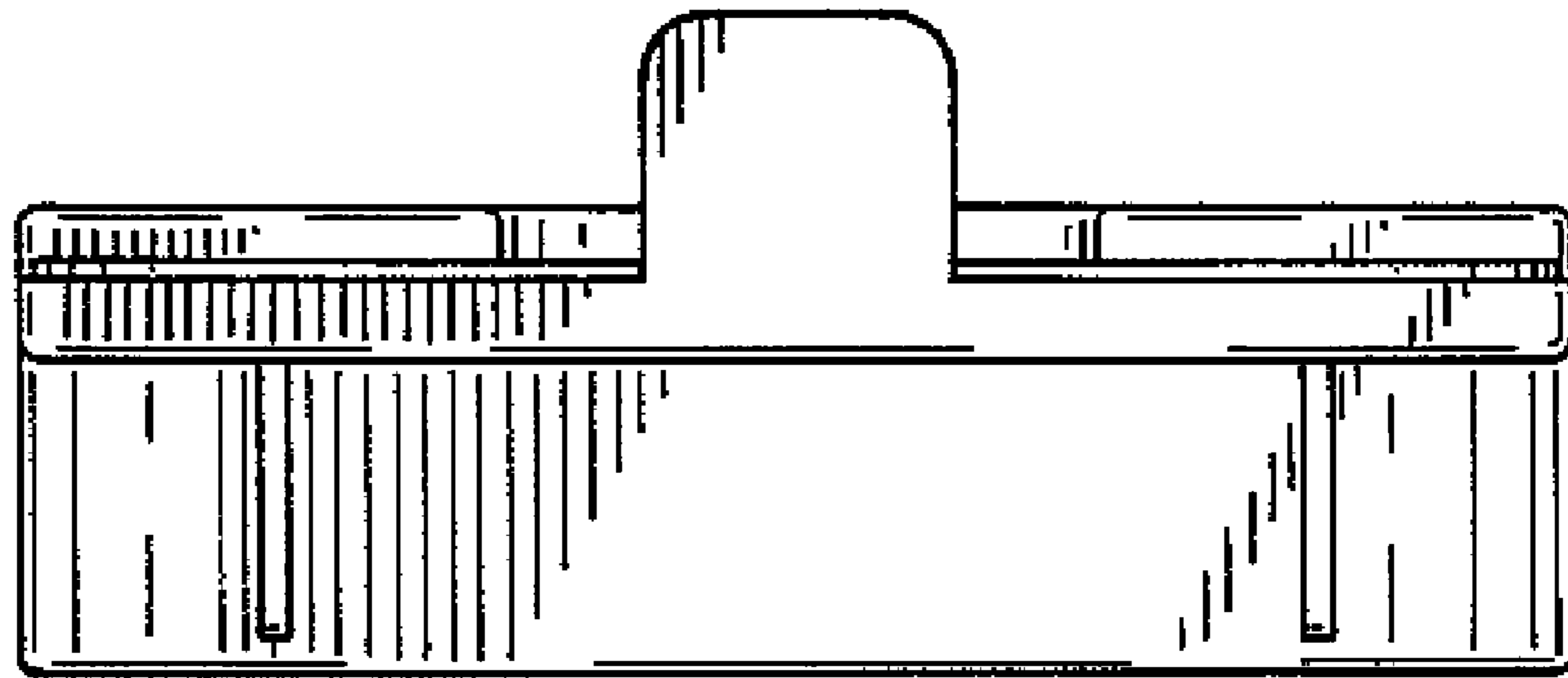


FIG. 6

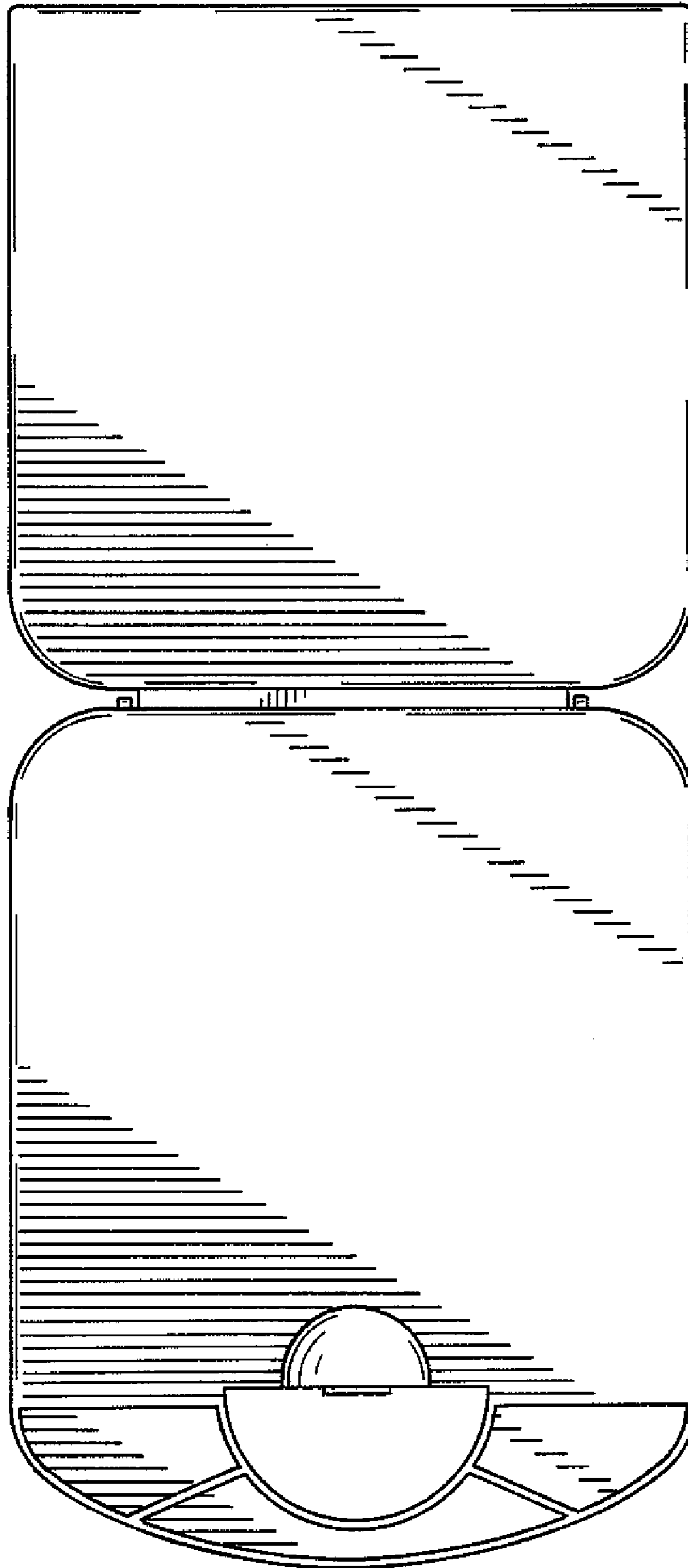


FIG. 7