



US00D561994S

(12) **United States Design Patent** (10) **Patent No.:** **US D561,994 S**  
**Peart et al.** (45) **Date of Patent:** **\*\* Feb. 19, 2008**

(54) **CASH BOX/SECURITY CASE**

4,766,292 A 8/1988 Cone

(75) Inventors: **Roger Peart**, Hickory Hills, IL (US);  
**Dale Eick**, Mundelein, IL (US); **Brett Vladika**, Milwaukee, WI (US); **Steven G. Melnyk**, Caledonia, WI (US);  
**Joshua J. Nelson**, Milwaukee, WI (US)

(Continued)

**OTHER PUBLICATIONS**

Echelon cash box—MMF217701292. Downloaded Oct. 24, 2006 at [http://www.shoplet.com/MMF217701292\\_Office\\_Supply\\_Echelon\\_cash\\_box.html](http://www.shoplet.com/MMF217701292_Office_Supply_Echelon_cash_box.html).

(73) Assignee: **Block and Company, Inc.**, Wheeling, IL (US)

(Continued)

(\*\*) Term: **14 Years**

*Primary Examiner*—Philip S. Hyder

*Assistant Examiner*—RoseLynne (Ulm) Cody

(21) Appl. No.: **29/272,796**

(74) *Attorney, Agent, or Firm*—Cook, Alex, McFarron, Manzo, Cummings & Mehler, Ltd.

(22) Filed: **Feb. 16, 2007**

**Related U.S. Application Data**

(57) **CLAIM**

(63) Continuation of application No. 29/229,187, filed on May 4, 2005, now Pat. No. Des. 541,045.

The ornamental design for a cash box/security case, as shown and described.

(51) **LOC (8) Cl.** ..... **03-01**

(52) **U.S. Cl.** ..... **D3/291; D3/294; D99/28**

(58) **Field of Classification Search** ..... D3/273, D3/276, 281, 291, 295, 900, 901, 903, 905; D99/28, 35, 43; 70/63, 231; 109/1 R, 22, 109/44-45; 206/81-82, 308.2, 349, 372-373, 206/387.11

See application file for complete search history.

**DESCRIPTION**

FIG. 1 is a perspective view of a cash box/security case showing our design;

FIG. 2 is a top plan thereof;

FIG. 3 is an elevational view of the front side thereof;

FIG. 4 is an elevational view of one side thereof;

FIG. 5 is an elevational view of the opposite side thereof;

FIG. 6 is an elevational view of the back side thereof; and,

FIG. 7 is a bottom plan view thereof.

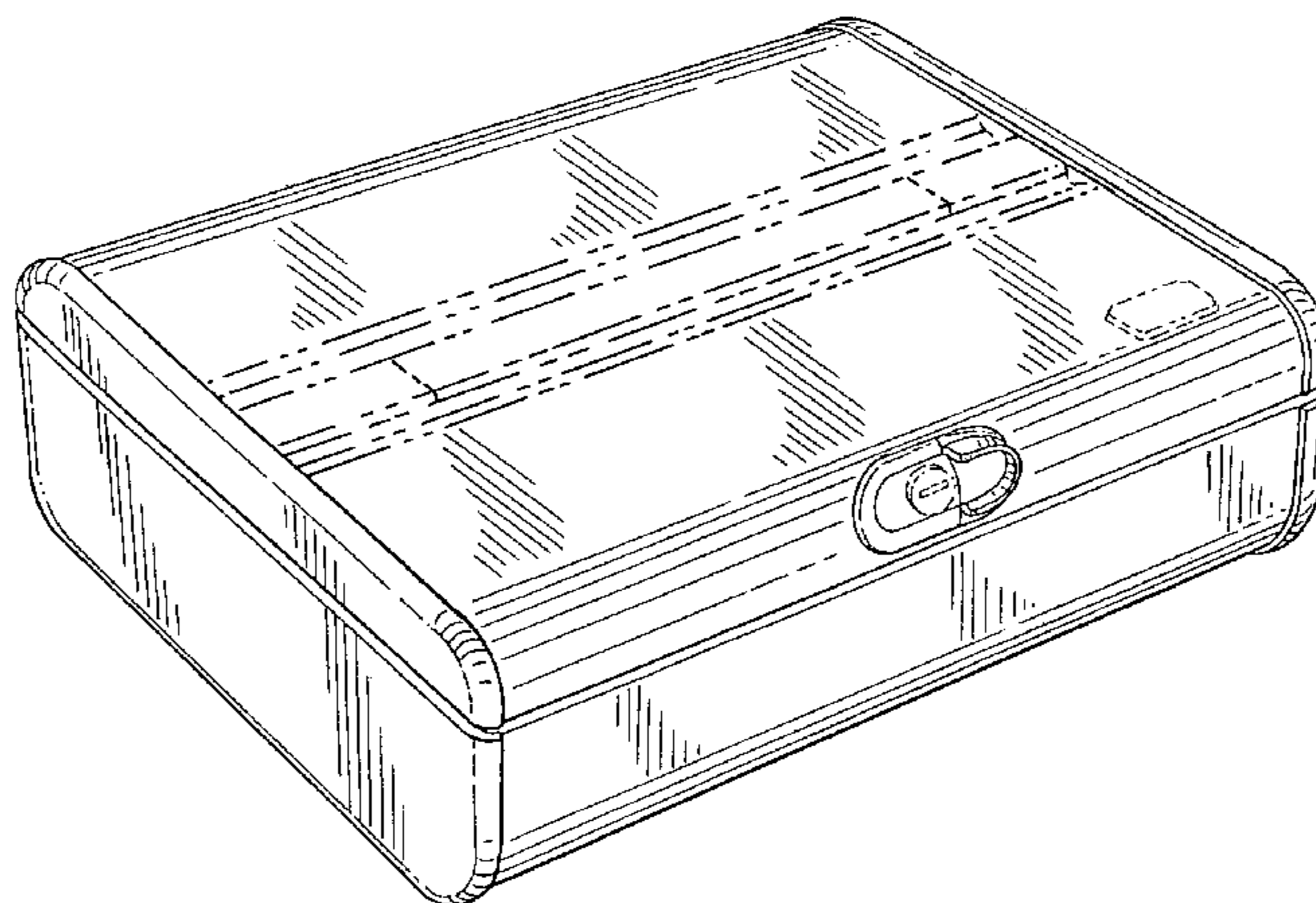
The circular slotted feature and the rectangular top-side feature—one or both of which are shown in phantom lines in FIGS. 1, 2, 3, and 6 represent portions of the design that form no part of the claim. The handle and rectangular recess feature extending across the mid-portion of the top-side, which are shown in phantom lines in FIGS. 1 and 2, also represent portions of the design that form no part of the claim.

(56) **References Cited**

**U.S. PATENT DOCUMENTS**

2,106,911 A	2/1938	Garfinkel
D122,811 S	10/1940	Adams
D145,008 S	6/1946	Crane
2,544,118 A	3/1951	Went
2,962,138 A	11/1960	Finkelstein
2,987,150 A	6/1961	Szabo
2,987,151 A	6/1961	Frambes
D257,800 S	1/1981	Pedersen
D280,678 S	9/1985	Loscalzo et al.
D280,852 S	10/1985	Bakic
4,611,711 A	9/1986	Warwicker
D291,139 S	7/1987	Warwicker

**1 Claim, 3 Drawing Sheets**



# US D561,994 S

Page 2

## U.S. PATENT DOCUMENTS

D307,354 S	4/1990	Knotter et al.	D454,689 S	3/2002	Gonda et al.
D330,913 S	11/1992	Hirumori	D458,127 S	6/2002	de Groote
5,168,987 A	12/1992	Warwicker	D459,857 S	7/2002	Stoneberg
5,170,907 A *	12/1992	Sakai ..... 220/481	D459,886 S	7/2002	Jones
D333,727 S	3/1993	Schurman	D469,607 S	2/2003	Wolff
D341,935 S	12/1993	Peersmann	D469,955 S	2/2003	Lauer
D366,280 S	1/1996	Henderson	D474,599 S	5/2003	Shamoon
D367,211 S	2/1996	Cautereels	D476,810 S	7/2003	Liebe
D367,558 S	3/1996	Lai	D487,192 S	3/2004	Farnham et al.
D371,906 S	7/1996	Peters	D496,585 S	9/2004	McBride et al.
D373,901 S	9/1996	Bergstedt	D503,503 S	3/2005	Perella et al.
D376,691 S	12/1996	Naas et al.	D513,873 S	1/2006	Bochno et al.
D386,307 S	11/1997	Naas et al.	D528,164 S *	9/2006	Orcutt ..... D19/92
D393,526 S	4/1998	Robey et al.	7,194,880 B2 *	3/2007	Necchi ..... 70/57.1
D399,632 S	10/1998	Davis et al.	D542,529 S *	5/2007	Pearl et al. .... D3/276
D412,786 S	8/1999	Killinger	2001/0034202 A1	10/2001	Nottingham et al.
6,006,558 A	12/1999	Peters	2006/0108252 A1 *	5/2006	Lax ..... 206/470
D437,685 S	2/2001	Liu			
D440,401 S	4/2001	Pauser et al.			
D447,633 S	9/2001	Demsien et al.			
D448,931 S	10/2001	Gutierrez et al.			
D449,165 S	10/2001	van der Hulst			
D454,429 S	3/2002	Hussaini et al.			

## OTHER PUBLICATIONS

MMF Cash Drawer echelon security Case Slim Line. Downloaded Oct. 24, 2006 at [http://www.mmfcashdrawer.com/05site/echelon/echelon\\_slim.htm](http://www.mmfcashdrawer.com/05site/echelon/echelon_slim.htm).

\* cited by examiner

FIG. 1

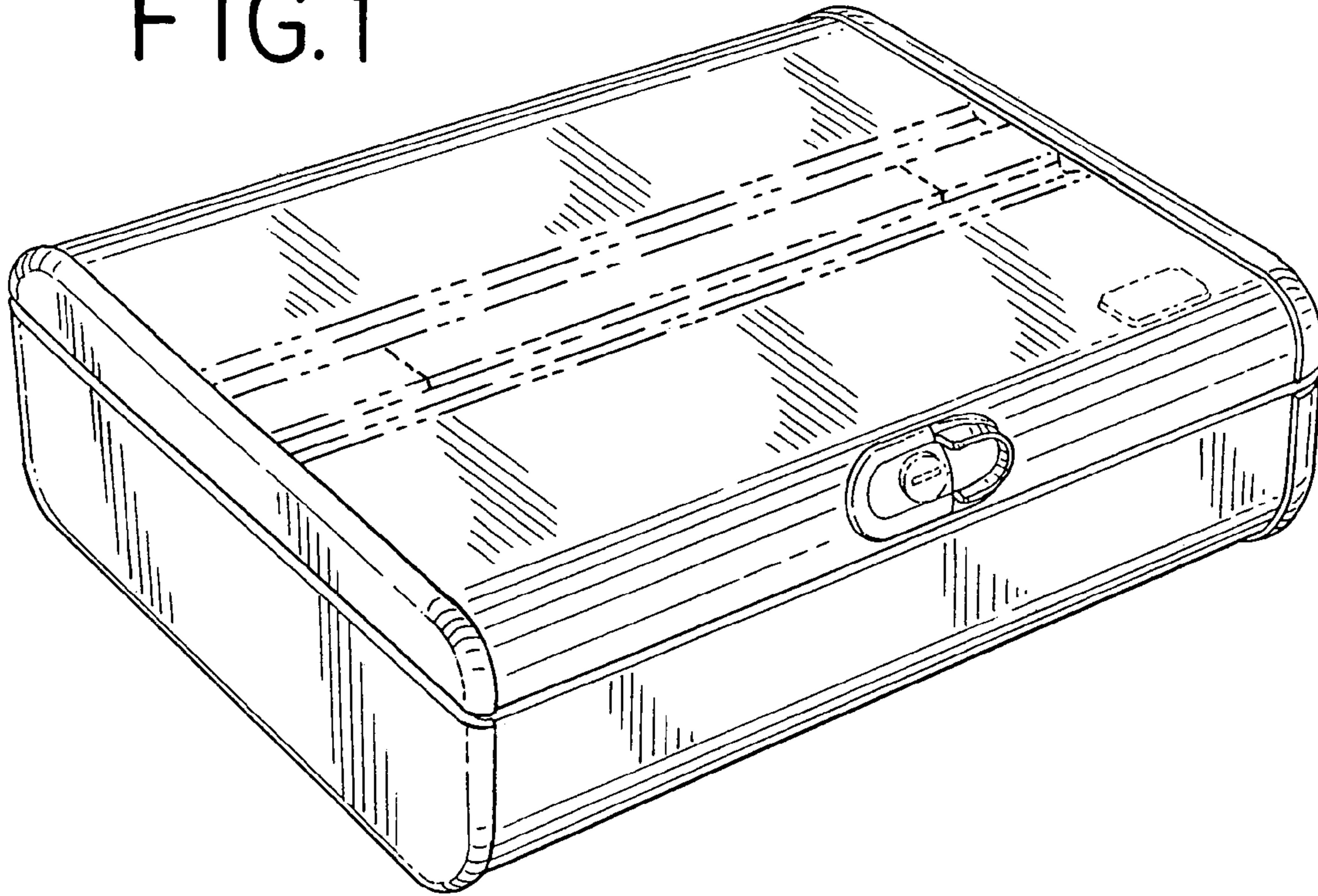


FIG. 2

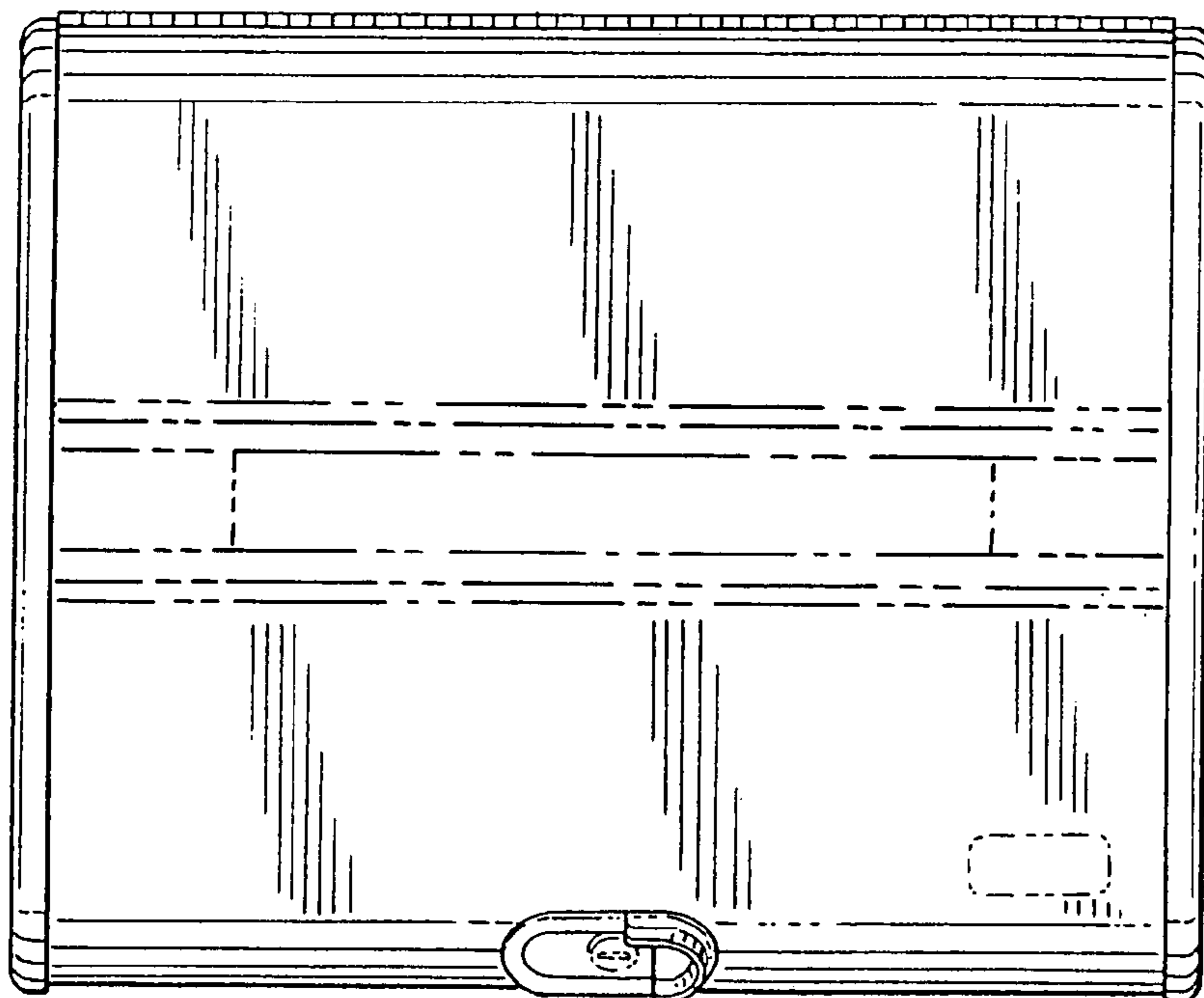


FIG. 3

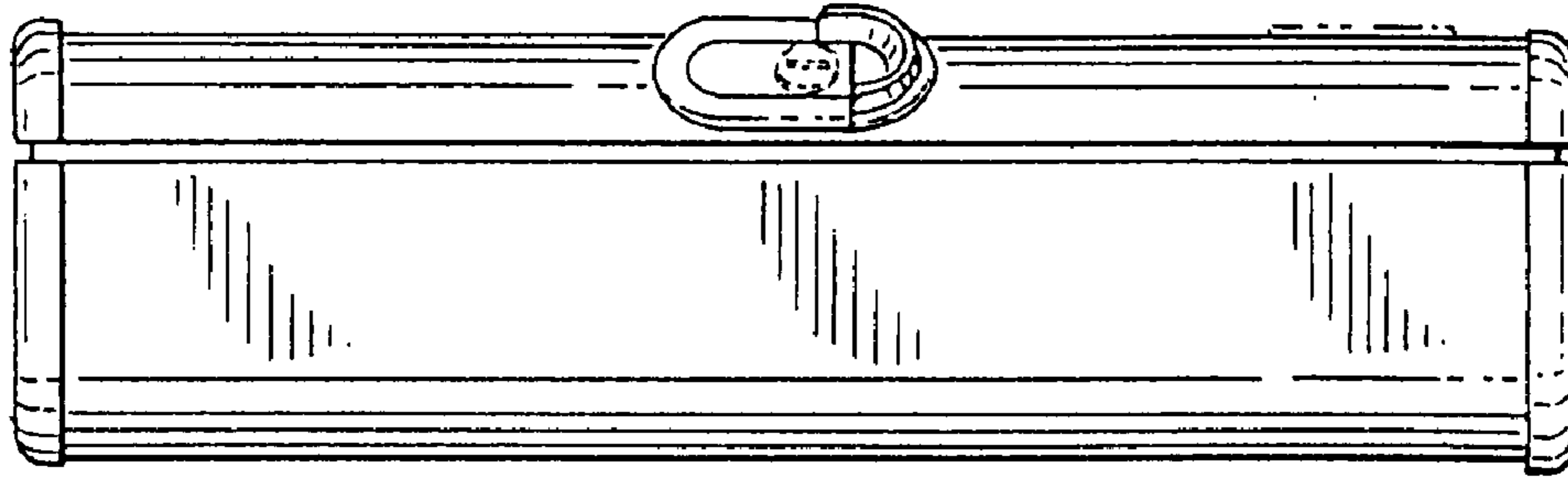


FIG. 4

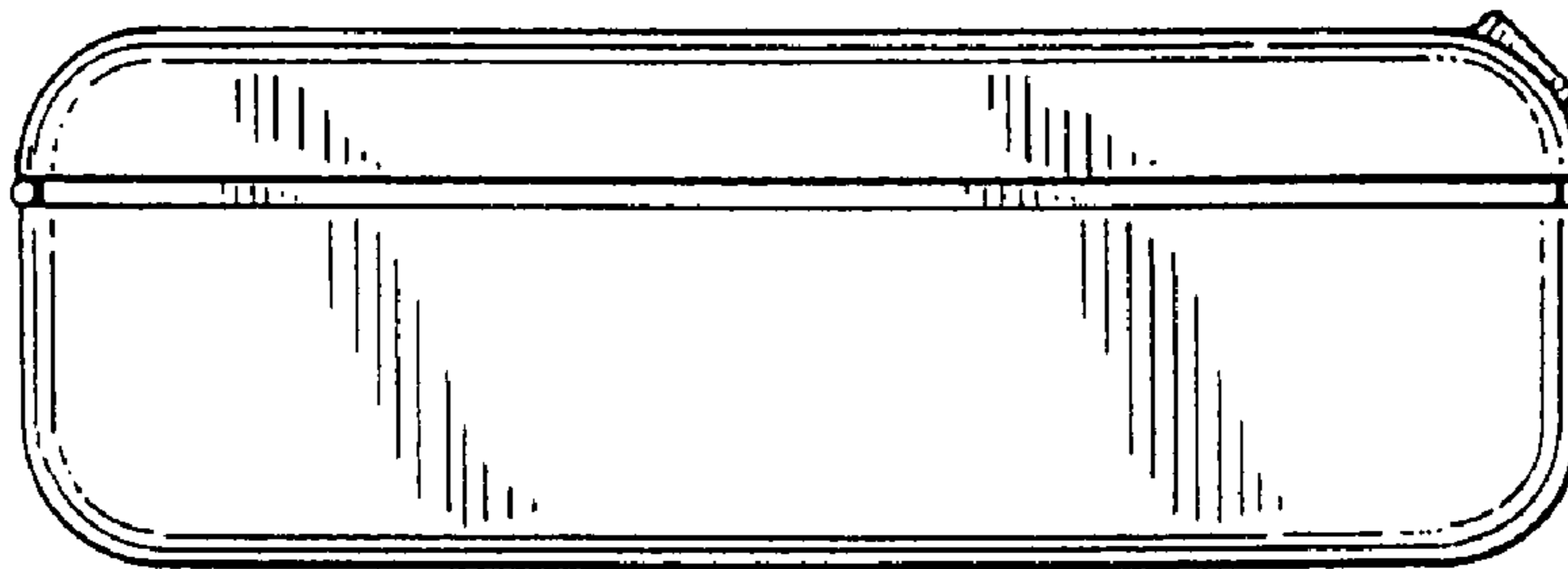


FIG. 5

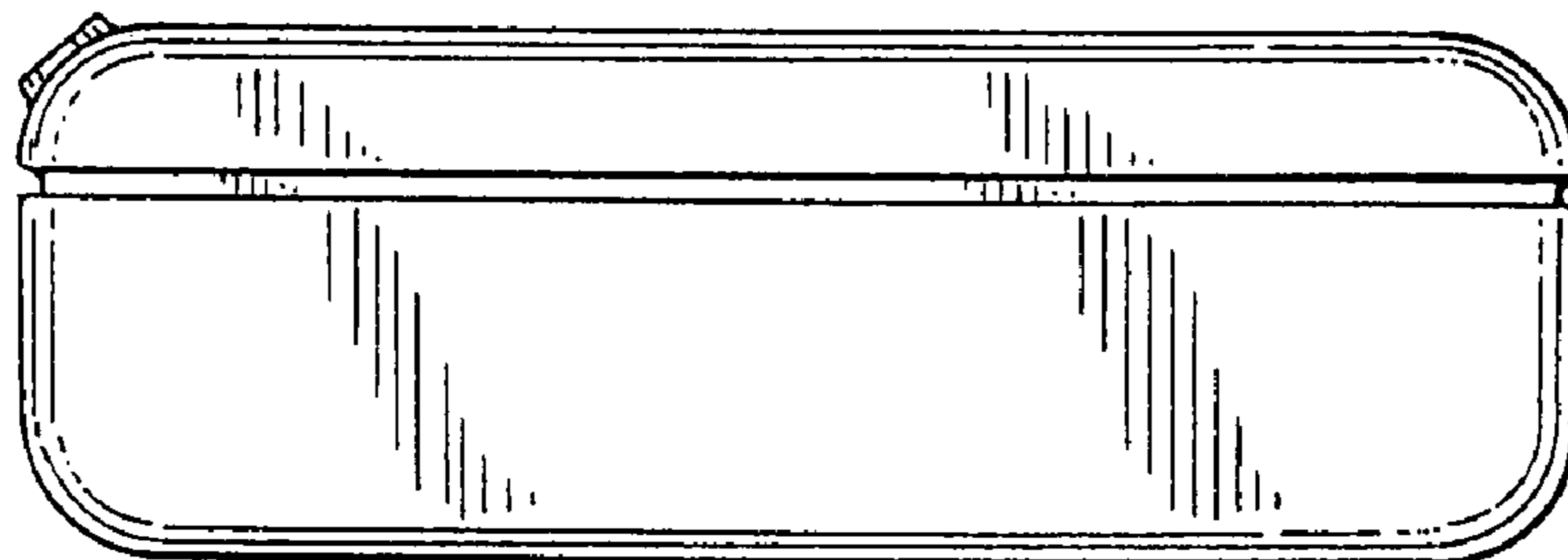


FIG. 6

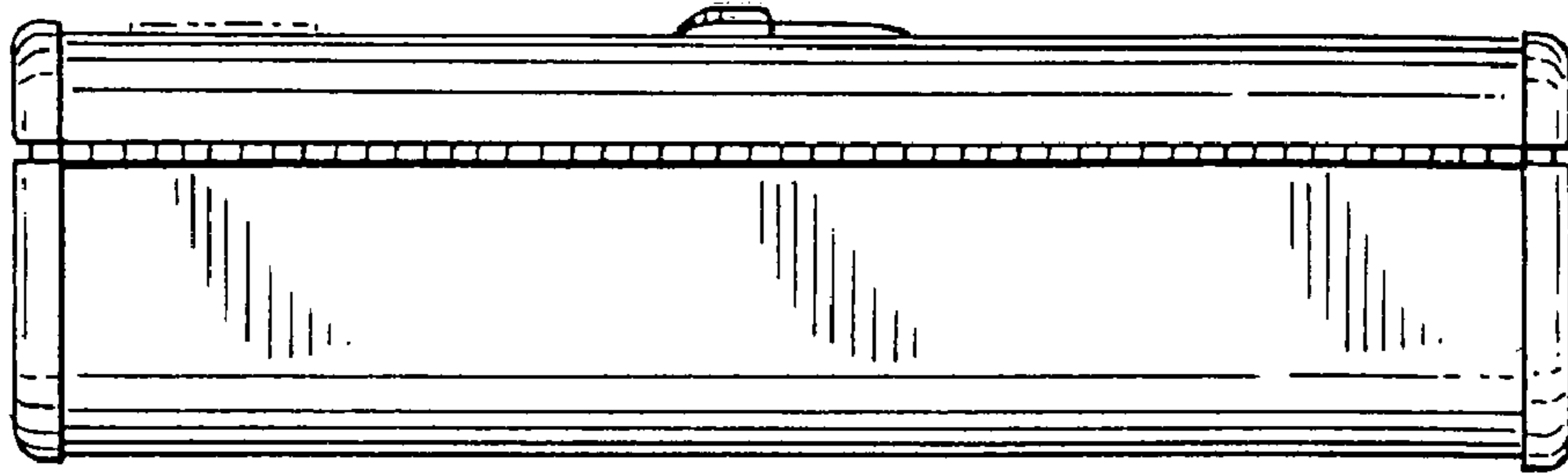


FIG. 7

