



US00D561992S

(12) **United States Design Patent**
Linsley

(10) **Patent No.:** **US D561,992 S**

(45) **Date of Patent:** **** Feb. 19, 2008**

(54) **NOVELTY MESSAGE CAPSULE**

(76) **Inventor:** **Lee Linsley**, 301 Los Osos Valley Rd.,
Los Osos, CA (US) 93402

(**) **Term:** **14 Years**

(21) **Appl. No.:** **29/246,646**

(22) **Filed:** **Apr. 29, 2006**

(51) **LOC (8) Cl.** **03-01**

(52) **U.S. Cl.** **D3/271.1; D3/302; D3/904**

(58) **Field of Classification Search** D3/201,
D3/203.1–203.2, 203.5, 205, 206, 211, 270,
D3/271.1, 273, 302, 904; D9/529, 600; D19/80,
D19/82; D24/104; 206/457, 528, 530, 532,
206/828; 424/451, 453, 456

See application file for complete search history.

(56) **References Cited**

U.S. PATENT DOCUMENTS

D120,734 S *	5/1940	Kahn	D9/429
2,349,430 A *	5/1944	Hiatt et al.	424/451
3,620,759 A *	11/1971	Maddox	426/78
D231,616 S *	5/1974	Hiltebrant et al.	D24/224
D235,215 S *	5/1975	Larsen	D24/104
5,332,096 A *	7/1994	Battaglia	206/532
D349,238 S *	8/1994	Haber	D3/203.2
D408,626 S *	4/1999	Lage	D3/203.5

D448,153 S *	9/2001	Schoenfeld	D3/201
D458,837 S *	6/2002	Cragie	D3/203.2
D499,653 S *	12/2004	Karim	D9/529
D524,037 S *	7/2006	Van Horn et al.	D3/203.1
2005/0079214 A1 *	4/2005	Cooker	424/451

* cited by examiner

Primary Examiner—Philip S. Hyder
Assistant Examiner—R. L. (Ulm) Cody

(57) **CLAIM**

The ornamental design for a novelty message capsule, as shown and described.

DESCRIPTION

FIG. 1 is a top view showing the design of the novelty message capsule.

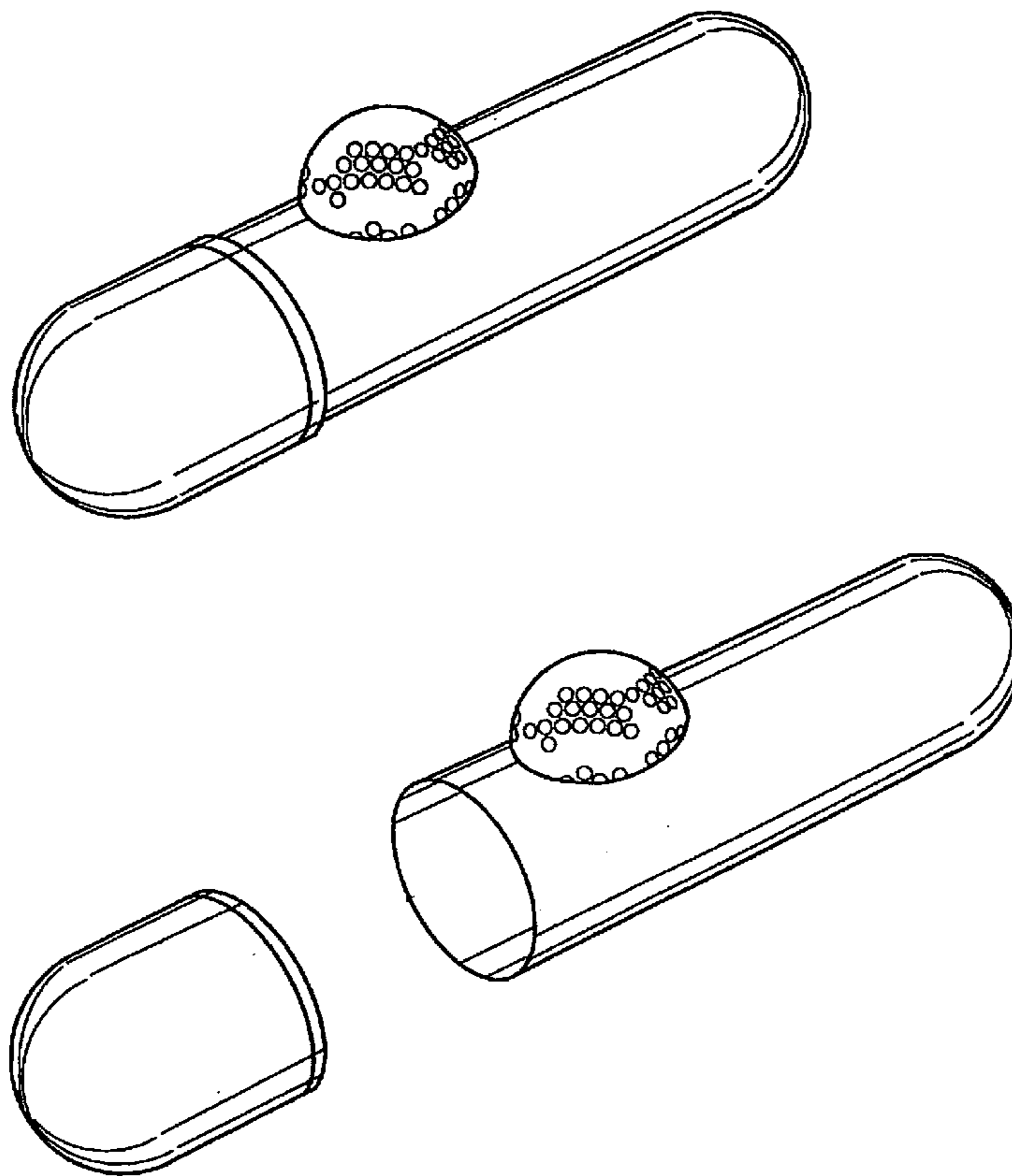
FIG. 2 is a front view of the design of the novelty message capsule.

FIG. 3 is a side view showing the design of the novelty message capsule.

FIG. 4 is a perspective view showing the design of the novelty message capsule; and,

FIG. 5 is another perspective view showing the design of the novelty message capsule with cap associated with the capsule removed.

1 Claim, 2 Drawing Sheets



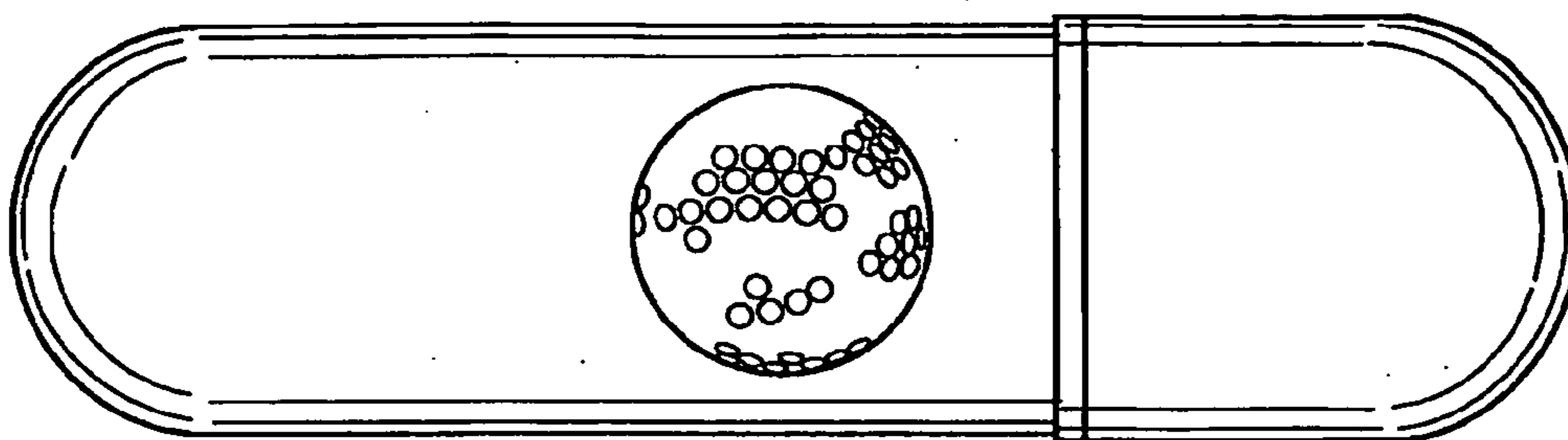


Fig. 1

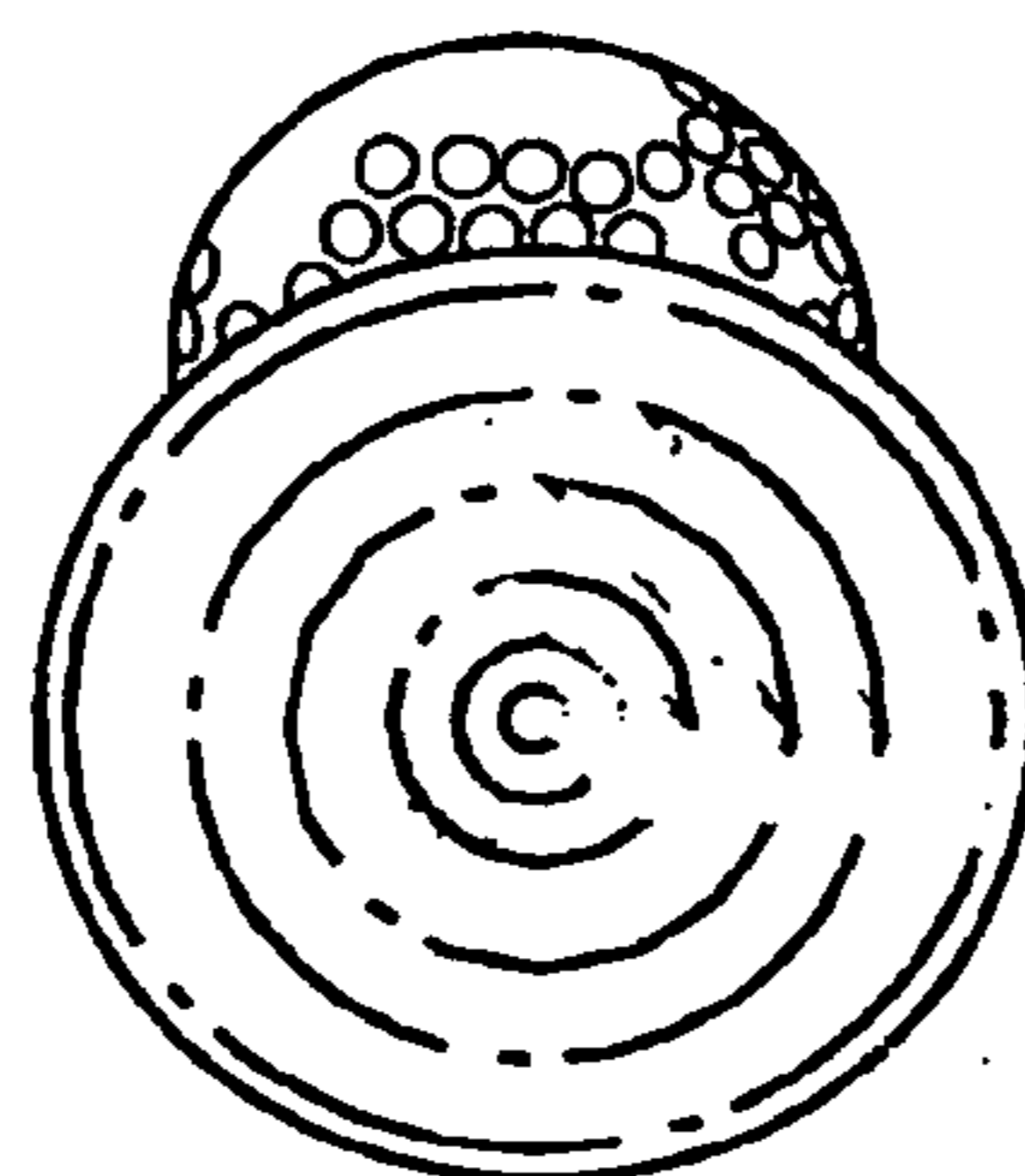


Fig. 2

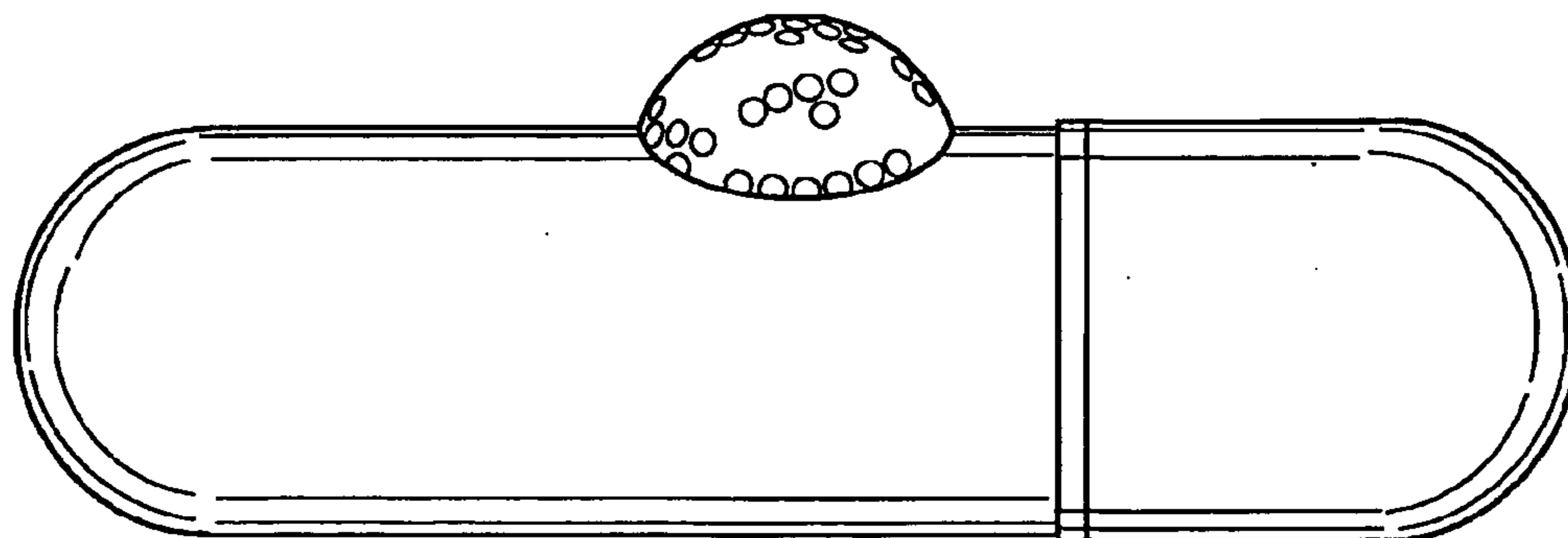


Fig. 3

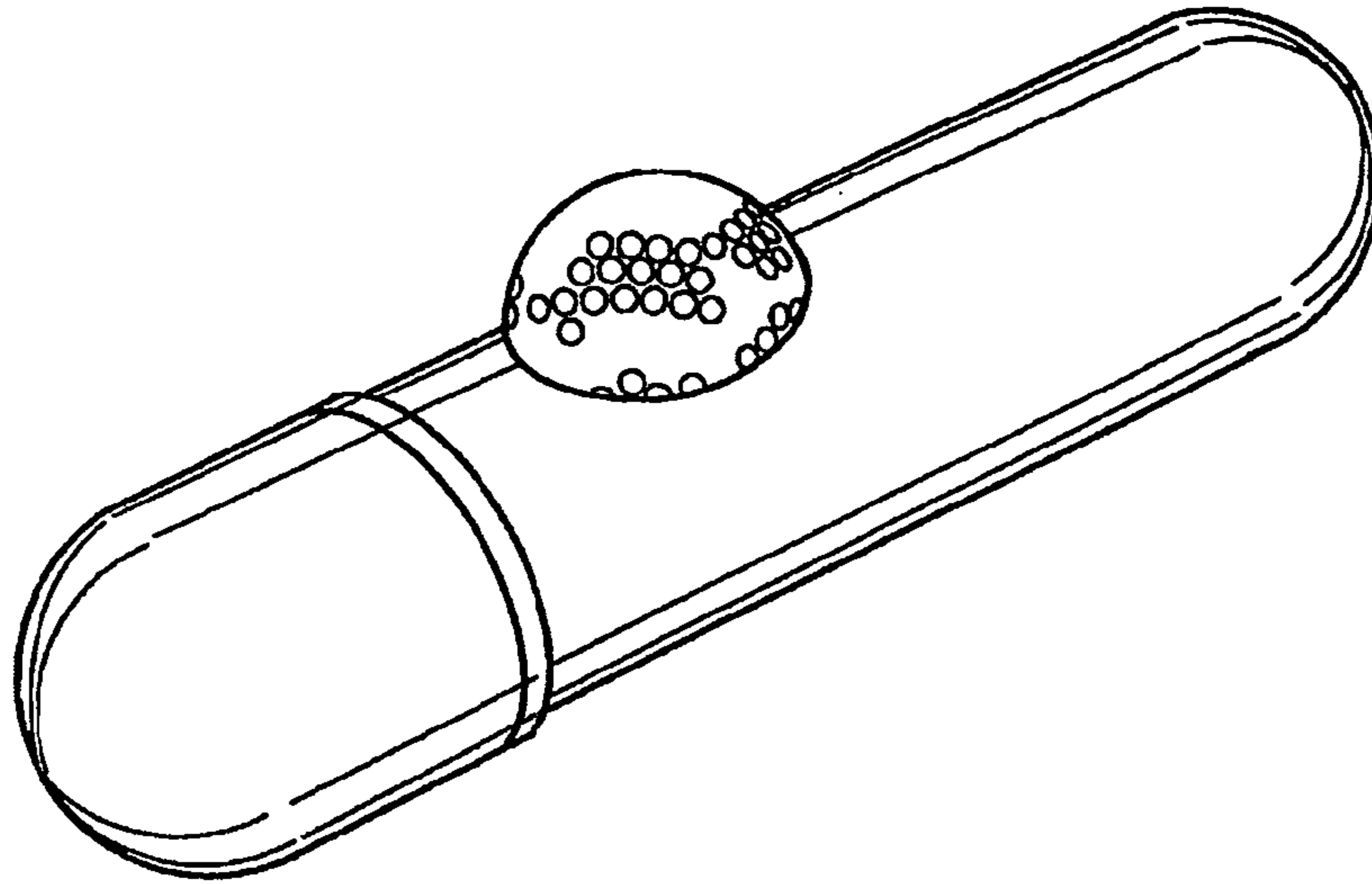


Fig. 4

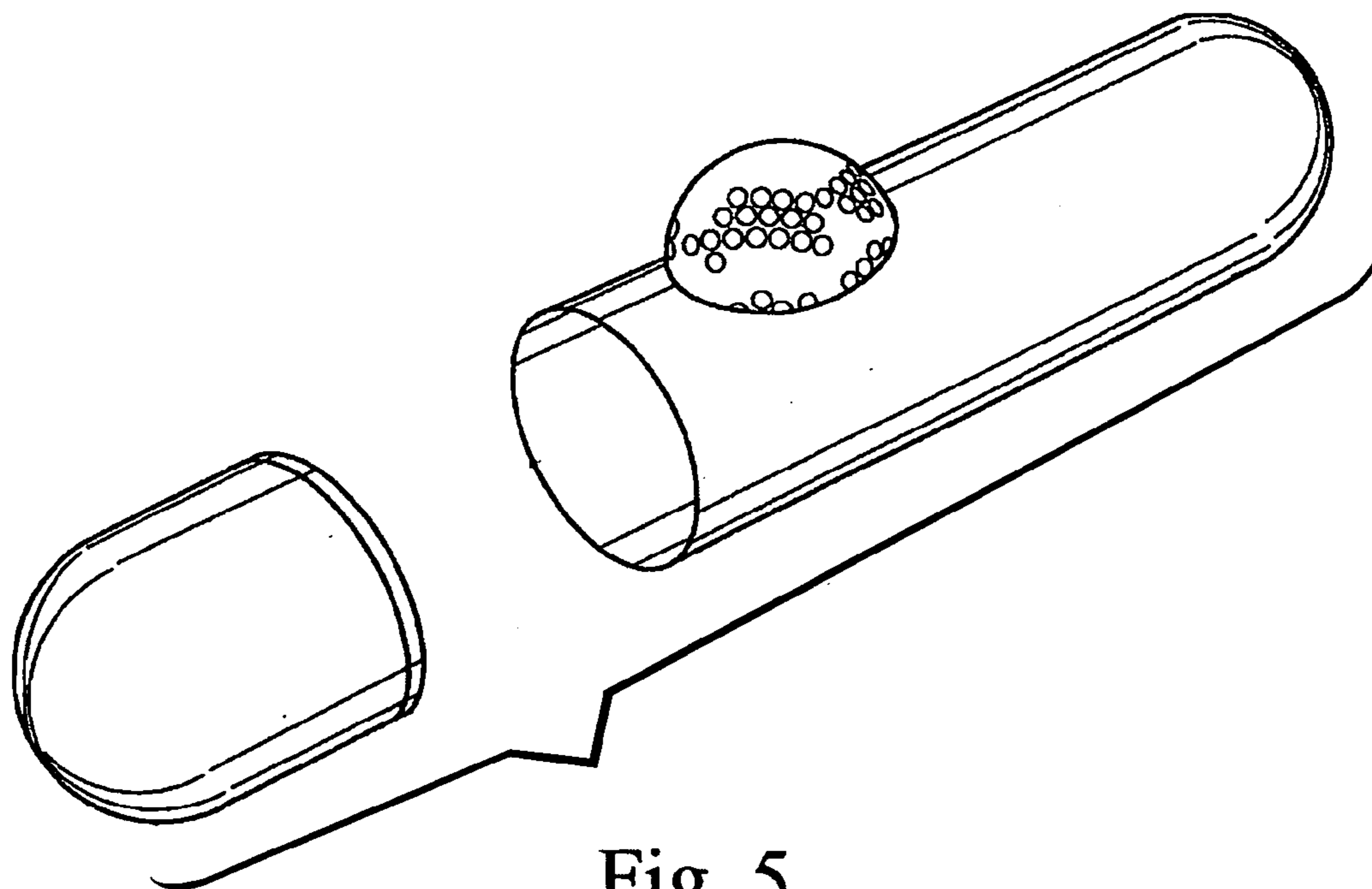


Fig. 5