



US00D561991S

(12) **United States Design Patent**
Ioime et al.

(10) **Patent No.:** **US D561,991 S**
(45) **Date of Patent:** **** Feb. 19, 2008**

(54) **GOLF ACCESSORY HOLDER**

(76) Inventors: **Joseph Ioime**, 20 Kelly Crest Rd.,
Branford, CT (US) 06405; **Jack**
Gambardella, 277 Chapel St. 2K, New
Haven, CT (US) 06513

(**) Term: **14 Years**

(21) Appl. No.: **29/286,511**

(22) Filed: **May 9, 2007**

(51) **LOC (8) Cl.** **03-01**

(52) **U.S. Cl.** **D3/221**

(58) **Field of Classification Search** D3/221,
D3/224, 226, 229, 257; 224/919, 918, 666,
224/669, 668, 670, 245; 206/315.1; D21/796,
D21/789

See application file for complete search history.

(56) **References Cited**

U.S. PATENT DOCUMENTS

| | | | | | |
|------------|---|---------|-----------------|-------|--------|
| D448,555 S | * | 10/2001 | DeLong | | D3/221 |
| D520,740 S | * | 5/2006 | Giordano et al. | | D3/221 |
| D537,245 S | * | 2/2007 | Crandall | | D3/221 |
| D543,695 S | * | 6/2007 | Sands | | D3/221 |

* cited by examiner

Primary Examiner—Catherine R. Oliver
(74) *Attorney, Agent, or Firm*—Melvin I. Stoltz

(57) **CLAIM**

The ornamental design for the golf accessory holder, as shown and described.

DESCRIPTION

FIG. 1 is a perspective view of the golf accessory holder showing our new design;

FIG. 2 is a front elevational view thereof;

FIG. 3 is a side elevational view thereof, looking from the left side of FIG. 2;

FIG. 4 is a rear elevational view thereof;

FIG. 5 is a side elevational view thereof, looking from the right side of FIG. 2;

FIG. 6 is a top plan view thereof;

FIG. 7 is a bottom plan view thereof;

FIG. 8 is a front elevational view of an alternate embodiment of the golf accessory holder showing our new design;

FIG. 9 is a side elevational view thereof, looking from the left side of FIG. 8;

FIG. 10 is a side elevational view thereof, looking from the right side of FIG. 8;

FIG. 11 is a rear elevational view thereof;

FIG. 12 is a top plan view thereof; and,

FIG. 13 is a bottom plan view thereof.

The broken line showing of environment in the drawings is included for the purpose of illustrating only and forms no part of the claimed design.

1 Claim, 5 Drawing Sheets

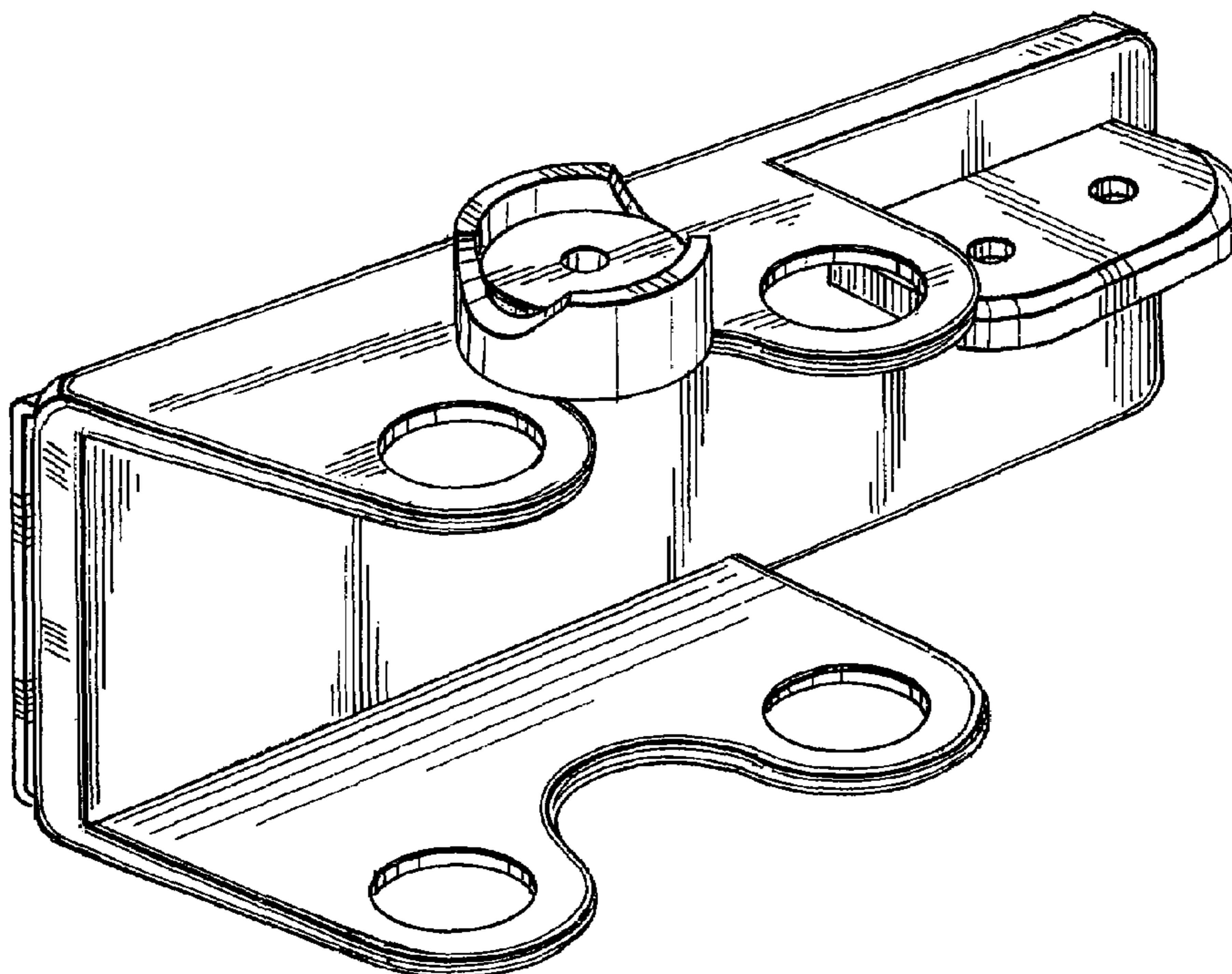


FIG. 1

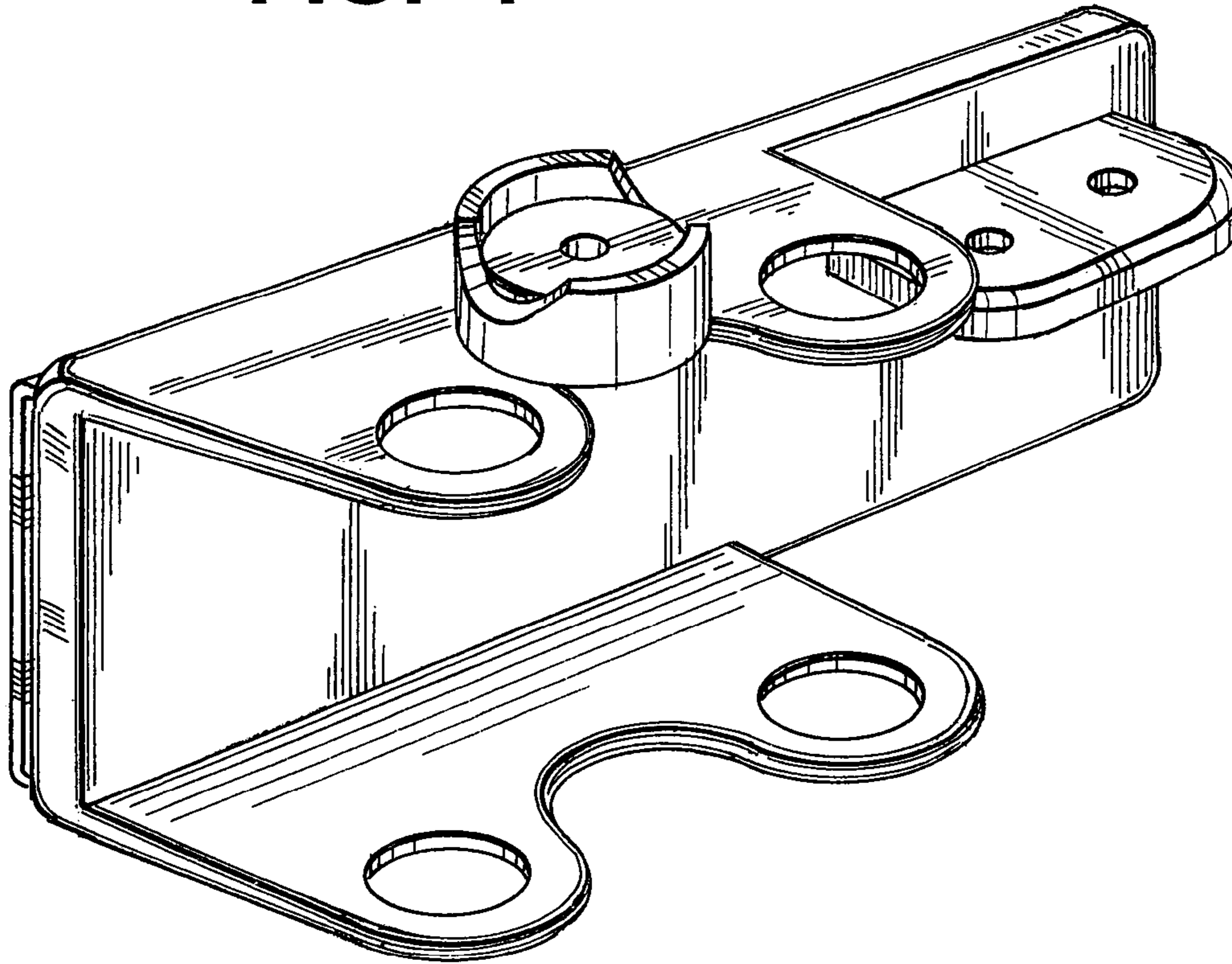
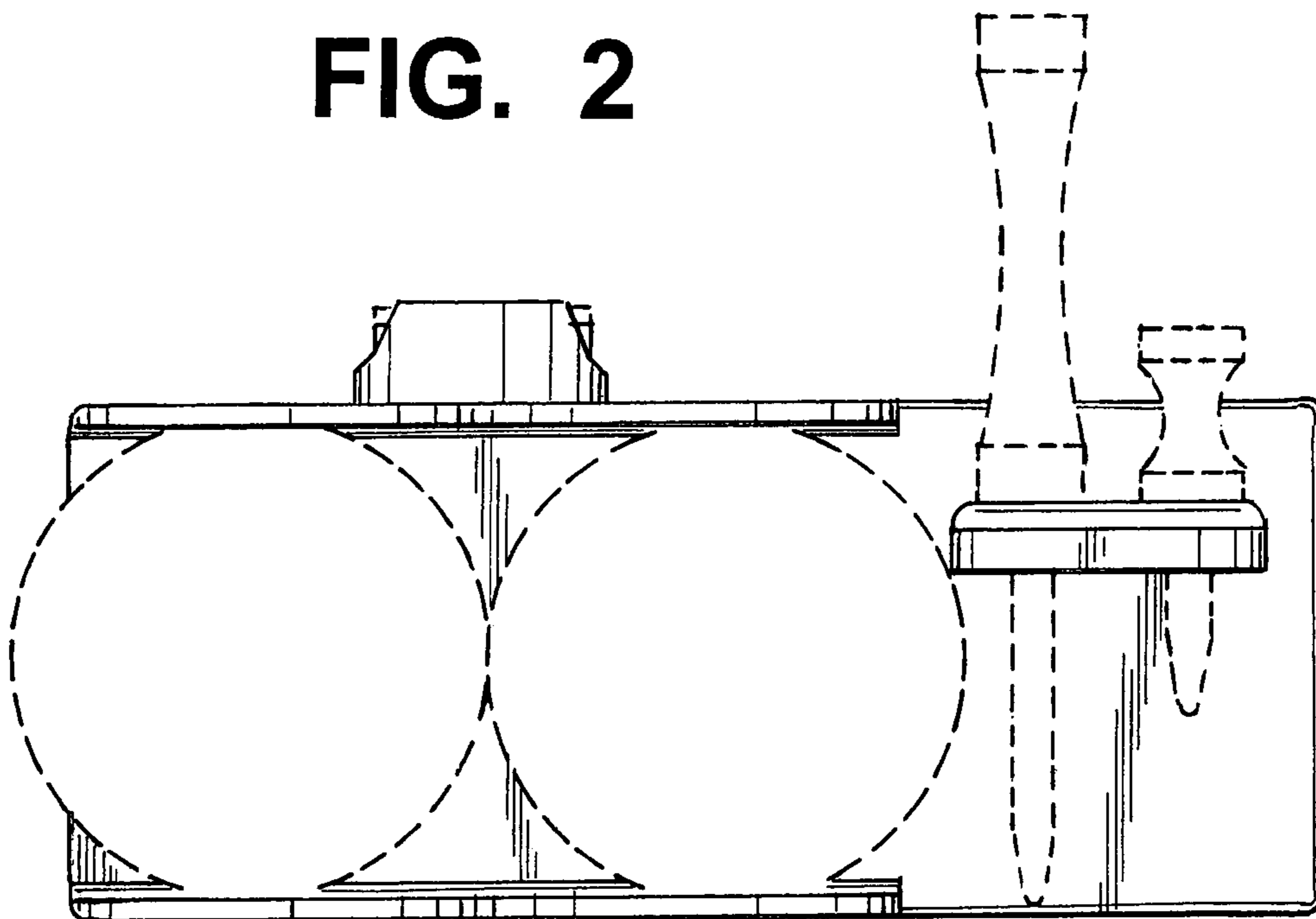


FIG. 2



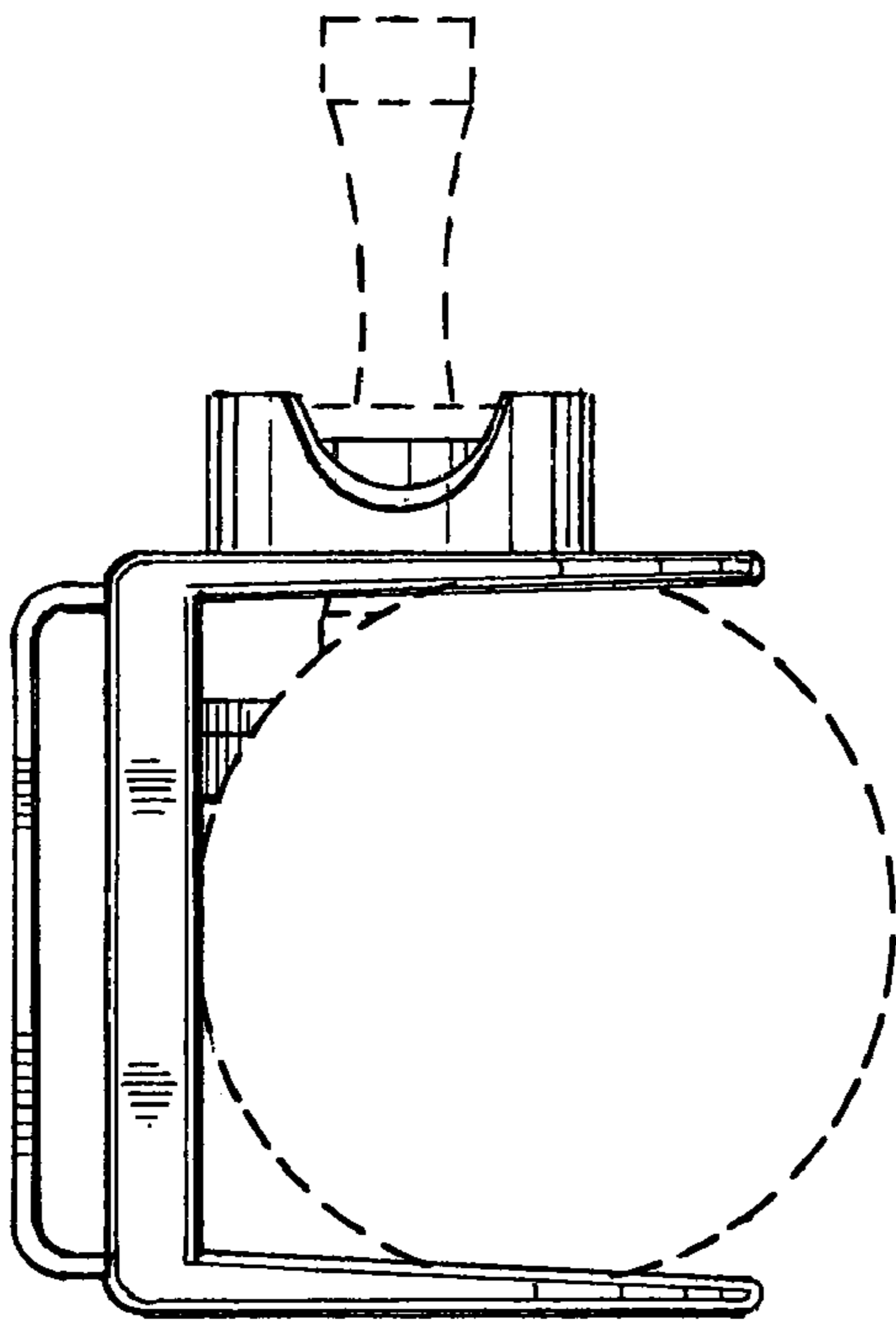


FIG. 3

FIG. 4

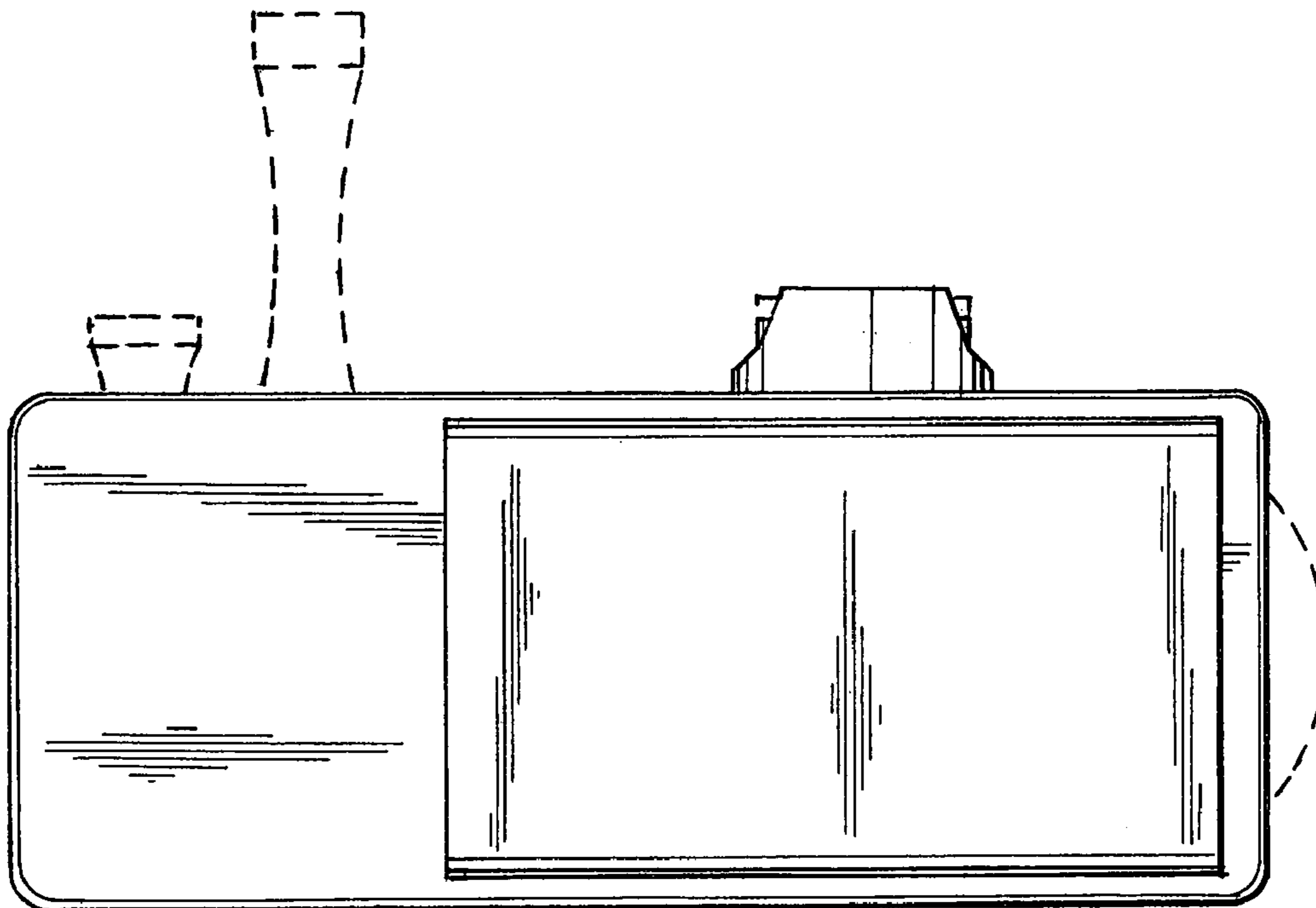


FIG. 5

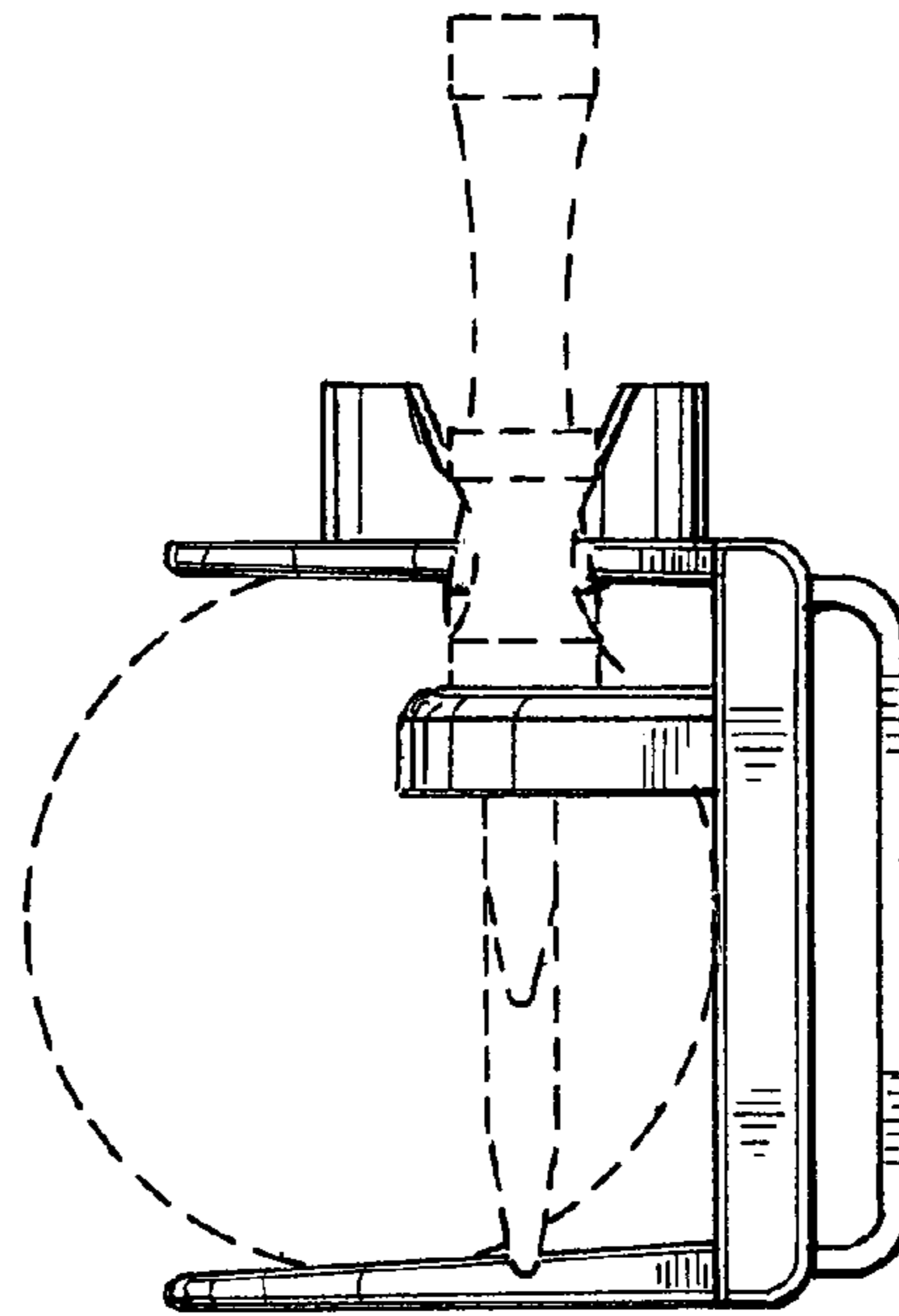


FIG. 6

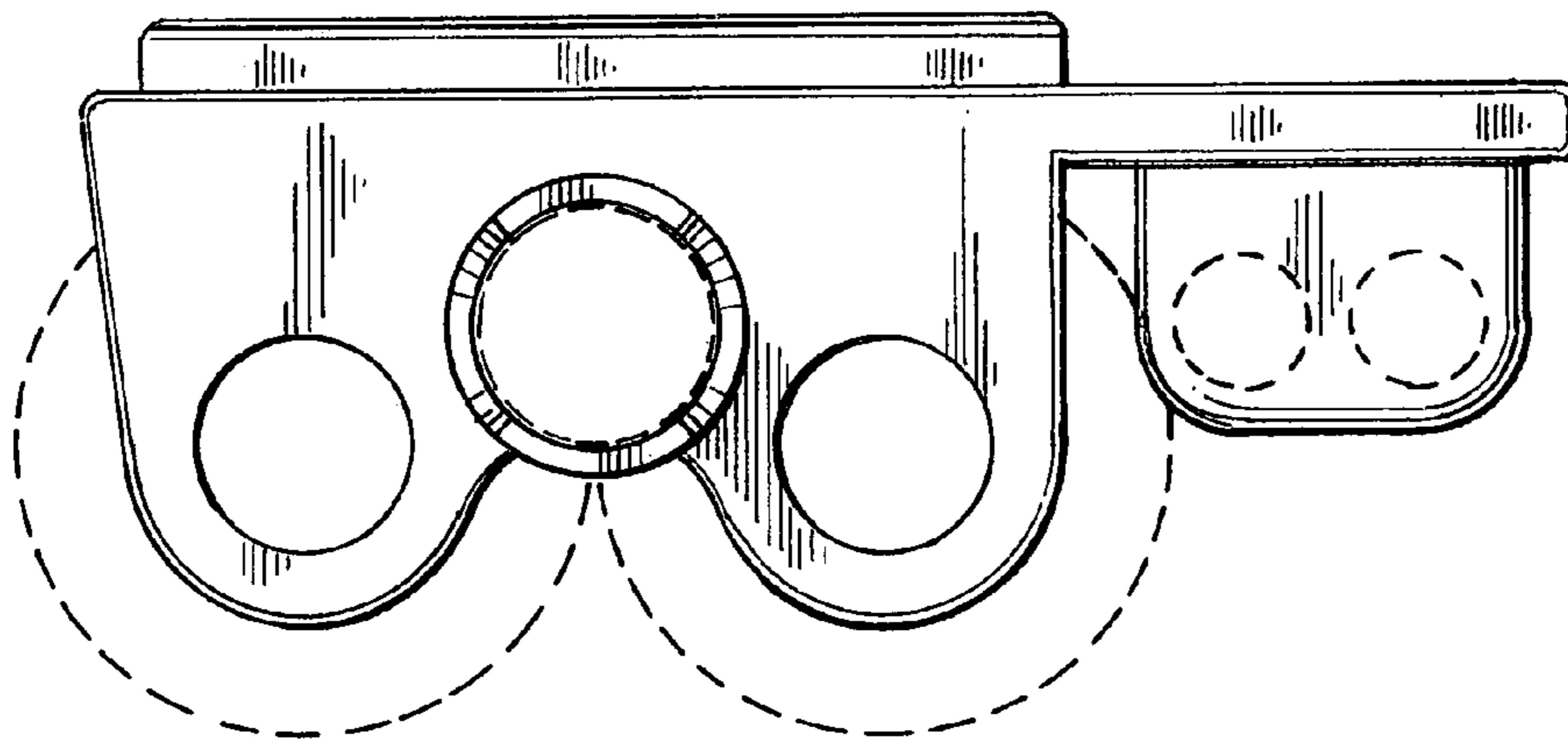


FIG. 7

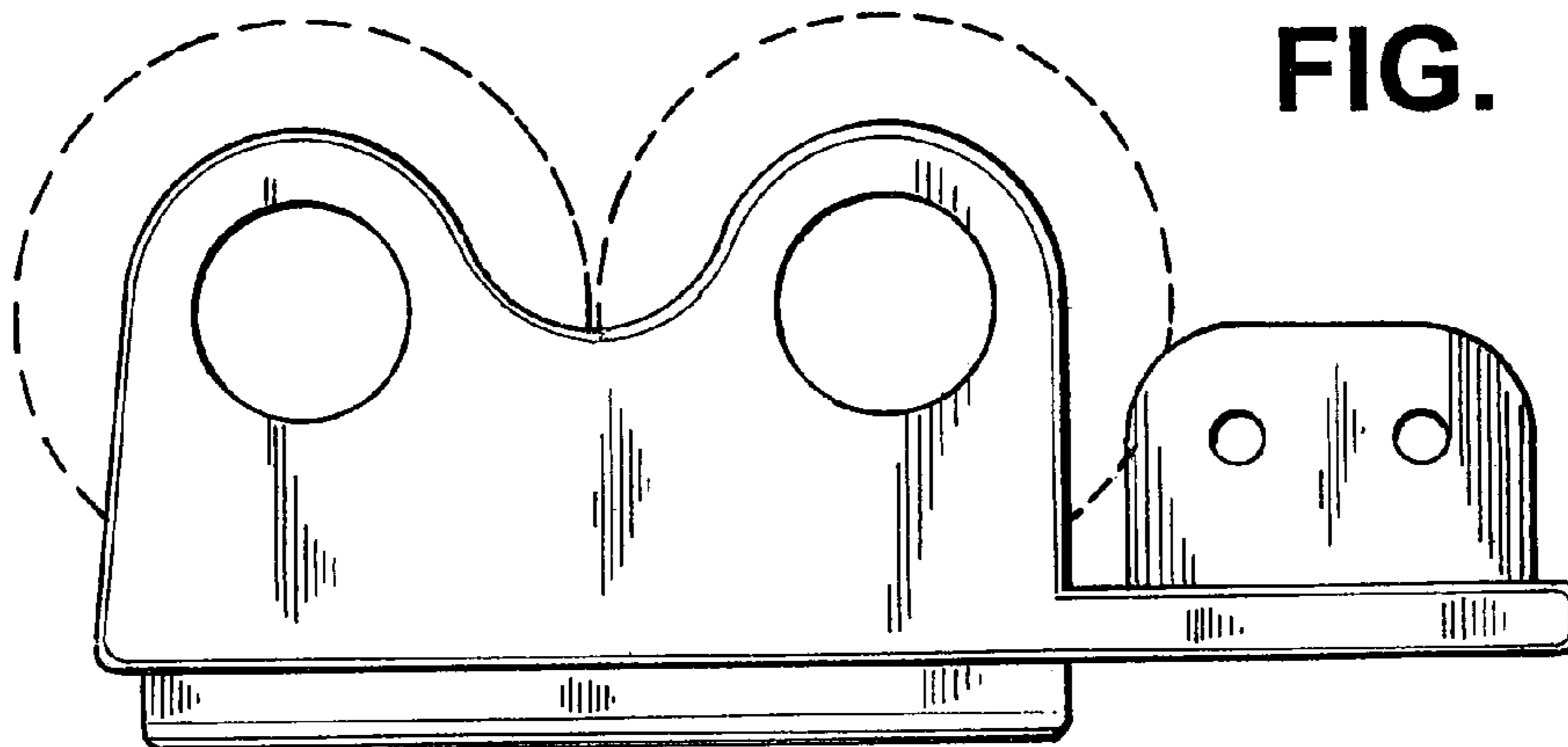


FIG. 8

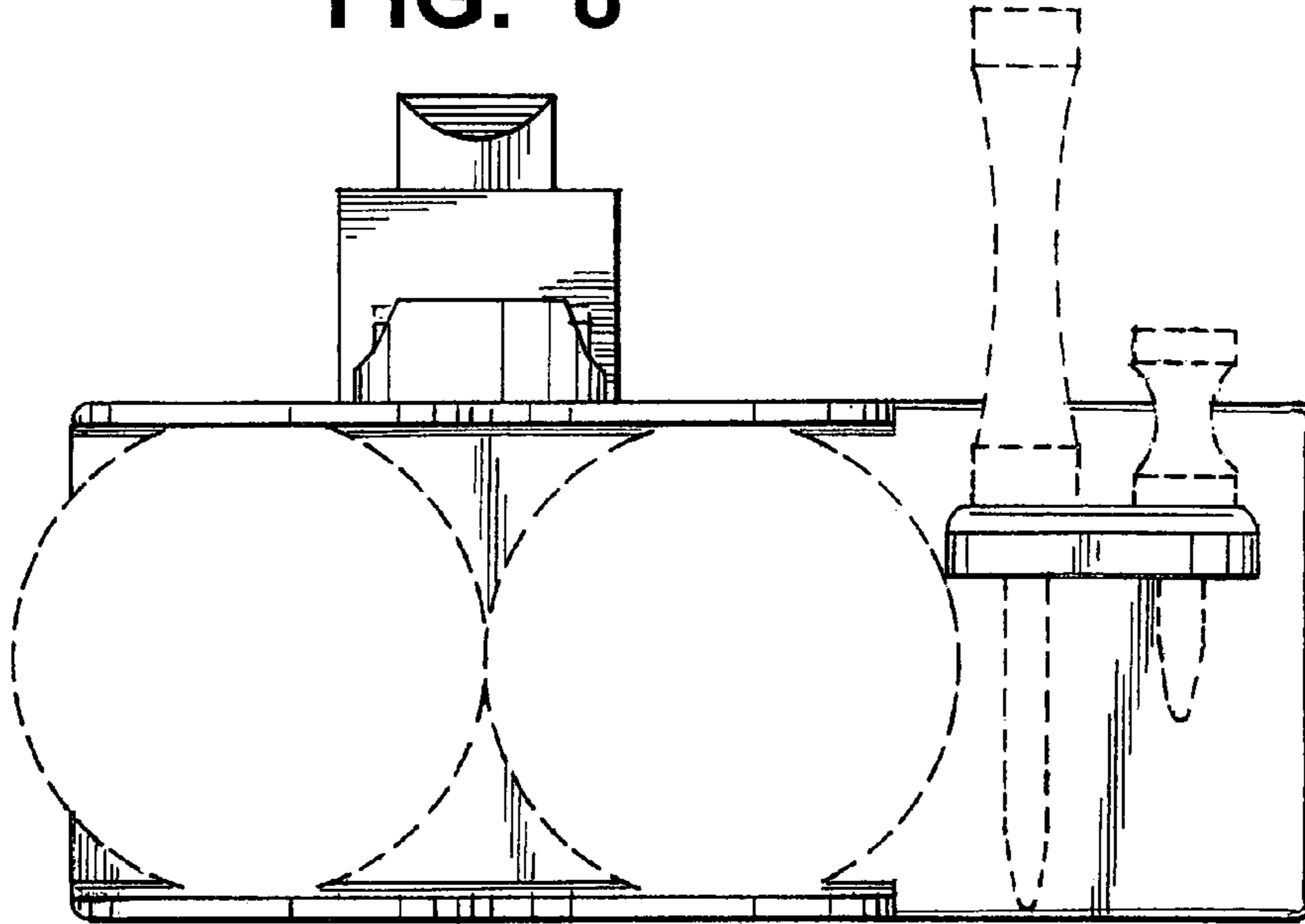


FIG. 9

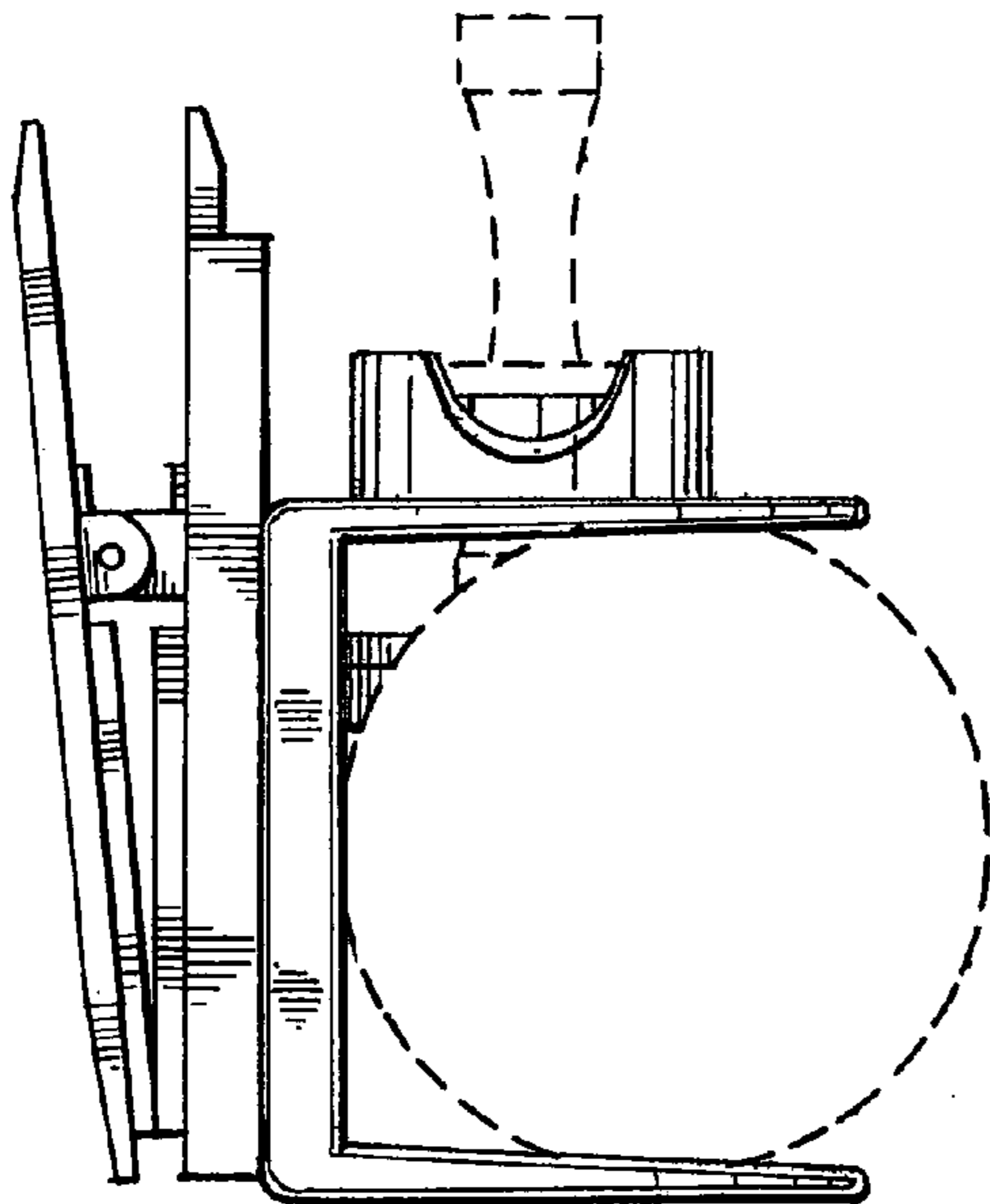


FIG. 10

