



US00D561990S

(12) **United States Design Patent**  
**Berg et al.**

(10) **Patent No.:** **US D561,990 S**

(45) **Date of Patent:** **\*\* Feb. 19, 2008**

(54) **PERCUSSION CASE**

(76) Inventors: **Michael Berg**, 4801 Railroad Ave., East Chicago, IN (US) 46312; **Irwin Berg**, 4801 Railroad Ave., East Chicago, IN (US) 46312

(\*\*) Term: **14 Years**

(21) Appl. No.: **29/197,865**

(22) Filed: **Jan. 21, 2004**

(51) **LOC (8) Cl.** ..... **03-01**

(52) **U.S. Cl.** ..... **D3/204**

(58) **Field of Classification Search** ..... D3/201, D3/204, 269, 272-273, 276, 282, 284, 292, D3/294-295; D17/20, 22, 99; 84/314, 453; 190/100, 900; 211/85.6; 224/910; 150/162  
See application file for complete search history.

(56) **References Cited**

**U.S. PATENT DOCUMENTS**

D247,197 S *	2/1978	Mikosz	.....	D3/204
D281,289 S *	11/1985	Graham	.....	D3/204
D283,464 S *	4/1986	Ogden	.....	D3/204
D439,048 S *	3/2001	Sanderson	.....	D3/302
D480,211 S *	10/2003	Wolf	.....	D3/294
D493,284 S *	7/2004	Lee	.....	D3/294
6,891,095 B2 *	5/2005	Charters	.....	84/320
D516,810 S *	3/2006	Galletti	.....	D3/282

\* cited by examiner

*Primary Examiner*—Ian Simmons

*Assistant Examiner*—Anna Burmeister

(74) *Attorney, Agent, or Firm*—David I. Roche; Baker & McKenzie LLP

(57) **CLAIM**

The ornamental design for a percussion case, as shown and described.

**DESCRIPTION**

FIG. 1 is a top plan view of a percussion case embodying my invention;

FIG. 2 is a bottom plan view thereof;

FIG. 3 is a front elevational view thereof;

FIG. 4 is a rear elevational view thereof;

FIG. 5 is a left side elevational view thereof;

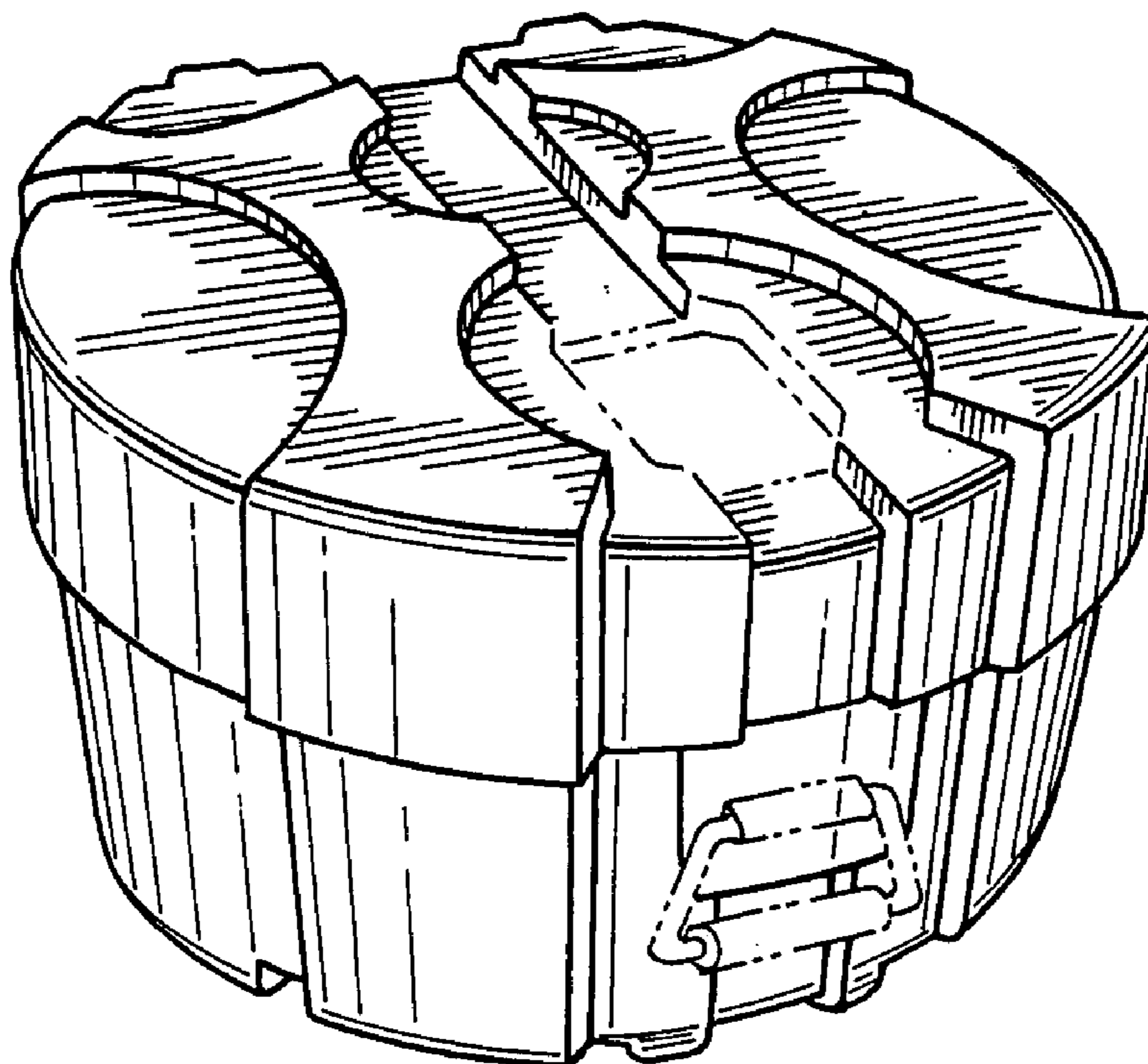
FIG. 6 is a right side elevational view thereof;

FIG. 7 is a top, front, left side perspective view thereof; and,

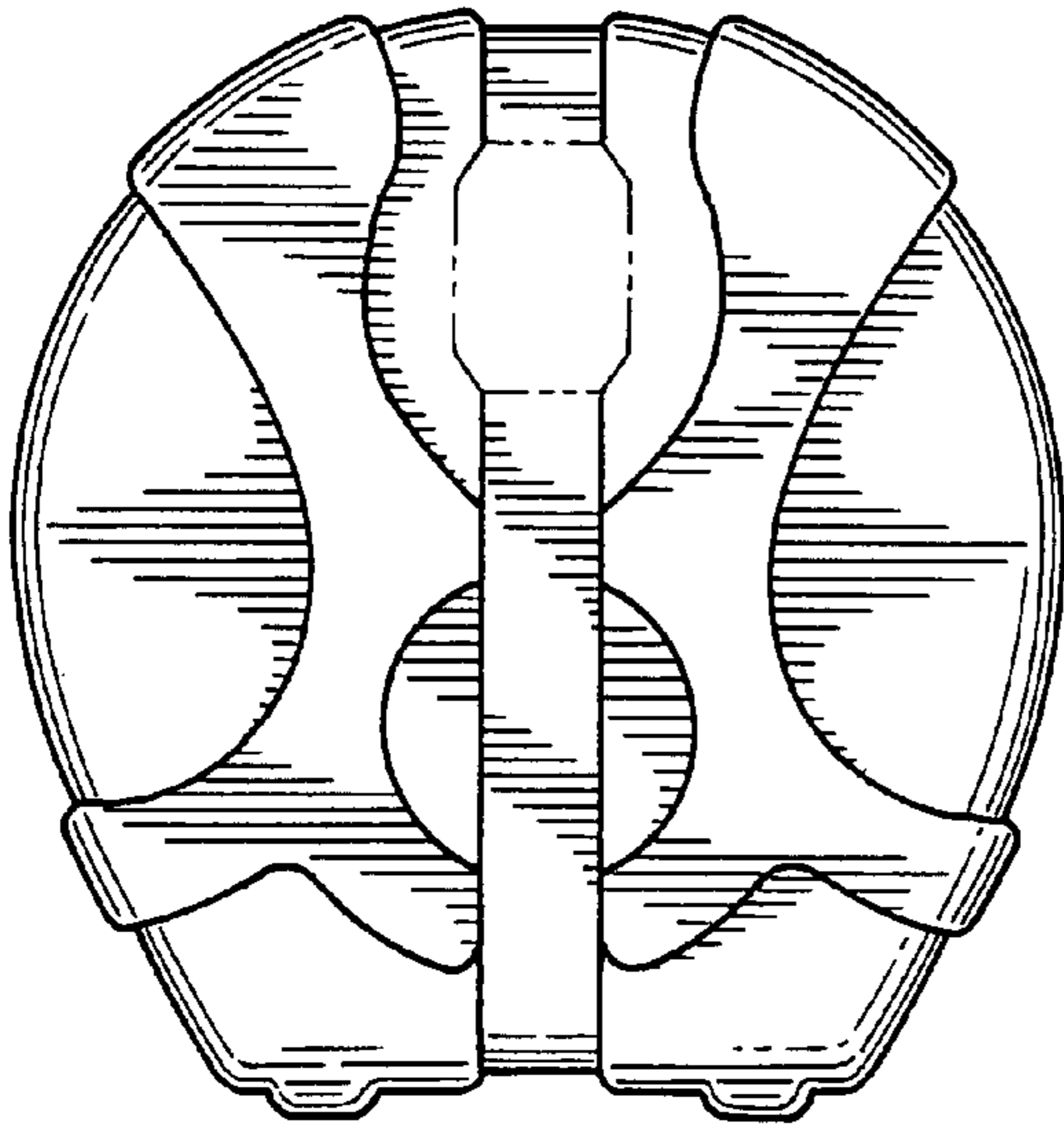
FIG. 8 is a top, rear, right side perspective view thereof, with multiple unclaimed percussion cases shown in the staked position.

The broken lines shown in the drawings are for illustrative purposes only and form no part of the claimed design.

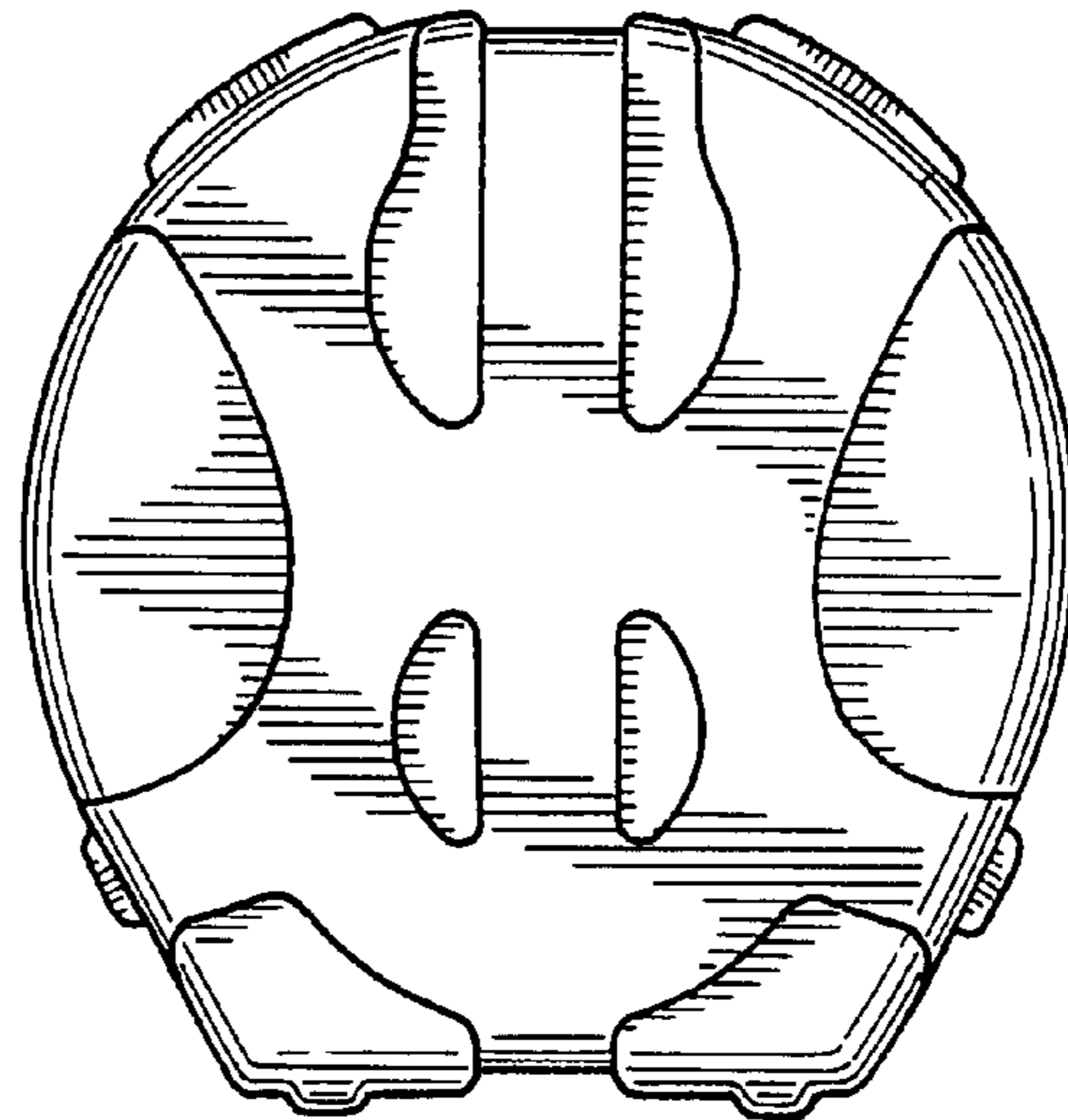
**1 Claim, 3 Drawing Sheets**



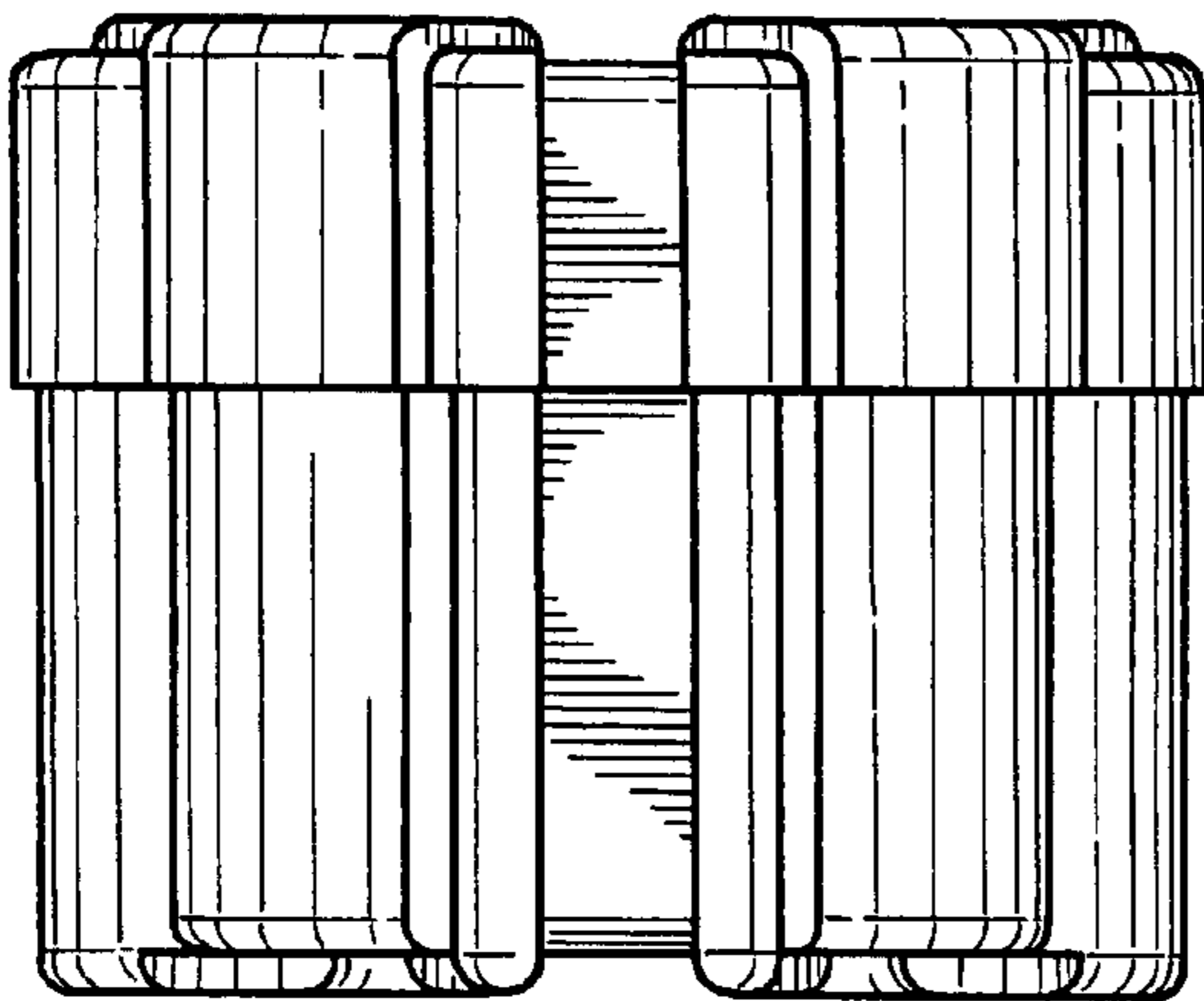
*FIG. 1*



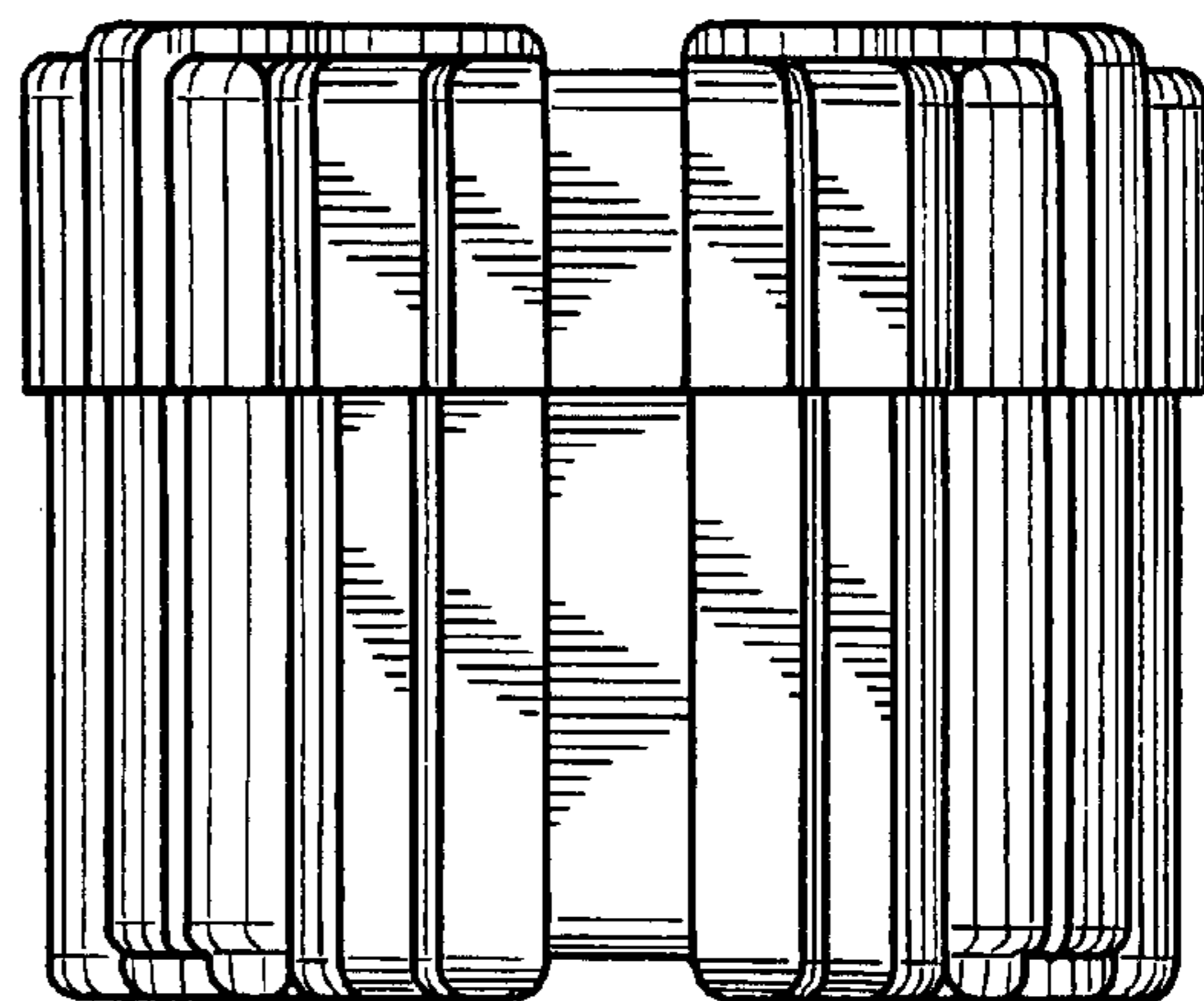
*FIG. 2*



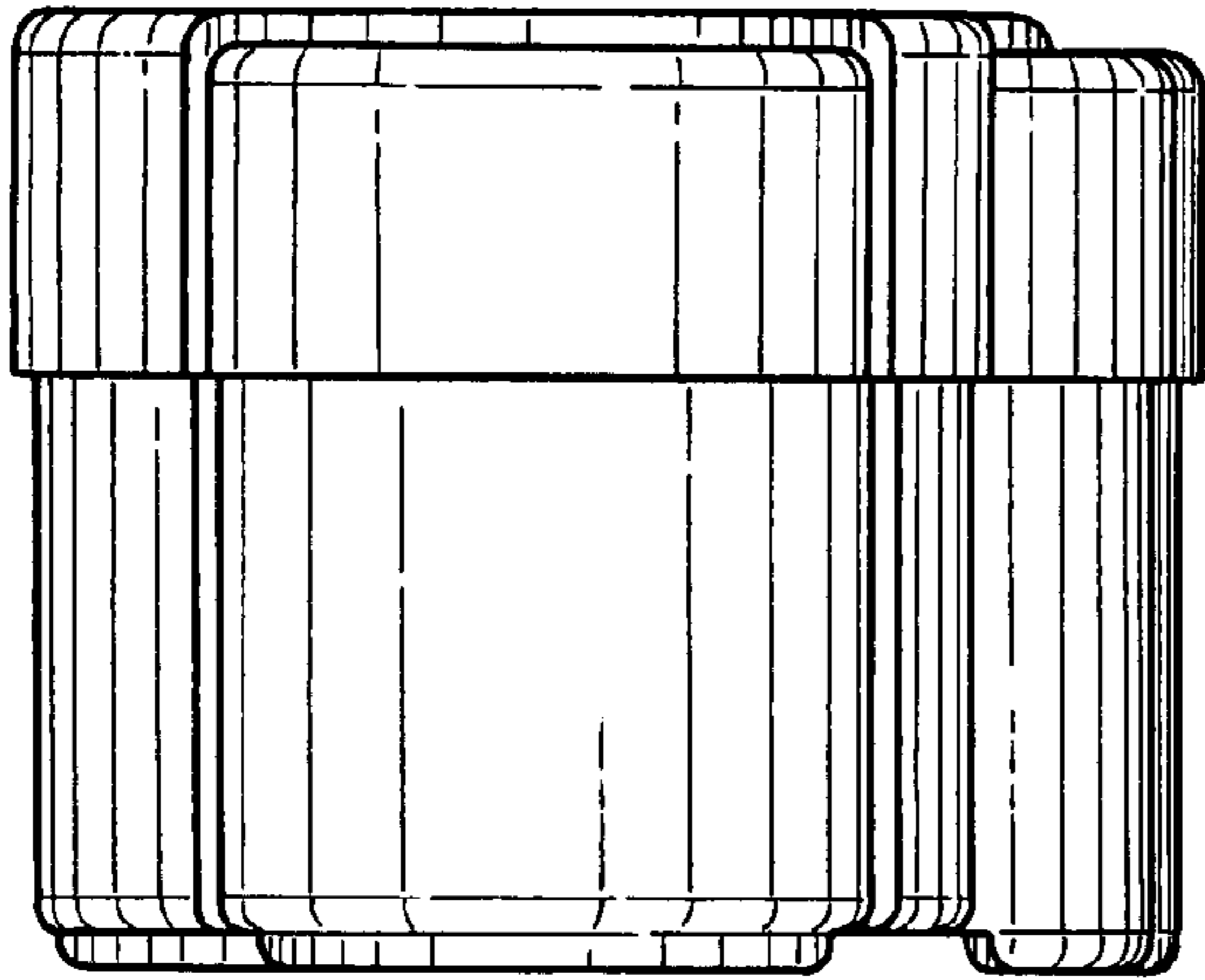
*FIG. 3*



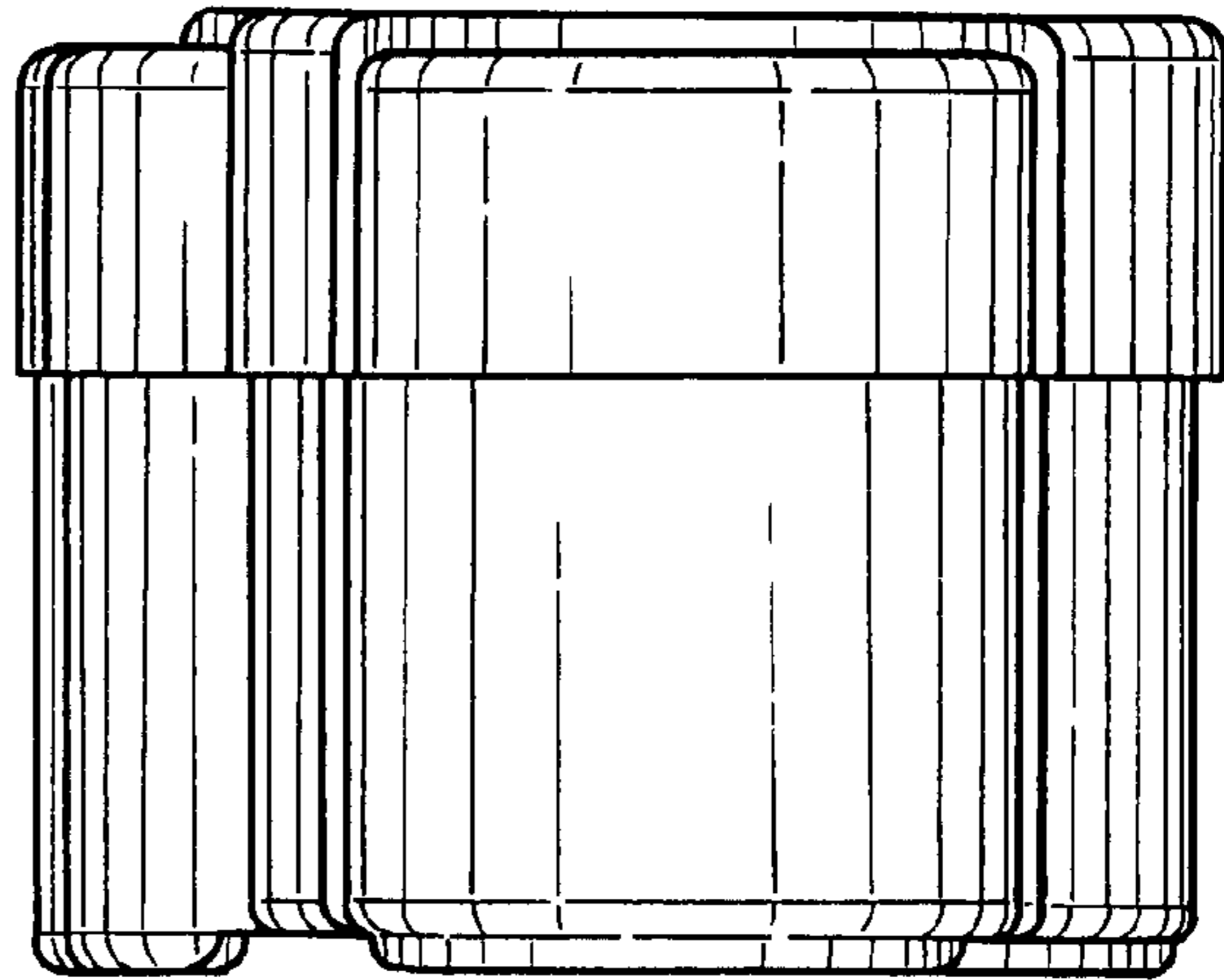
*FIG. 4*



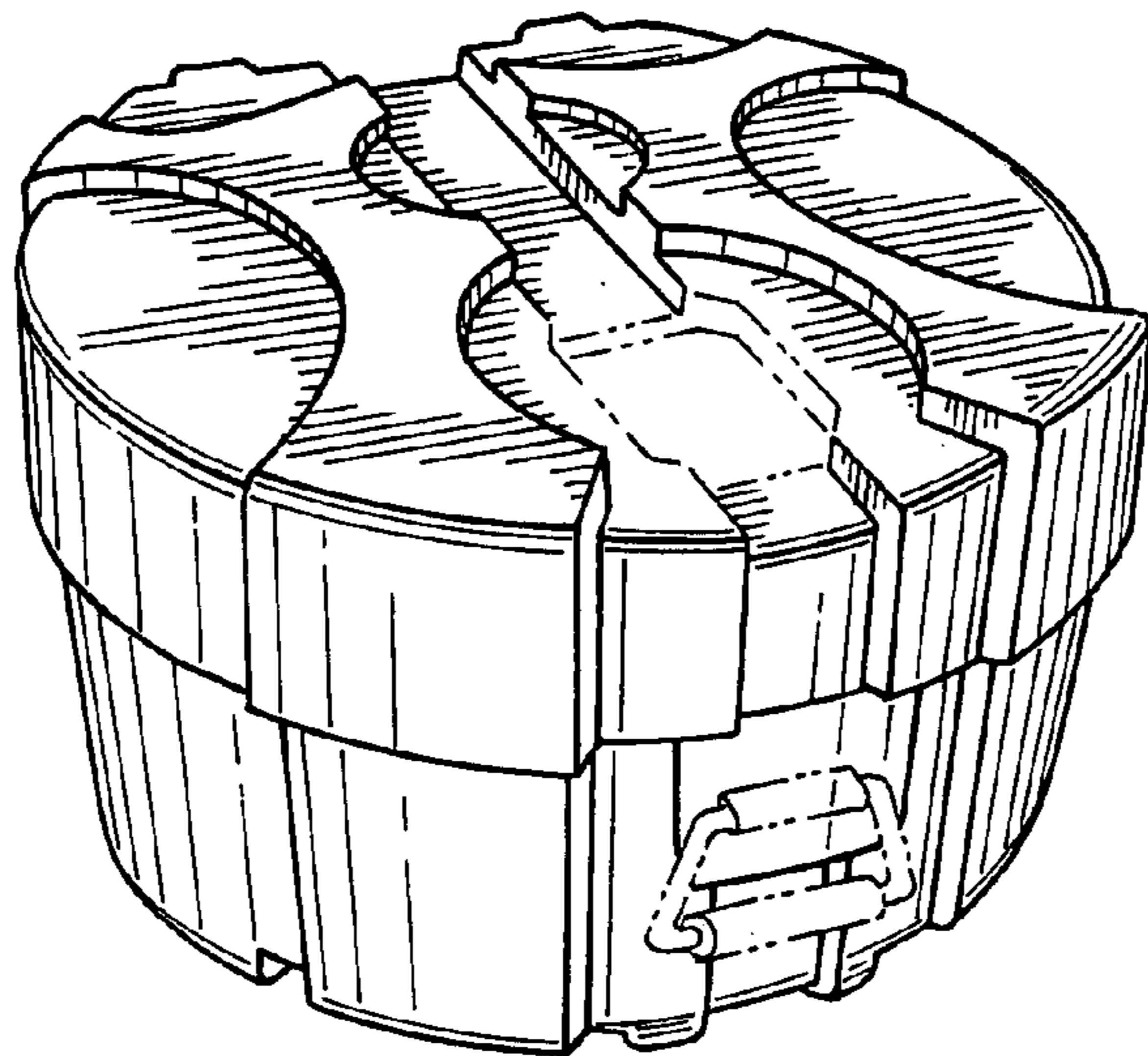
*FIG. 5*



*FIG. 6*



*FIG. 7*



**FIG. 8**

AMENDED

