

US00D561989S

(12) **United States Design Patent**
Jones

(10) **Patent No.:** **US D561,989 S**

(45) **Date of Patent:** **** Feb. 19, 2008**

(54) **EMERGENCY LIGHTING CONTAINER**

(76) Inventor: **Jerry Lee Jones**, 98 W. Jeffrey Pl.,
Columbus, OH (US) 43214

(**) Term: **14 Years**

(21) Appl. No.: **29/279,420**

(22) Filed: **Apr. 30, 2007**

(51) **LOC (8) Cl.** **03-01**

(52) **U.S. Cl.** **D3/201**

(58) **Field of Classification Search** D3/201,
D3/202, 205, 203, 273, 290, 315, 294, 319,
D3/270-271; D28/76-77; D9/414, 420,
D9/423, 430; D19/77; 206/265, 268, 370,
206/455, 308, 380, 250, 362, 755; D27/189
See application file for complete search history.

(56) **References Cited**

U.S. PATENT DOCUMENTS

- D409,329 S * 5/1999 Bucher et al. D27/189
- D463,907 S * 10/2002 Lemoine D3/205
- D464,791 S * 10/2002 Lemoine D3/205
- 7,128,215 B2 * 10/2006 Danechi 206/755
- D537,244 S * 2/2007 Danechi D3/205

- D549,093 S * 8/2007 Weakland D9/420
- D549,096 S * 8/2007 Ayats et al. D9/430
- 2002/0121449 A1 * 9/2002 Bowie 206/362

* cited by examiner

Primary Examiner—Catherine R. Oliver
(74) *Attorney, Agent, or Firm*—Jason H. Foster; Kremblas,
Foster, Philips & Pollick

(57) **CLAIM**

The ornamental design for an emergency lighting container,
as shown.

DESCRIPTION

FIG. 1 is a front perspective view of an emergency lighting
container showing my new design.

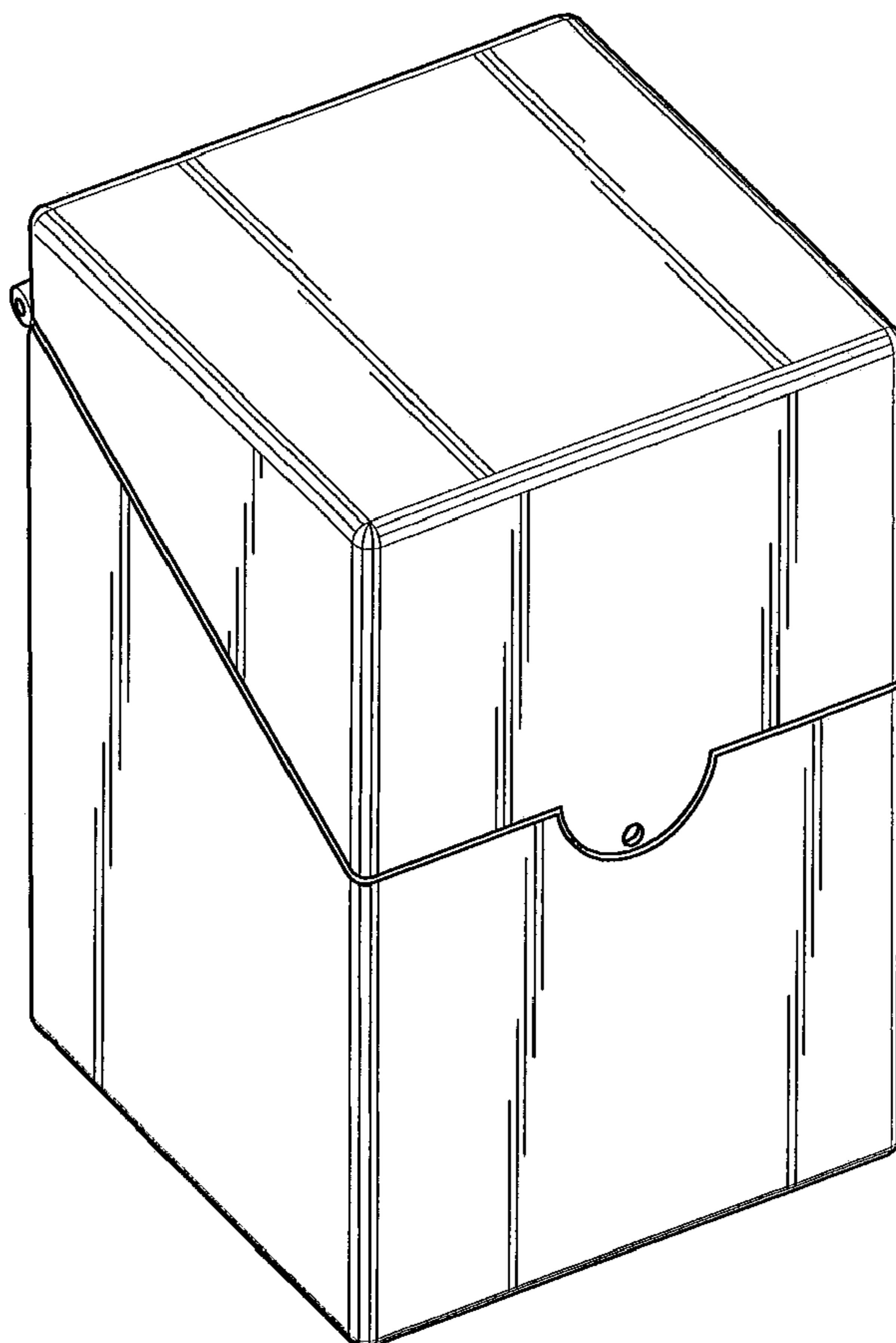
FIG. 2 is a front view thereof.

FIG. 3 is a rear view thereof.

FIG. 4 is a left side view thereof. The right side view is a
mirror image of the left side view; and,

FIG. 5 is a top view thereof. The bottom view is identical to
the top view.

1 Claim, 3 Drawing Sheets



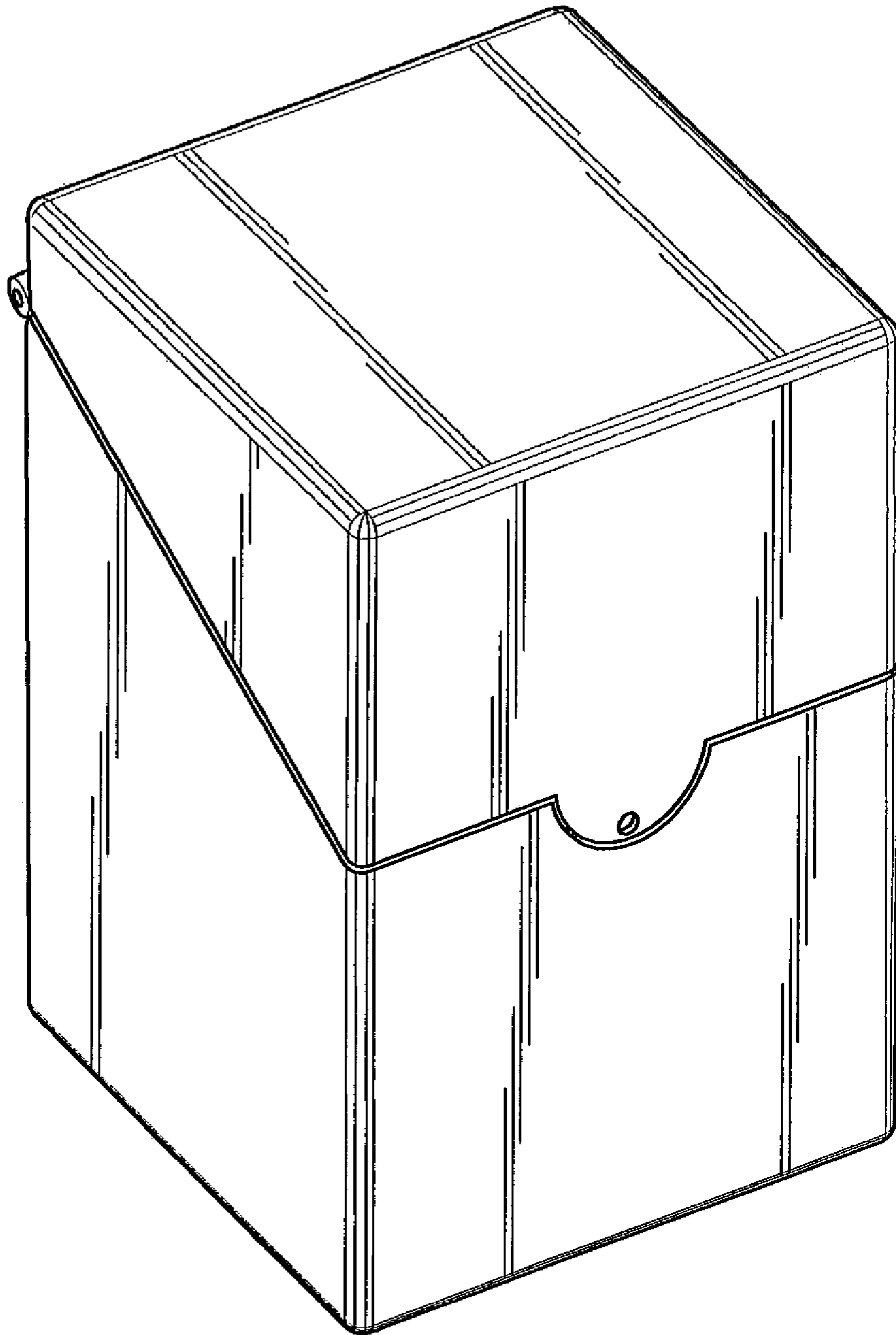


Fig. 1

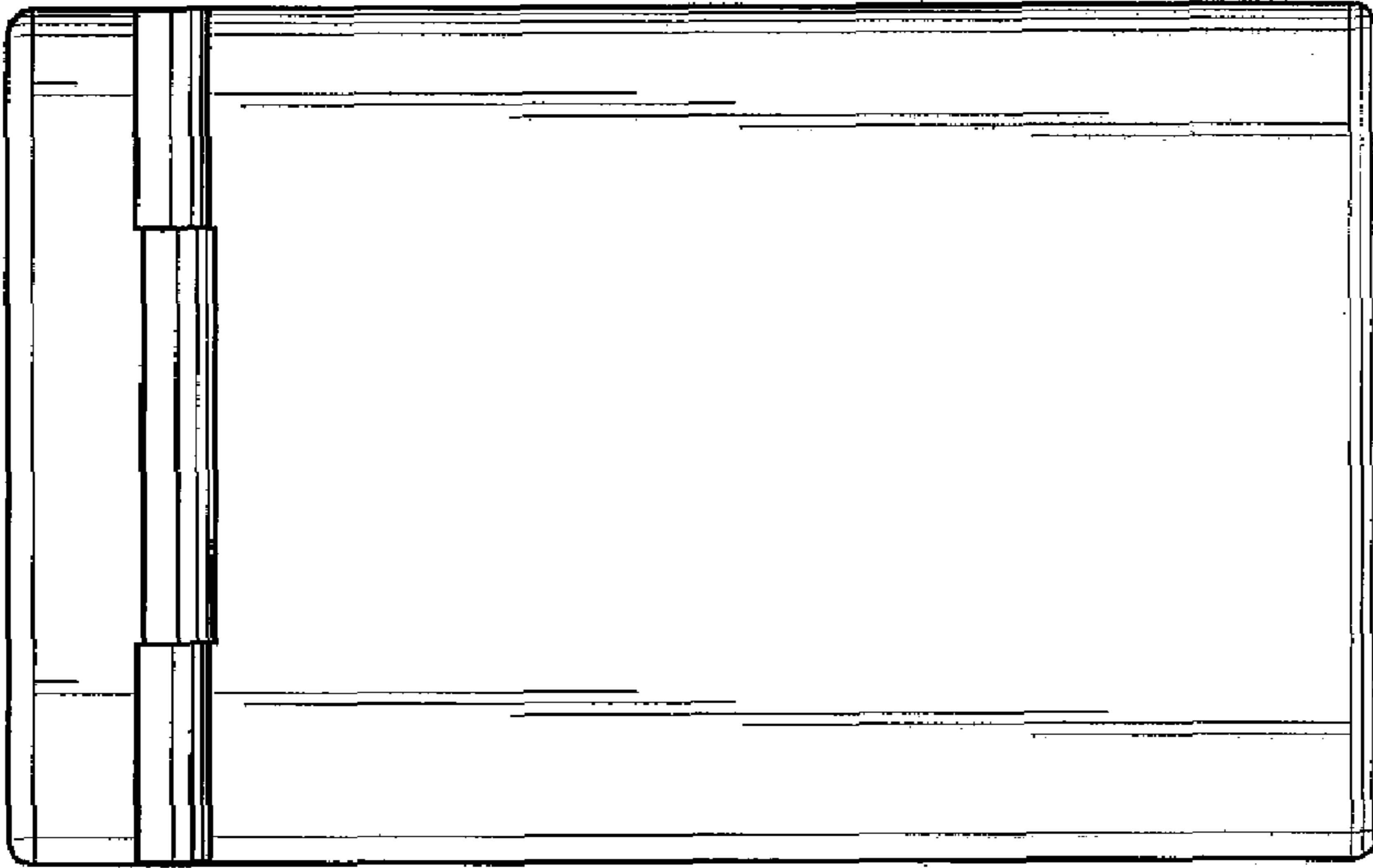


Fig. 3

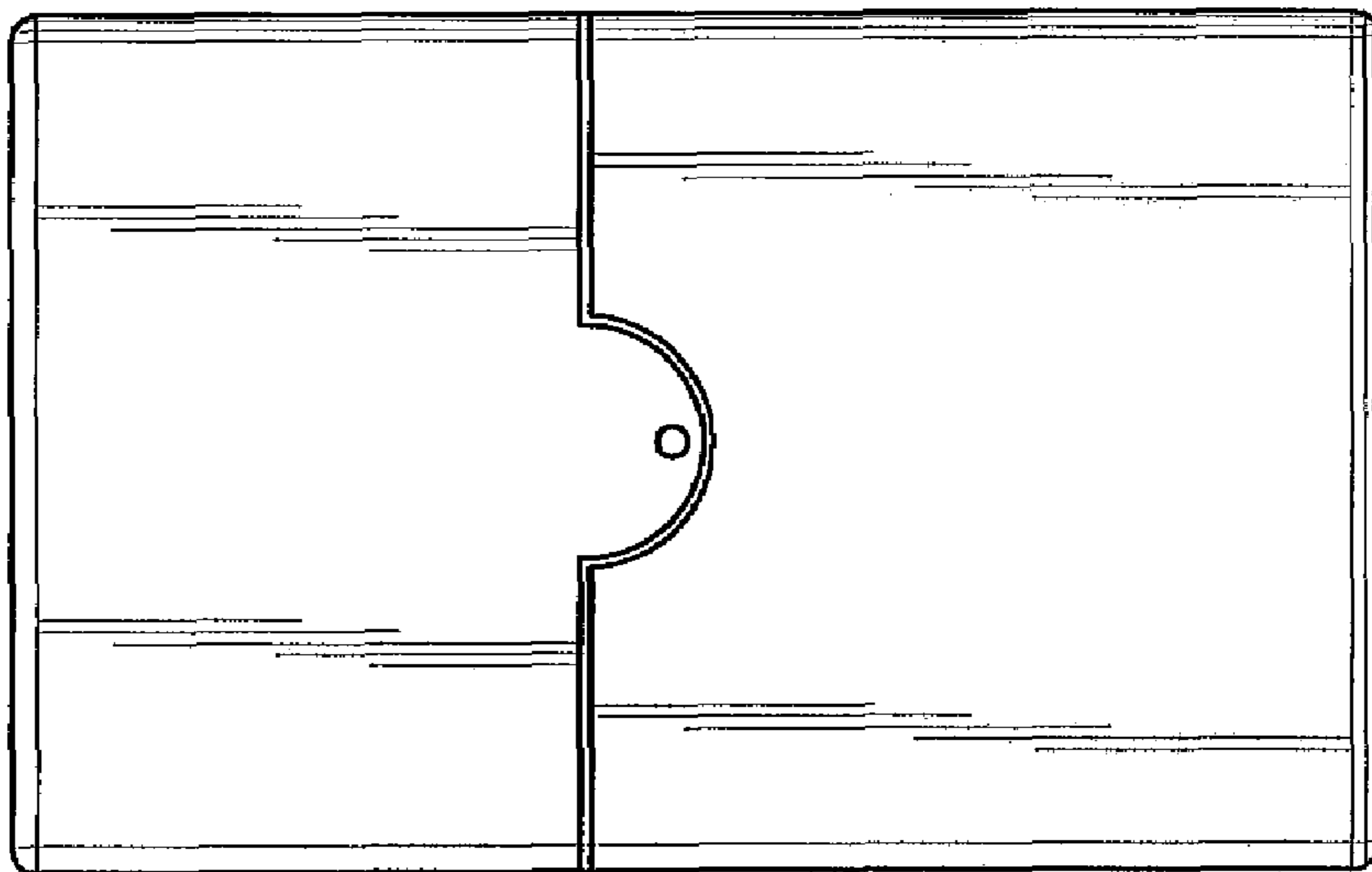


Fig. 2

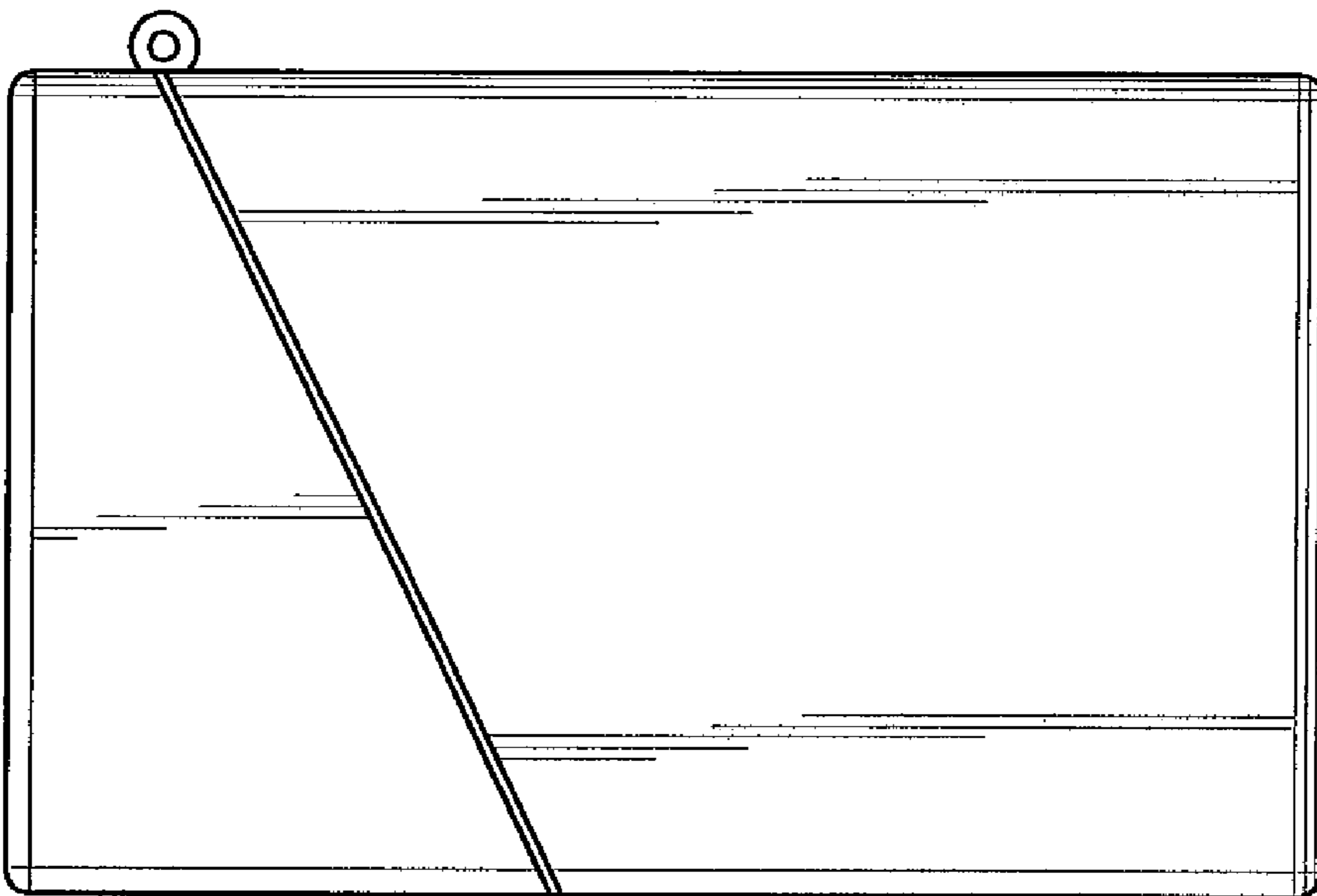


Fig. 4

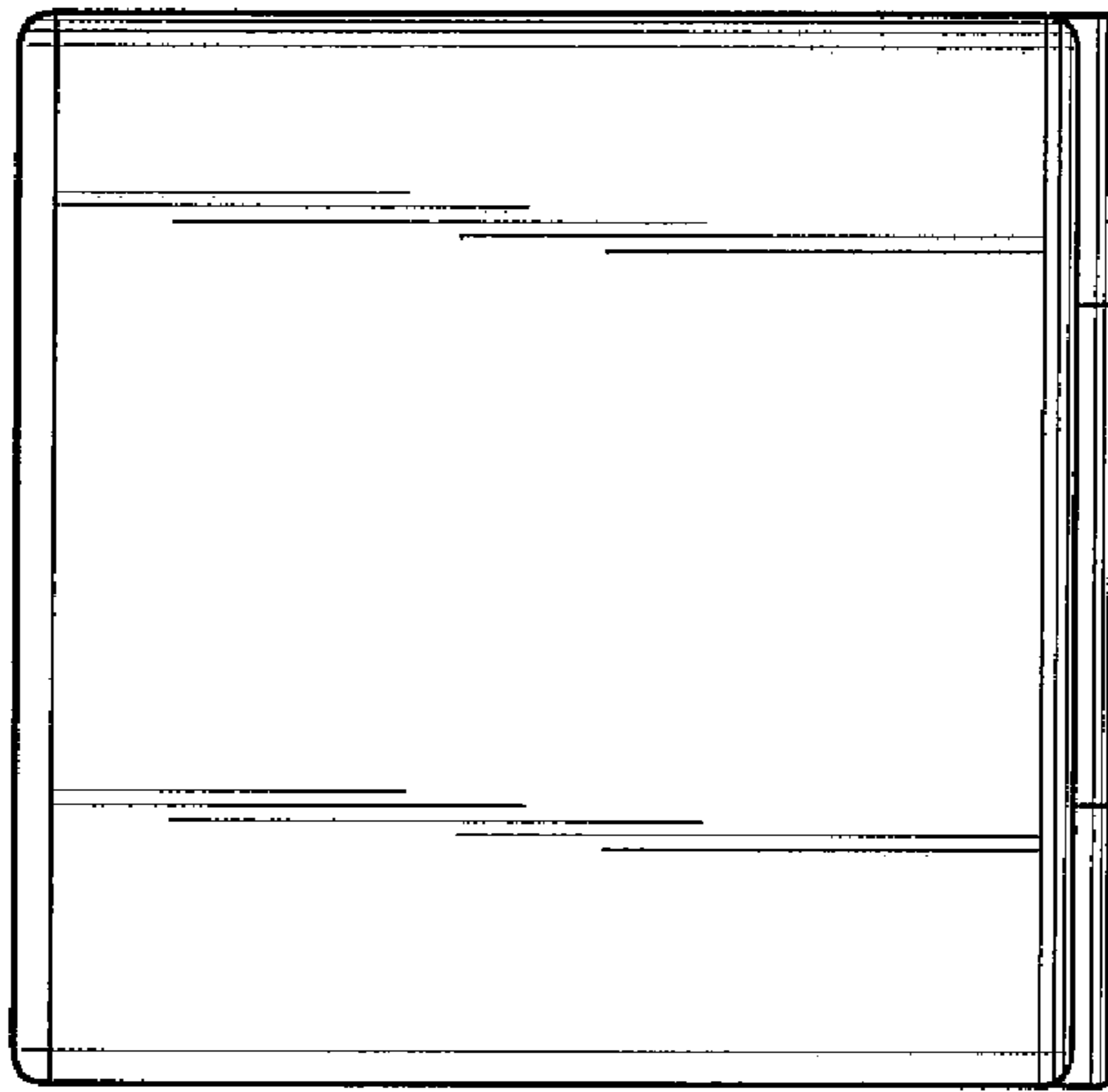


Fig. 5