



US00D561974S

(12) **United States Design Patent**
Iguchi et al.

(10) **Patent No.:** **US D561,974 S**
(45) **Date of Patent:** **** Feb. 12, 2008**

(54) **CRANE FOR AN AUTOMATED WAREHOUSING SYSTEM**

DESCRIPTION

- (75) Inventors: **Daisuke Iguchi**, Kariya (JP);
Mitsuyuki Sakurai, Kariya (JP)
- (73) Assignee: **Kabushiki Kaisha Toyota Jidoshokki**,
Kariya-shi (JP)
- (**) Term: **14 Years**
- (21) Appl. No.: **29/273,250**
- (22) Filed: **Feb. 27, 2007**
- (30) **Foreign Application Priority Data**
Sep. 1, 2006 (JP) 2006-023494
- (51) **LOC (8) Cl.** **12-05**
- (52) **U.S. Cl.** **D34/33; D34/28**
- (58) **Field of Classification Search** D34/28,
D34/33, 35; 254/DIG. 9; 414/273, 281,
414/495, 454, 459; 212/324, 326, 327; 187/9 R
See application file for complete search history.

(56) **References Cited**

U.S. PATENT DOCUMENTS

- 3,568,861 A * 3/1971 Atwater et al. 414/273
- 3,767,072 A * 10/1973 Atwater 414/281

(Continued)

OTHER PUBLICATIONS

Japanese Office Action dated Apr. 13, 2007, received in corresponding Japanese Patent Application No. 2006-023494 with English abstract.

* cited by examiner

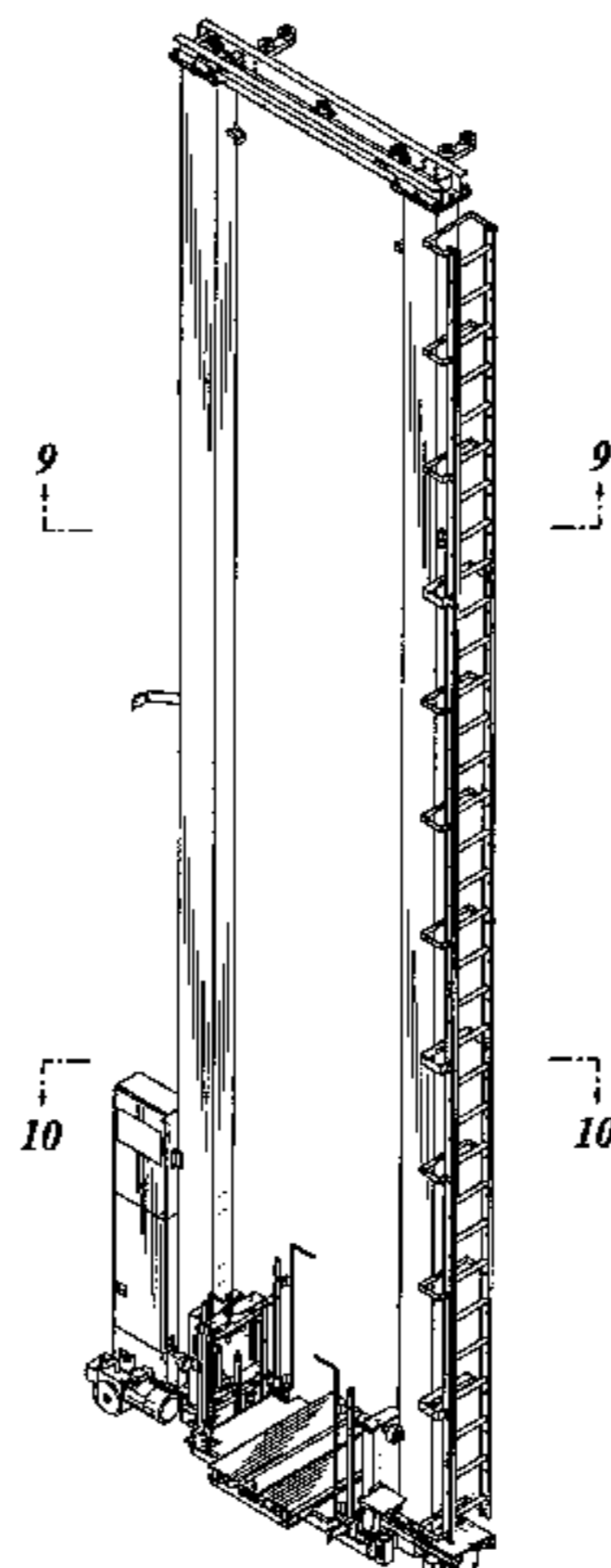
Primary Examiner—Cynthia E Ramirez
(74) *Attorney, Agent, or Firm*—Morgan & Finnegan, L.L.P.

(57) **CLAIM**

The ornamental design for a crane for an automated warehousing system, as shown and described.

- FIG. 1 is a front perspective view of our design for a crane for an automated warehousing system;
- FIG. 2 is a rear perspective view thereof;
- FIG. 3 is a front view thereof;
- FIG. 4 is a rear view thereof;
- FIG. 5 is an enlarged top plan view thereof;
- FIG. 6 is an enlarged bottom plan view thereof;
- FIG. 7 is a right side view thereof;
- FIG. 8 is a left side view thereof;
- FIG. 9 is an enlarged view of the portion indicated by line 9—9 in FIG. 1;
- FIG. 10 is an enlarged view of the portion indicated by line 10—10 FIG. 1;
- FIG. 11 is an enlarged view of the portion indicated by line 11—11 FIG. 2;
- FIG. 12 is an enlarged view of the portion indicated by line 12—12 FIG. 2;
- FIG. 13 is an enlarged view of the portion indicated by line 13—13 FIG. 3;
- FIG. 14 is an enlarged view of the portion indicated by line 14—14 FIG. 3;
- FIG. 15 is an enlarged view of the portion indicated by line 15—15 FIG. 4;
- FIG. 16 is an enlarged view of the portion indicated by line 16—16 FIG. 4;
- FIG. 17 is an enlarged view of the portion indicated by line 17—17 FIG. 7;
- FIG. 18 is an enlarged view of the portion indicated by line 18—18 FIG. 7;
- FIG. 19 is an enlarged view of the portion indicated line 19—19 FIG. 8; and,
- FIG. 20 is an enlarged view of the portion indicated line 20—20 FIG. 8.

1 Claim, 17 Drawing Sheets



US D561,974 S

Page 2

U.S. PATENT DOCUMENTS

4,232,370 A *	11/1980	Tapley	700/214	5,141,380 A	8/1992	Kato et al.	
4,915,576 A *	4/1990	Lanigan et al.	414/809	5,529,452 A *	6/1996	Boyles et al.	414/460
				6,478,172 B2 *	11/2002	Zingerman	212/179
				D538,002 S *	3/2007	Kuhn	D34/28

FIG. 1

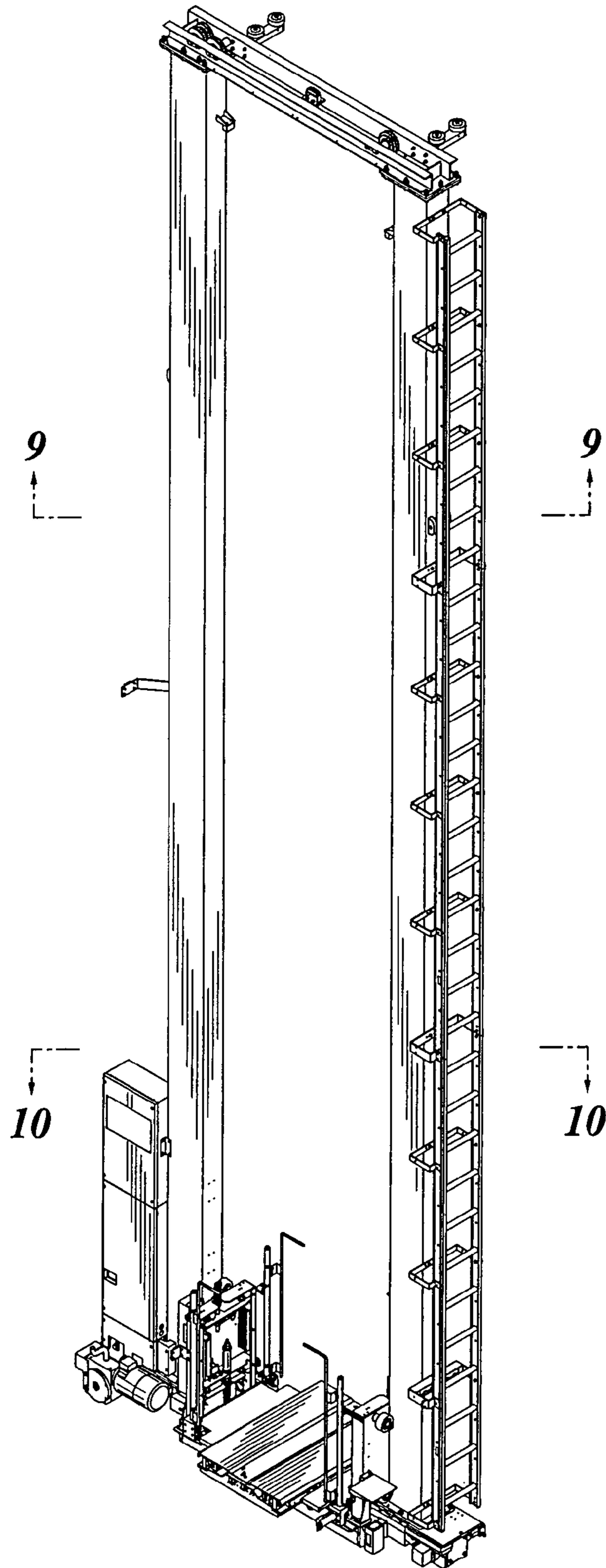


FIG. 2

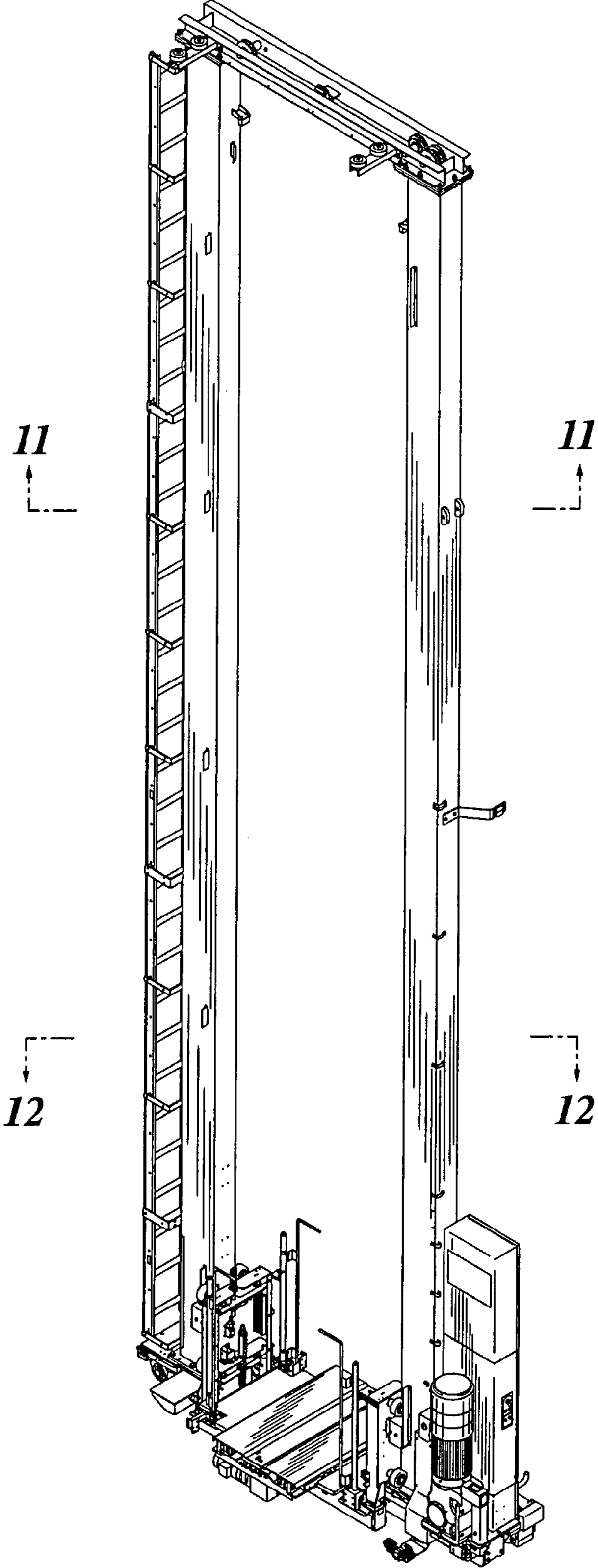


FIG. 3

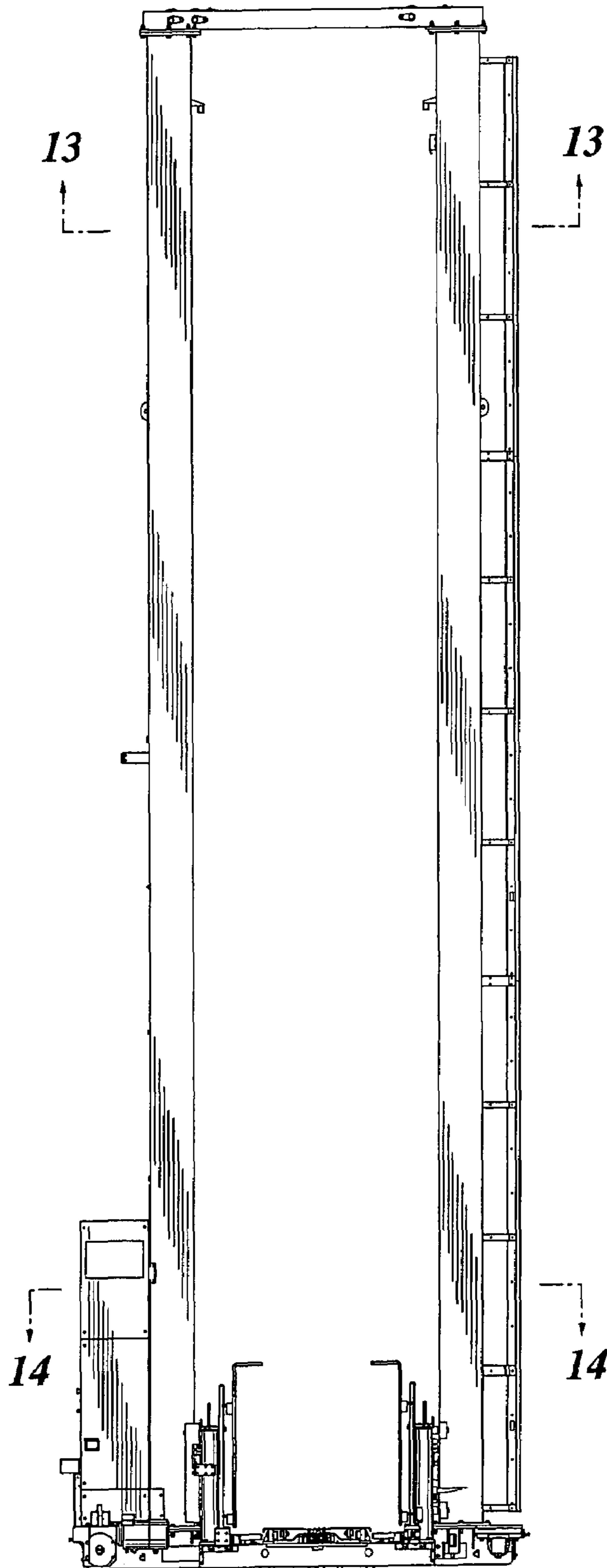


FIG. 4

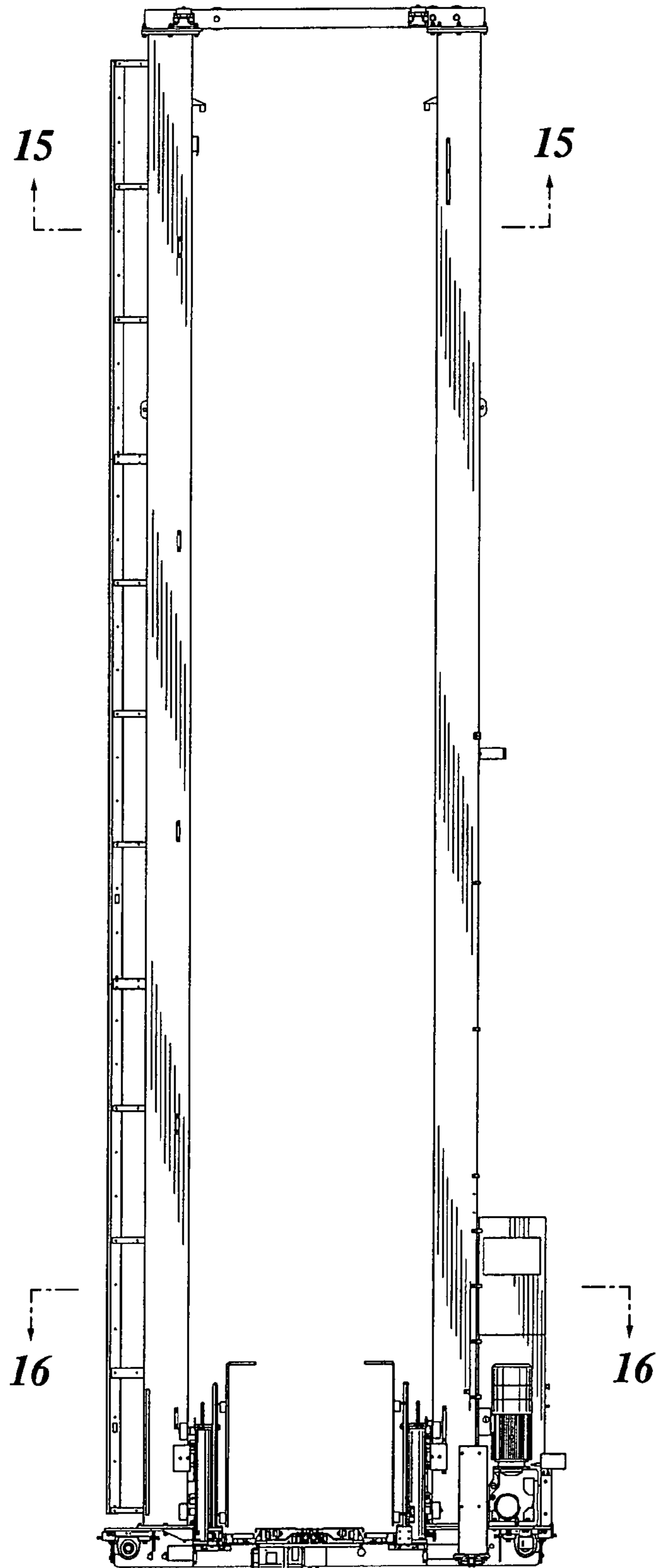


FIG. 5

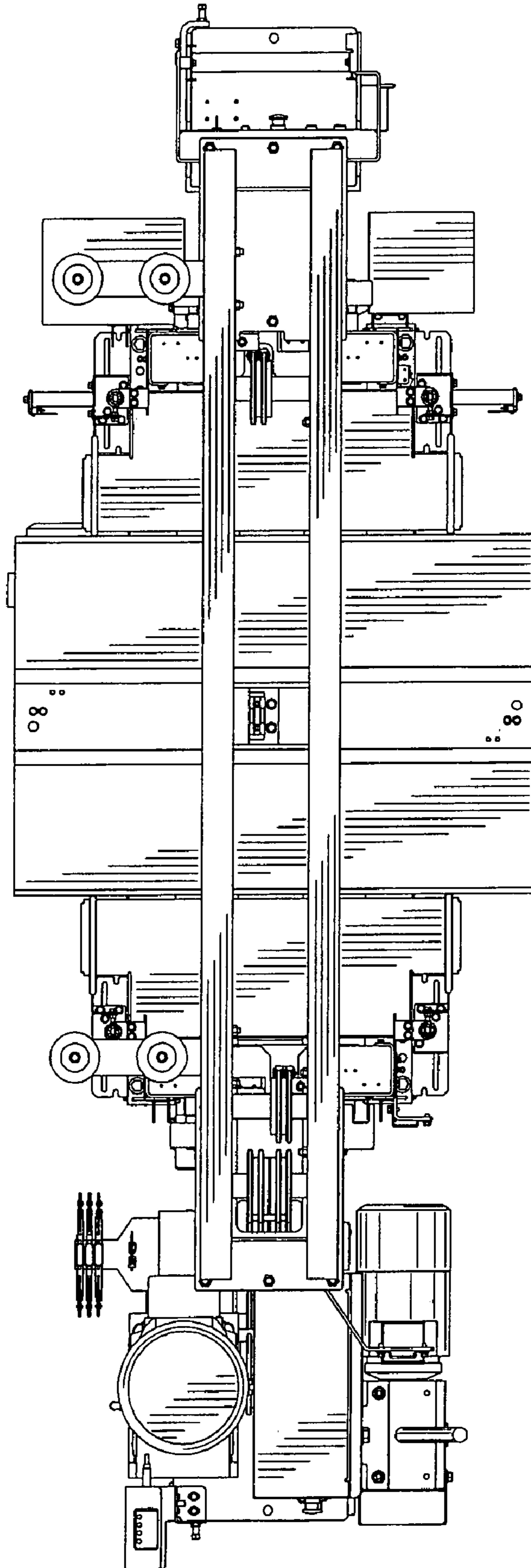


FIG. 6

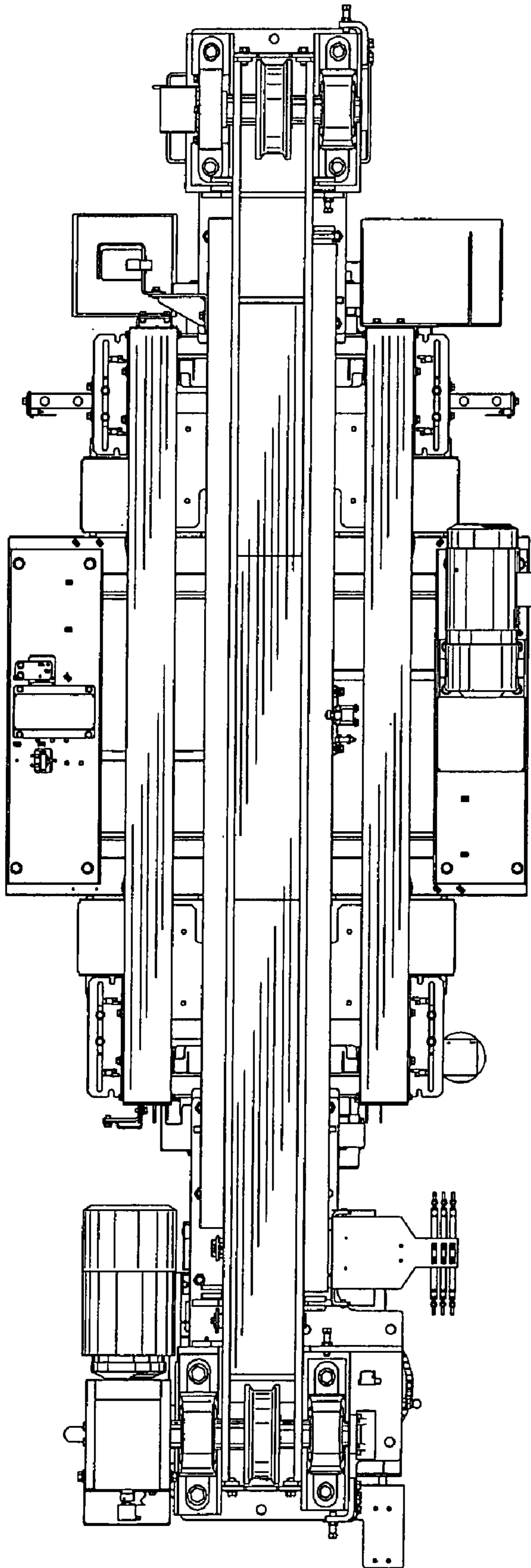


FIG. 7

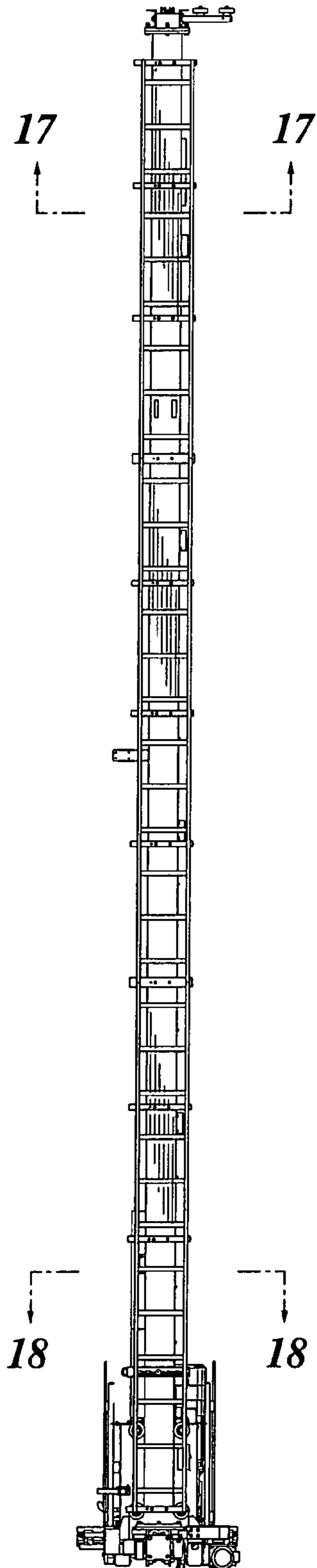


FIG. 8

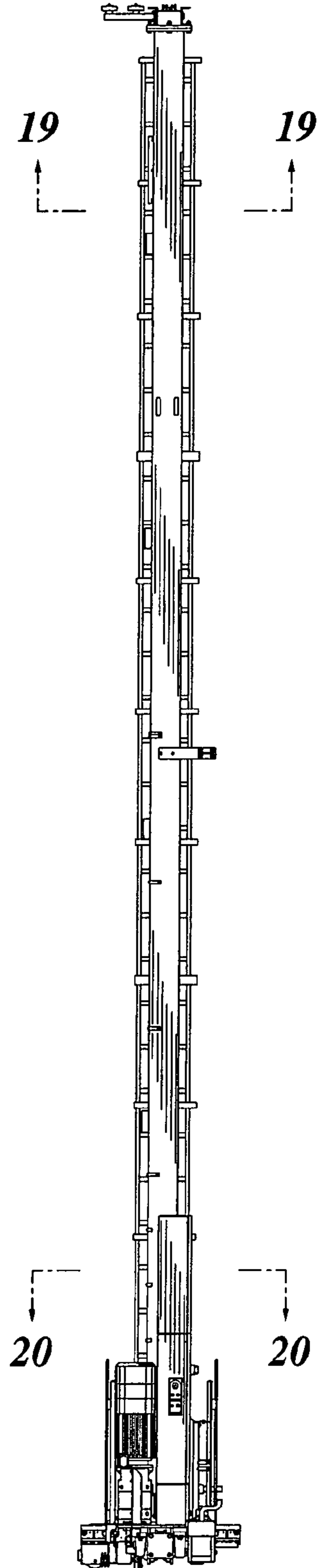


FIG. 9

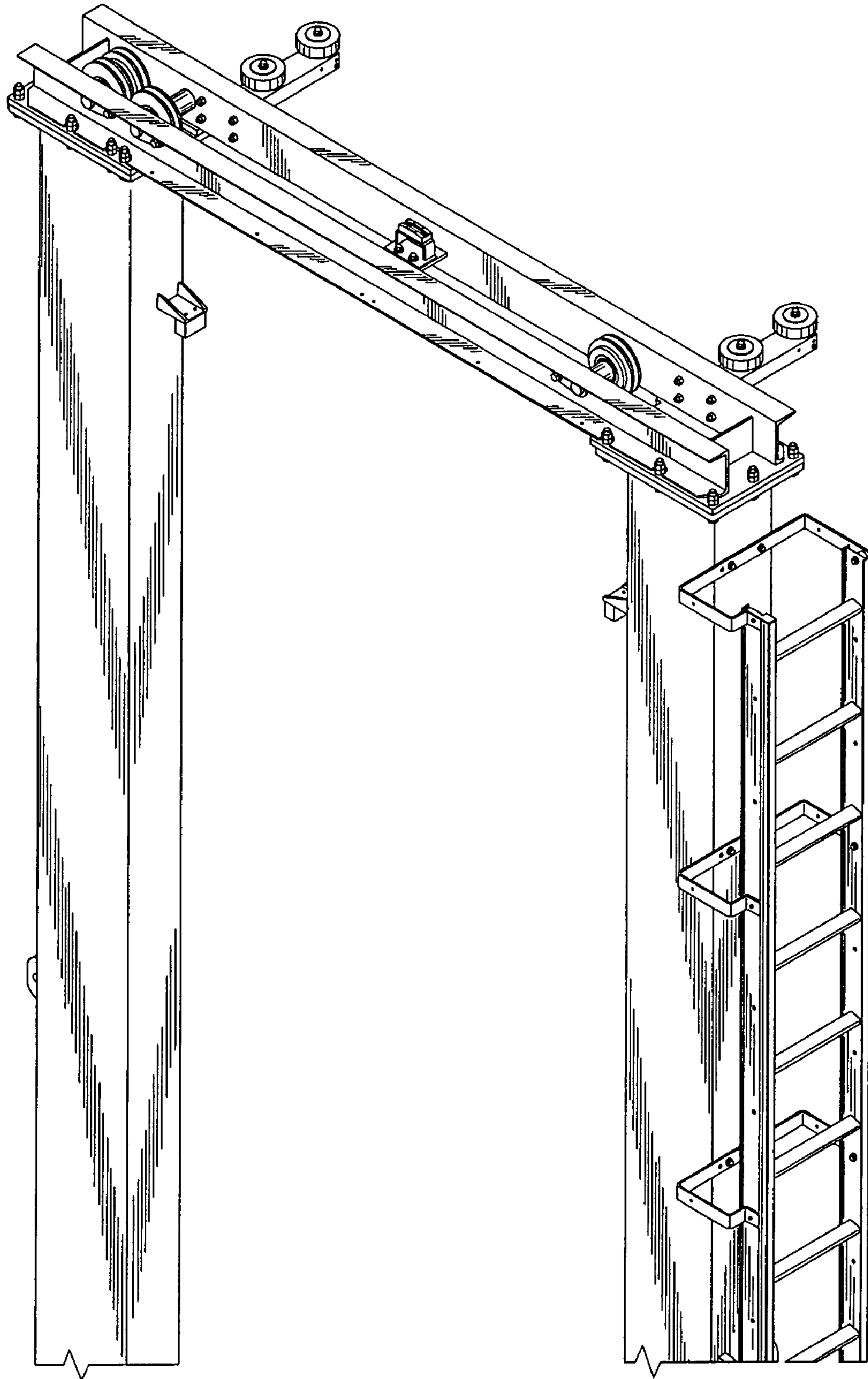


FIG. 10

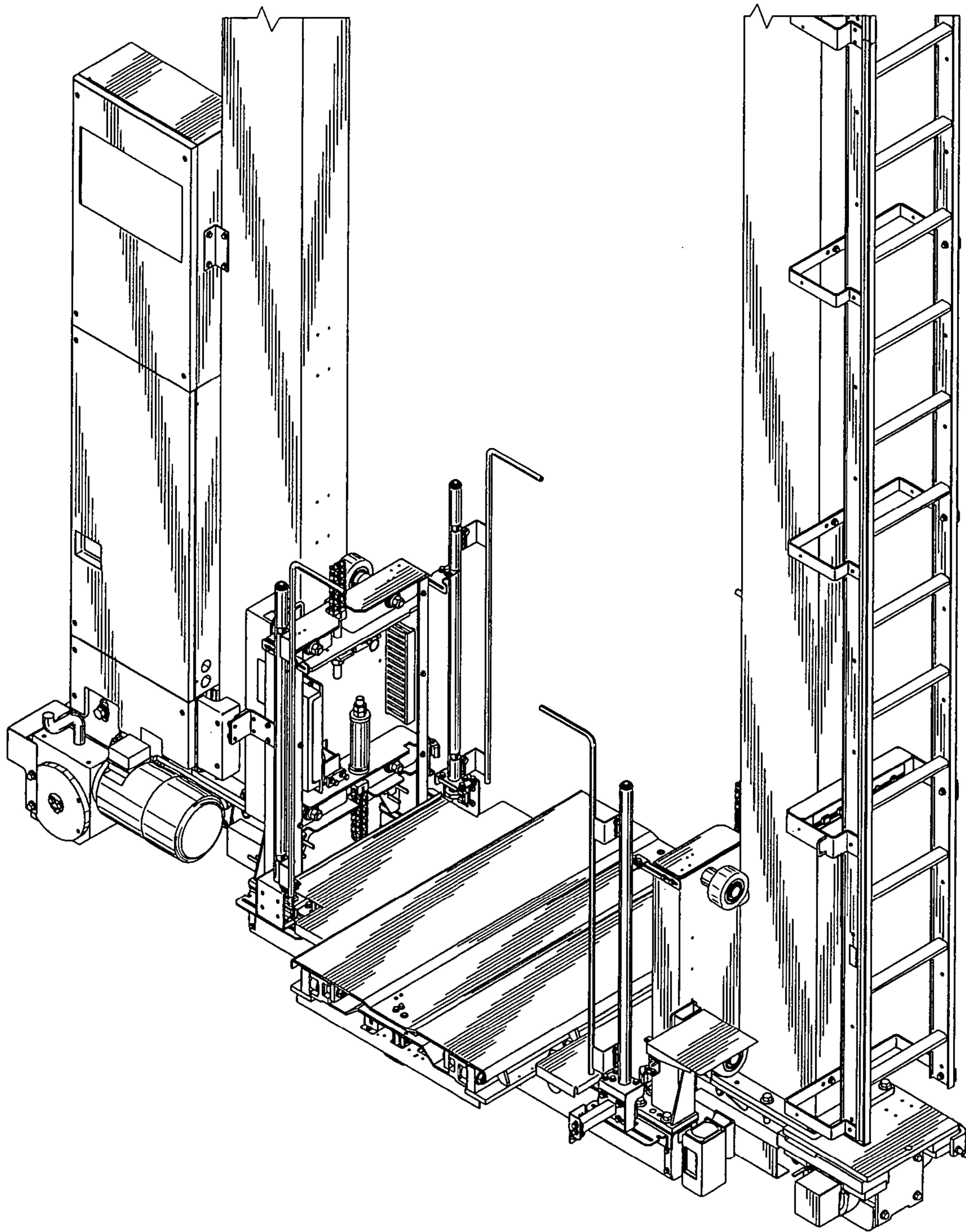


FIG. 11

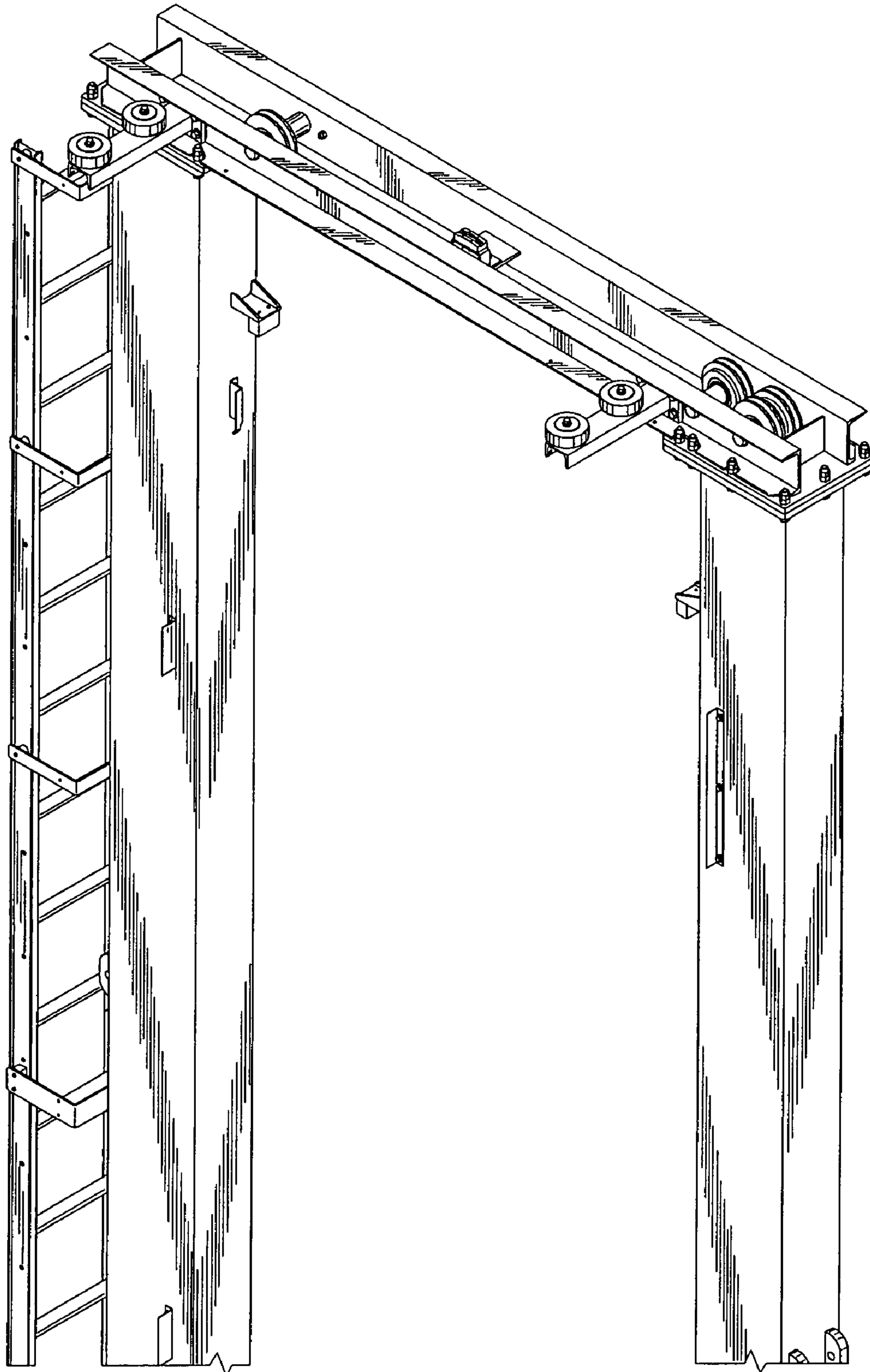


FIG. 12

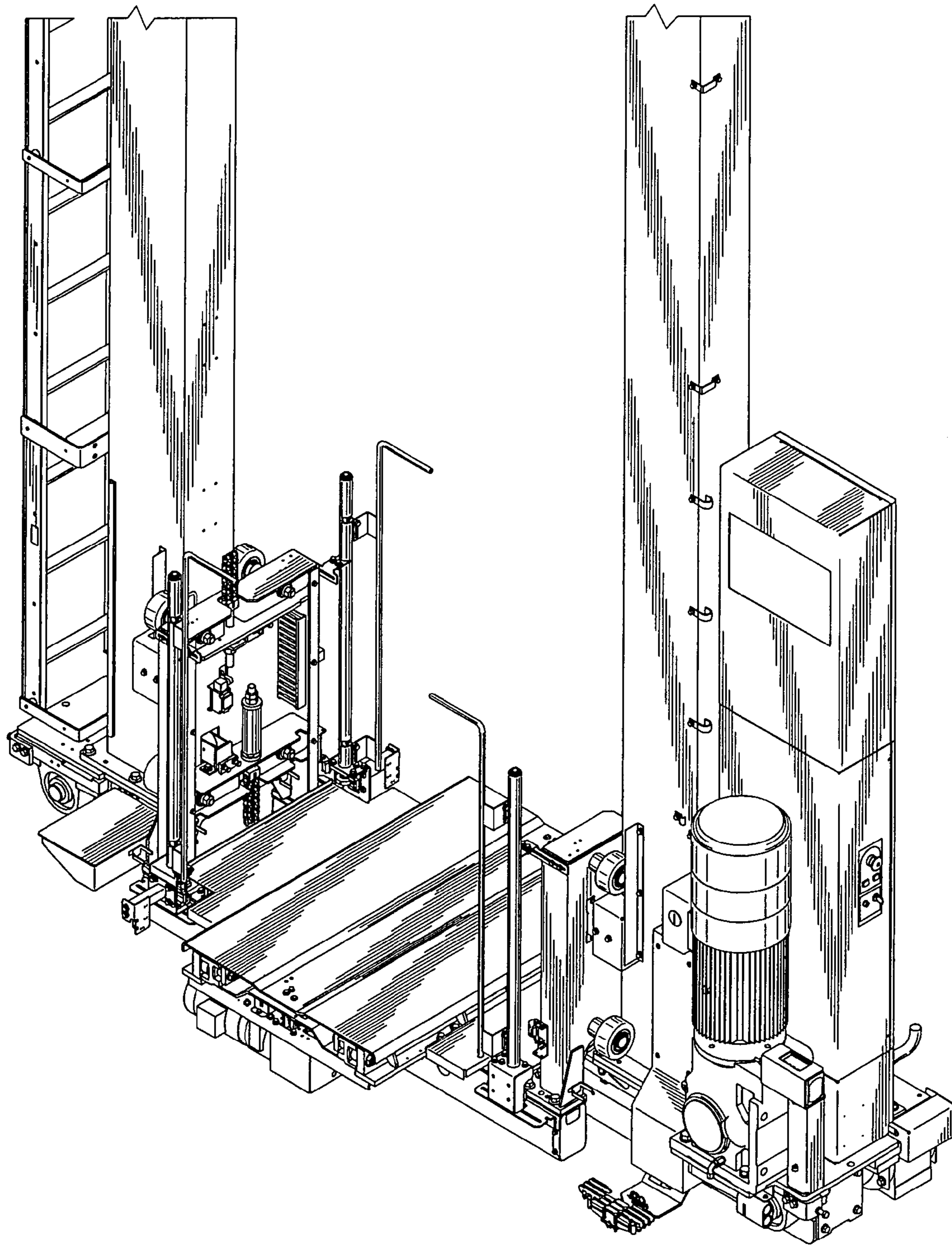


FIG. 13

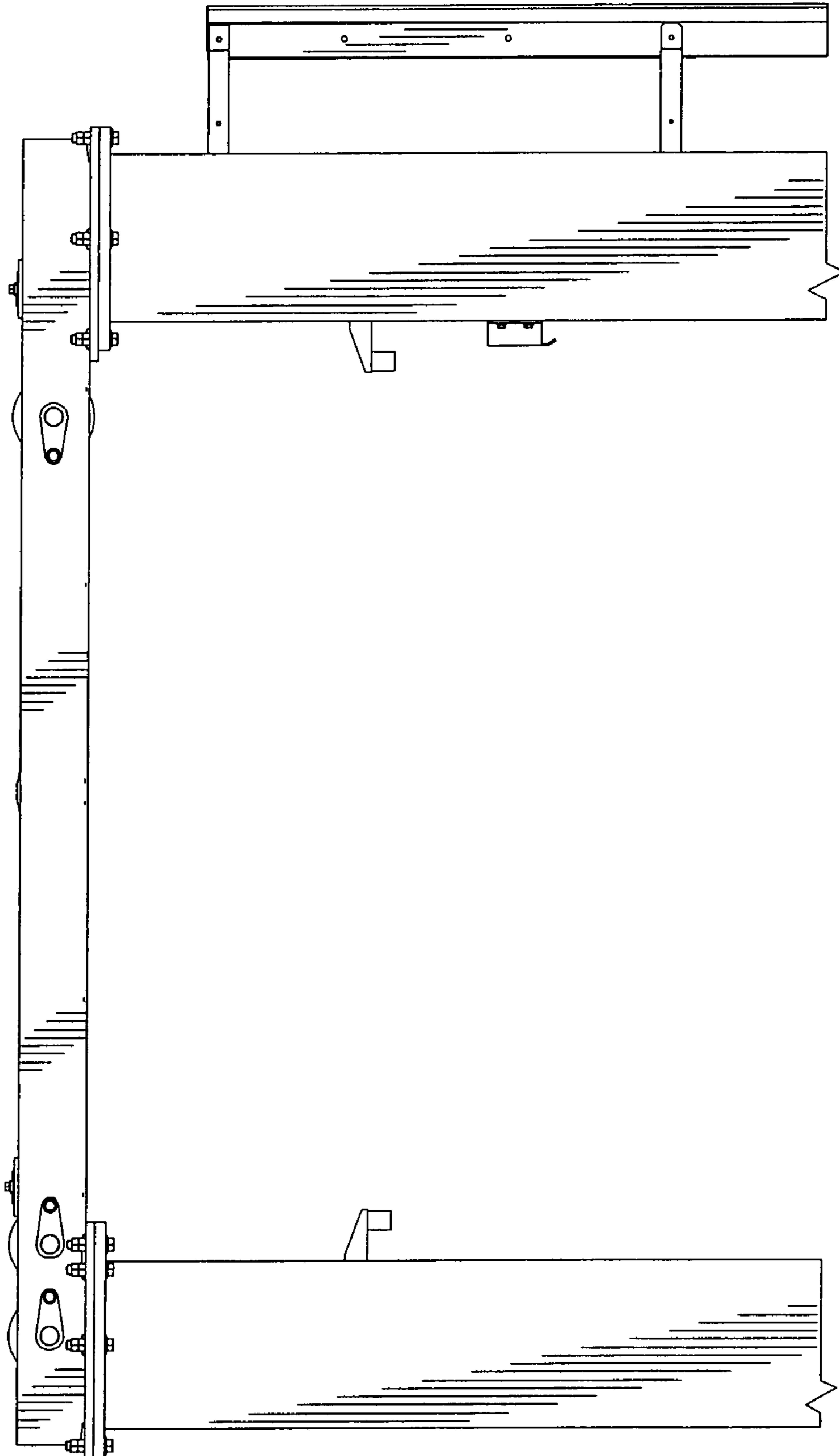


FIG. 14

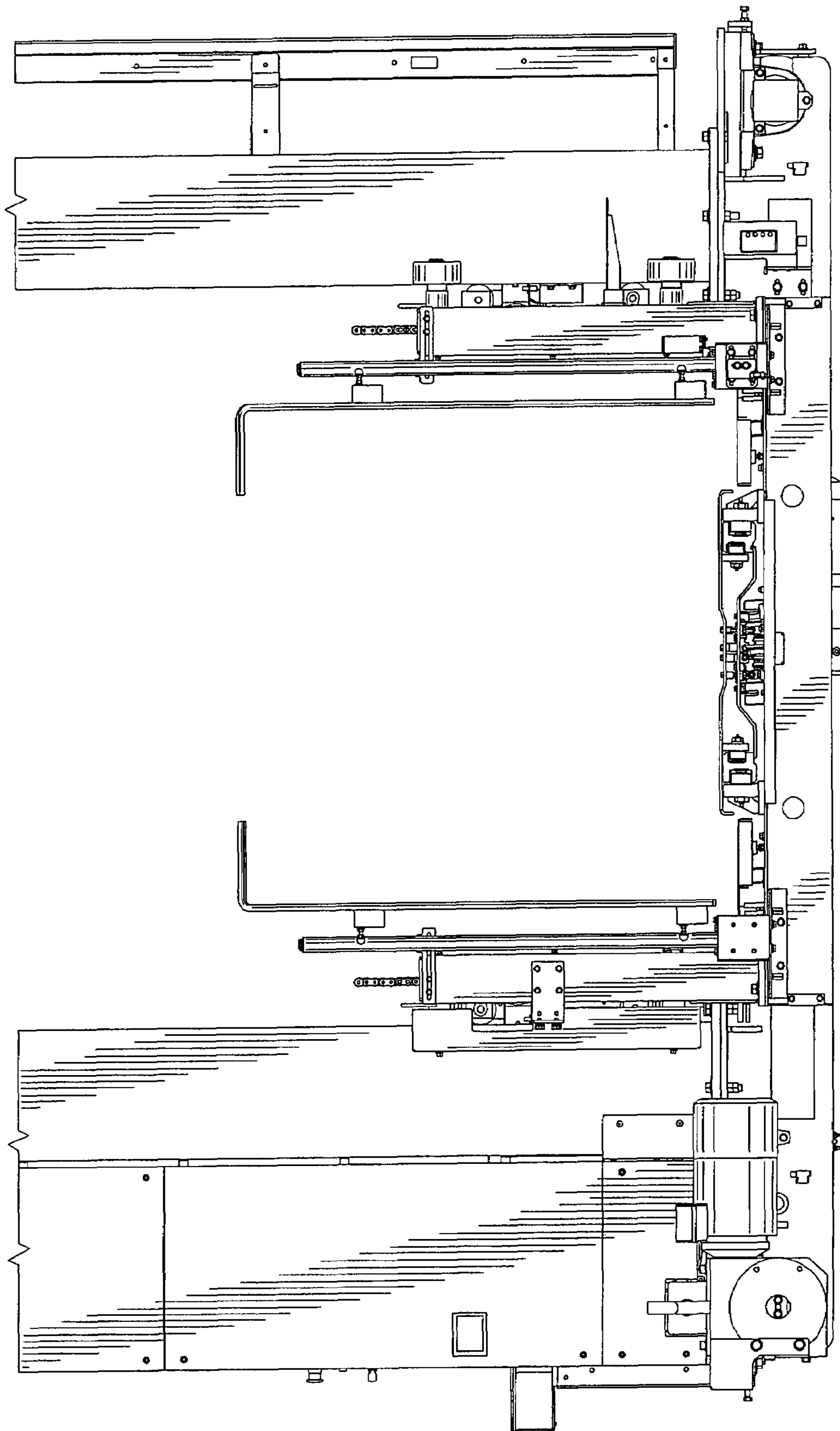
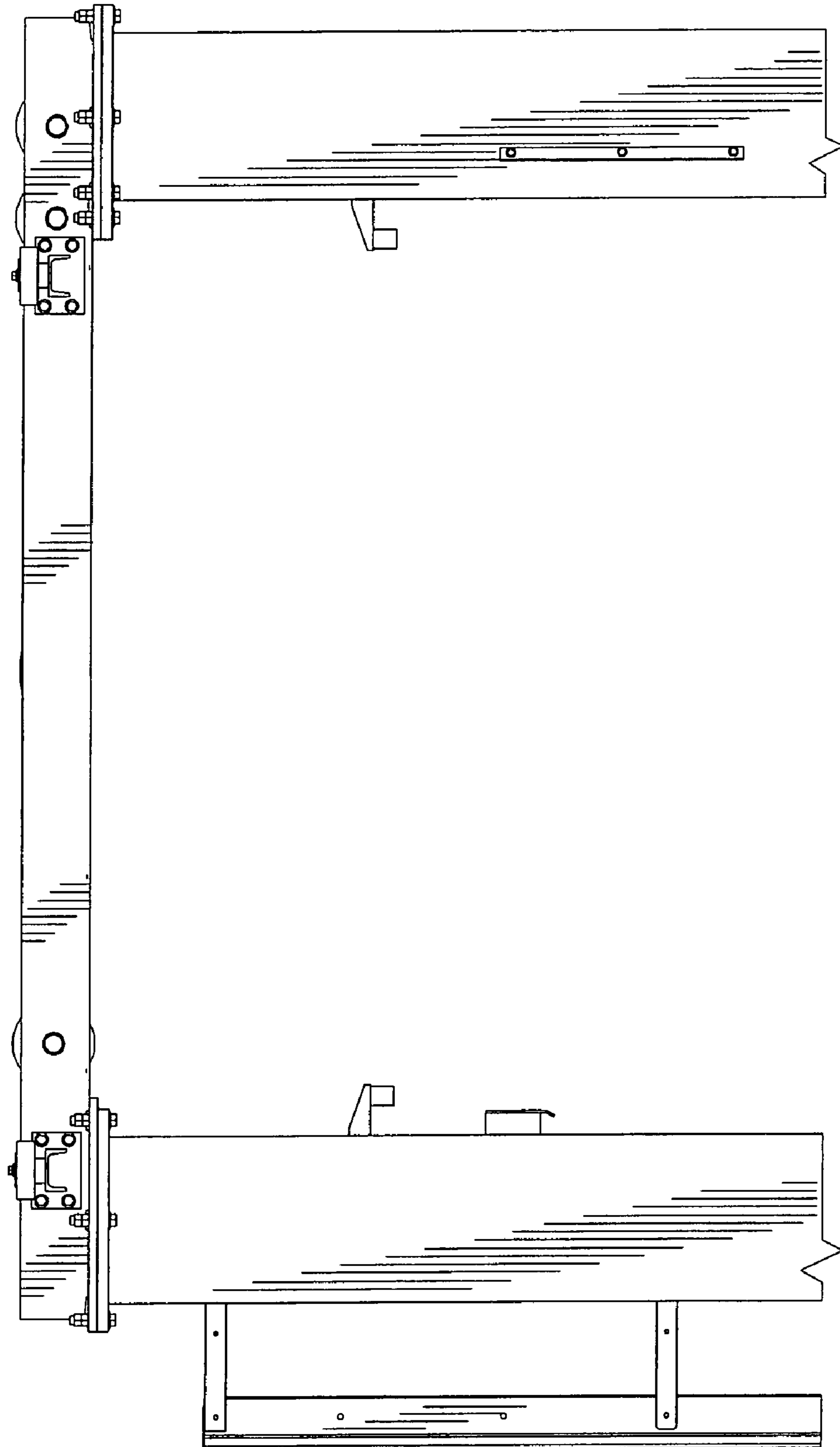


FIG. 15



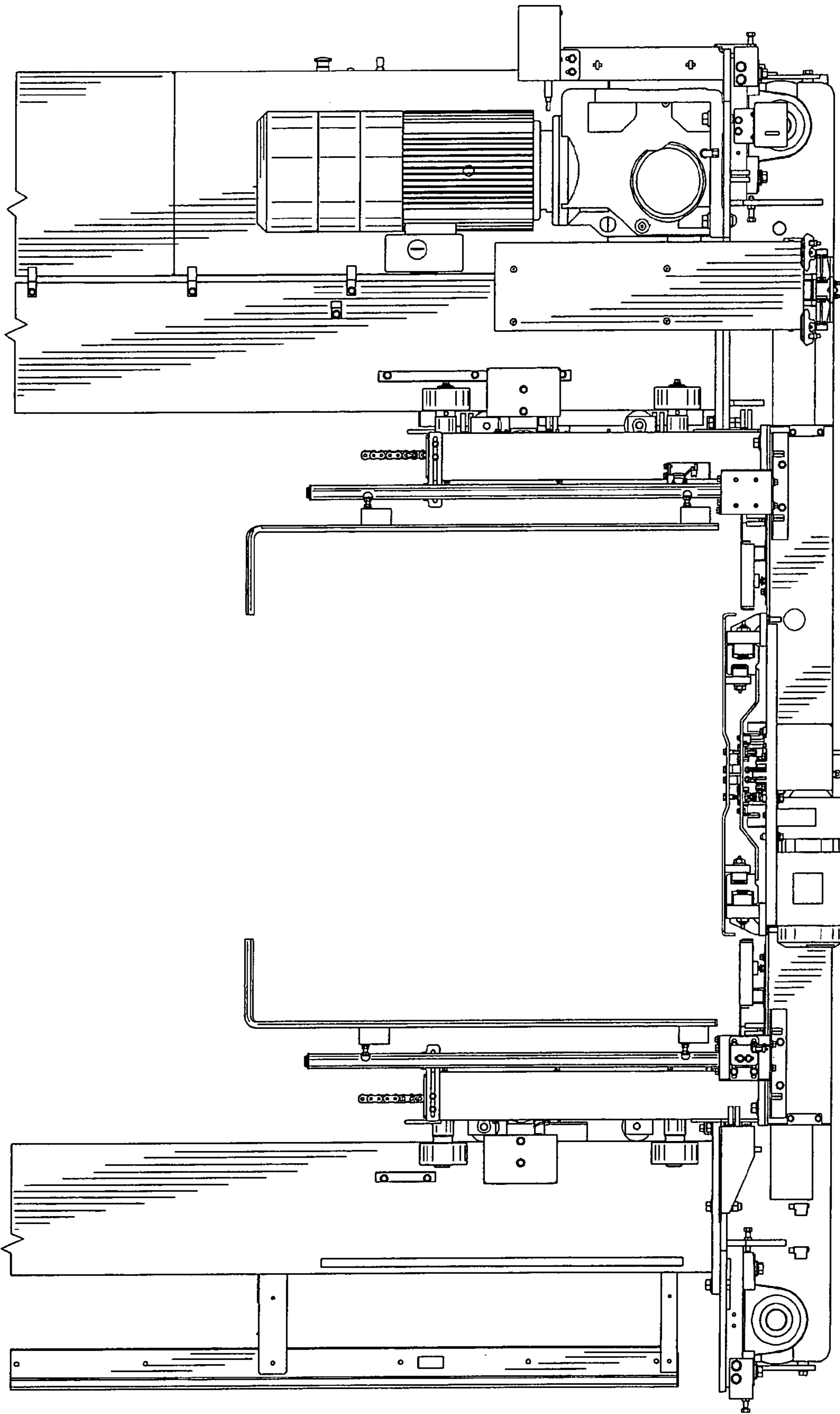


FIG. 16

FIG. 17

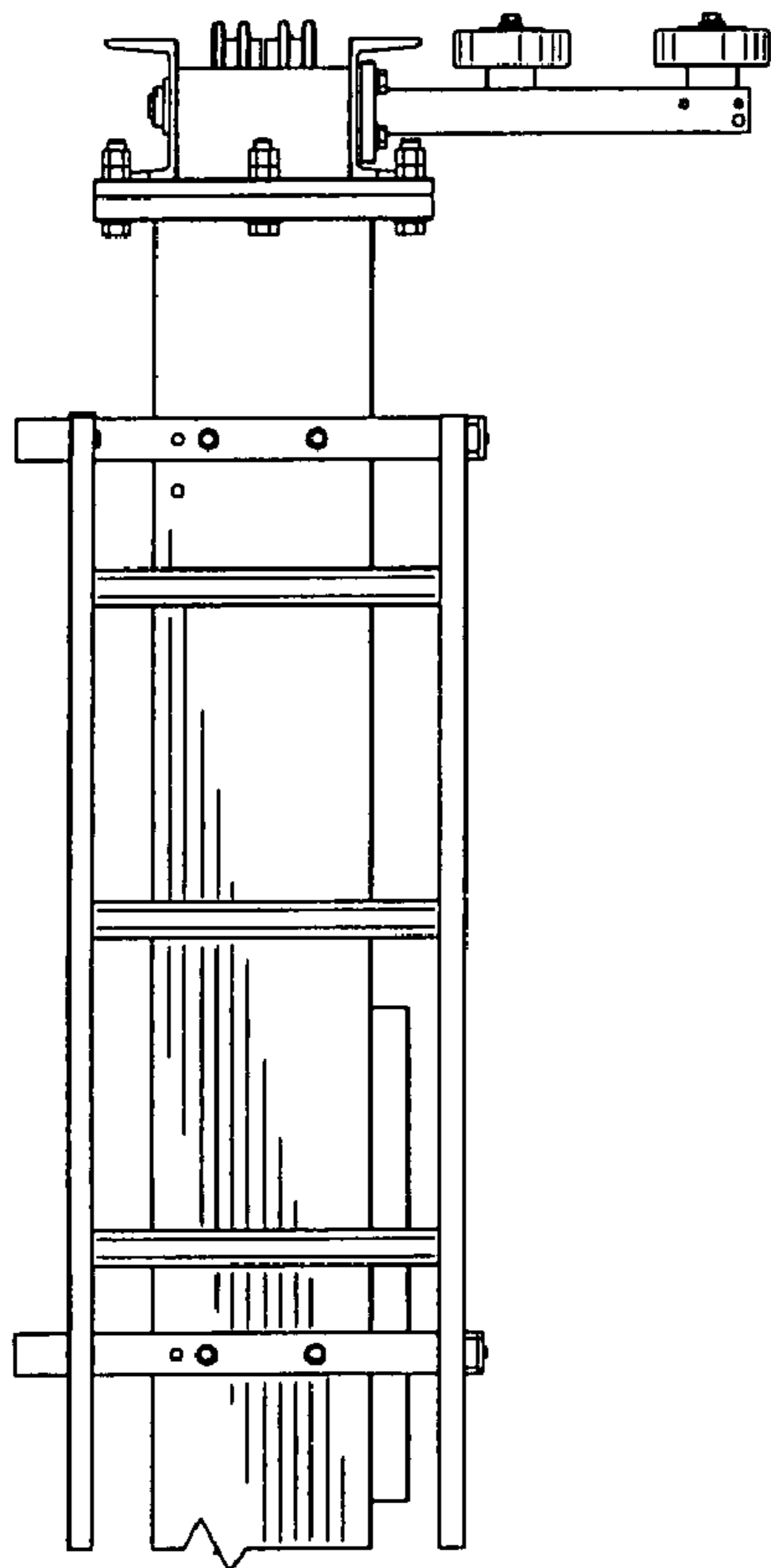


FIG. 18

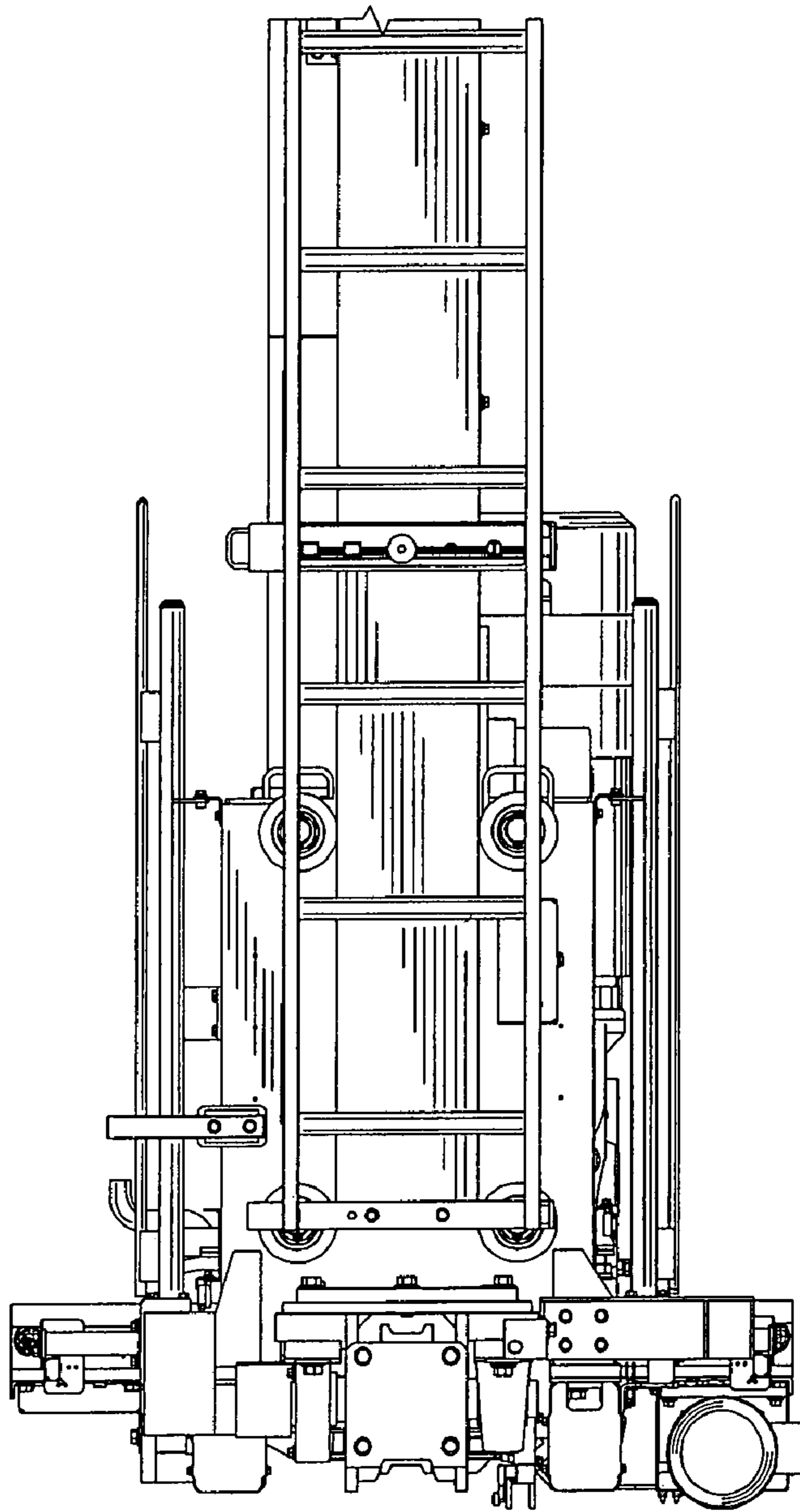


FIG. 19

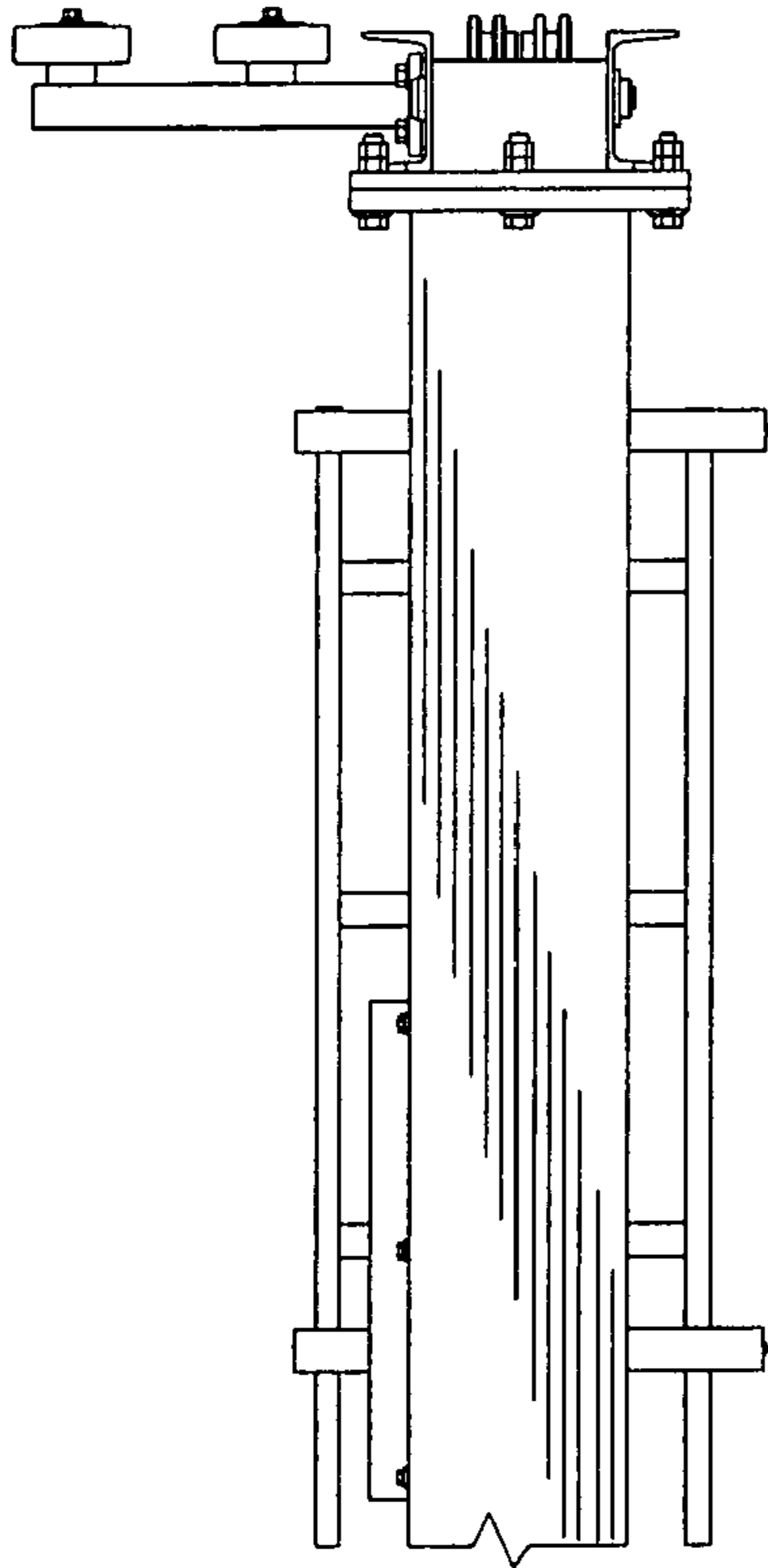
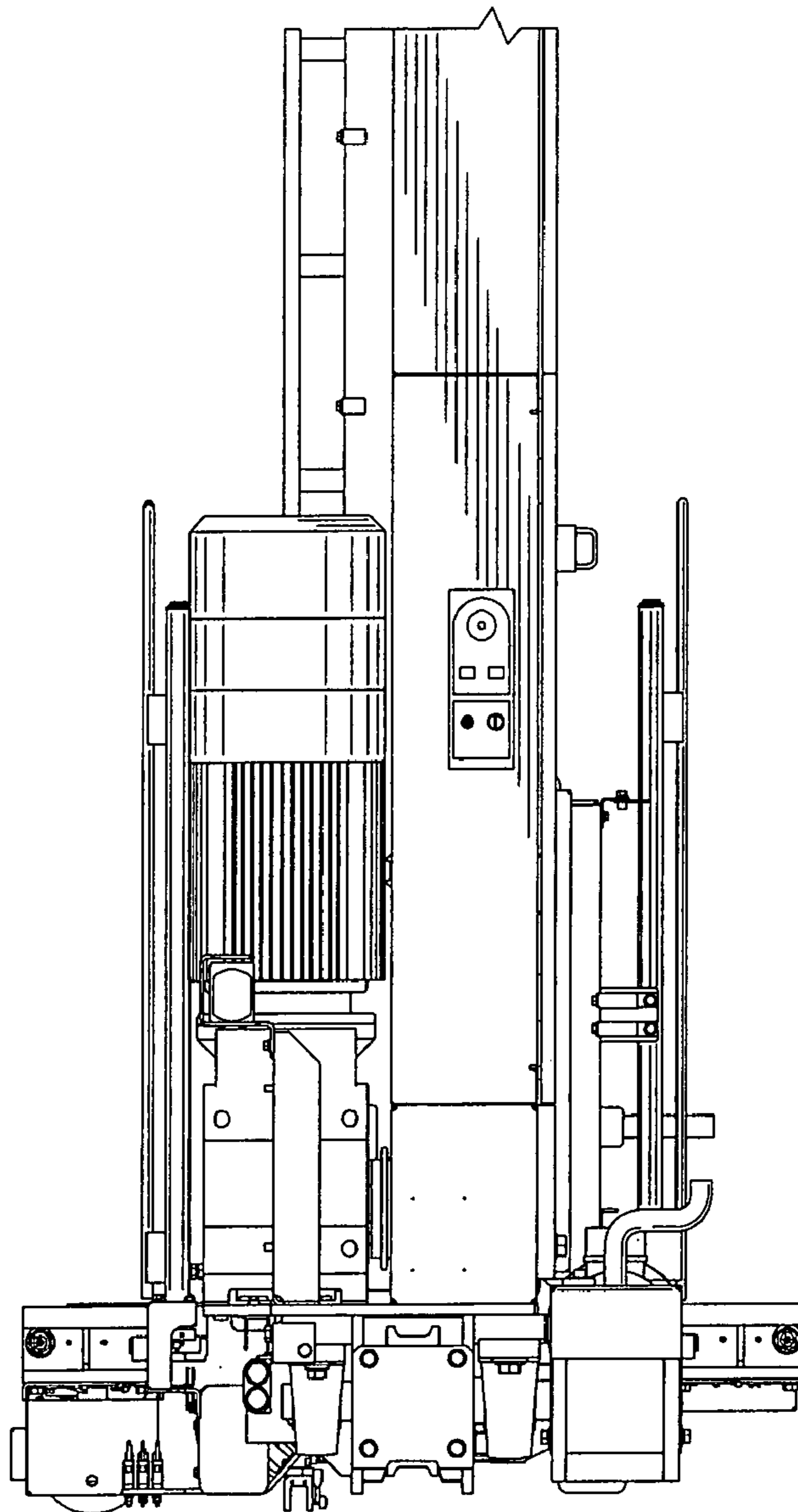


FIG. 20



UNITED STATES PATENT AND TRADEMARK OFFICE
CERTIFICATE OF CORRECTION

PATENT NO. : Des. 561,974 S
APPLICATION NO. : 29/273250
DATED : February 12, 2008
INVENTOR(S) : Iguchi et al.

Page 1 of 1

It is certified that error appears in the above-identified patent and that said Letters Patent is hereby corrected as shown below:

ON THE TITLE PAGE

Item DESCRIPTION

Please delete line 13 "10-10 FIG. 1;" and insert therefore -- 10-10 in FIG. 1; --.

Please delete line 15 "11-11 FIG. 2;" and insert therefore -- 11-11 in FIG. 2; --.

Please delete line 17 "12-12 FIG. 2;" and insert therefore -- 12-12 in FIG. 2; --.

Please delete line 19 "13-13 FIG. 3;" and insert therefore -- 13-13 in FIG. 3; --.

Please delete line 21 "14-14 FIG. 3;" and insert therefore -- 14-14 in FIG. 3; --.

Please delete line 23 "15-15 FIG. 4;" and insert therefore -- 15-15 in FIG. 4; --.

Please delete line 25 "16-16 FIG. 4;" and insert therefore -- 16-16 in FIG. 4; --.

Please delete line 27 "17-17 FIG. 7;" and insert therefore -- 17-17 in FIG. 7; --.

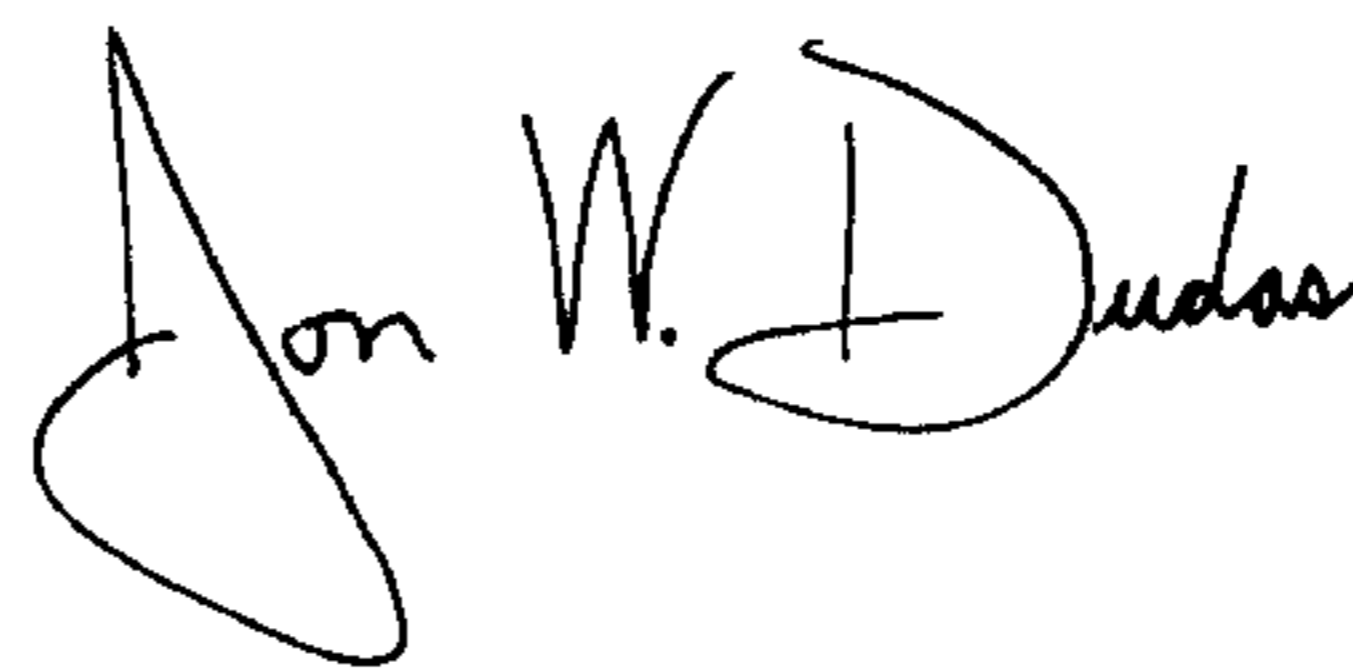
Please delete line 29 "18-18 FIG. 7;" and insert therefore -- 18-18 in FIG. 7; --.

Please delete line 31 "portion indicated line 19-19 FIG. 8;" and insert therefore -- portion indicated by line 19-19 in FIG. 8; --.

Please delete line 33 "portion indicated line 20-20 FIG. 8." and insert therefore -- portion indicated by line 20-20 in FIG. 8. --.

Signed and Sealed this

Fourth Day of November, 2008



JON W. DUDAS

Director of the United States Patent and Trademark Office