



US00D561973S

(12) **United States Design Patent**
Kinsley et al.

(10) **Patent No.:** **US D561,973 S**

(45) **Date of Patent:** **** Feb. 12, 2008**

(54) **ELECTRONIC DEVICE STORAGE CART**

D546,017 S * 7/2007 Wise D34/19
2005/0077805 A1* 4/2005 Dalebout et al. 312/249.11

(75) Inventors: **Mark Anthony Kinsley**, Elmhurst, IL (US); **Matthew E. Petrick**, Oak Park, IL (US); **John Jaqua**, LaPorte, IL (US); **John Poremba**, Elmhurst, IL (US); **Martin Rodriguez**, Chicago, IL (US)

* cited by examiner

Primary Examiner—Cynthia E Ramirez
(74) *Attorney, Agent, or Firm*—John C. Gorecki

(73) Assignee: **Bretford Manufacturing, Inc.**, Franklin Park, IL (US)

(57) **CLAIM**

The ornamental design for an electronic device storage cart, as shown and described.

(**) Term: **14 Years**

(21) Appl. No.: **29/273,354**

DESCRIPTION

(22) Filed: **Mar. 2, 2007**

FIG. 1 is a front perspective view of an electronic device storage cart embodying our novel design;

(51) **LOC (8) Cl.** **12-02**

FIG. 2 is a rear perspective view of an electronic device storage cart embodying our novel design;

(52) **U.S. Cl.** **D34/19**

(58) **Field of Classification Search** D34/12-27;
D6/443; 280/79.2, 79.3, 47.35, 42.24
See application file for complete search history.

FIG. 3 is an elevation view of the front of the electronic device storage cart of FIG. 1;

FIG. 4 is an elevation view of the back of the electronic device storage cart of FIG. 1;

(56) **References Cited**

U.S. PATENT DOCUMENTS

- 2,893,749 A * 7/1959 Simonsen 312/249.11
- 5,040,811 A * 8/1991 Busken et al. 280/47.34
- D327,353 S * 6/1992 Shetterly D34/25
- D327,967 S * 7/1992 Hikawa D34/20
- D357,600 S * 4/1995 Chen D6/443
- D365,583 S * 12/1995 Viken D15/151
- D381,166 S * 7/1997 Bonazza D34/20
- D419,230 S * 1/2000 Ciccone D23/333
- D451,256 S * 11/2001 Armanno, Sr. D34/15
- D461,292 S * 8/2002 Sadler D34/19
- 6,474,665 B1 * 11/2002 Fink et al. 280/79.2
- D535,452 S * 1/2007 Lim et al. D34/19

FIG. 5 is an elevation view of the left side of the electronic device storage cart of FIG. 1;

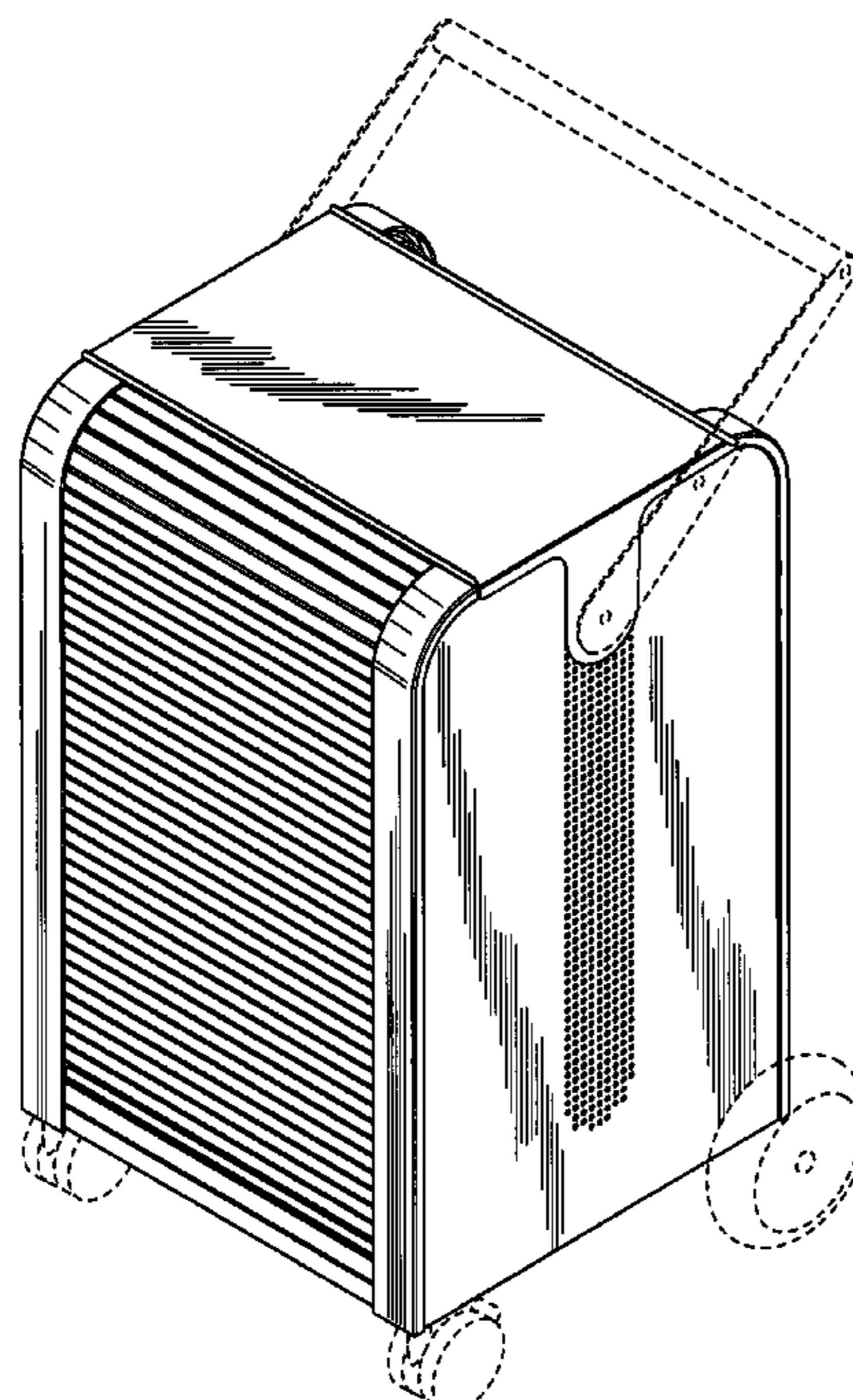
FIG. 6 is an elevation view of the right side of the electronic device storage cart of FIG. 1;

FIG. 7 is a top plan view of the electronic device storage cart of FIG. 1; and,

FIG. 8 is a bottom plan view of the electronic device storage cart of FIG. 1.

The broken lines shown in the drawings are for illustrative purposes only and form no part of the claimed design.

1 Claim, 8 Drawing Sheets



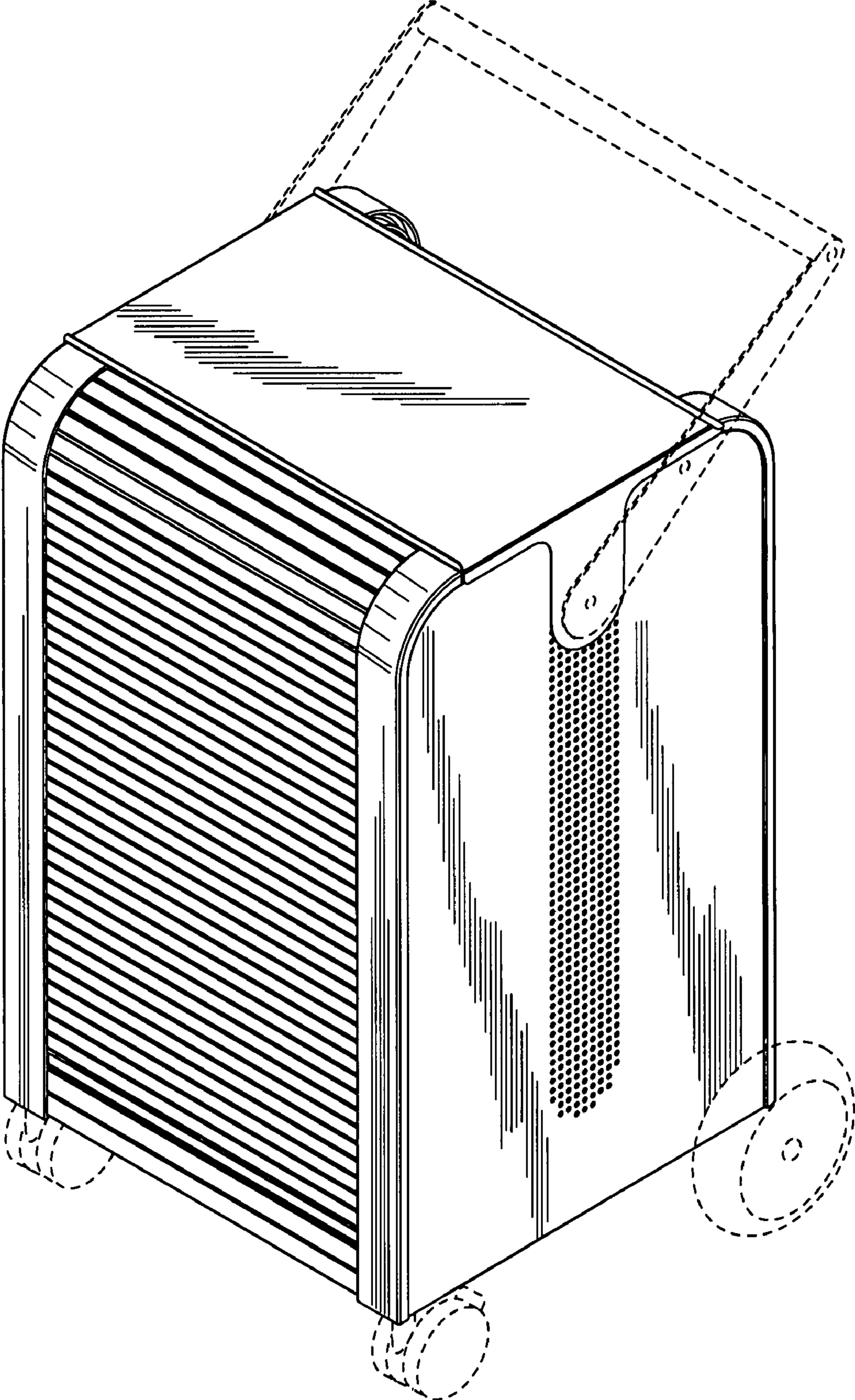


FIG. 1

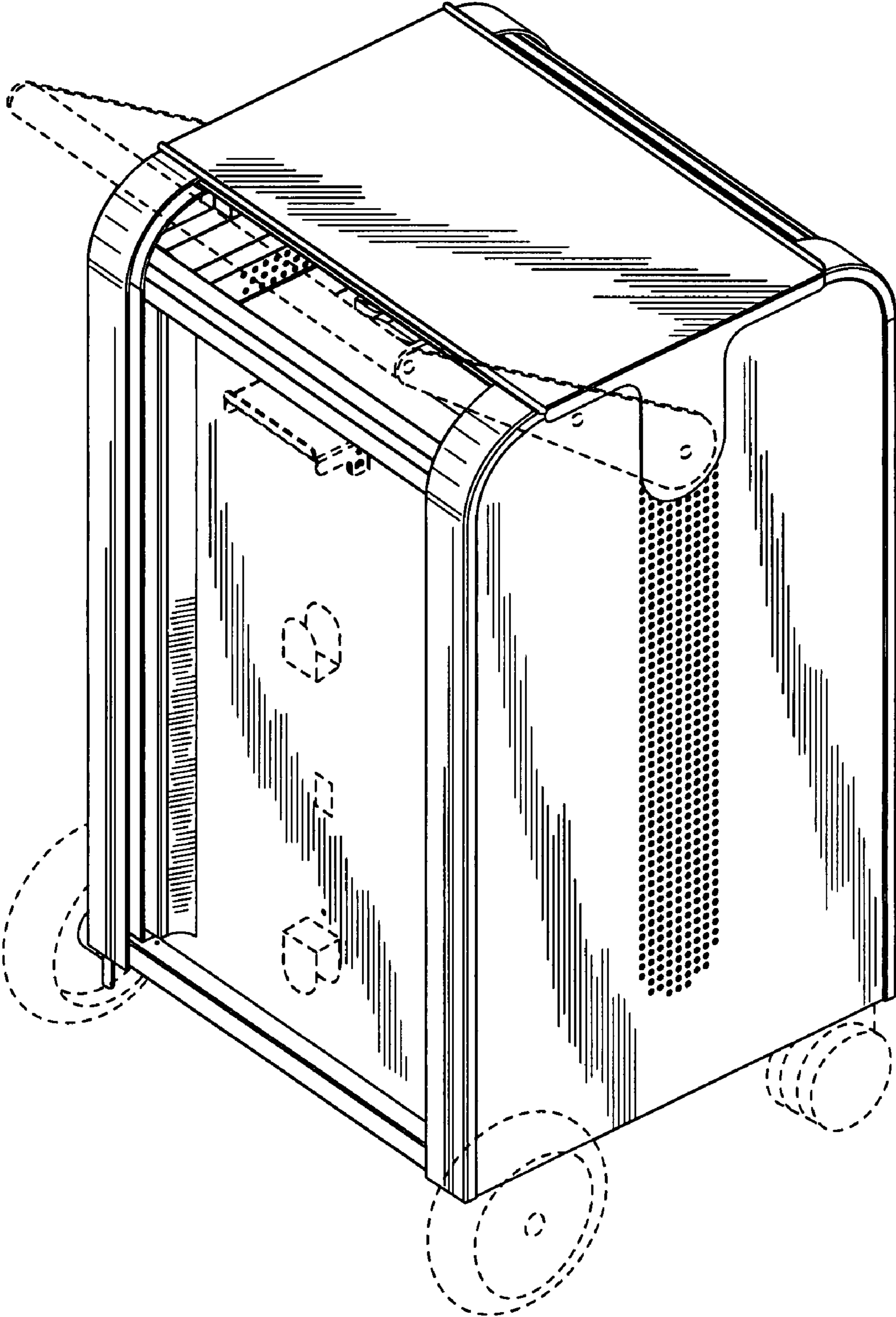


FIG. 2

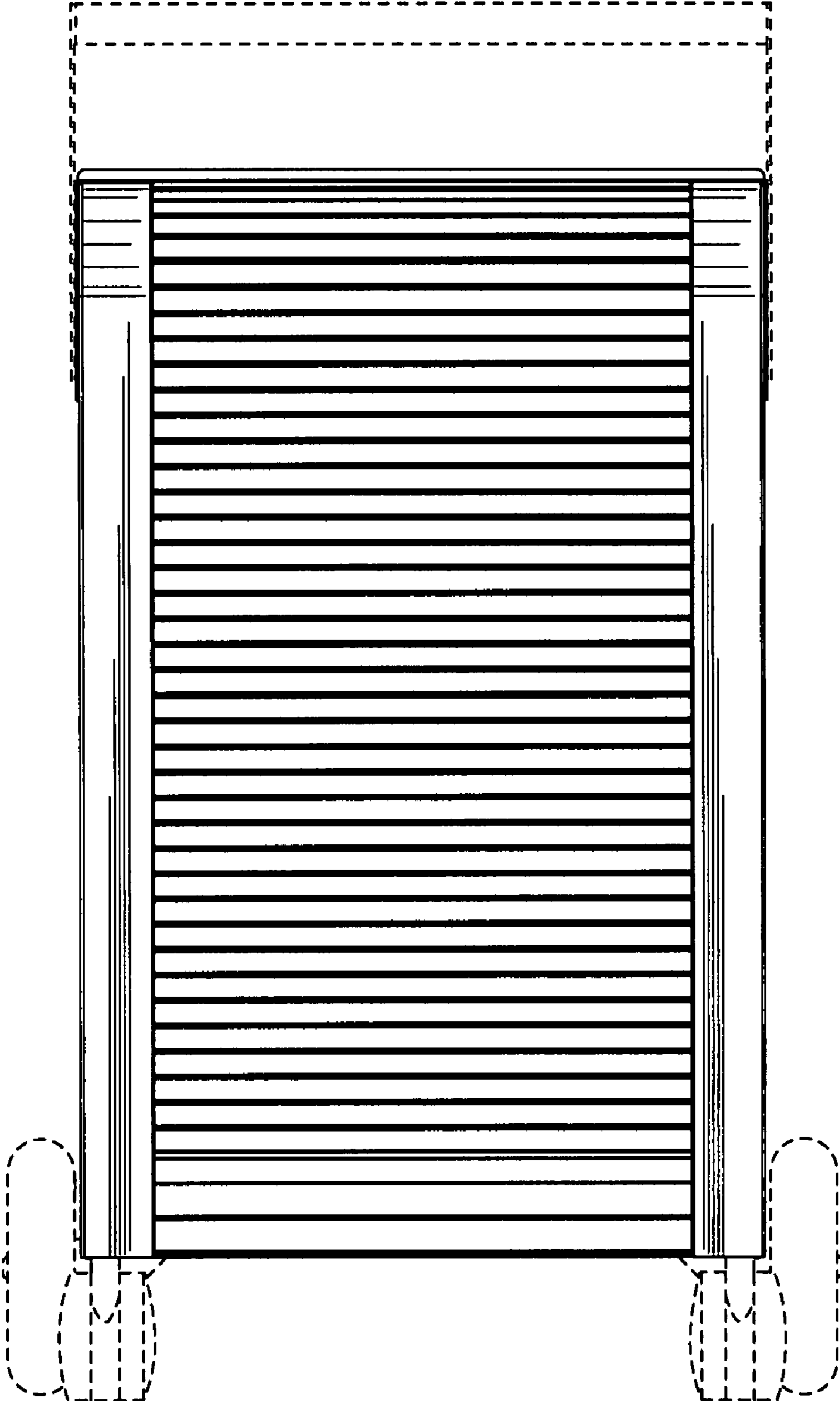


FIG. 3

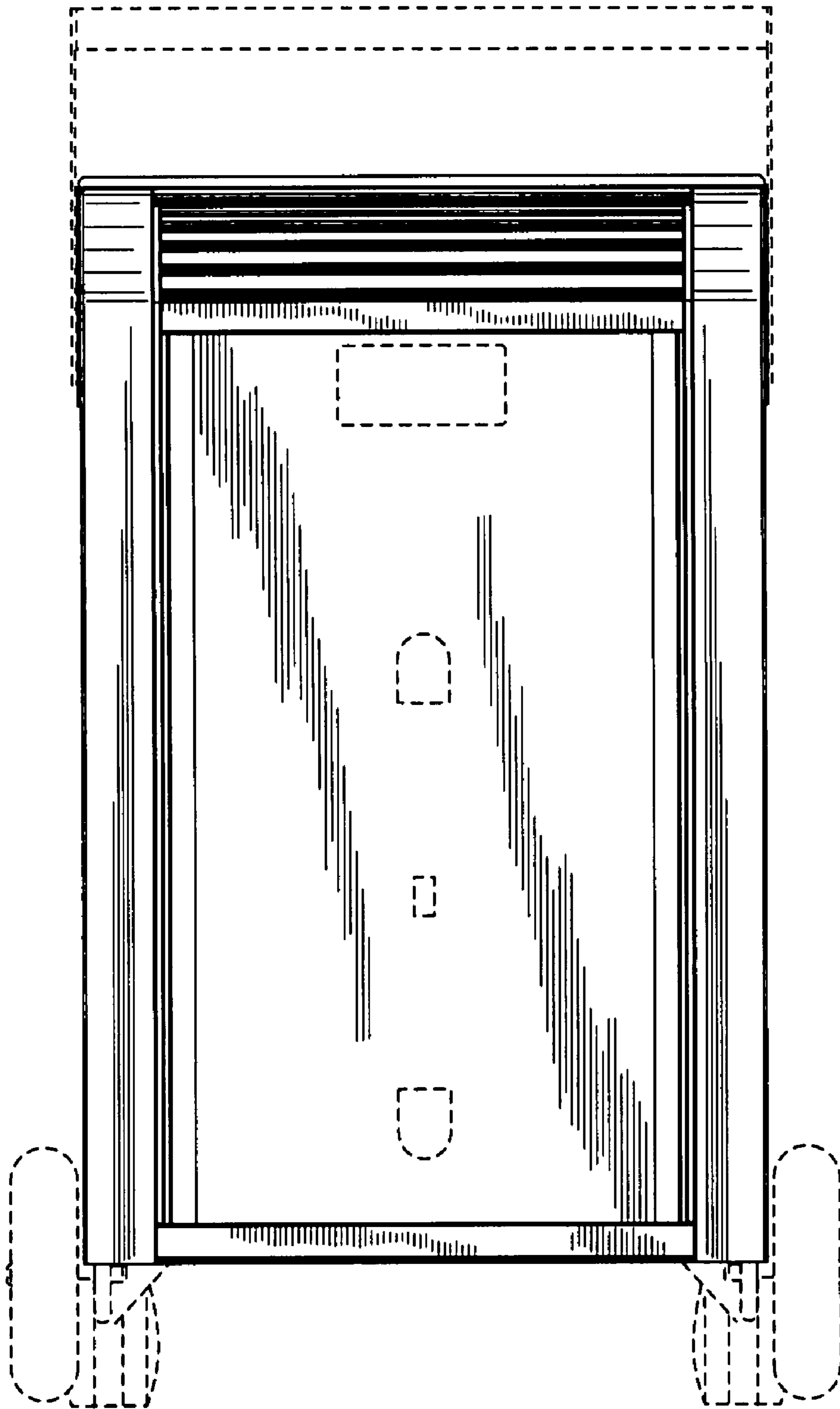


FIG. 4

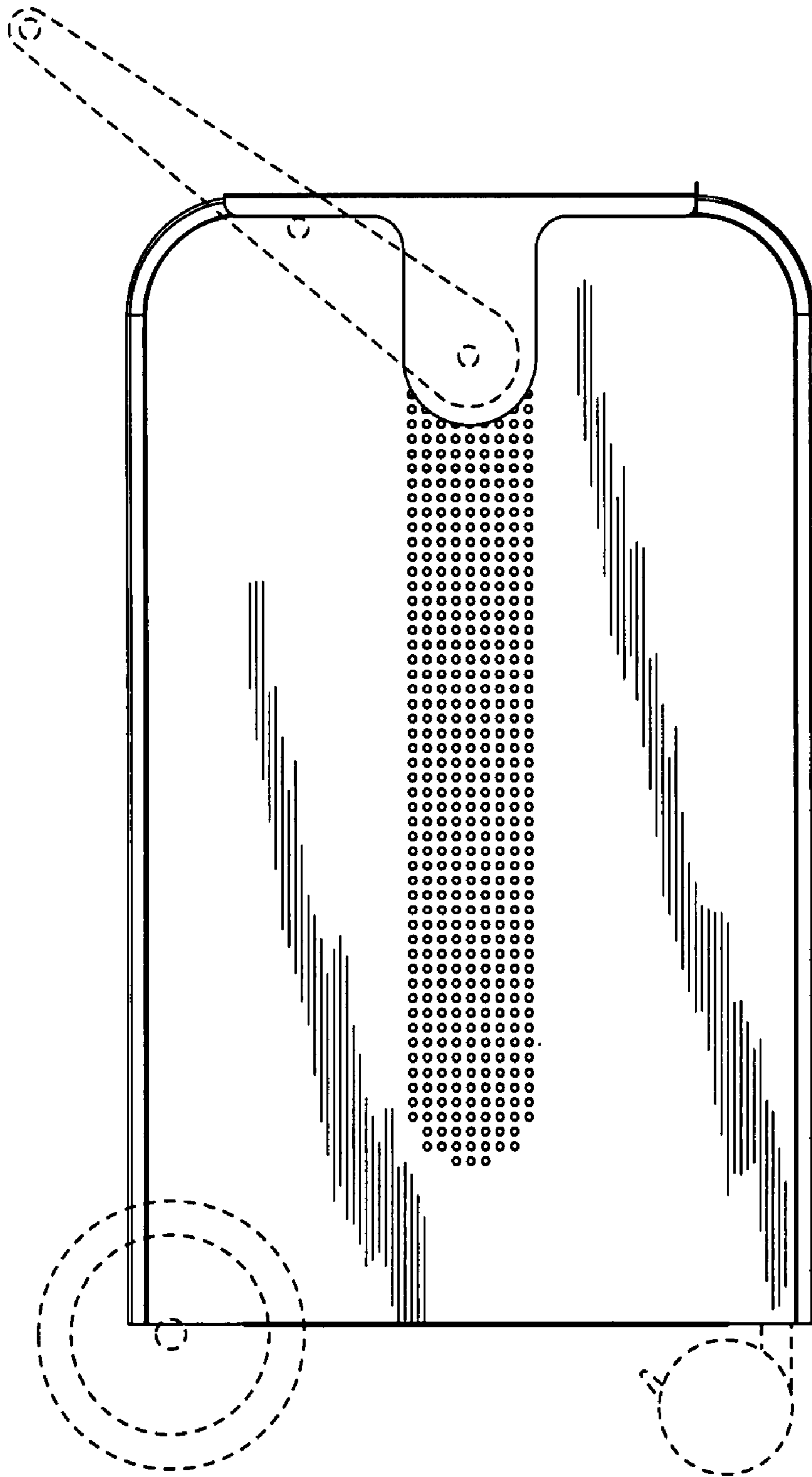


FIG. 5

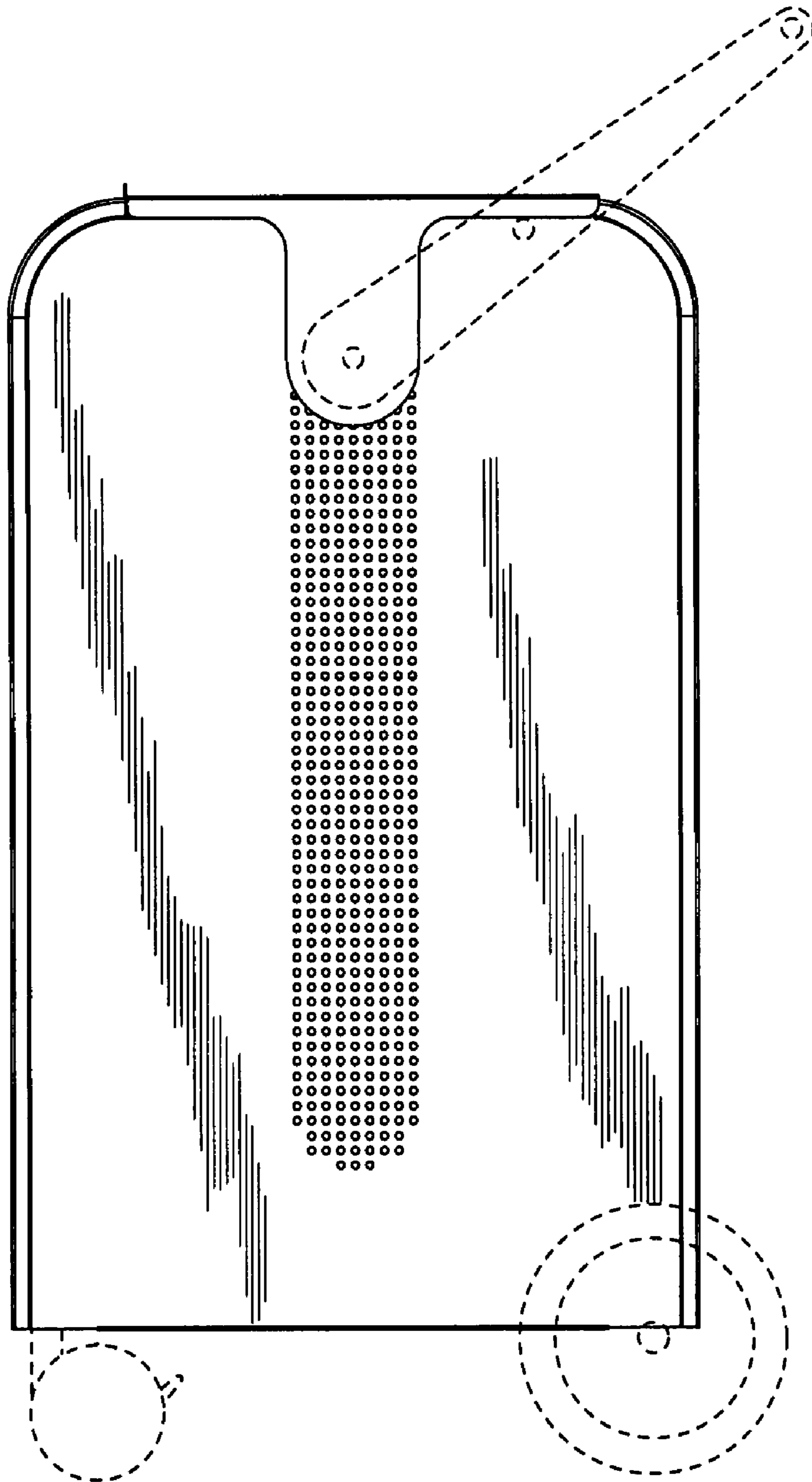


FIG. 6

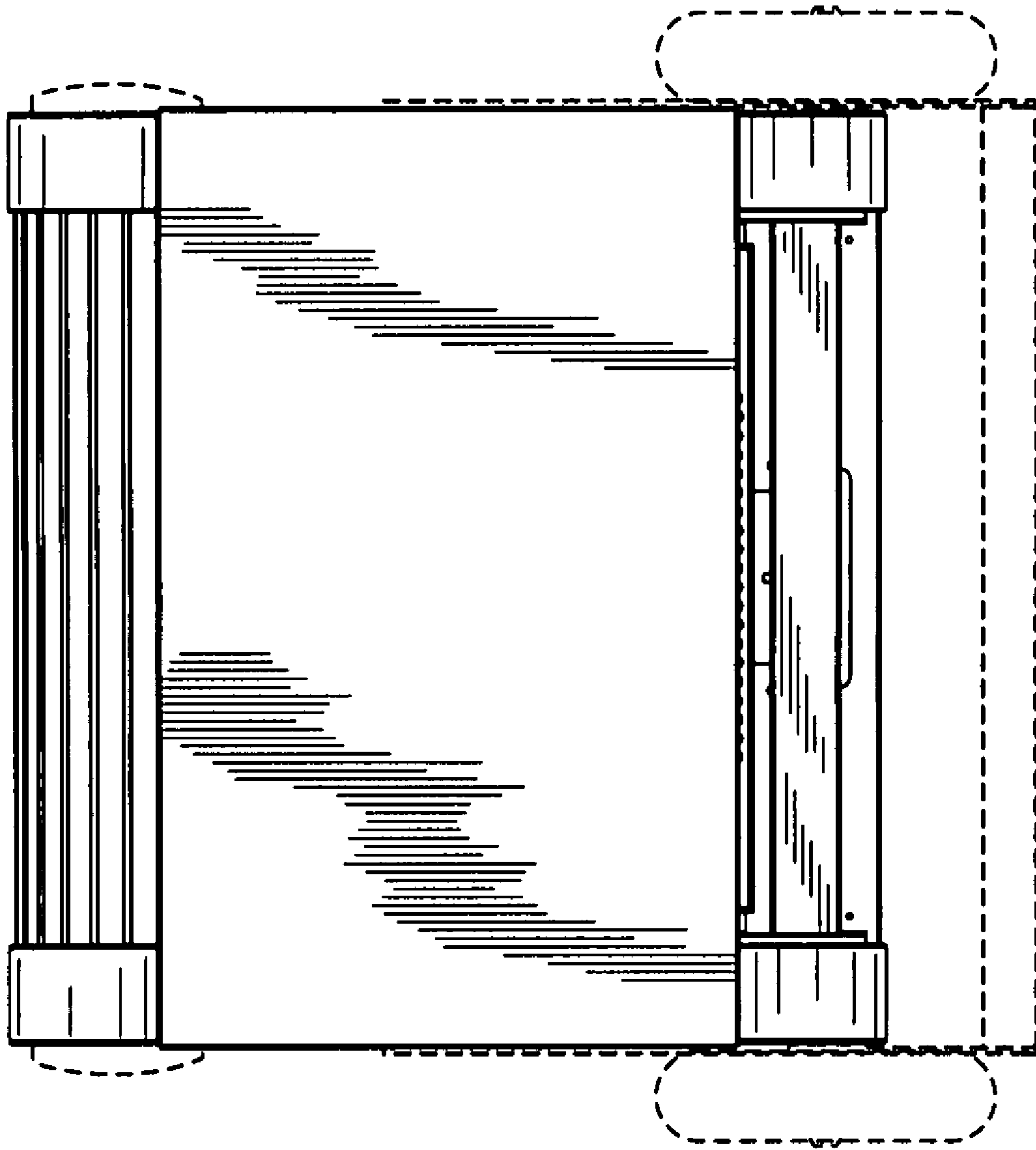


FIG. 7

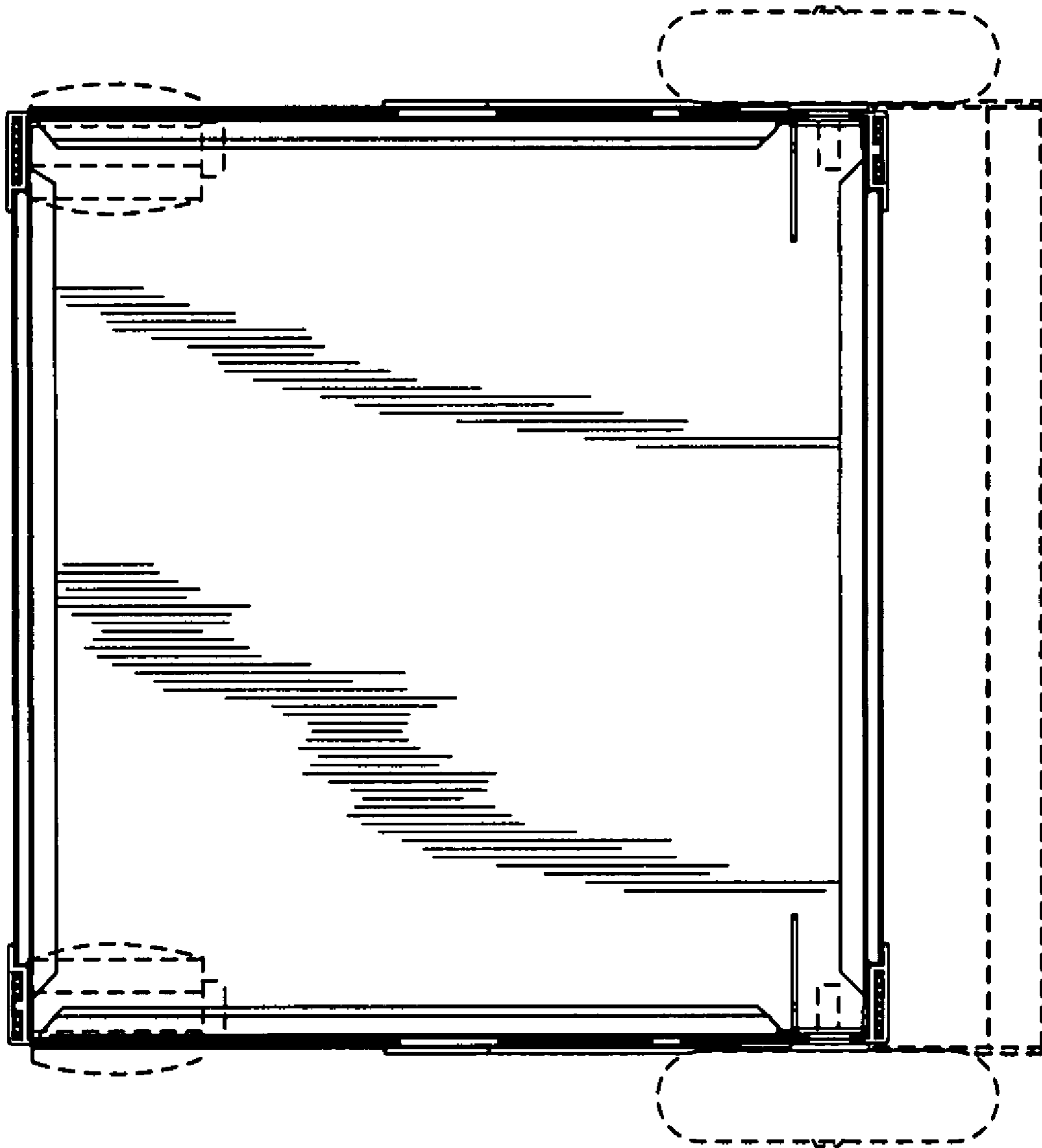


FIG. 8