

US00D561968S

(12) **United States Design Patent**
Yang et al.

(10) **Patent No.:** **US D561,968 S**
(45) **Date of Patent:** **** Feb. 12, 2008**

(54) **COUNTER TOP TRASH CAN**
(75) Inventors: **Frank Yang**, Rancho Palos Verdes, CA (US); **Tzu-Hao Wei**, Hacienda Heights, CA (US); **William Shyh-Chen Hsu**, Diamond Bar, CA (US)
(73) Assignee: **Simplehuman LLC**, Torrance, CA (US)
(**) Term: **14 Years**
(21) Appl. No.: **29/272,027**
(22) Filed: **Jan. 31, 2007**
(51) **LOC (8) Cl.** **09-09**
(52) **U.S. Cl.** **D34/7**
(58) **Field of Classification Search** D34/1, D34/5, 6, 7, 8, 9, 10, 11; 220/908-913
See application file for complete search history.

D261,720 S 11/1981 Brazis
4,363,417 A 12/1982 Rhoades et al.
4,913,308 A 4/1990 Culbertson
4,953,744 A 9/1990 Koyama
D319,905 S 9/1991 Hotchkiss
D322,350 S 12/1991 Craft et al.
D327,756 S 7/1992 Klein et al.
D332,852 S 1/1993 Delmerico
D333,897 S 3/1993 Ward
5,249,693 A 10/1993 Gillispie et al.
D355,060 S 1/1995 Bernstein et al.
D355,740 S 2/1995 Kirchner
D360,062 S 7/1995 Mosior
5,531,348 A 7/1996 Baker et al.
D380,114 S 6/1997 Albright
D381,784 S 7/1997 Keller et al.
5,842,595 A 12/1998 Williams
D435,951 S 1/2001 Yang et al.
D447,611 S 9/2001 Lin
D450,414 S * 11/2001 Rashid D34/11
D450,901 S 11/2001 Lin

(56) **References Cited**

U.S. PATENT DOCUMENTS

966,145 A 8/1910 Wilder
1,265,148 A 5/1918 Warren
1,379,677 A 5/1921 Brunhoff
1,461,253 A 7/1923 Owen
1,479,634 A 1/1924 Toscan
1,703,509 A 2/1929 Chandlee
1,799,621 A 4/1931 Shaw
1,820,555 A 8/1931 Buscham
1,881,120 A 10/1932 Fessler et al.
1,966,323 A 7/1934 Von Elm
2,016,558 A 10/1935 Redrup
2,195,033 A 3/1940 Lehman
2,216,279 A 10/1940 Packer
2,246,975 A 6/1941 Geibel
2,563,456 A 8/1951 Brownell
2,910,206 A 10/1959 Hodgson
D191,546 S 10/1961 Garner
3,008,504 A 11/1961 Garner
3,023,922 A 3/1962 Arrington et al.
3,450,297 A 6/1969 Clerk
D215,617 S 10/1969 Heck
D229,473 S 12/1973 Henry
D241,499 S 9/1976 Raftery

(Continued)

Primary Examiner—Cynthia E. Ramirez
(74) *Attorney, Agent, or Firm*—Raymond Sun

(57) **CLAIM**

The ornamental design for a counter top trash can, as shown and described.

DESCRIPTION

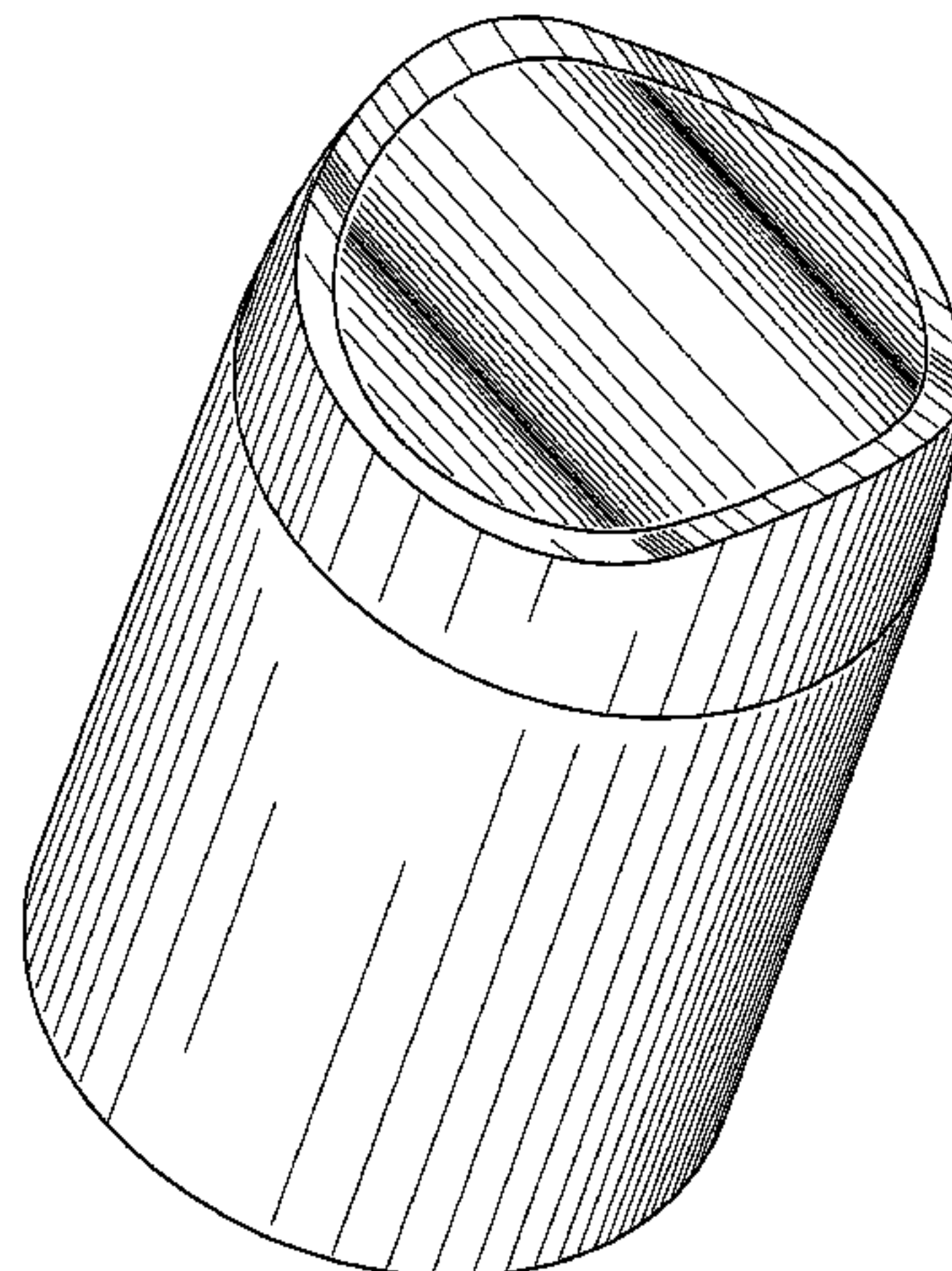
FIG. 1 is a perspective view of the counter top trash can showing my new design.

FIG. 2 is a front elevational view of the counter top trash can of FIG. 1.

FIG. 3 is a side elevational view of the counter top trash can of FIG. 1; and,

FIG. 4 is a top plan view of the counter top trash can of FIG. 1.

1 Claim, 4 Drawing Sheets



US D561,968 S

Page 2

U.S. PATENT DOCUMENTS

D452,356 S	12/2001	Zimmerman	
D453,252 S	1/2002	Lin	
D453,600 S	2/2002	Lin	
D453,870 S	2/2002	Lin	
D454,239 S	3/2002	Lin	
6,386,386 B1	5/2002	George	
D465,630 S	11/2002	Lin	
D465,893 S	11/2002	Lin	
D470,290 S *	2/2003	Harvey D34/11
D470,639 S	2/2003	Lin	
D472,688 S	4/2003	Lin	
D473,360 S *	4/2003	Fuller D34/7
D476,460 S	6/2003	Lin	
D480,193 S	9/2003	Wang	
6,623,316 B1	9/2003	Yang	
6,626,316 B2	9/2003	Yang	
D481,187 S	10/2003	Sofy et al.	
D481,508 S	10/2003	Wang	
D482,169 S	11/2003	Lin	
D482,832 S	11/2003	Lin	
D482,833 S	11/2003	Lin	
D483,165 S *	12/2003	Dretzka D34/7
D483,166 S *	12/2003	Lin D34/7
D488,604 S	4/2004	Yang et al.	
D488,902 S	4/2004	Yang et al.	
D489,856 S	5/2004	Yang et al.	
D489,857 S	5/2004	Yang et al.	
D490,583 S	5/2004	Yang et al.	
D491,706 S	6/2004	Yang et al.	
D503,021 S	3/2005	Yang et al.	
D507,090 S	7/2005	Yang et al.	
7,033,039 B2	4/2006	Lin	
D522,203 S	5/2006	Lin	
D525,406 S	7/2006	Wang et al.	
D525,756 S	7/2006	Yang et al.	
D525,757 S	7/2006	Lin	
D526,455 S *	8/2006	Chen D34/8
D526,456 S *	8/2006	Lin D34/9
D527,156 S	8/2006	Lin	
7,086,550 B2	8/2006	Yang et al.	
D528,726 S	9/2006	Lin	

* cited by examiner

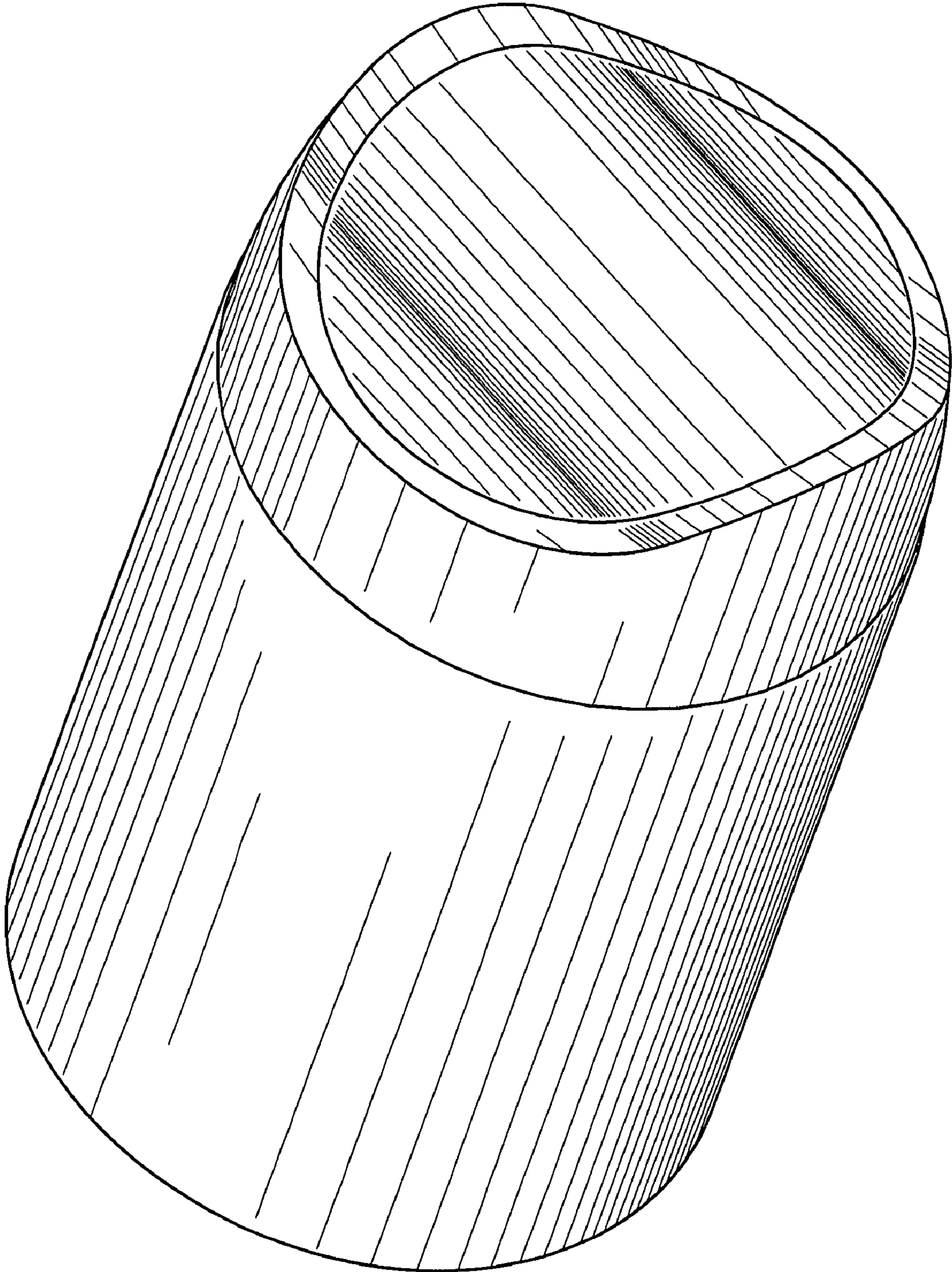


FIG. 1

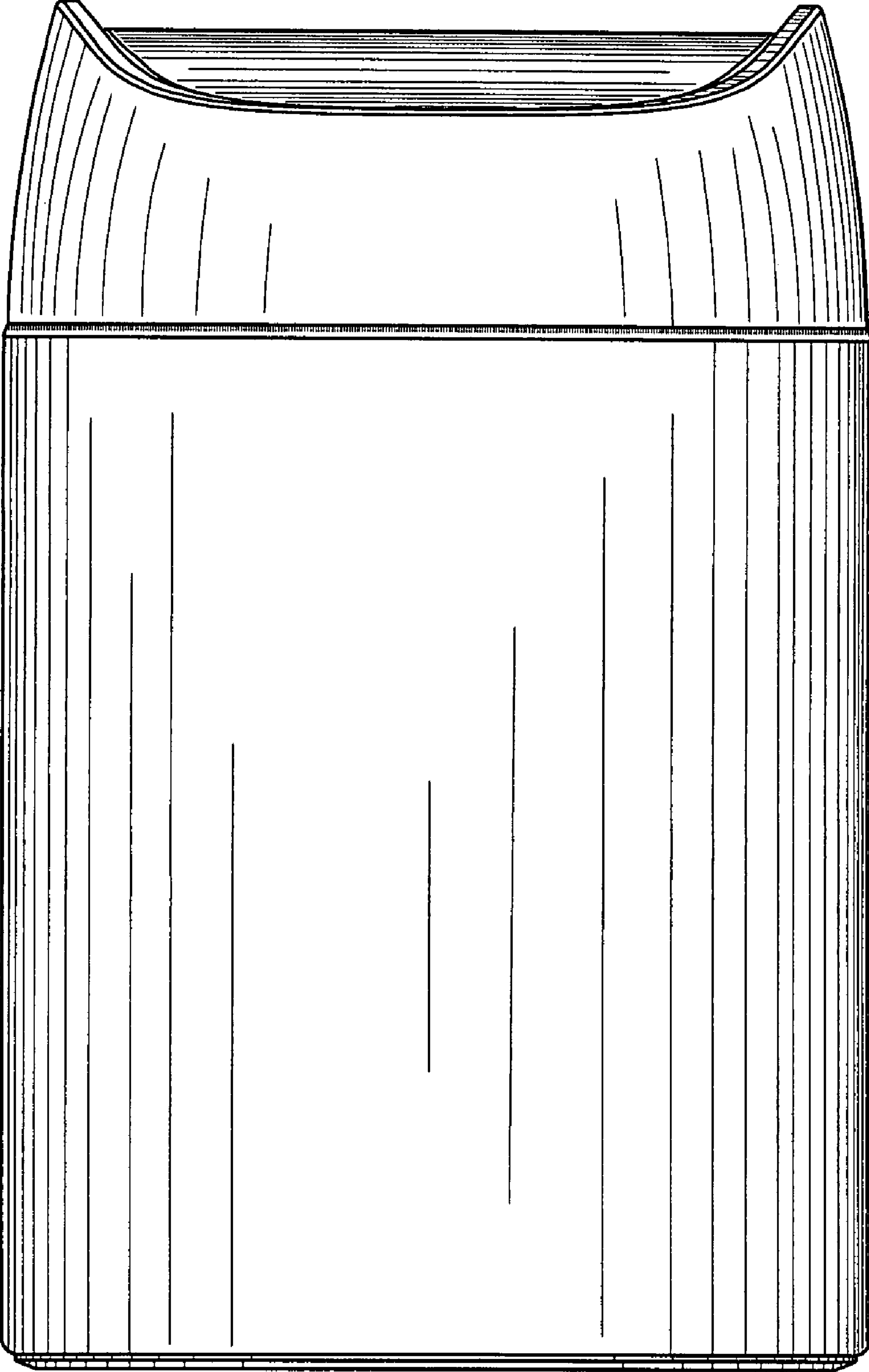


FIG. 2

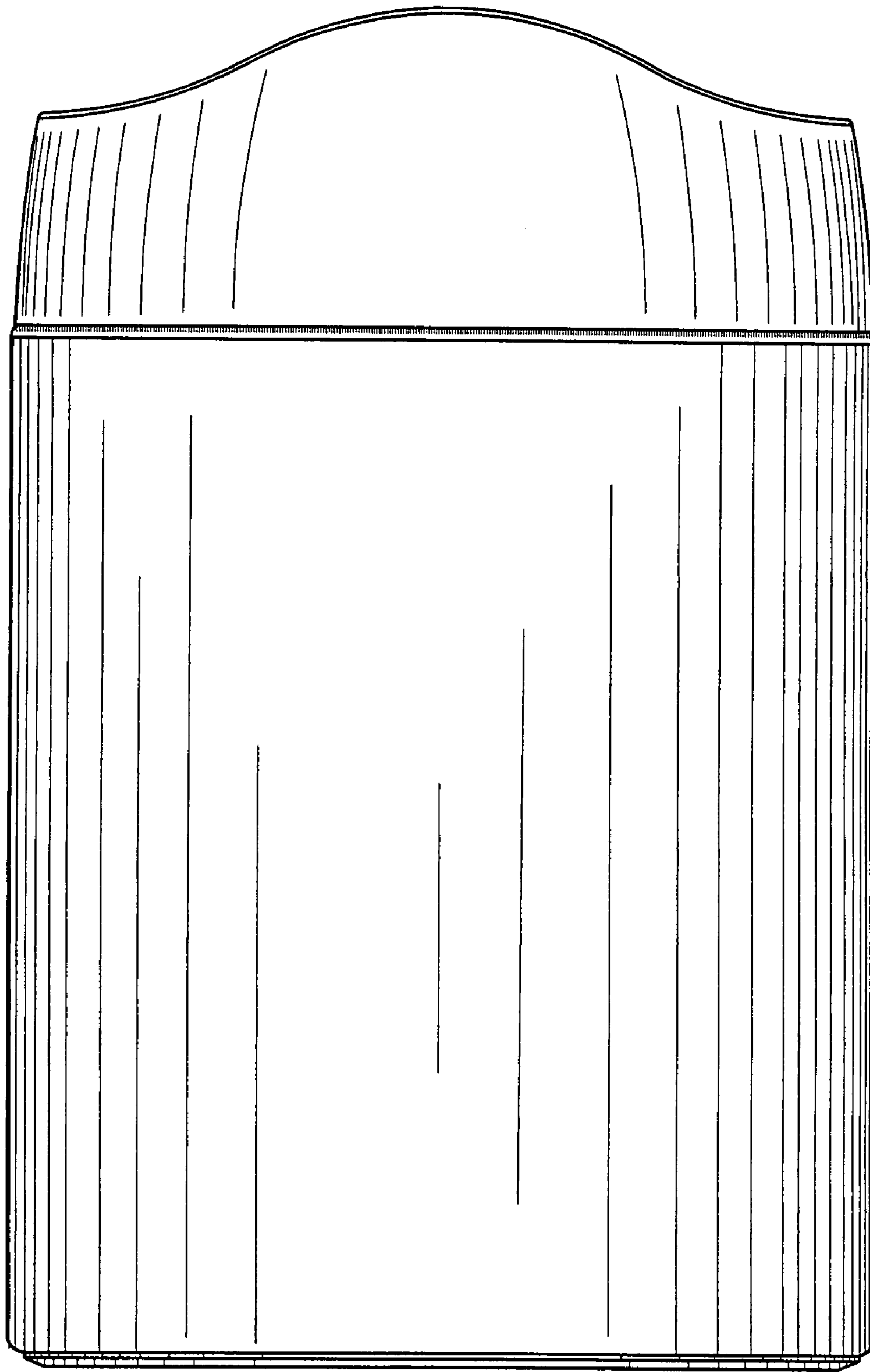


FIG. 3

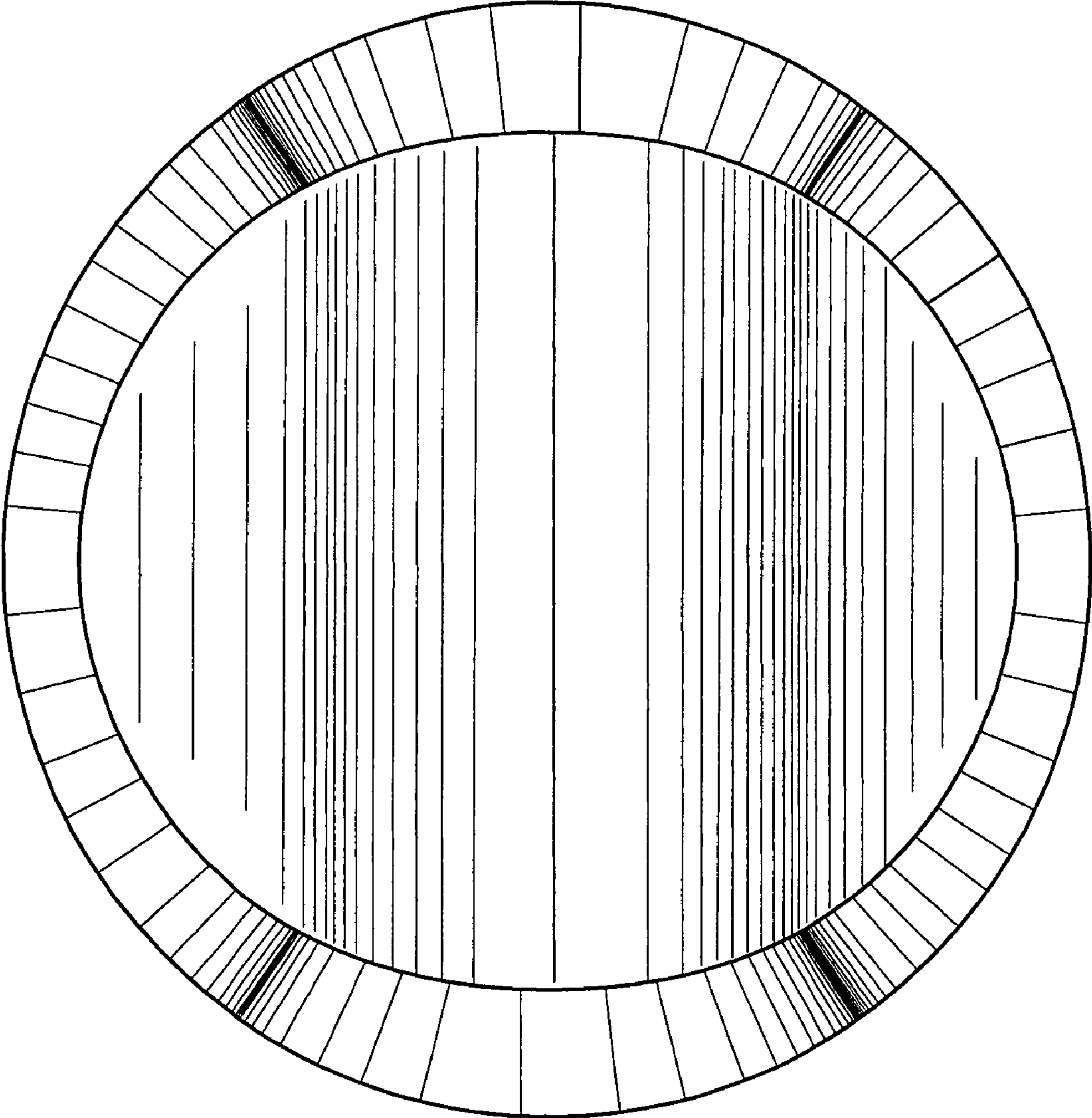


FIG. 4