



US00D561964S

(12) **United States Design Patent**
Brandon et al.

(10) **Patent No.:** **US D561,964 S**
(45) **Date of Patent:** **** Feb. 12, 2008**

(54) **PAINT SPRAY AND ROLLER CONTAINER**

D518,265 S * 3/2006 Prokop et al. D32/53.1

(75) Inventors: **Dwayne K. Brandon**, Damascus, OR (US); **Robert S. Leighton**, Seattle, WA (US)

* cited by examiner

Primary Examiner—Pamela J. Burgess
(74) *Attorney, Agent, or Firm*—Portland Intellectual Property, LLC

(73) Assignee: **Superior Tape & Label Incorporated**, Portland, OR (US)

(57) **CLAIM**

(**) Term: **14 Years**

The ornamental design for a paint spray and roller container, substantially as shown and described.

(21) Appl. No.: **29/286,394**

(22) Filed: **May 4, 2007**

DESCRIPTION

(51) **LOC (8) Cl.** **07-07**

FIG. 1 is a right side perspective view of a paint spray and roller container showing our new design.

(52) **U.S. Cl.** **D32/53.1**

FIG. 2 is a top view thereof.

(58) **Field of Classification Search** D32/53.1,
D32/53, 54; D9/432; 220/254.1, 254.8,
220/600, 639, 645, 652, 660, 669; 206/503,
206/508

FIG. 3 is a bottom view thereof.

FIG. 4 is a front elevation thereof.

See application file for complete search history.

FIG. 5 is a back elevation thereof.

FIG. 6 is a left side elevation thereof; and,

FIG. 7 is a right side elevation thereof.

(56) **References Cited**

The broken lines shown in the drawings are for illustrative purposes only and form no part of the claimed design.

U.S. PATENT DOCUMENTS

- D303,857 S * 10/1989 Hieronymus D32/35
- D426,925 S * 6/2000 Axhamre D32/53
- D518,264 S * 3/2006 Renzello D32/53.1

1 Claim, 5 Drawing Sheets

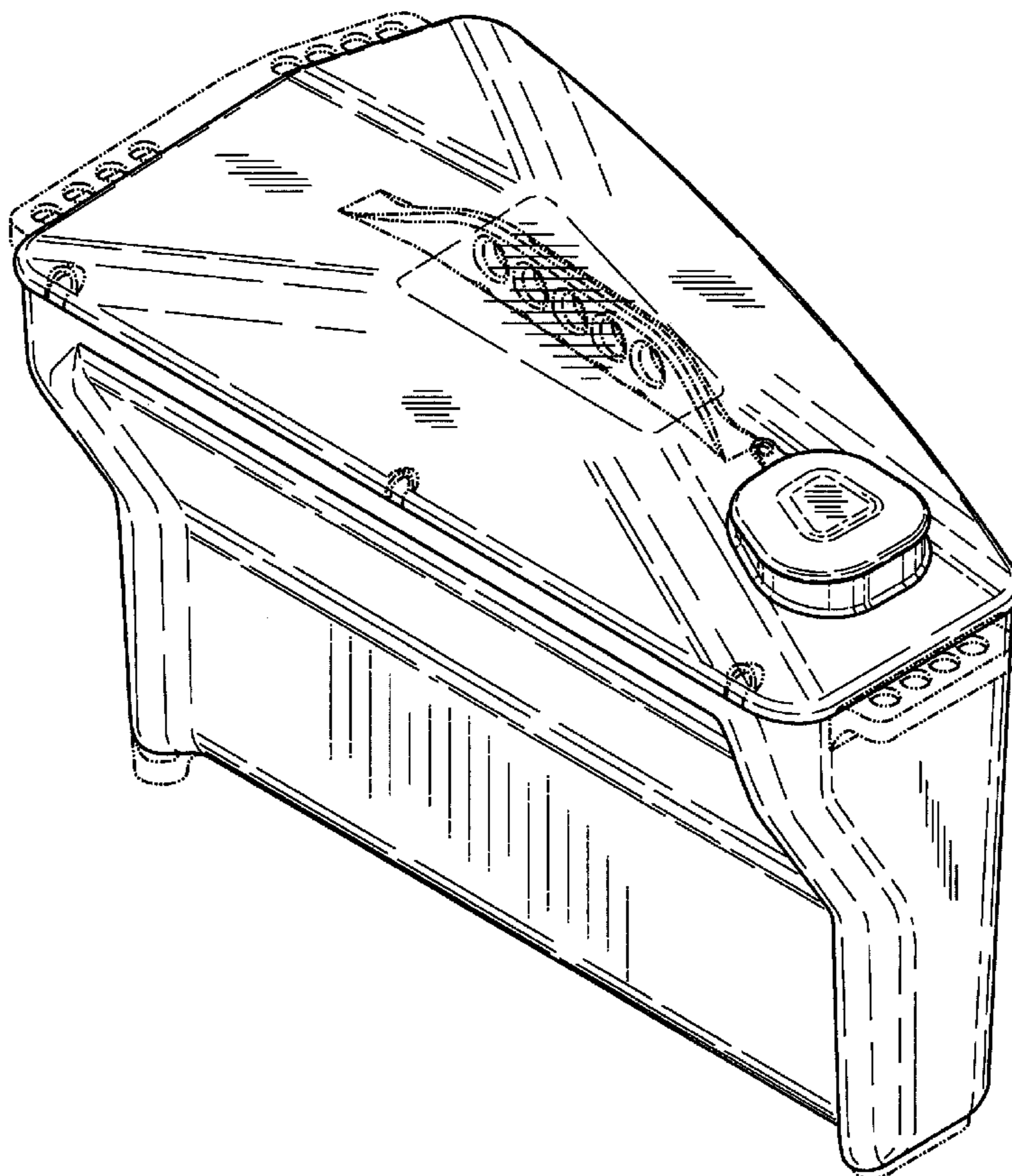
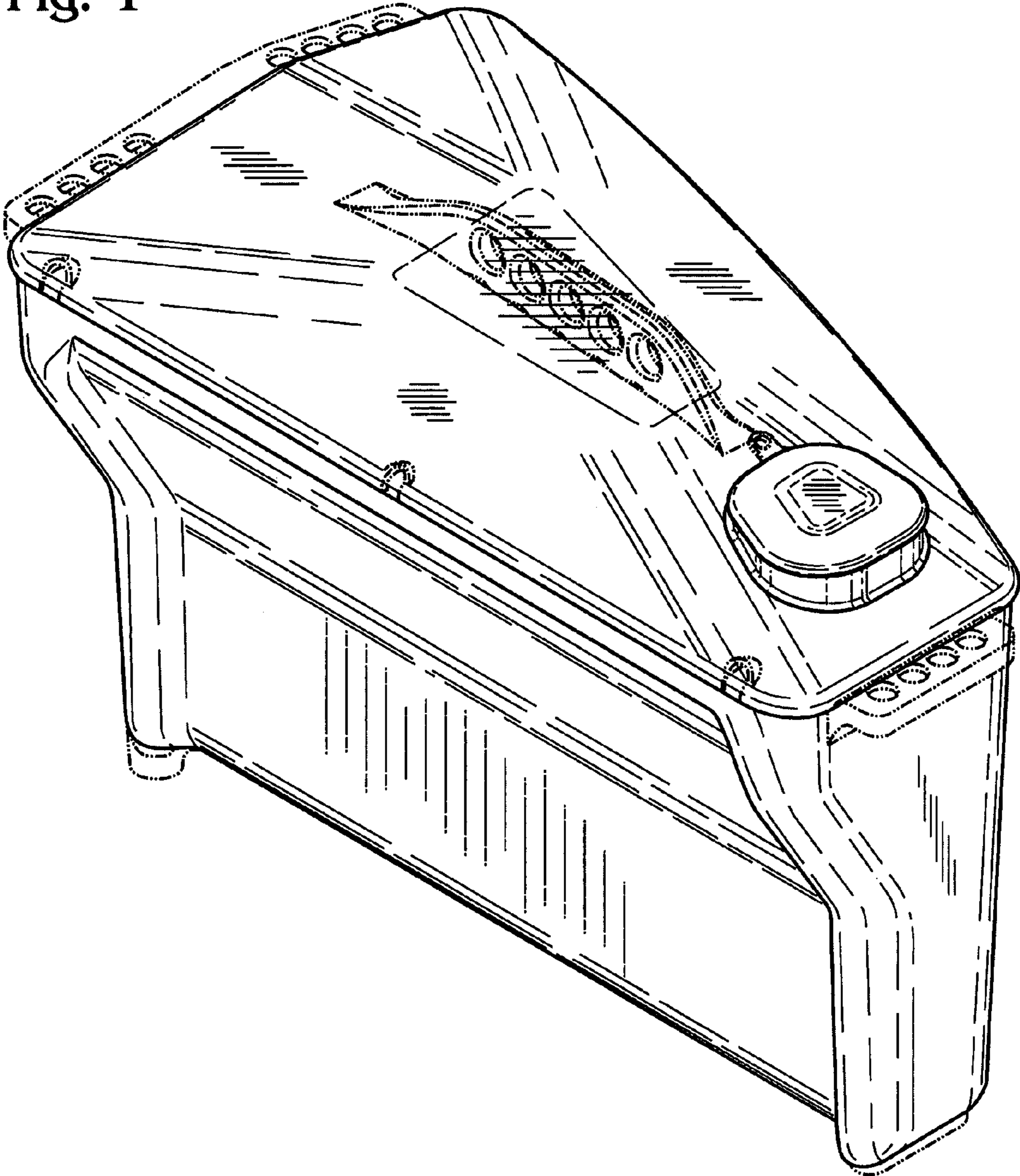


Fig. 1



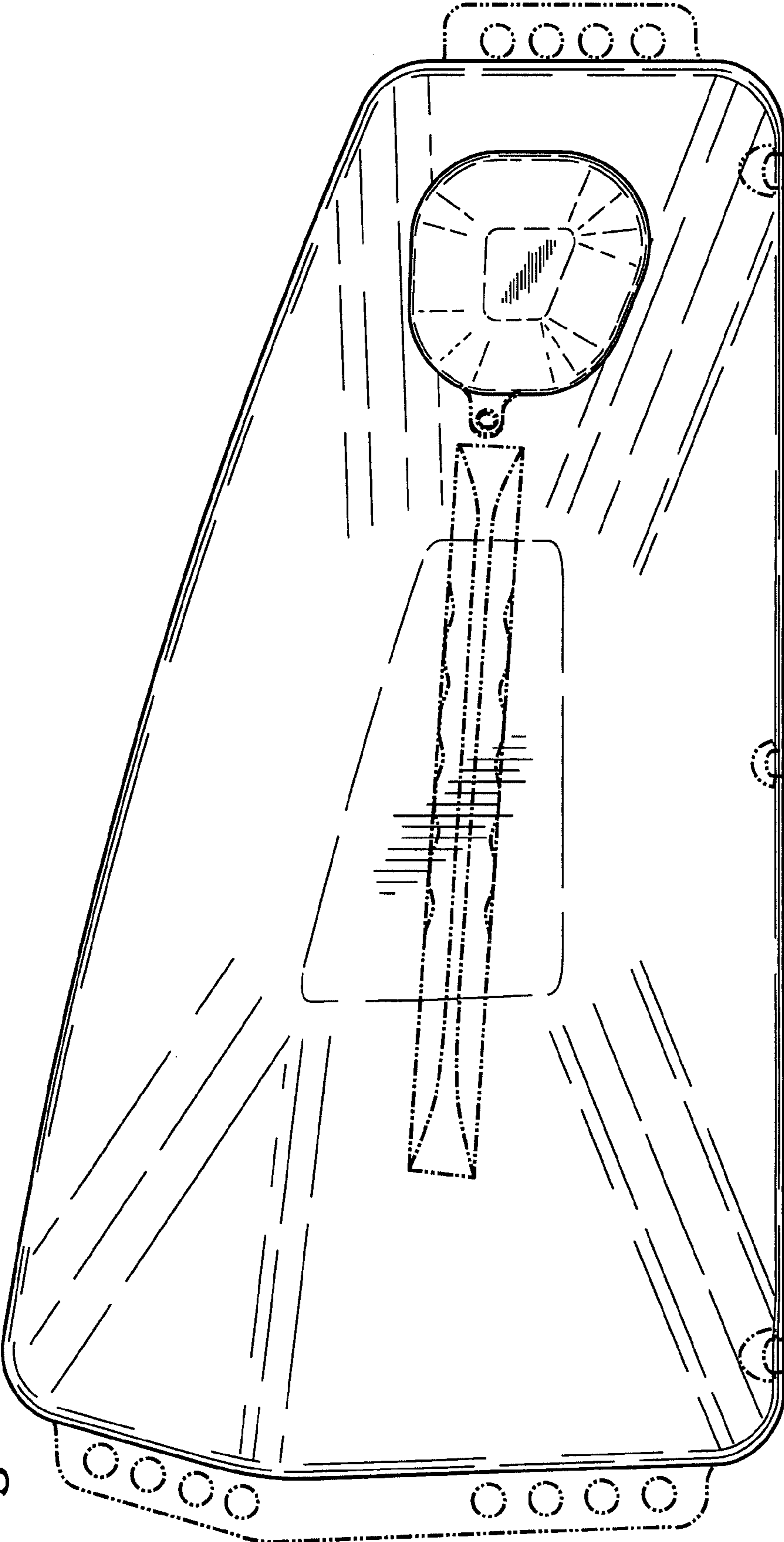


Fig. 2

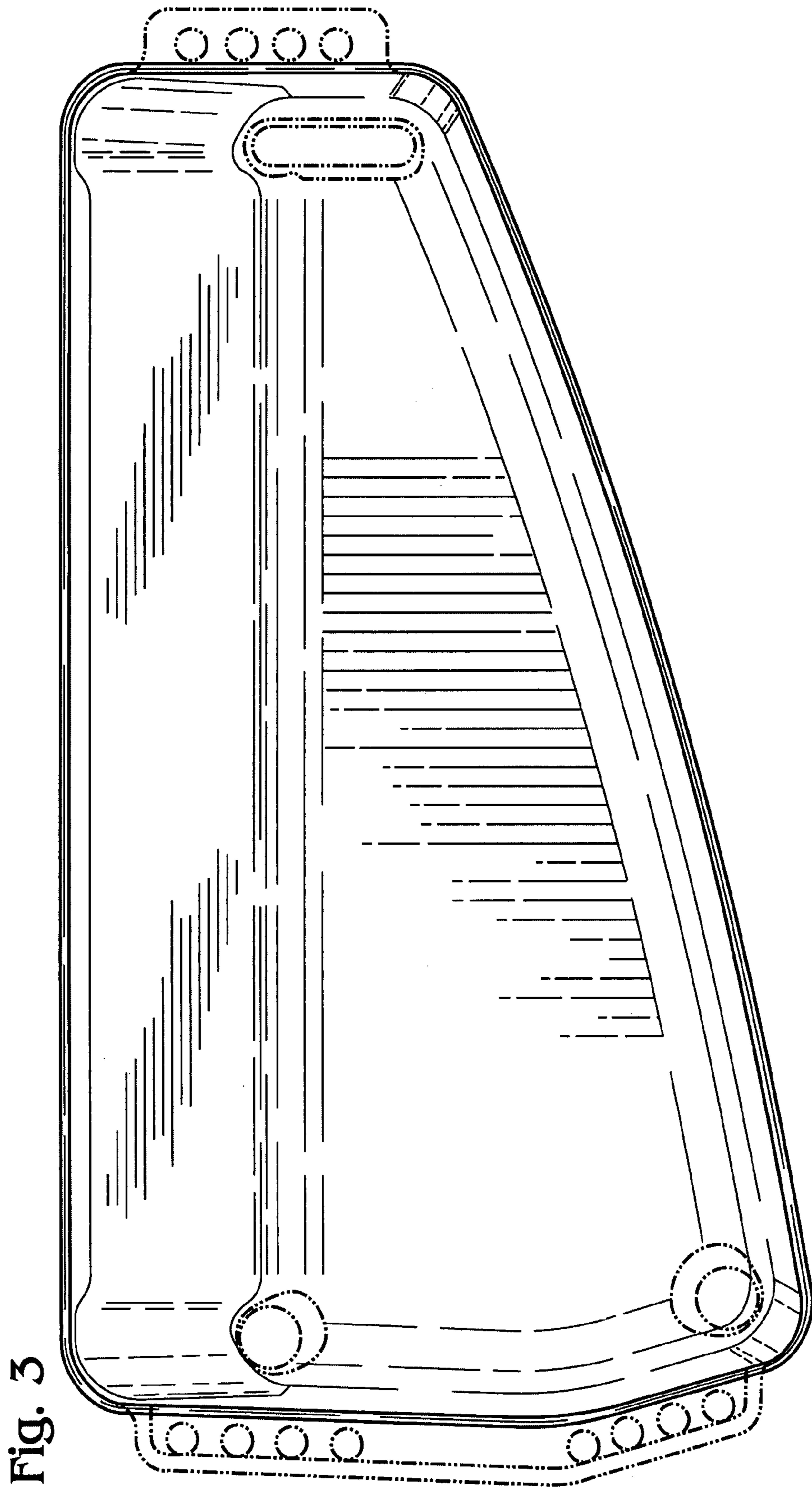


Fig. 3

Fig. 5

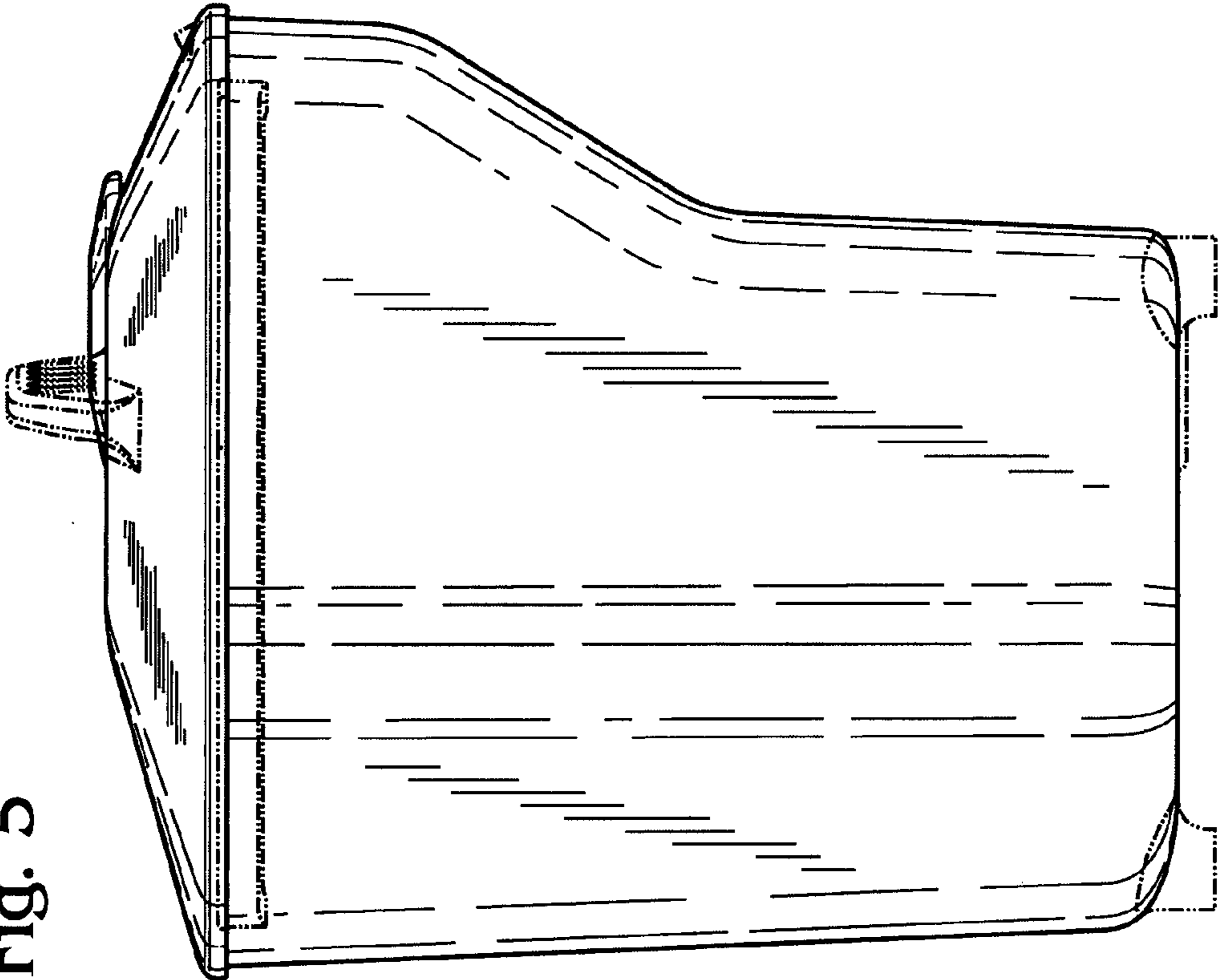


Fig. 4

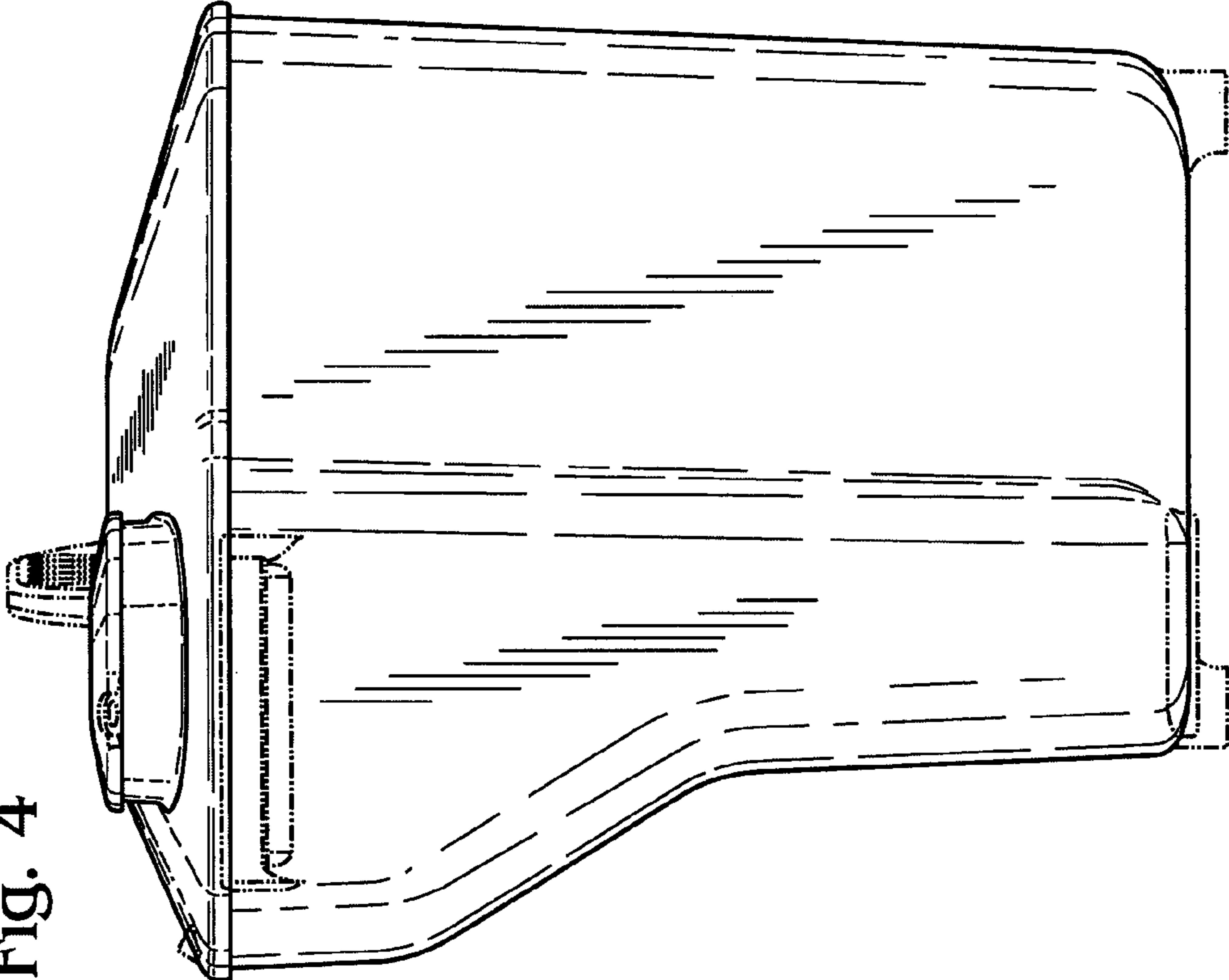


Fig. 6

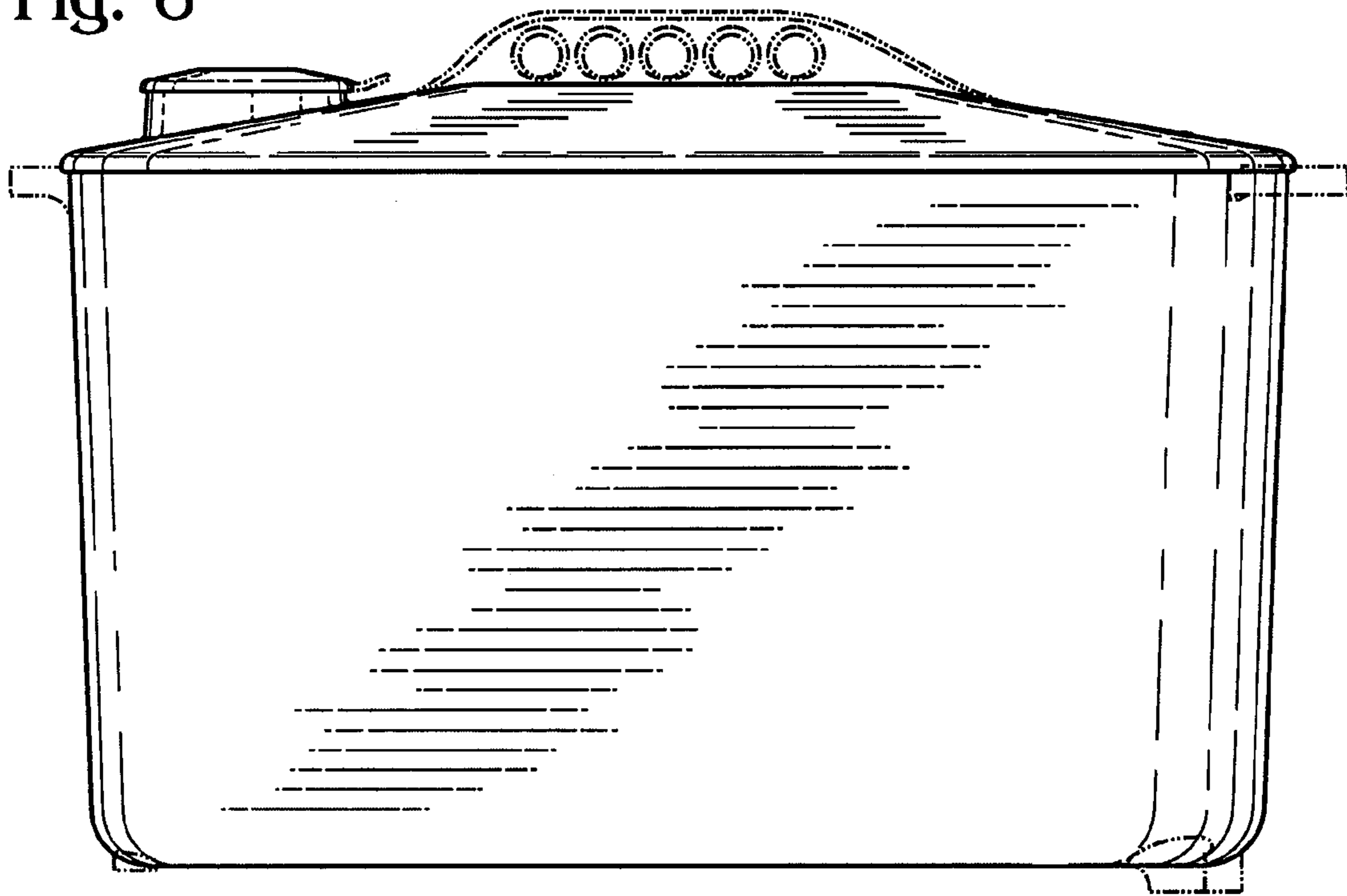


Fig. 7

