

US00D561959S

(12) **United States Design Patent**
Hahn

(10) **Patent No.:** **US D561,959 S**
(45) **Date of Patent:** **** Feb. 12, 2008**

(54) **STEAM CLEANER**

(76) Inventor: **Gyung Hee Hahn**, #401, Miwon 2cha
Apartment, 433-9, Mangwon 2-dong,
Mapo-gu, Seoul 121-823 (KR)

(**) Term: **14 Years**

(21) Appl. No.: **29/262,394**

(22) Filed: **Jun. 29, 2006**

(30) **Foreign Application Priority Data**

May 8, 2006 (KR) 30-2006-0016977

(51) **LOC (8) Cl.** **15-05**

(52) **U.S. Cl.** **D32/22**

(58) **Field of Classification Search** D32/17-18,
D32/21-22, 31; 68/222, 5 A, 5 C, 6, 50;
15/320-322, 339, 344, 401, 353; 392/403-406,
392/379; 38/14, 69; 34/622; 223/51, 70;
219/211; 239/538

See application file for complete search history.

(56) **References Cited**

U.S. PATENT DOCUMENTS

D287,653 S	1/1987	Nelson	
D388,562 S	12/1997	Doria	
D399,615 S	10/1998	Hajjar et al.	
D433,546 S *	11/2000	Milanese D32/22
D445,973 S	7/2001	Chen	
D452,051 S	12/2001	Antonio	
D458,424 S	6/2002	Chen	
D468,498 S	1/2003	Santiago et al.	
D471,682 S	3/2003	Chen	
D473,025 S	4/2003	Simmons	
D475,164 S	5/2003	Murray et al.	
D485,651 S	1/2004	Lin	

D486,279 S	2/2004	Chen	
D488,269 S	4/2004	Tsai	
D489,499 S	5/2004	Buzzi	
D499,517 S	12/2004	Chen	
D500,180 S	12/2004	Meyer	
D501,587 S	2/2005	Hopper et al.	
D504,198 S	4/2005	Hopper et al.	
D505,526 S	5/2005	Tsen	
D516,759 S	3/2006	Lam	
D519,249 S	4/2006	Liu et al.	
D519,694 S	4/2006	Rosenzweig et al.	
D520,196 S	5/2006	Liu	
D522,192 S	5/2006	Liu et al.	
D523,597 S	6/2006	Lee	
D525,399 S	7/2006	Alday Lesaga	
2004/0144140 A1 *	7/2004	Lee 68/222

* cited by examiner

Primary Examiner—Ruth McInroy

(74) *Attorney, Agent, or Firm*—Black Lowe & Graham
PLLC

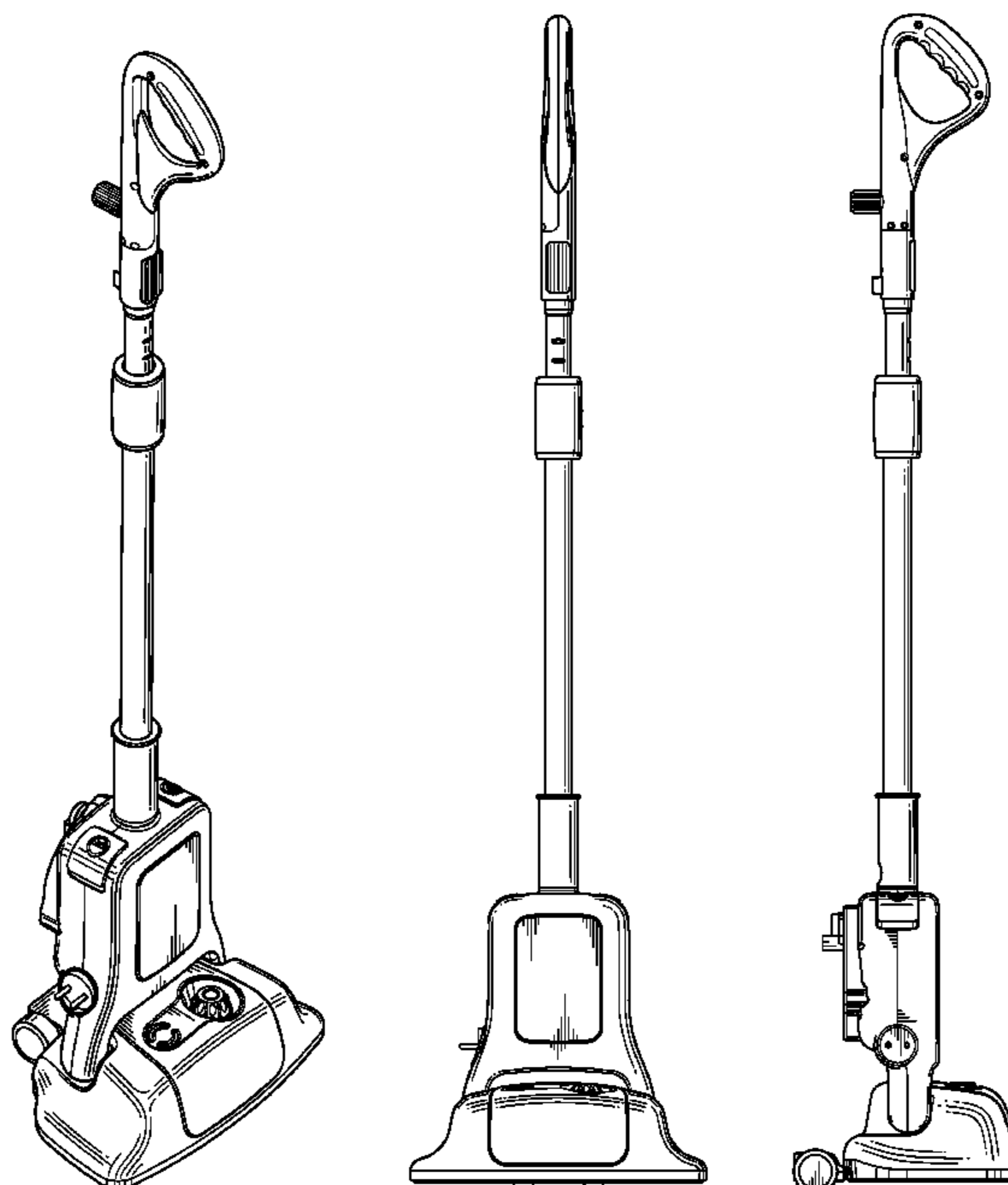
(57) **CLAIM**

I claim the ornamental design for a steam cleaner, as shown
and described.

DESCRIPTION

FIG. 1 is a perspective view of the steam cleaner;
FIG. 2 is a front side view;
FIG. 3 is a rear side view;
FIG. 4 is a left side view;
FIG. 5 is a right side view;
FIG. 6 is a top plan view; and,
FIG. 7 is a bottom plan view of the steam cleaner.

1 Claim, 3 Drawing Sheets



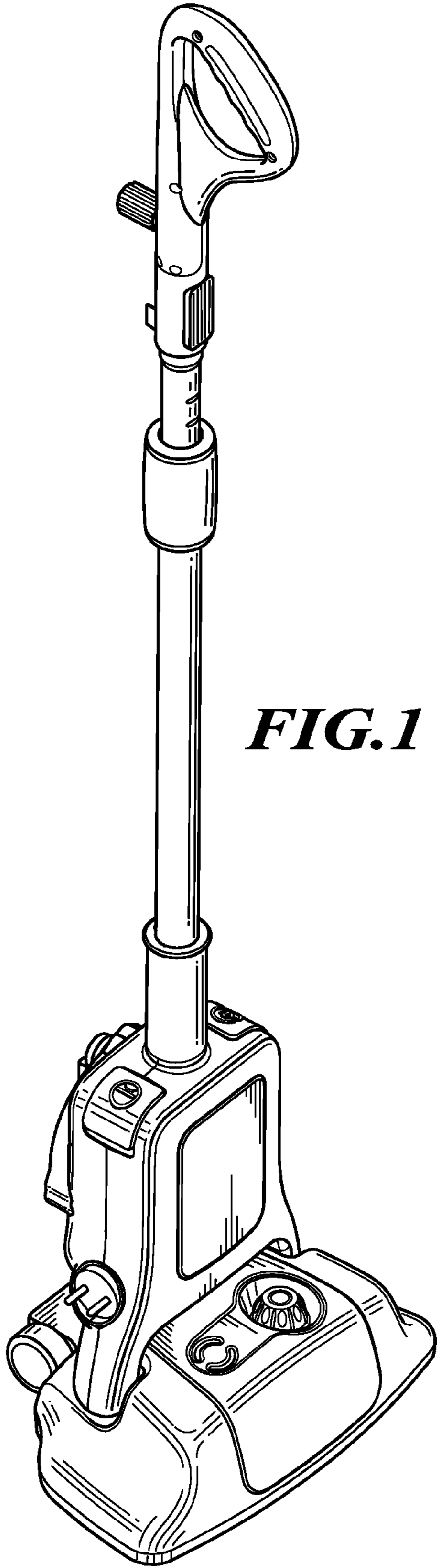


FIG. 1

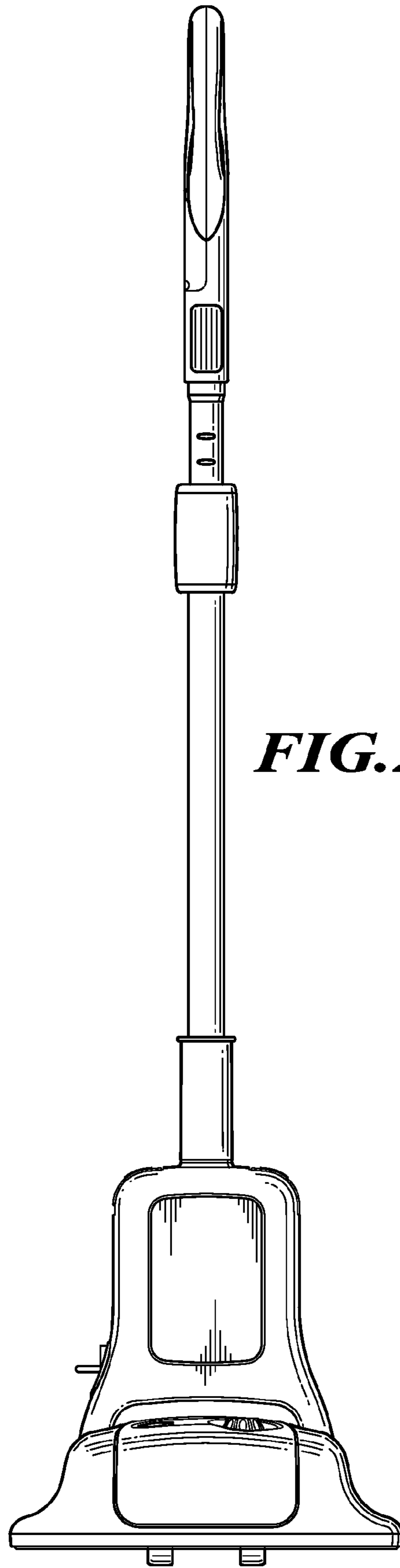


FIG. 2

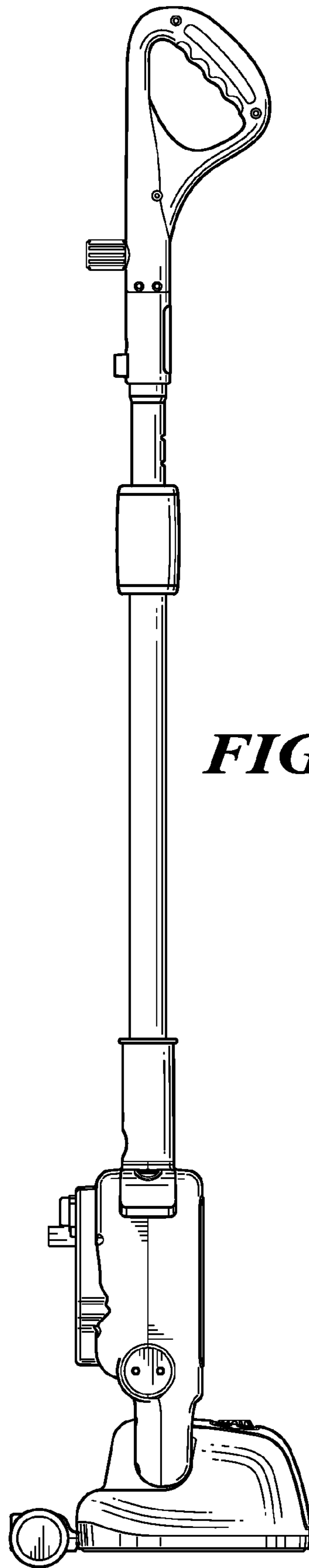
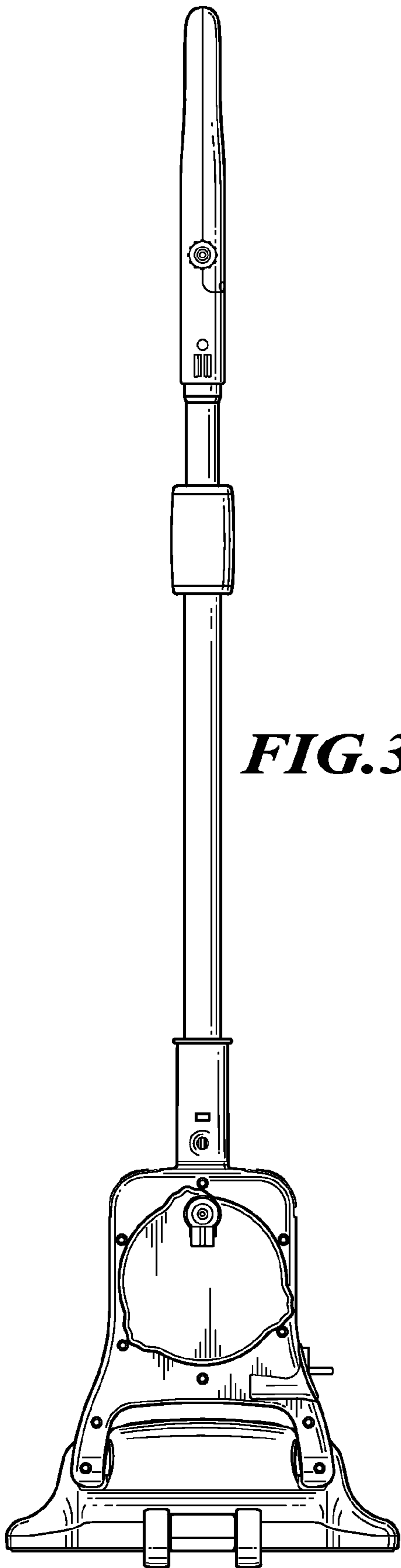




FIG. 5

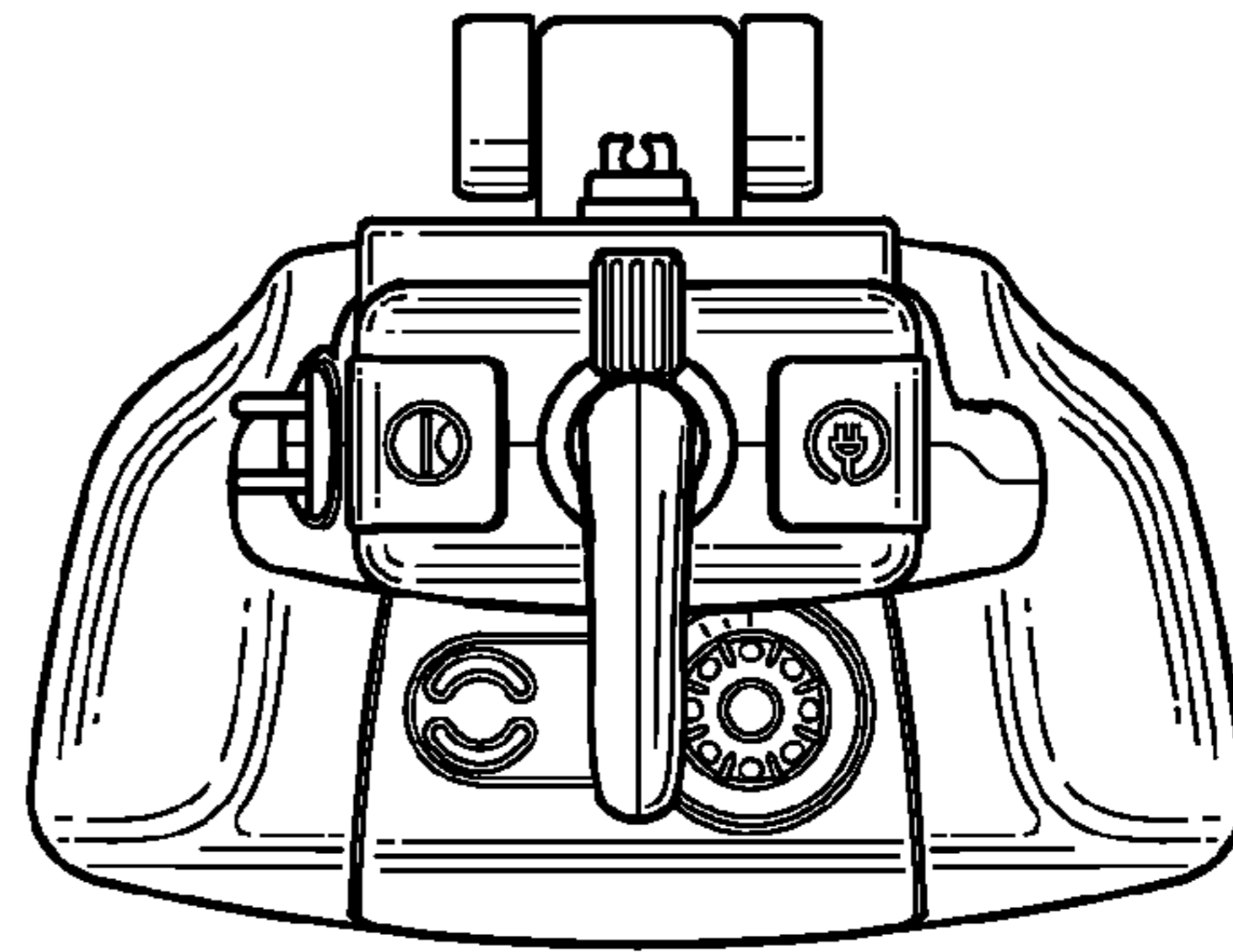


FIG. 6

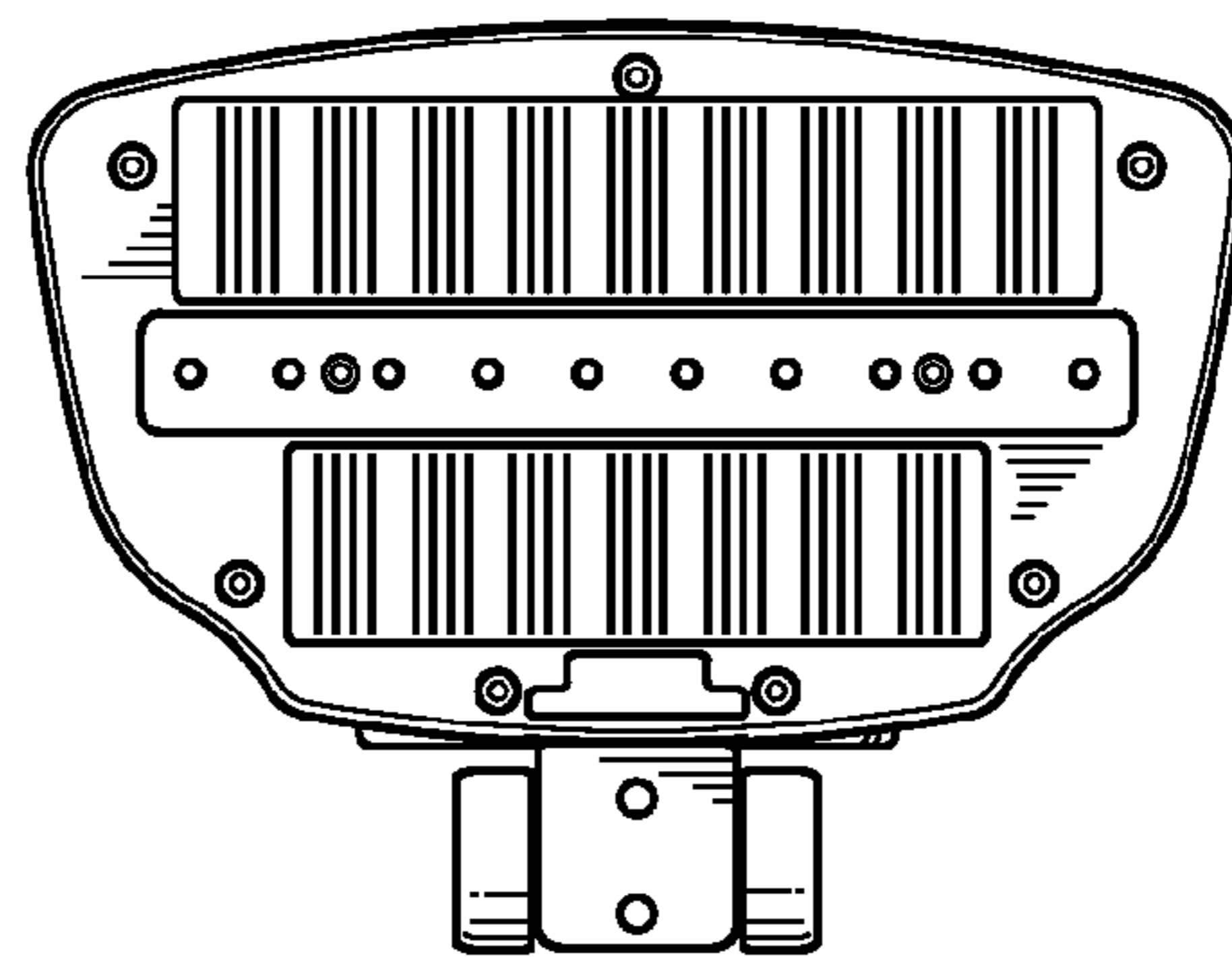


FIG. 7