



US00D561957S

(12) **United States Design Patent** (10) **Patent No.:** **US D561,957 S**
Browne et al. (45) **Date of Patent:** **** Feb. 12, 2008**

(54) **LAUNDRY APPLIANCE**
(75) Inventors: **Jeffrey M. Browne**, Benton Harbor, MI (US); **Rajat Shail**, St. Joseph, MI (US); **Michael K. Patton**, St. Joseph, MI (US); **Wyatt A. Cline**, St. Joseph, MI (US); **Seth E. Bixby**, Stevensville, MI (US)

D518,251 S 3/2006 Kwon et al.
D518,256 S 3/2006 Kim et al.
D519,247 S 4/2006 Kim et al.
D519,248 S 4/2006 Kim et al.
D519,691 S 4/2006 Kim et al.
D520,194 S 5/2006 Kwon et al.
D520,686 S 5/2006 Jeon et al.
D523,595 S 6/2006 Carey et al.
D524,001 S 6/2006 Carey et al.

(73) Assignee: **Whirlpool Corporation**, Benton Harbor, MI (US)

(Continued)

(**) Term: **14 Years**

(21) Appl. No.: **29/279,184**

(22) Filed: **Apr. 23, 2007**

(51) **LOC (8) Cl.** **15-05**
(52) **U.S. Cl.** **D32/6**
(58) **Field of Classification Search** D32/1,
D32/2, 3, 5, 6, 8, 25; 68/3 R, 5 R, 12.01,
68/4, 212, 12.08; 34/523, 524, 58, 108, 417,
34/130-132, 595-597, 499, 534, 600, 603;
312/31; 38/1 A

See application file for complete search history.

(56) **References Cited**

U.S. PATENT DOCUMENTS

D178,004 S 6/1956 Nadherny
D179,461 S 12/1956 Sandin
3,508,340 A 4/1970 Kombol
D297,059 S 8/1988 Matsumoto et al.
D340,785 S 10/1993 Bover
D444,602 S 7/2001 Saimen
D450,164 S 11/2001 Dyson et al.
D456,572 S 4/2002 Resuello et al.
D457,991 S 5/2002 Baldwin et al.
D459,844 S 7/2002 Baldwin et al.
D477,898 S 7/2003 Geyer
D495,453 S 8/2004 Baldwin et al.
D495,775 S 9/2004 Sagawa et al.
D502,577 S 3/2005 Baldwin et al.
D517,255 S 3/2006 Kim et al.
D517,257 S 3/2006 Kim et al.

OTHER PUBLICATIONS

http://us.stll.yimg.com/us.st.yimg.com/l/usappliance_1963_30532626 Aug. 10, 2007.*
http://us.stll.yimg.com/us.st.yimg.com/l/usappliance_1963_52227608 Aug. 13, 2007.*
http://us.stll.yimg.com/us.st.yimg.com/l/usappliance_11960_28338123 Aug. 13, 2007.*

Primary Examiner—Stella M. Reid
Assistant Examiner—Kathleen Sims
(74) *Attorney, Agent, or Firm*—Michael D. Lafrenz; Tara M. Hartman

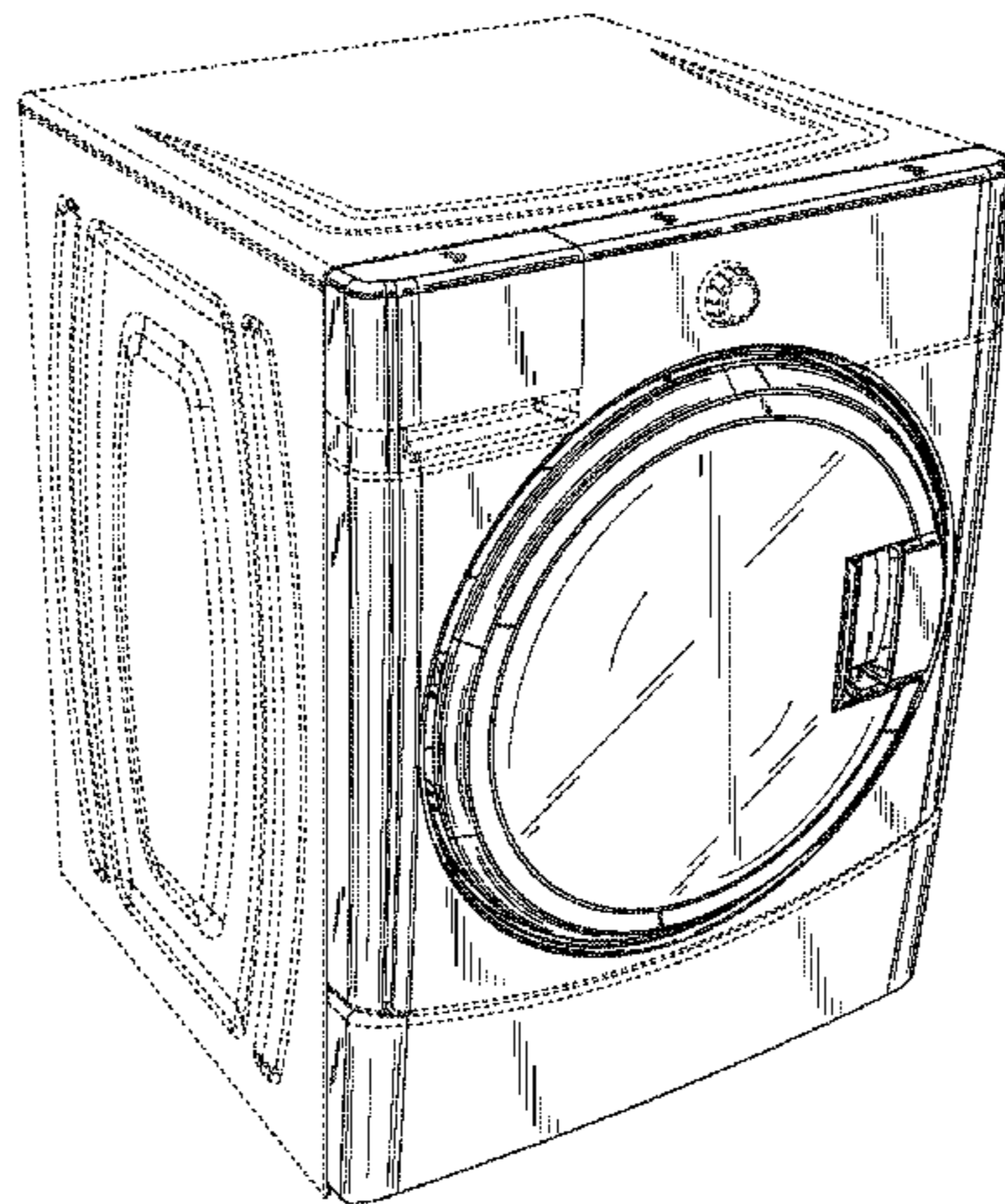
(57) **CLAIM**

The ornamental design for a laundry appliance, as shown and described.

DESCRIPTION

FIG. 1 is a right front perspective view of the design of the laundry appliance;
FIG. 2 is a front elevational view thereof;
FIG. 3 is a right side elevational view with the left side being a mirror image thereof; and,
FIG. 4 is a top plan view thereof.
The broken line showing of the appliance top and sides, front dial, lower front panel, upper left and right panels in FIGS. 1-4 is included for the purpose of illustrating portions of the laundry appliance and forms no part of the claimed design.

1 Claim, 4 Drawing Sheets



US D561,957 S

Page 2

U.S. PATENT DOCUMENTS

D527,151 S	8/2006	Jung et al.	D531,765 S	11/2006	Schoene	
D527,499 S	8/2006	Jung et al.	D535,446 S	1/2007	Kwon et al.	
D528,711 S	9/2006	Jung et al.	D536,145 S	1/2007	Lee et al.	
D528,712 S	9/2006	Ha et al.	D542,486 S *	5/2007	Crookshanks	D32/6
D528,713 S	9/2006	Ha et al.	D542,986 S *	5/2007	Crookshanks	D32/6
D529,242 S	9/2006	Ha et al.	D542,987 S *	5/2007	Crookshanks	D32/6

* cited by examiner

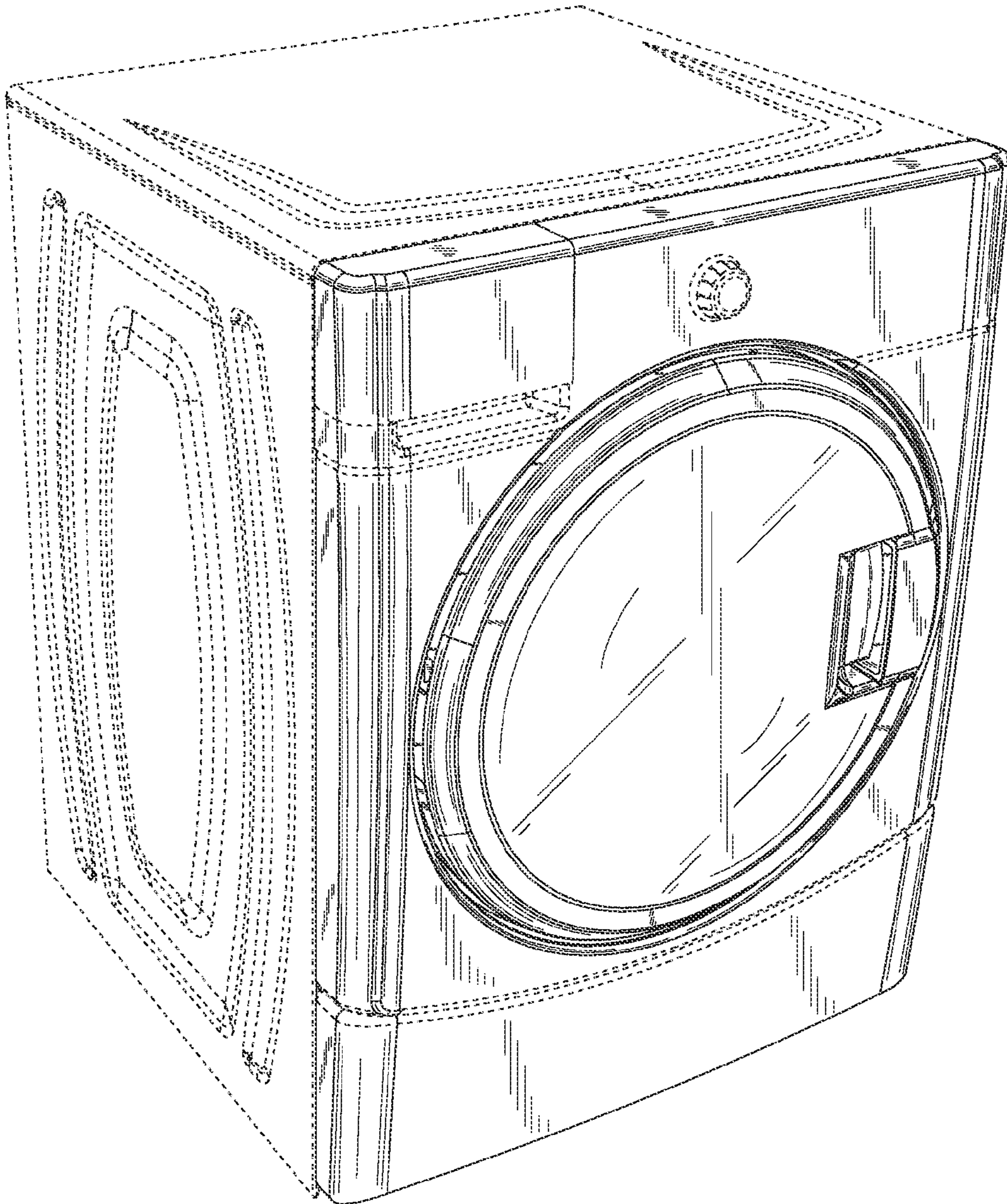


Fig. 1

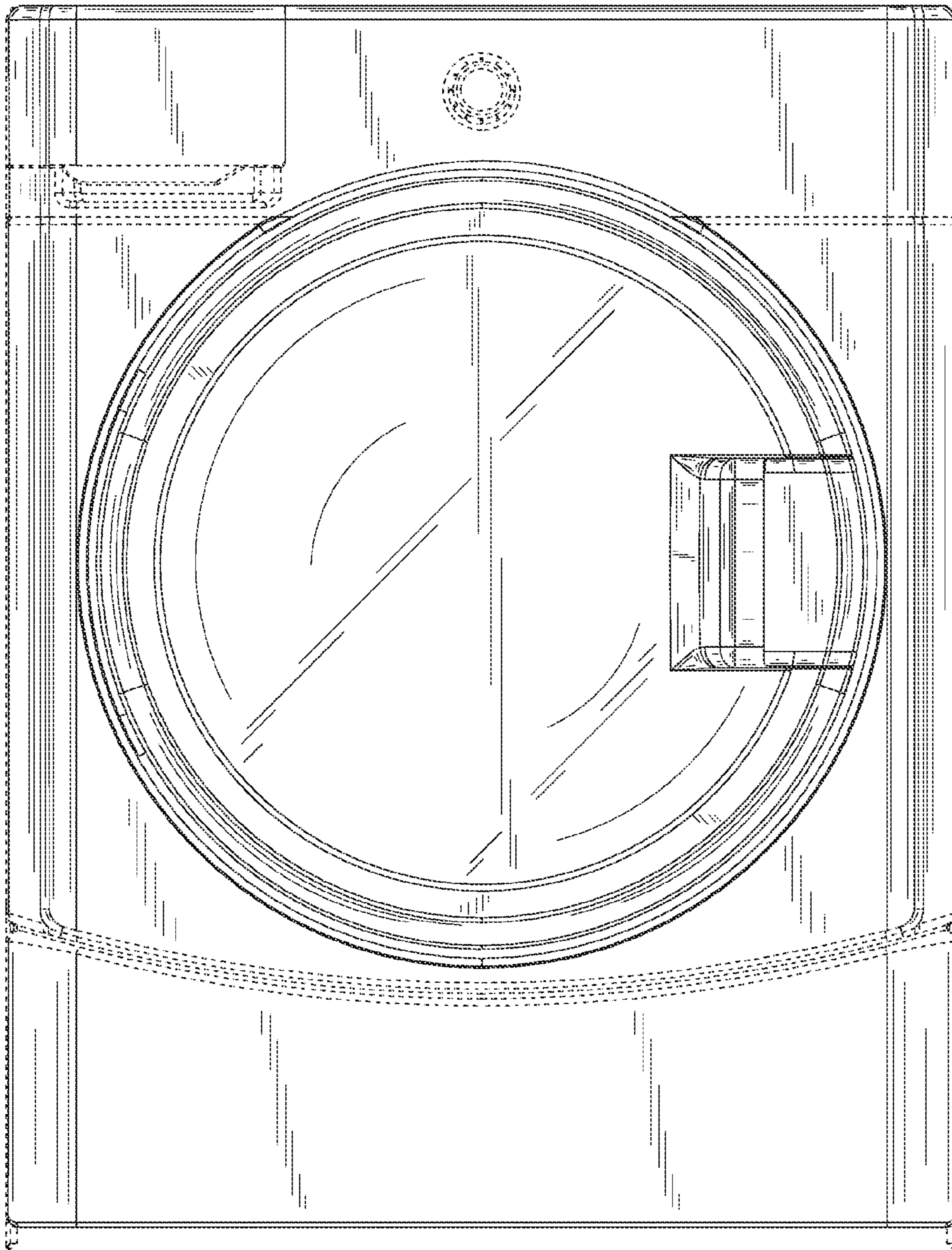


Fig. 2

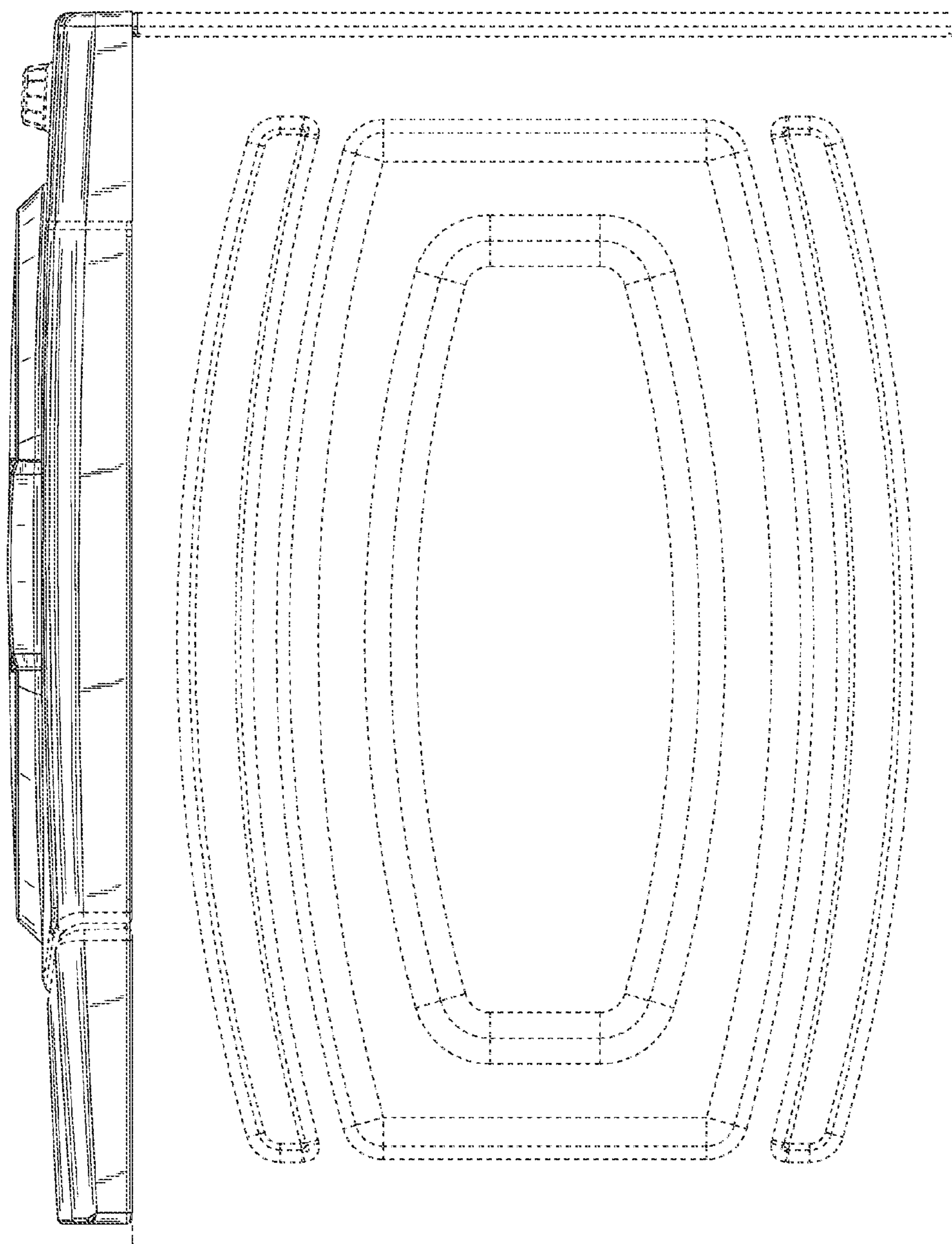


Fig. 3

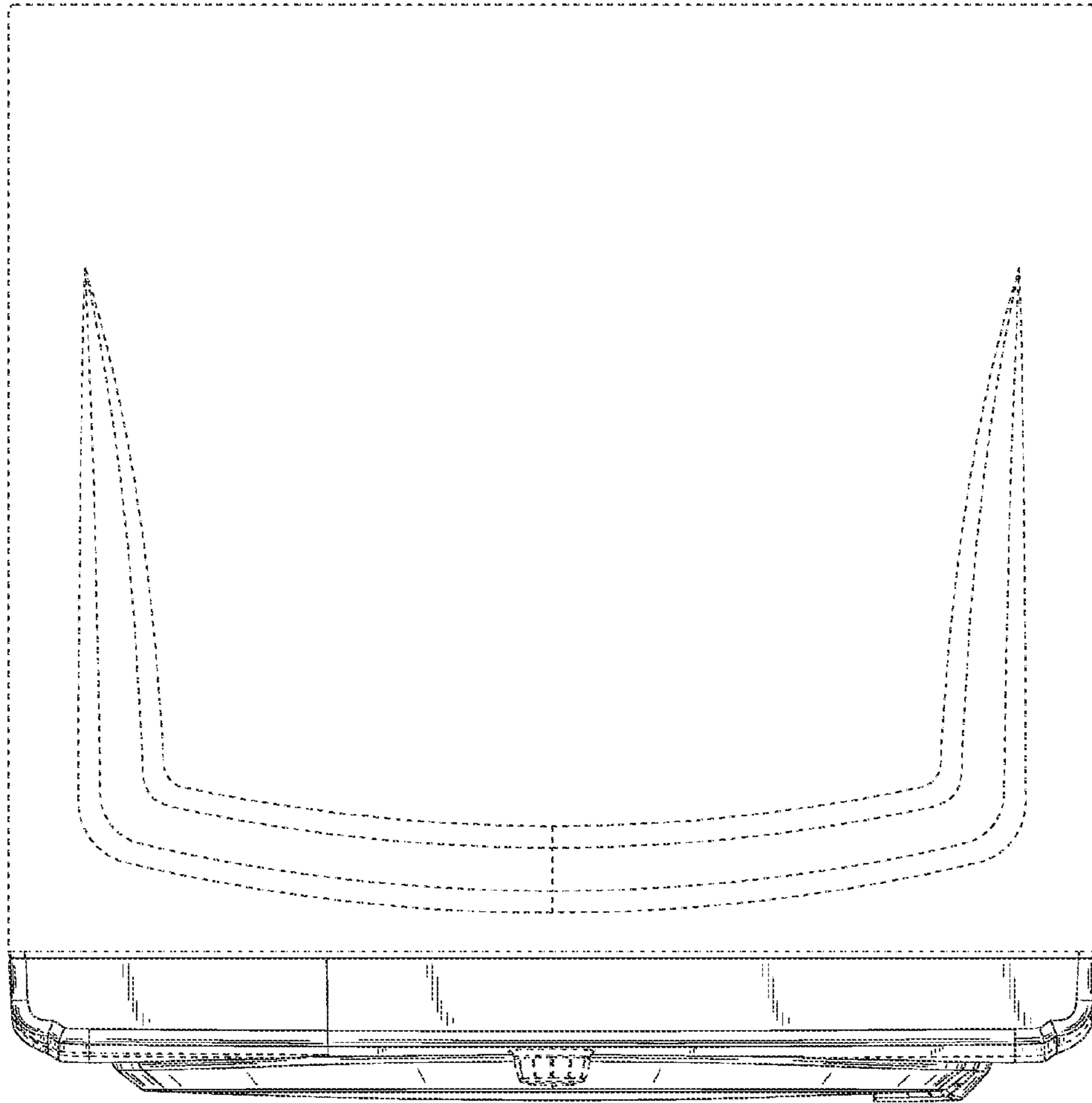


Fig. 4