



US00D561943S

(12) **United States Design Patent**
Desdoigts

(10) **Patent No.:** **US D561,943 S**

(45) **Date of Patent:** **** *Feb. 12, 2008**

(54) **COSMETIC CONTAINER**

(76) Inventor: **Olivier Desdoigts**, 8, rue Montauban,
75015 Paris (FR)

(*) Notice: This patent is subject to a terminal disclaimer.

(**) Term: **14 Years**

(21) Appl. No.: **29/255,536**

(22) Filed: **Mar. 9, 2006**

Related U.S. Application Data

(63) Continuation-in-part of application No. 29/226,542,
filed on Mar. 30, 2005, now Pat. No. Des. 522,695.

(51) **LOC (8) Cl.** **28-03**

(52) **U.S. Cl.** **D28/82**

(58) **Field of Classification Search** D28/76-82,
D28/85-89; 132/293-307; D9/503-504;
206/581, 823

See application file for complete search history.

(56) **References Cited**

U.S. PATENT DOCUMENTS

D504,542 S *	4/2005	Noh	D28/76
D522,695 S *	6/2006	Desdoigts	D28/82
D532,935 S *	11/2006	Kostow	D28/76
D532,937 S *	11/2006	Noh	D28/76

* cited by examiner

Primary Examiner—Jennifer Rivard

(74) *Attorney, Agent, or Firm*—Collen IP; Donald J. Ranft

(57) **CLAIM**

The ornamental design for a cosmetic container, as shown and described.

DESCRIPTION

FIG. 1 is a perspective view of my new design for a cosmetic container;

FIG. 2 is a front view thereof;

FIG. 3 is a top view thereof;

FIG. 4 is a bottom view thereof;

FIG. 5 is an exploded, perspective view thereof;

FIG. 6 is a cross-sectional view taken along line 6—6 in FIG. 3 thereof;

FIG. 7 is a perspective view of a second embodiment of a cosmetic container thereof;

FIG. 8 is a front view thereof;

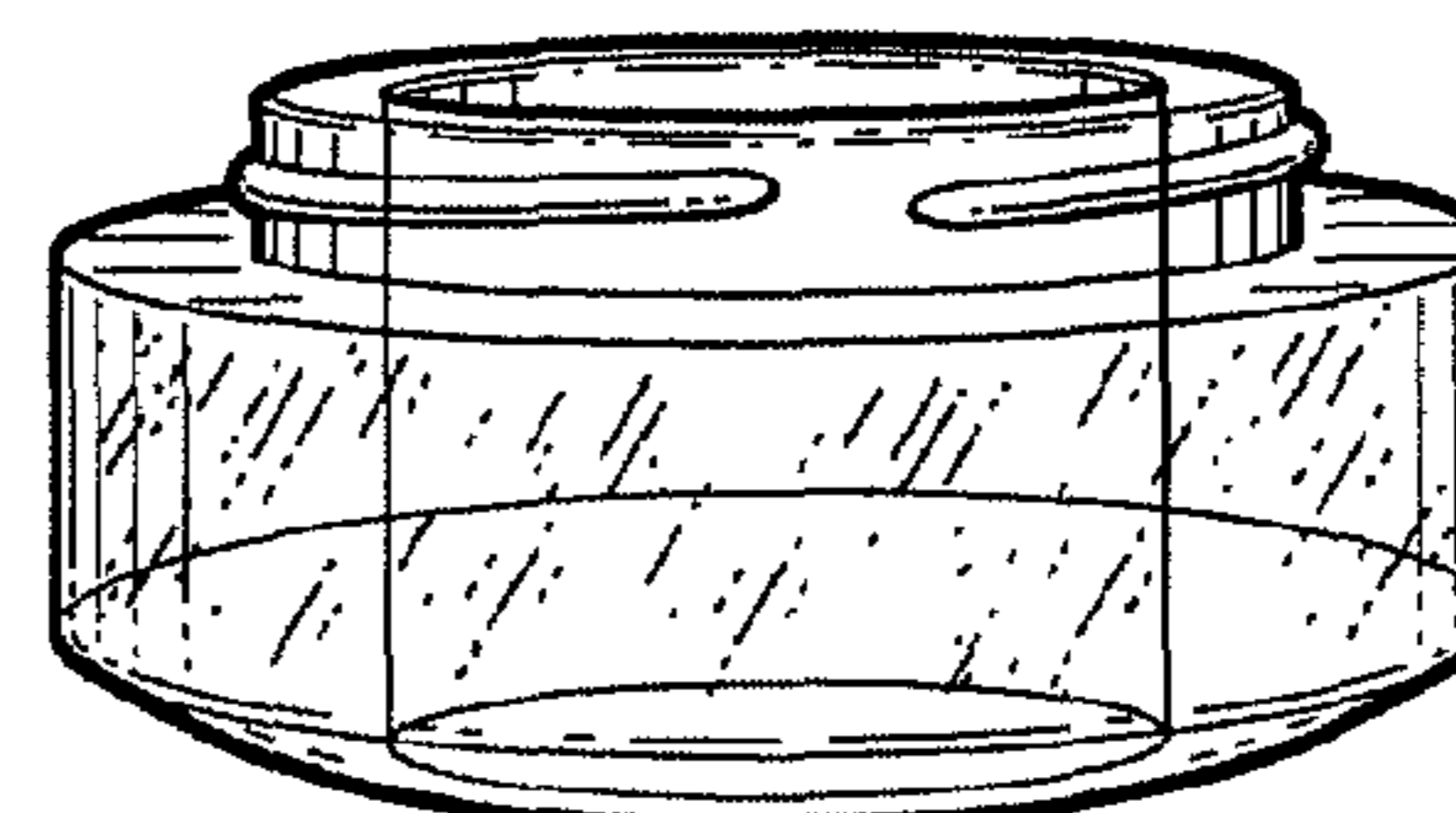
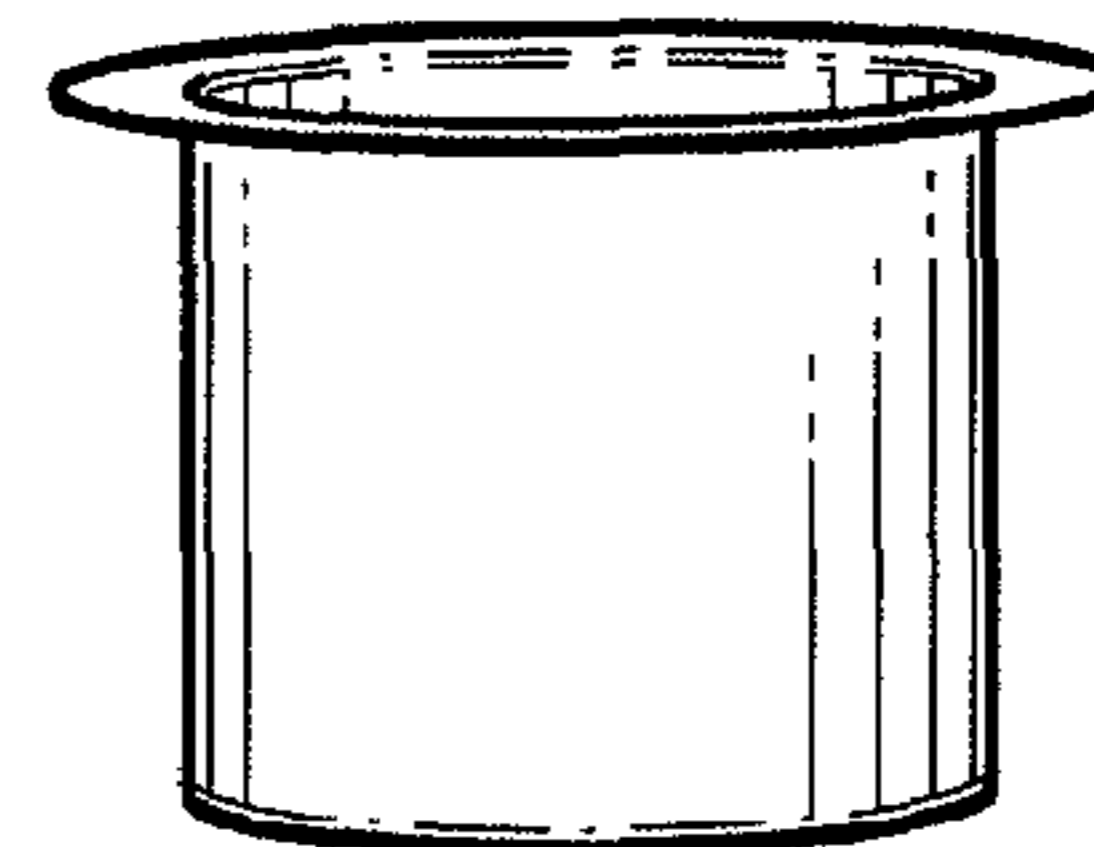
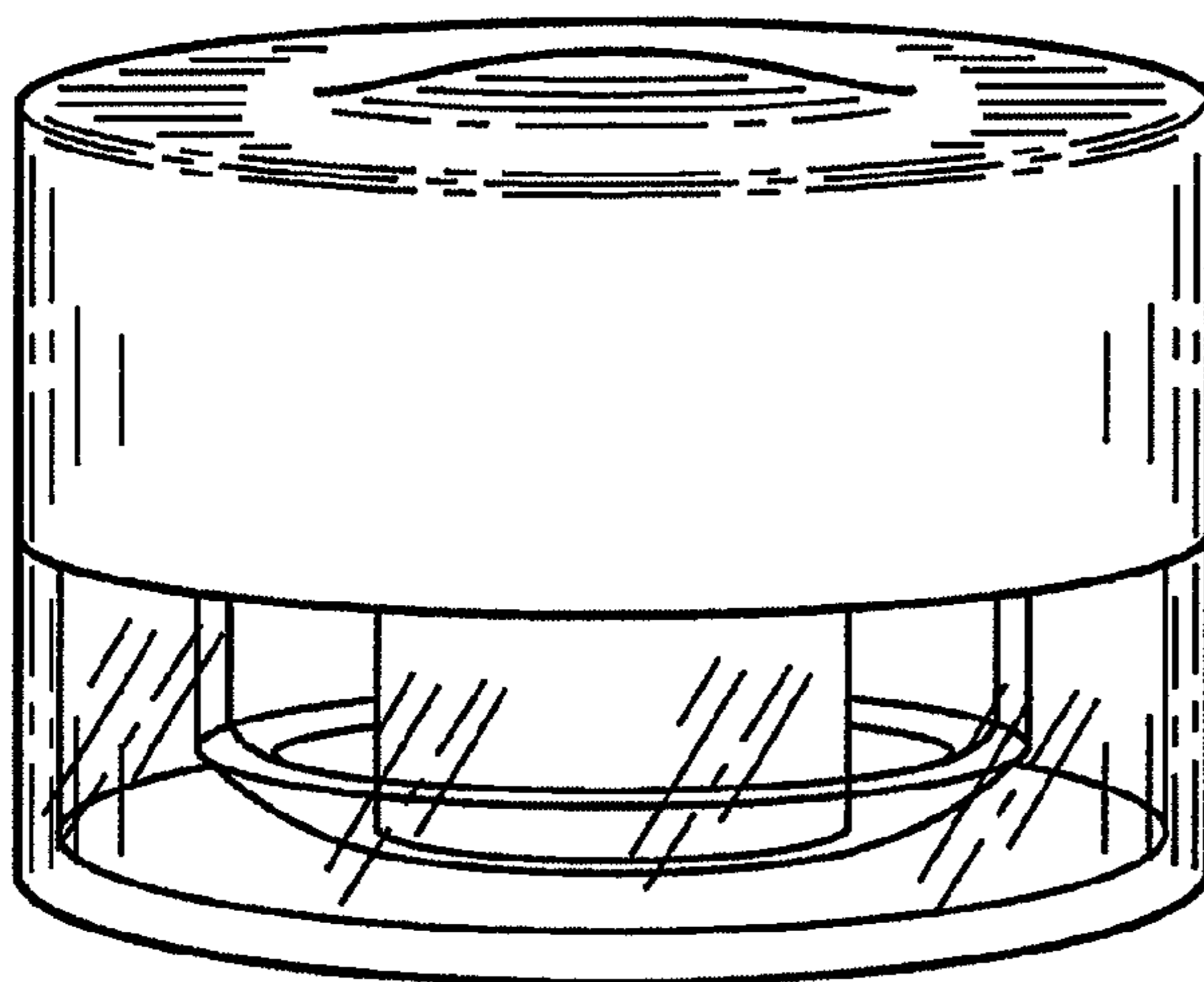
FIG. 9 a top view thereof;

FIG. 10 is a bottom view thereof;

FIG. 11 is an exploded, perspective view thereof; and,

FIG. 12 is a cross-sectional view taken along line 12—12 in FIG. 9 thereof.

1 Claim, 6 Drawing Sheets



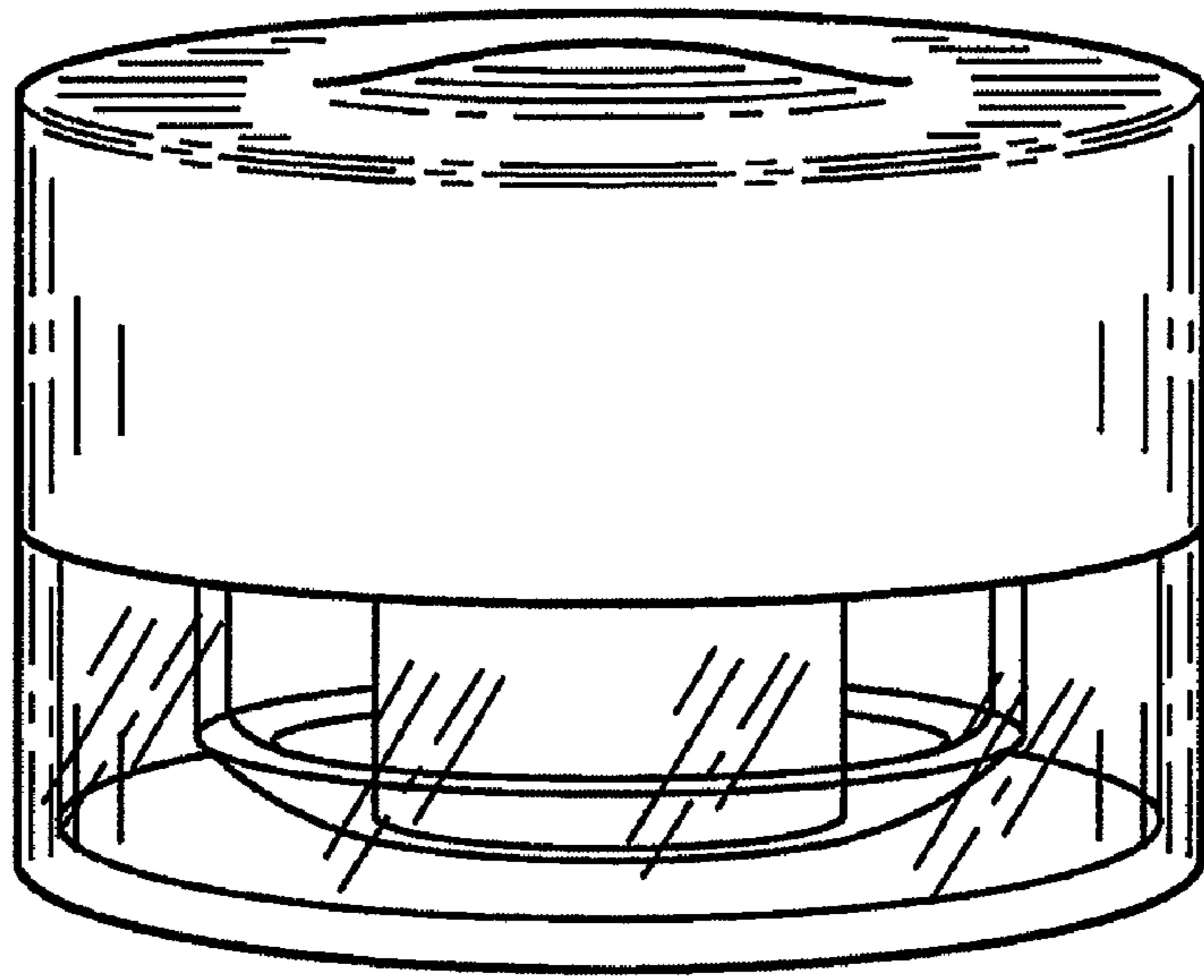


Figure 1

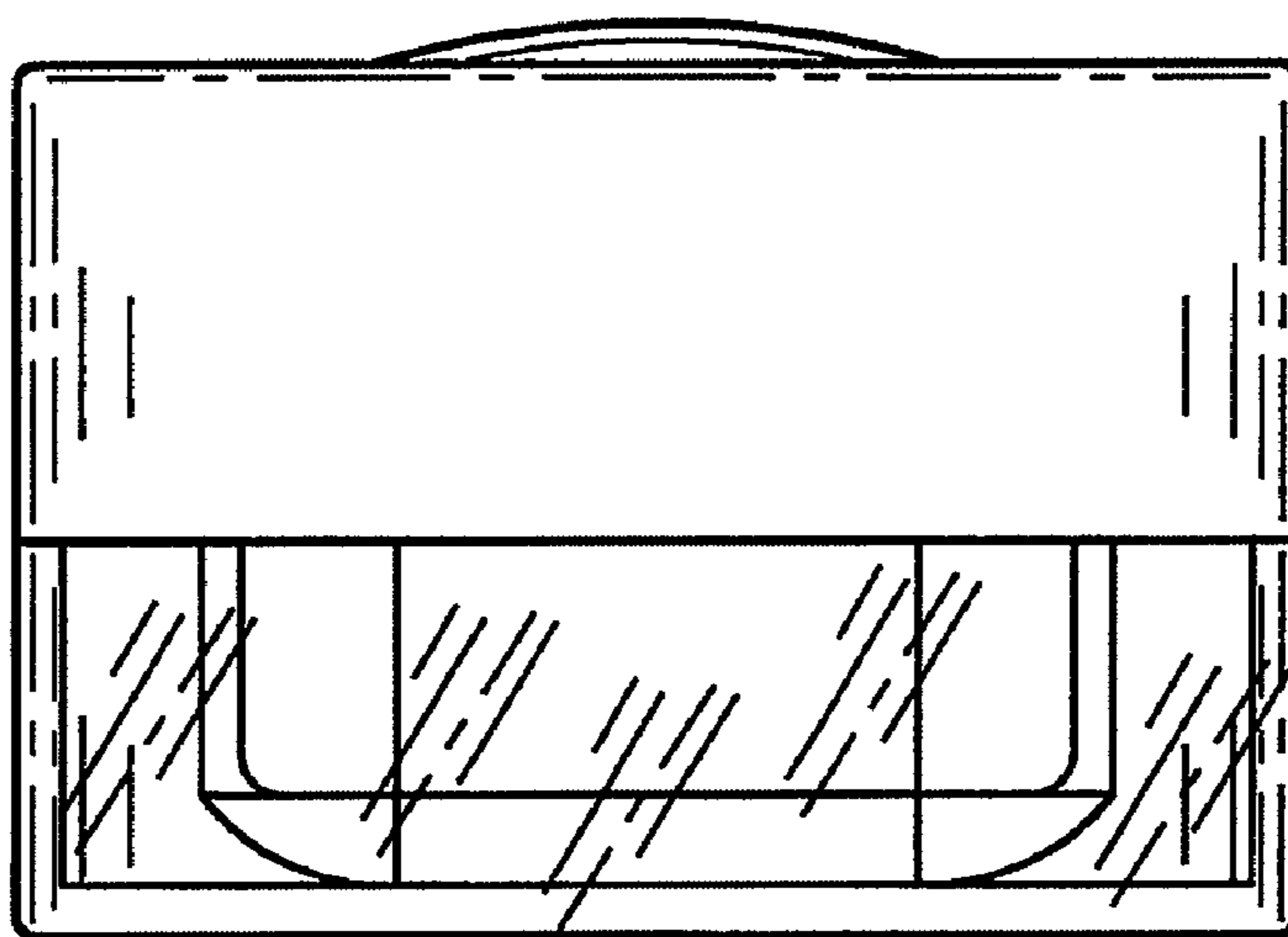


Figure 2

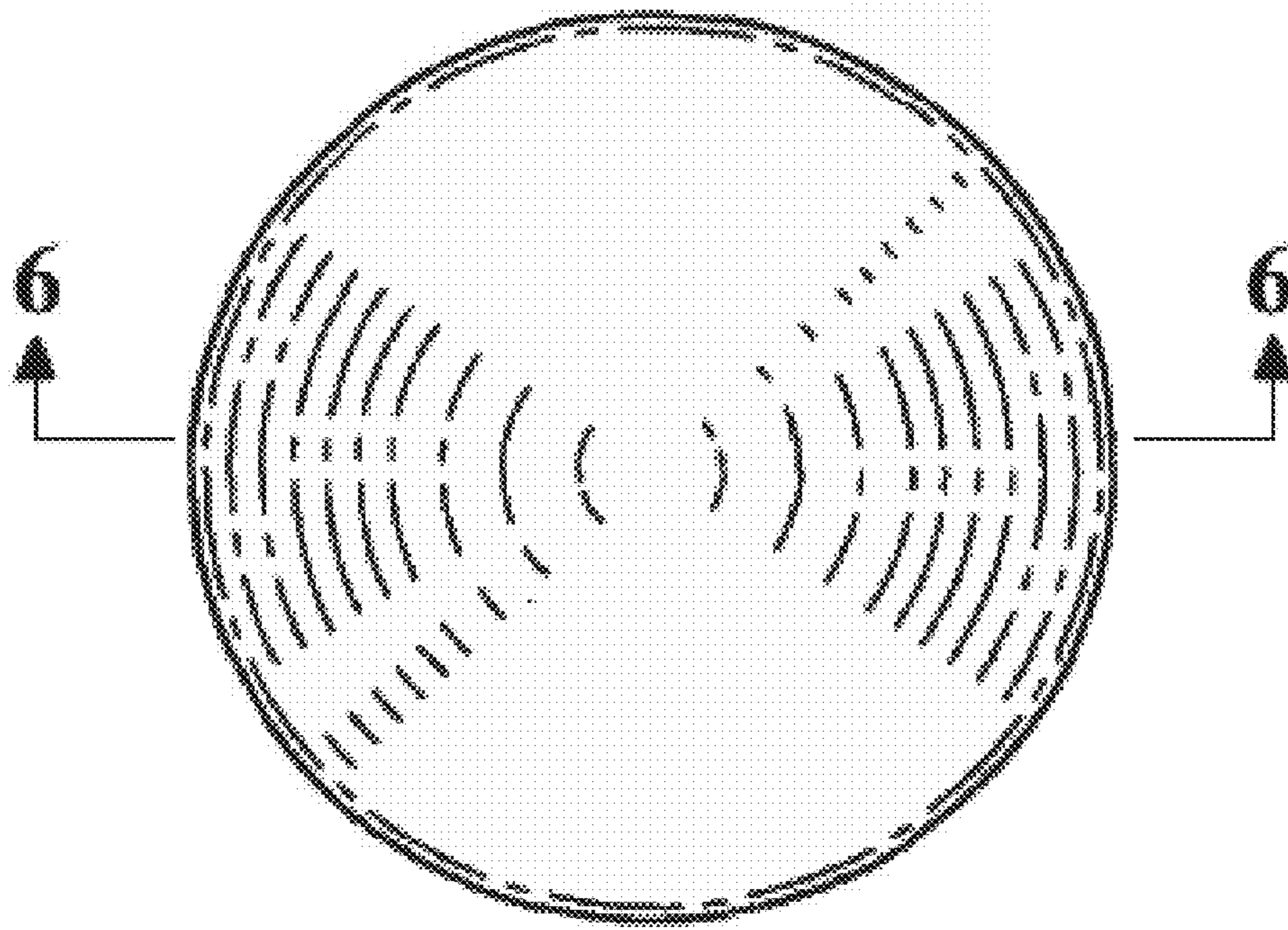


Figure 3

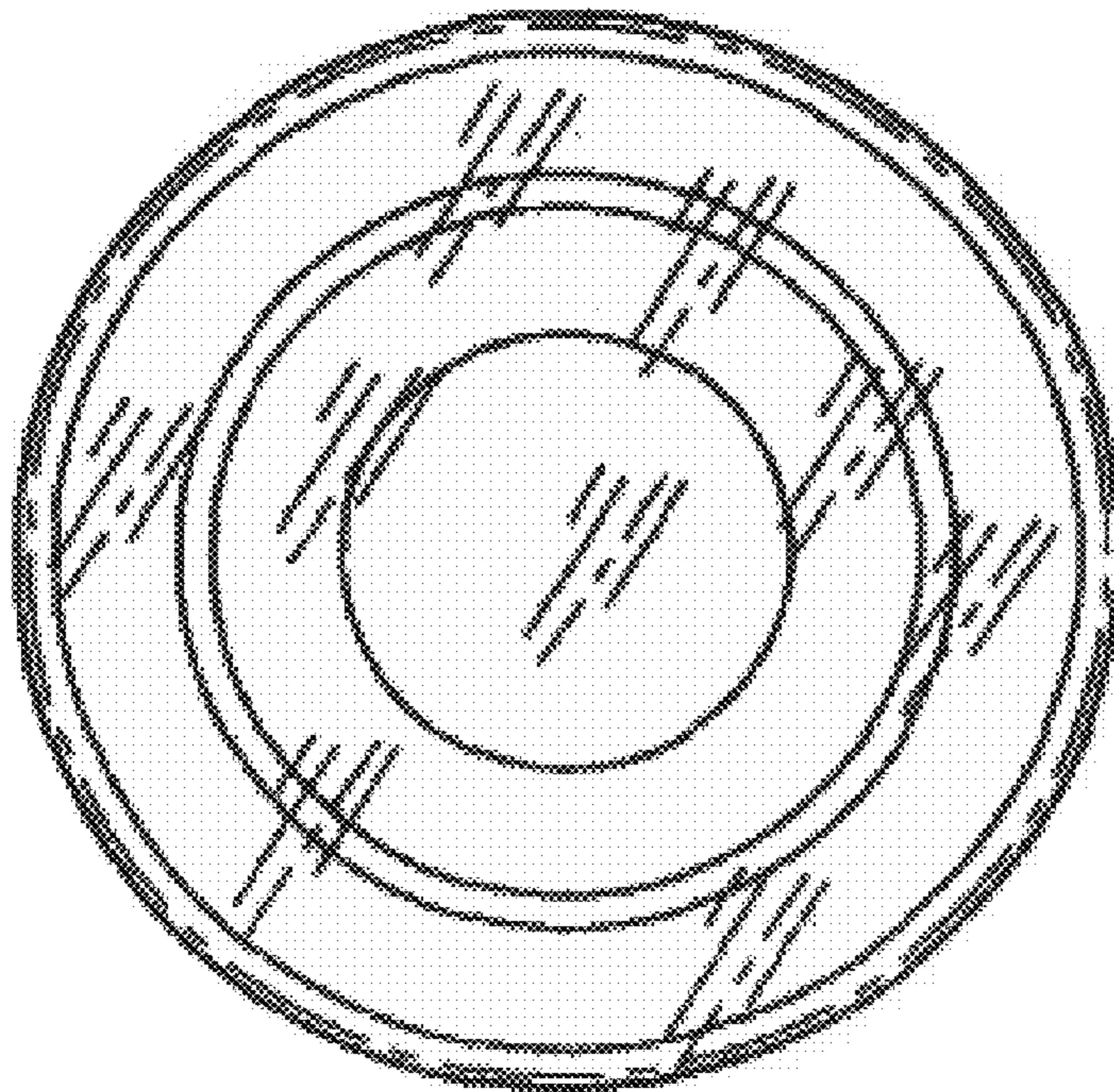


Figure 4

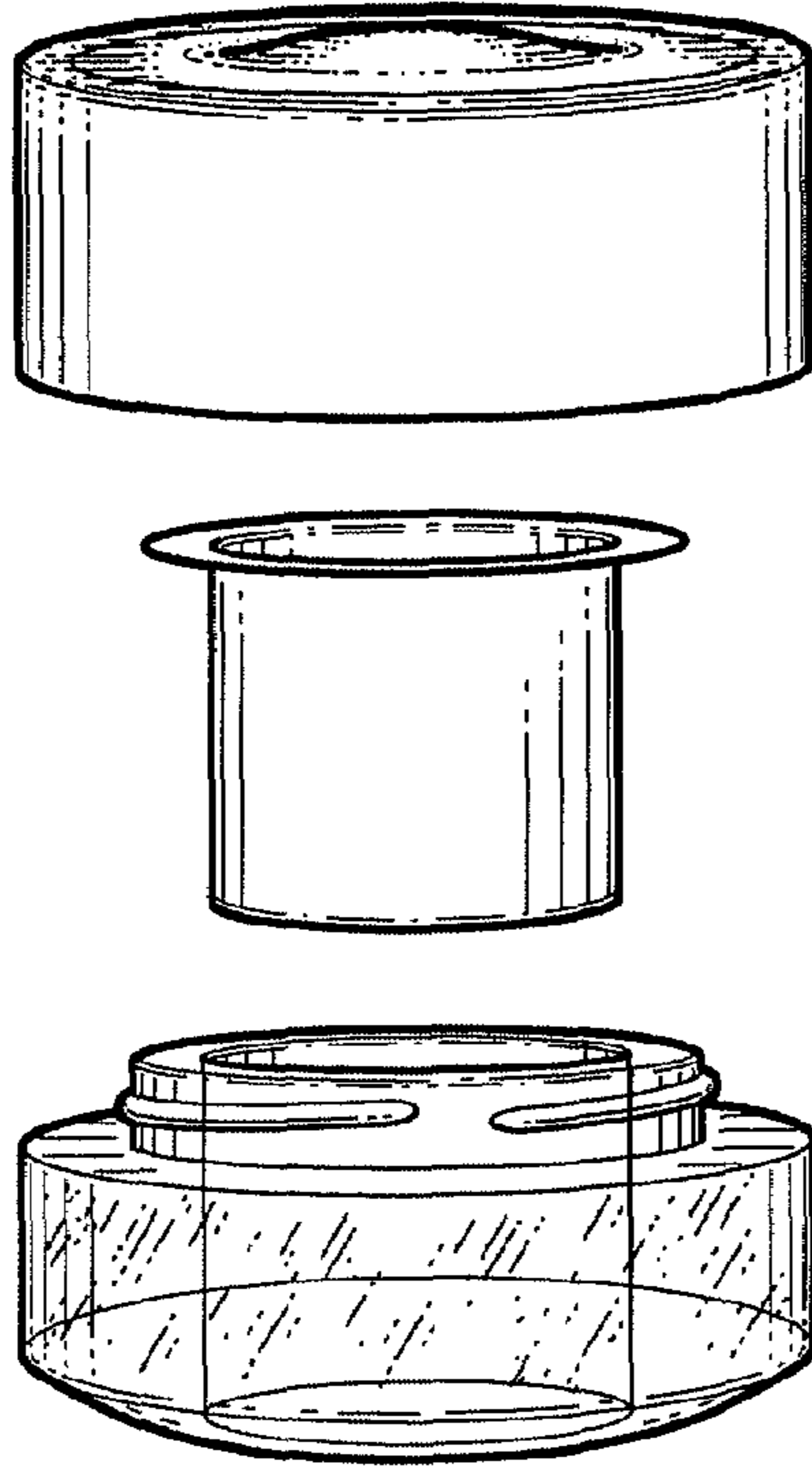


Figure 5

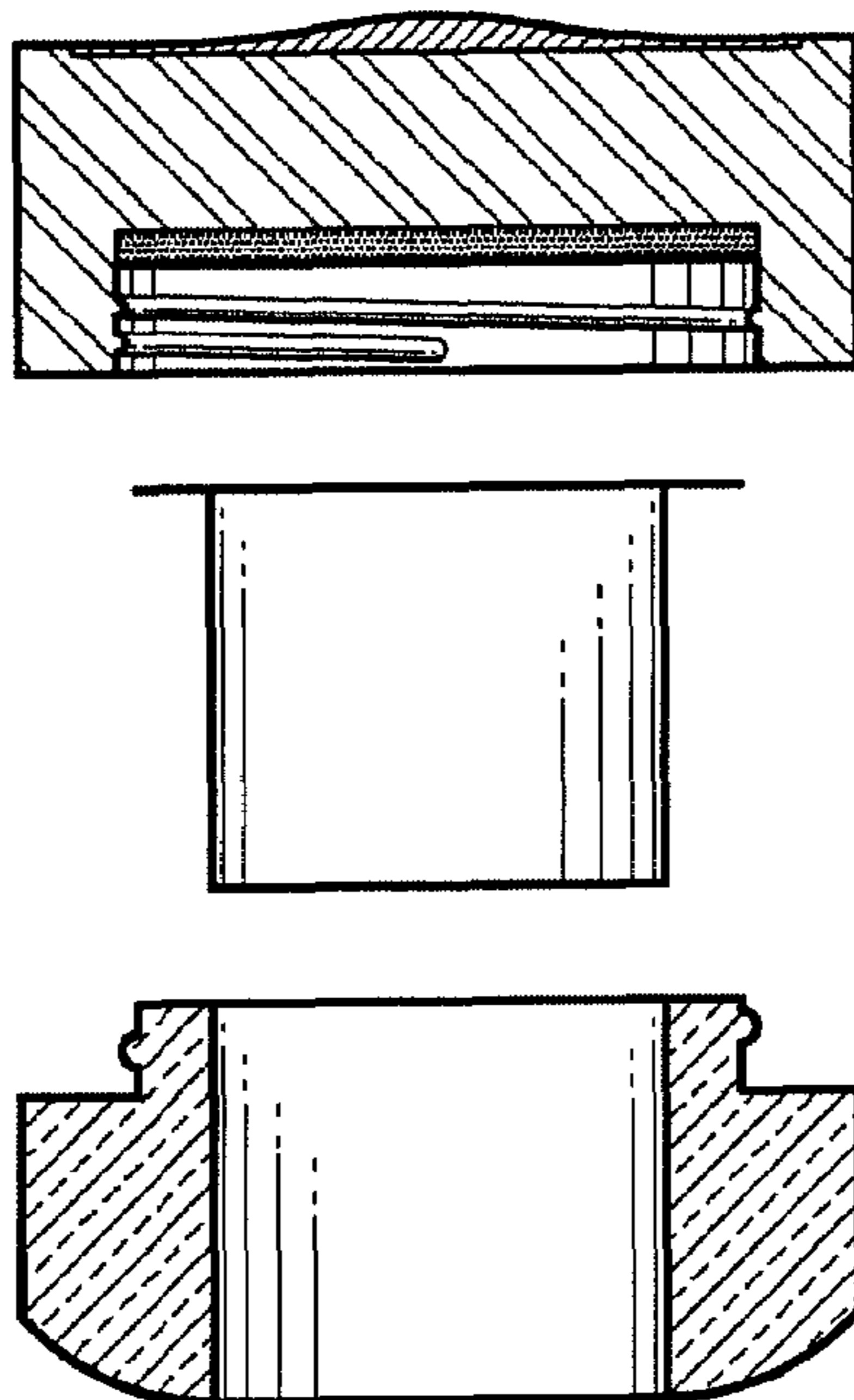


Figure 6

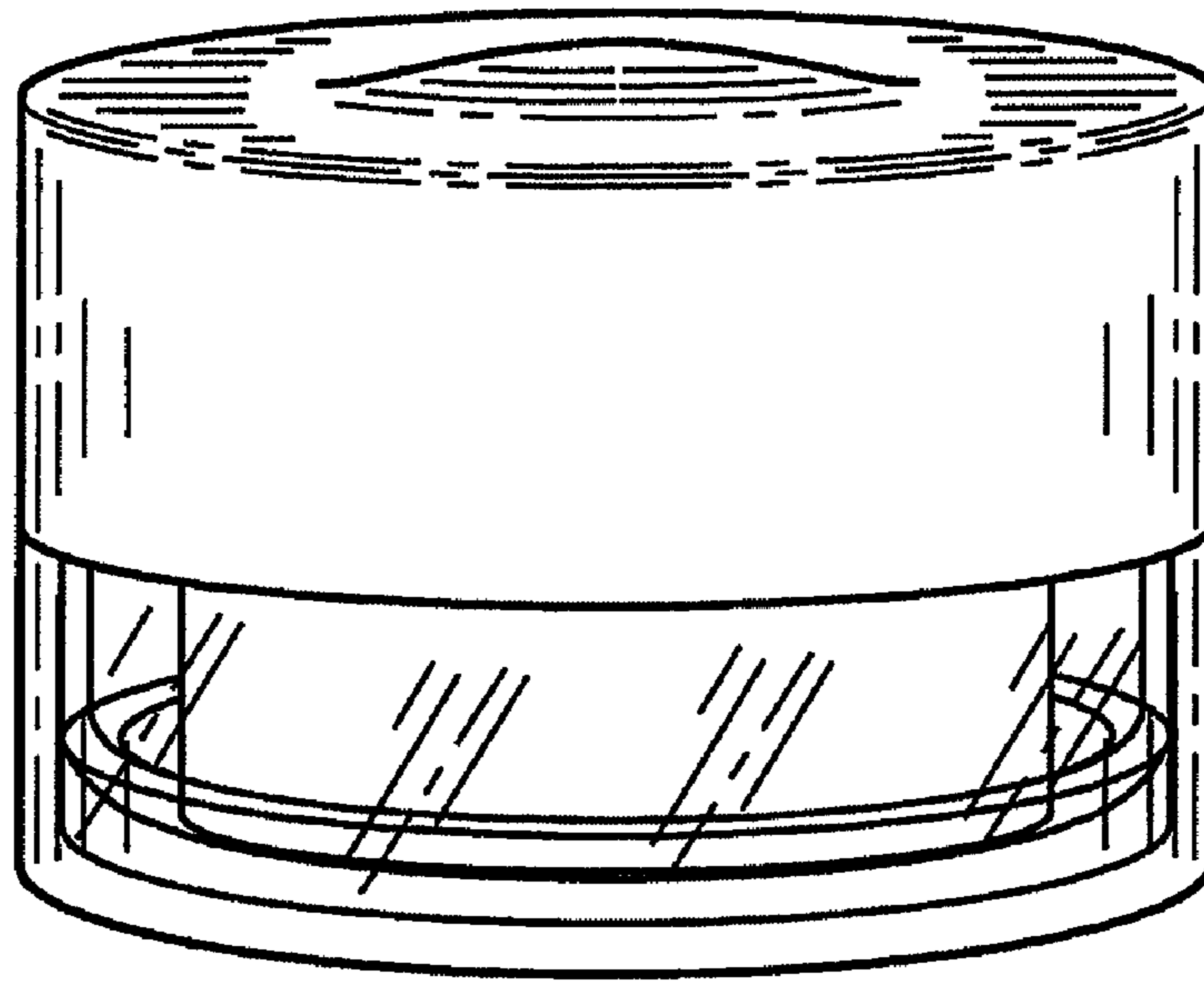


Figure 7

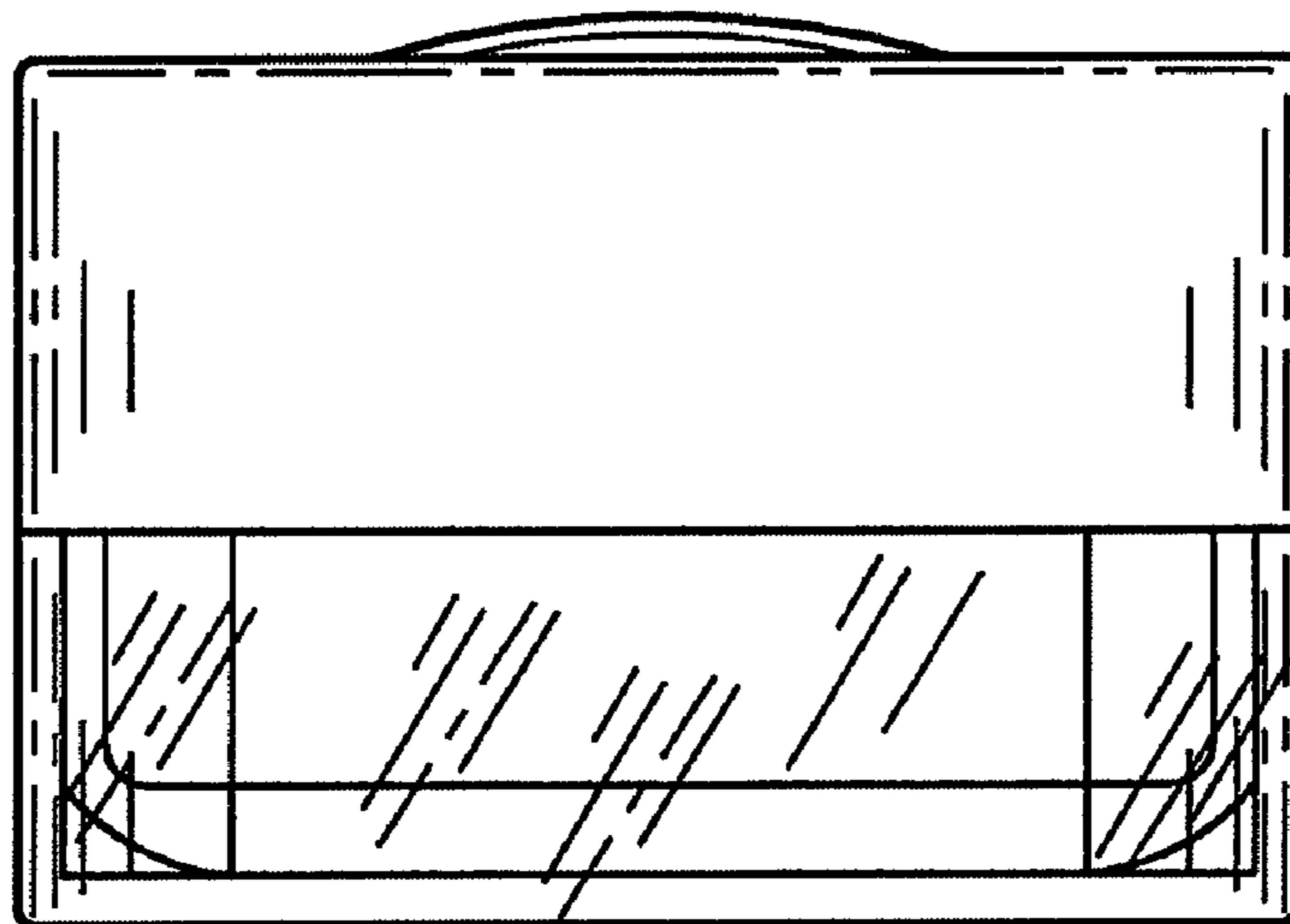


Figure 8

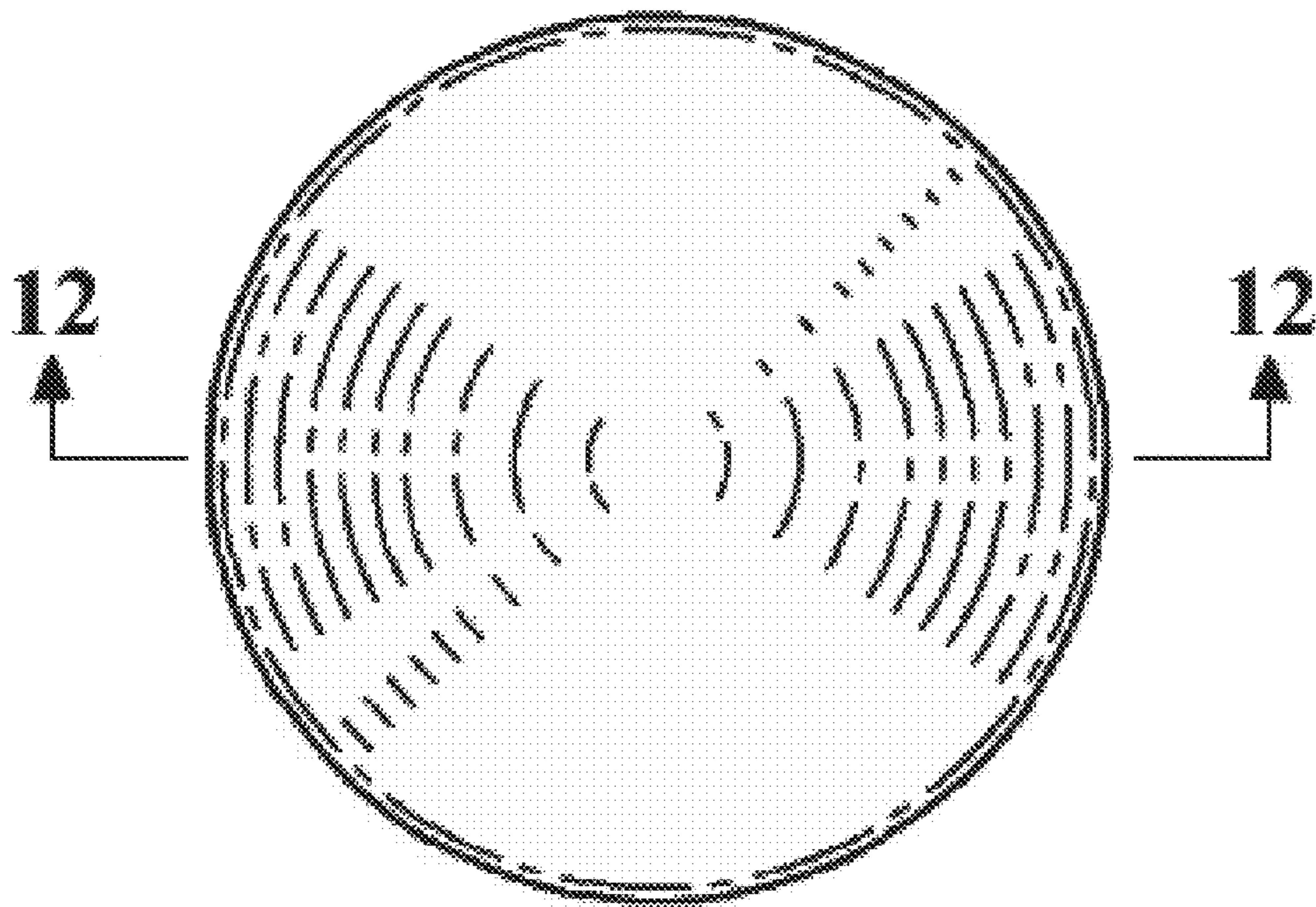


Figure 9

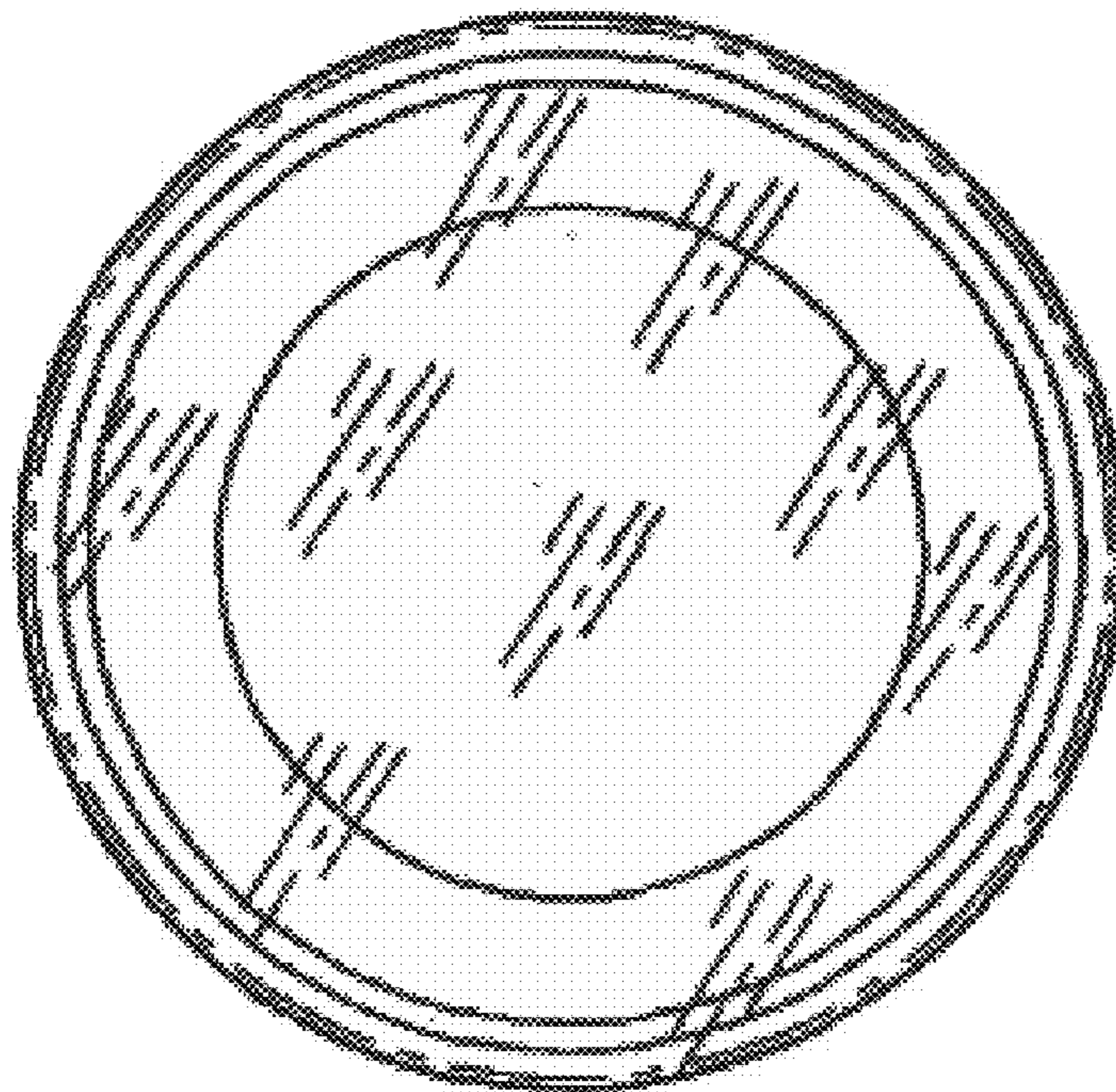


Figure 10

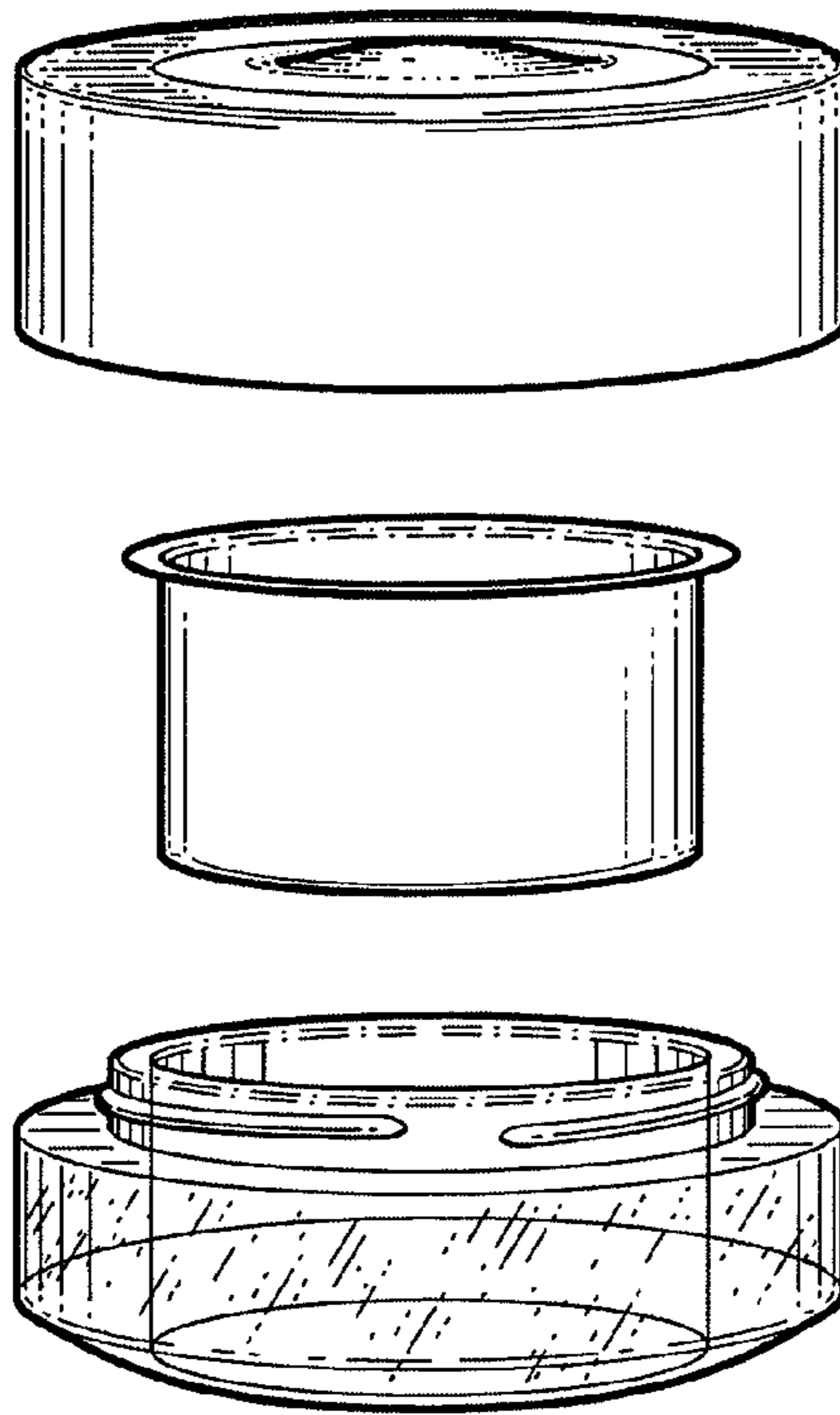


Figure 11

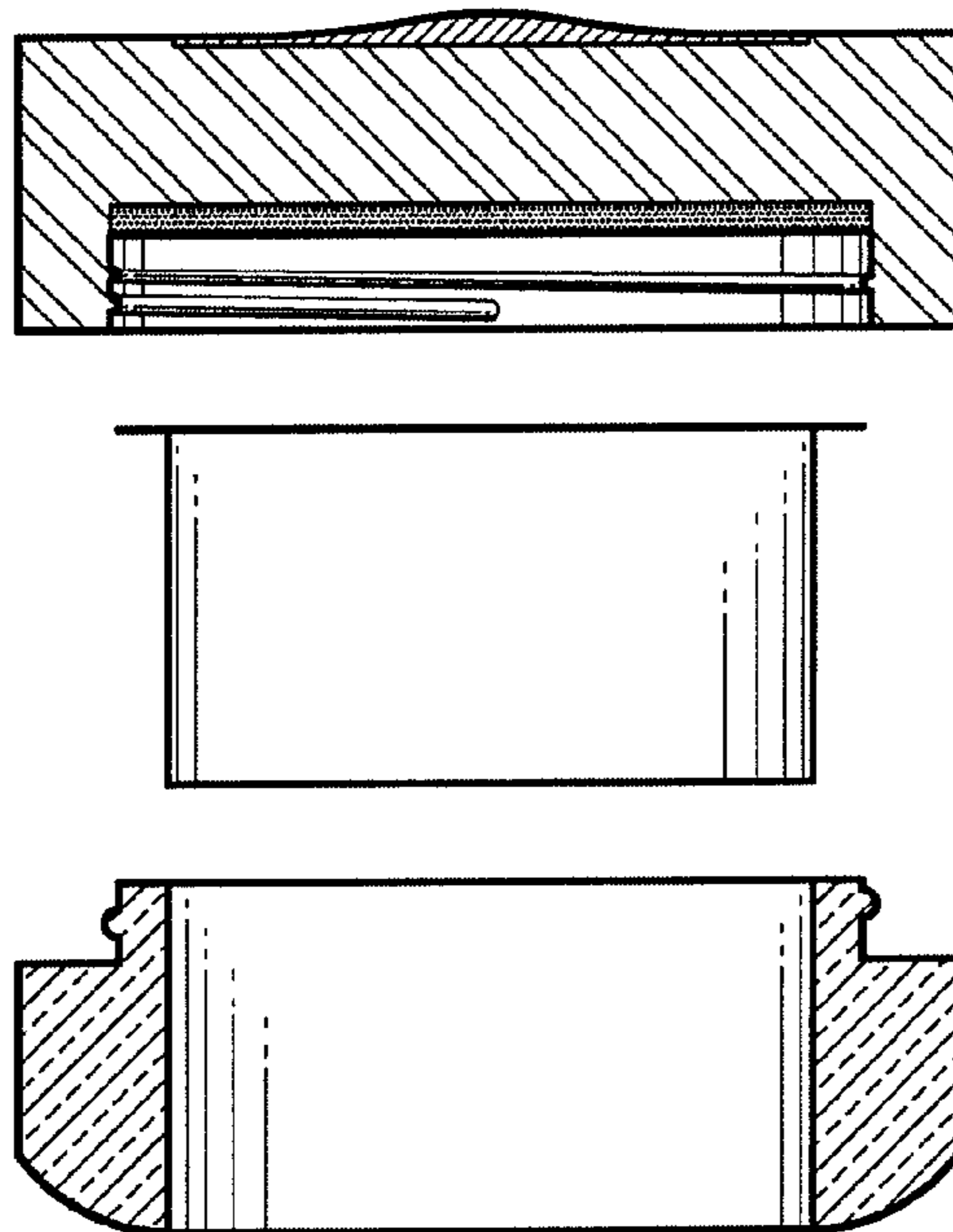


Figure 12