



US00D561942S

(12) **United States Design Patent**  
**Khubani**

(10) **Patent No.:** **US D561,942 S**

(45) **Date of Patent:** **\*\* Feb. 12, 2008**

(54) **TWEEZERS**

(75) Inventor: **Anand Khubani**, Towaco, NJ (US)

(73) Assignee: **Ideavillage Products Corp.**, Fairfield, NJ (US)

(\*\*) Term: **14 Years**

(21) Appl. No.: **29/286,870**

(22) Filed: **May 21, 2007**

(51) **LOC (8) Cl.** ..... **28-03**

(52) **U.S. Cl.** ..... **D28/55**

(58) **Field of Classification Search** ..... D28/55;  
D24/143; 606/210, 211; 294/99.2  
See application file for complete search history.

(56) **References Cited**

U.S. PATENT DOCUMENTS

2,376,448	A	5/1945	Neugass	
2,387,054	A *	10/1945	Brustolon	..... D28/55
D171,264	S	1/1954	Peterson et al.	
2,666,843	A	1/1954	Zuckerman	
D175,259	S	8/1955	Johnson et al.	
3,287,547	A	11/1966	Spedding	
D230,100	S *	1/1974	Hornbeck	..... D28/55

D325,265	S *	4/1992	Rommerdale	..... D28/55
D343,027	S *	1/1994	Coleman	..... D28/55
6,179,847	B1	1/2001	Possum	
D497,215	S	10/2004	Shaljian	

\* cited by examiner

*Primary Examiner*—Jennifer Rivard

(74) *Attorney, Agent, or Firm*—Robert L. Epstein; Epstein Drangel Bazerman & James

(57) **CLAIM**

The ornamental design for tweezers, substantially as shown and described.

**DESCRIPTION**

FIG. 1 is an isometric view showing the top, one side and part of the front of the tweezers; the other side being the mirror image thereof;

FIG. 2 is an elevation view of the other side of the tweezers;

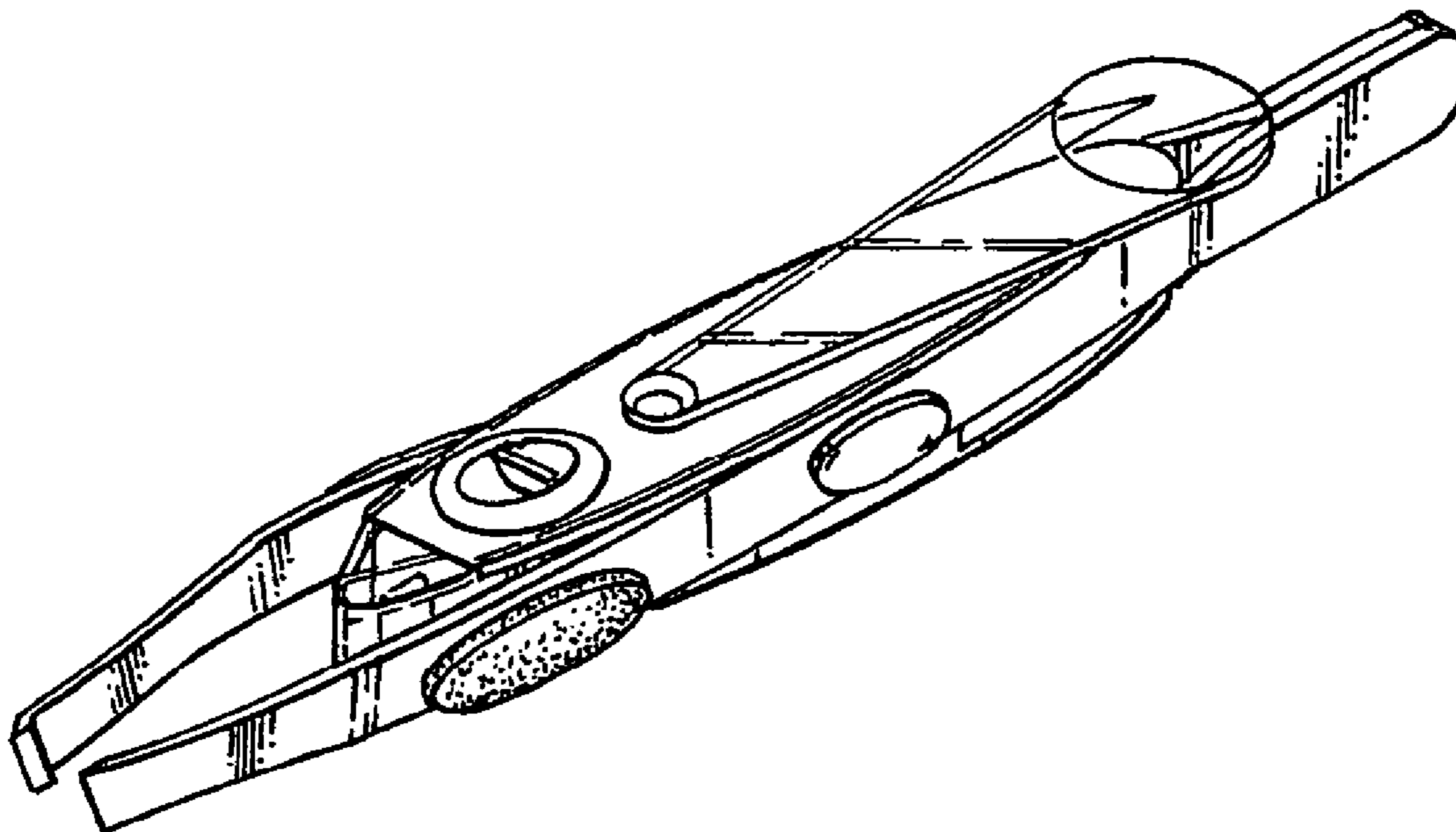
FIG. 3 is a plan view of the top of the tweezers;

FIG. 4 is a plan view of the bottom of the tweezers;

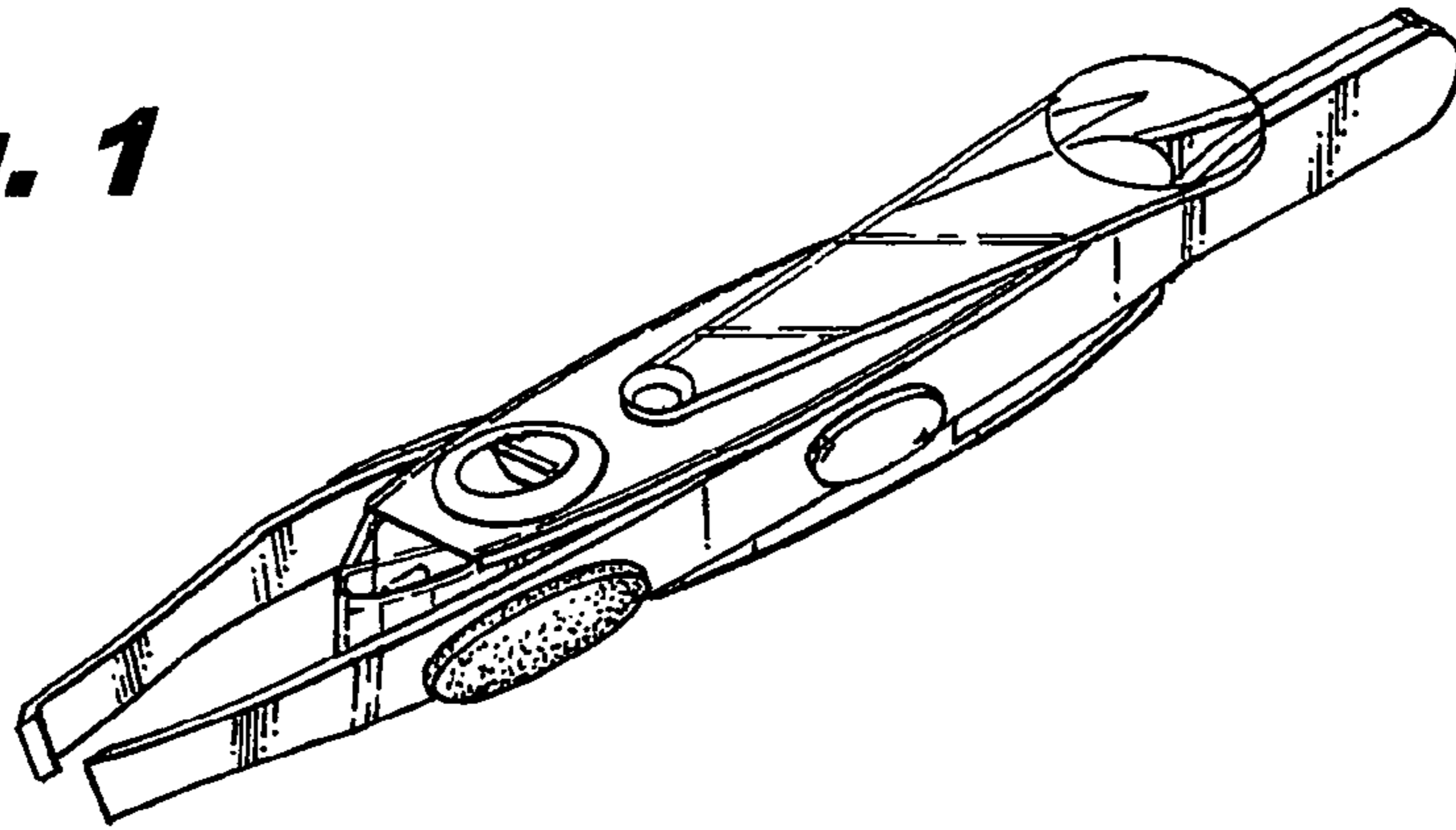
FIG. 5 is an elevation view of the front of the tweezers; and,

FIG. 6 is an elevation view of the rear of the tweezers.

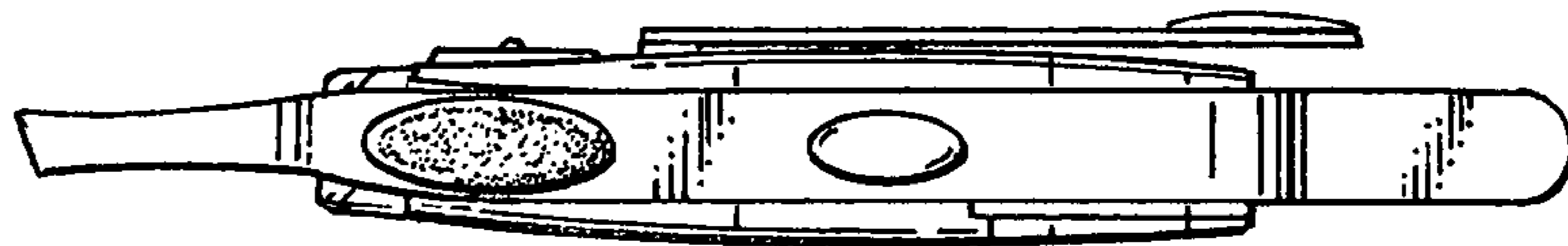
**1 Claim, 1 Drawing Sheet**



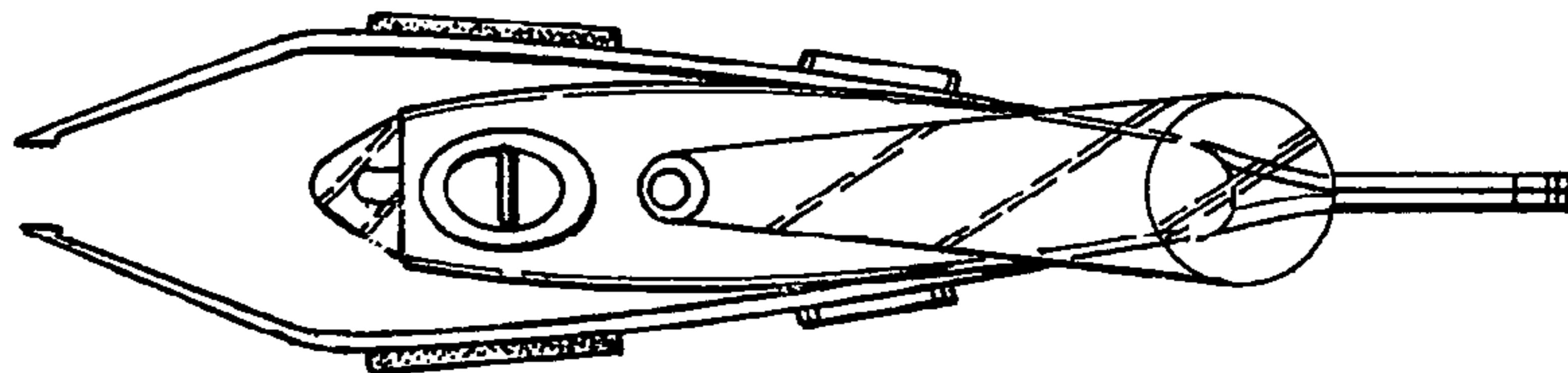
**Fig. 1**



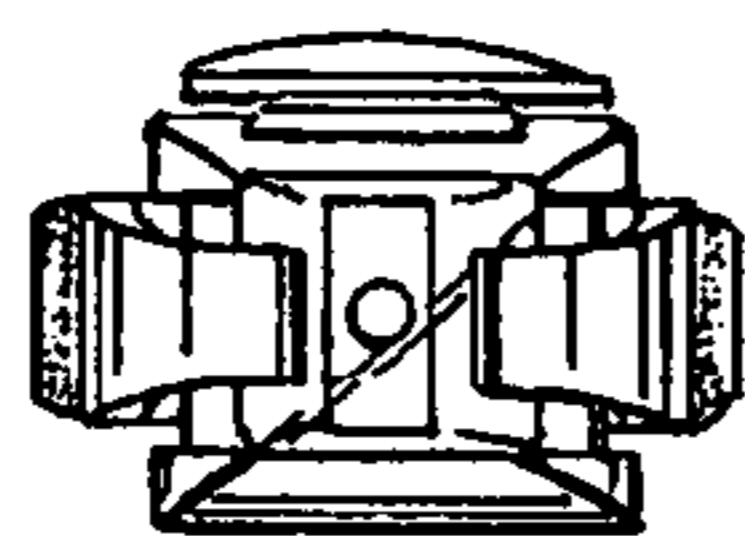
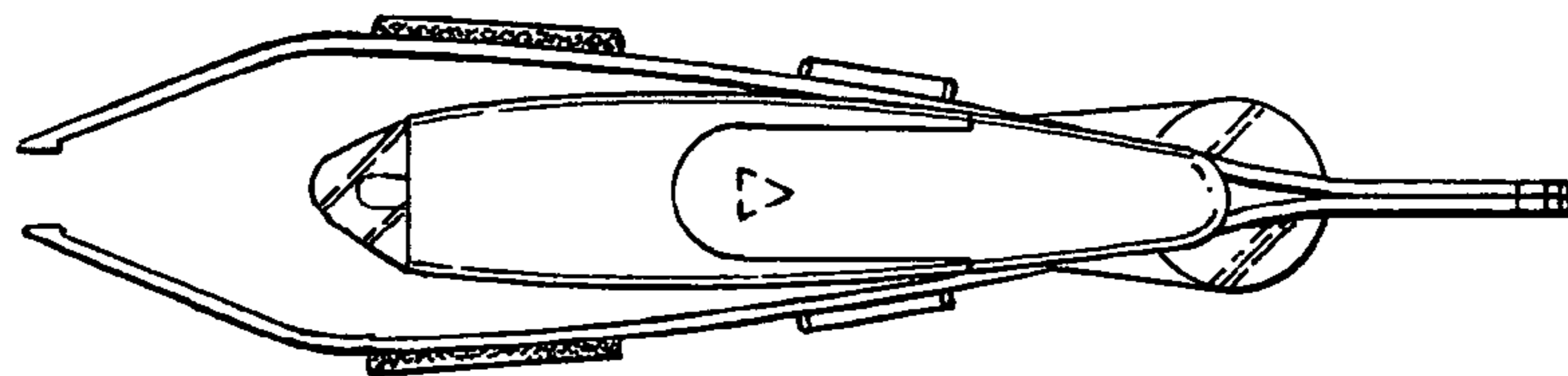
**Fig. 2**



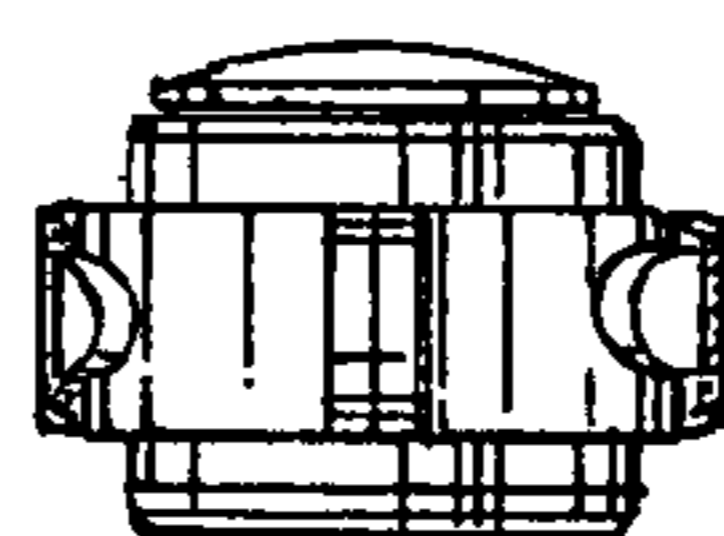
**Fig. 3**



**Fig. 4**



**Fig. 5**



**Fig. 6**