



US00D561937S

(12) **United States Design Patent**
Leung

(10) **Patent No.:** **US D561,937 S**

(45) **Date of Patent:** **** Feb. 12, 2008**

(54) **CURLING IRON**

(75) Inventor: **Anthony Kit Lun Leung**, North Point
(CN)

(73) Assignee: **Conair Corporation**, Stamford, CT
(US)

(**) Term: **14 Years**

(21) Appl. No.: **29/288,444**

(22) Filed: **Jun. 12, 2007**

(51) **LOC (8) Cl.** **28-03**

(52) **U.S. Cl.** **D28/35**

(58) **Field of Classification Search** 132/222–225,
132/227–229, 236, 245; 219/222, 225, 226;
D28/35

See application file for complete search history.

(56) **References Cited**

U.S. PATENT DOCUMENTS

D469,576 S * 1/2003 Spagnolo D28/35
2007/0095810 A1* 5/2007 Gniadek 219/225

* cited by examiner

Primary Examiner—Jennifer Rivard

(74) *Attorney, Agent, or Firm*—Lawrence Cruz

(57) **CLAIM**

I claim the ornamental design for a curling iron, as shown and described.

DESCRIPTION

FIG. 1 is a perspective view of a curling iron showing a new design;

FIG. 2 is a top view thereof;

FIG. 3 is a right side view thereof;

FIG. 4 is a left side view thereof;

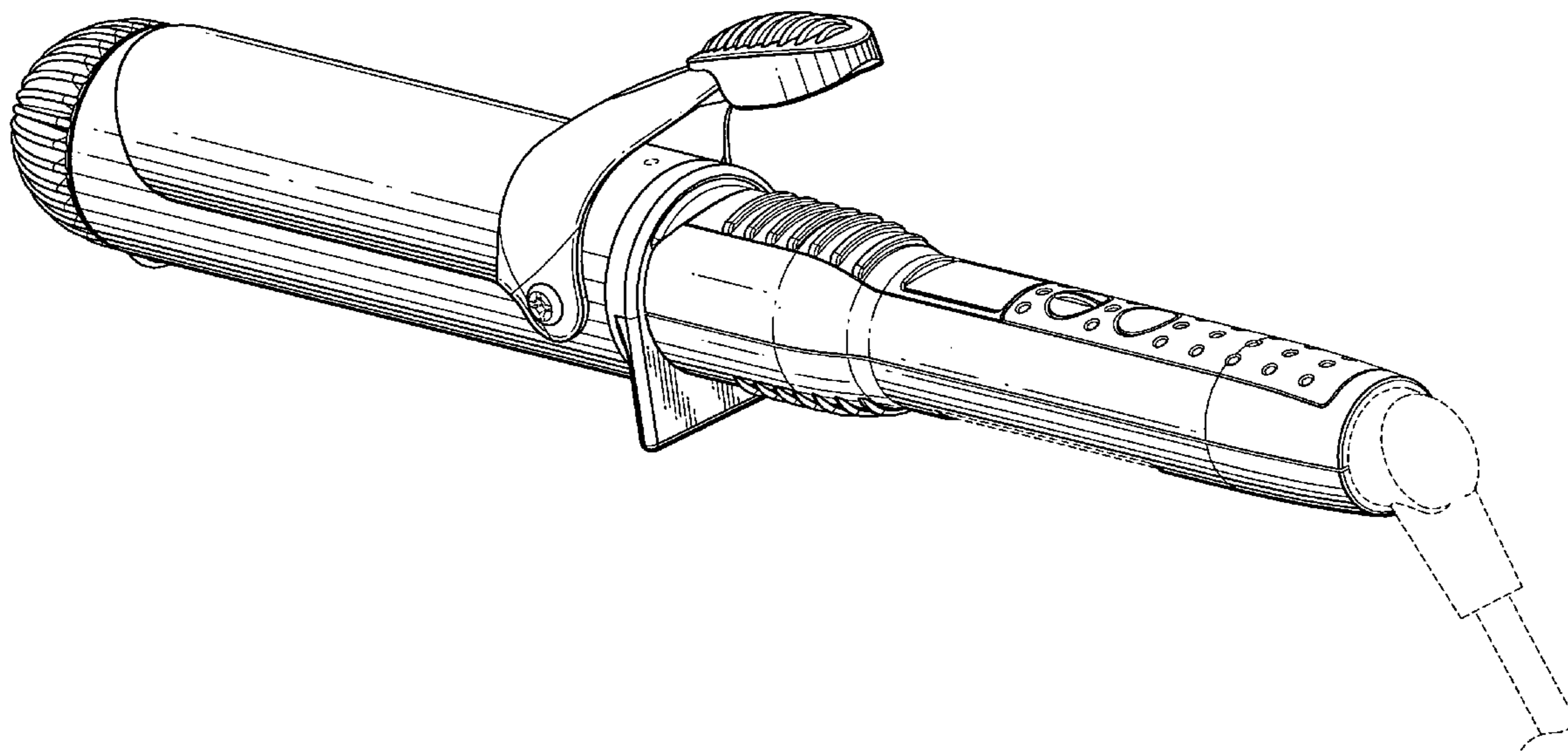
FIG. 5 is a front view thereof;

FIG. 6 is a rear view thereof; and,

FIG. 7 is a bottom view thereof.

The broken lines are shown for illustrative purposes only and form no part of the claimed design.

1 Claim, 6 Drawing Sheets



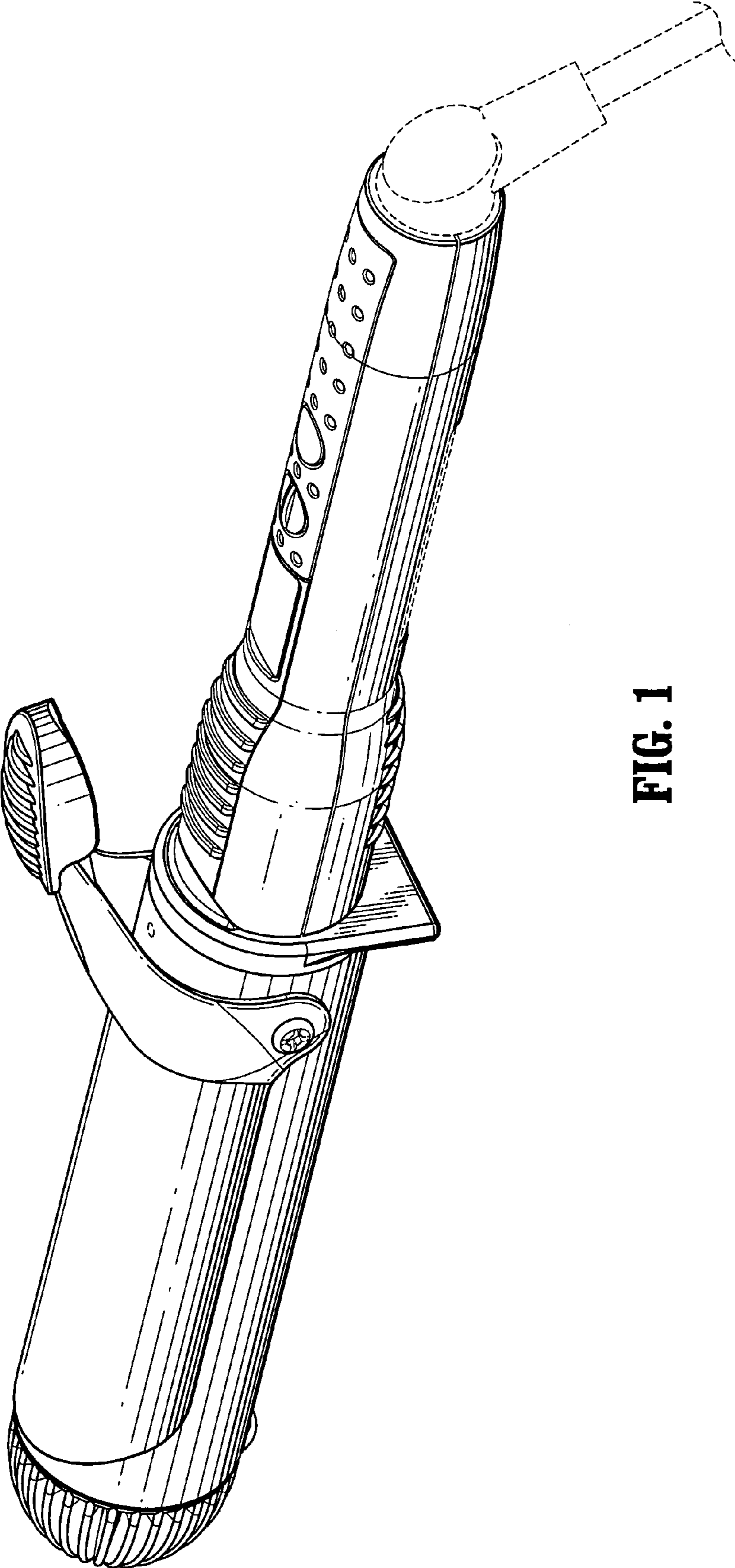


FIG. 1

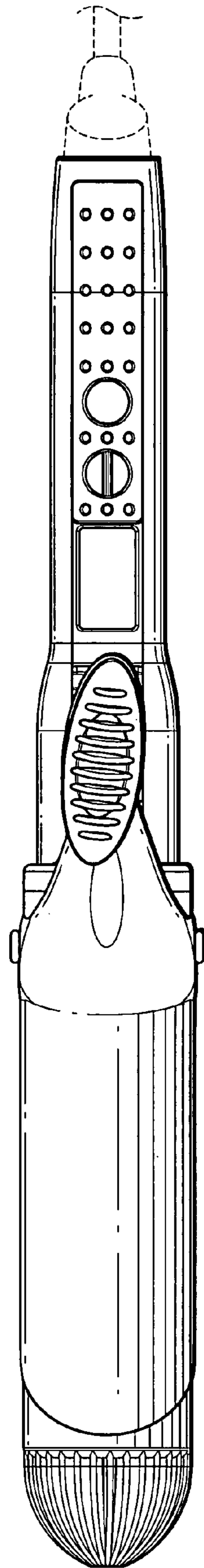


FIG. 2

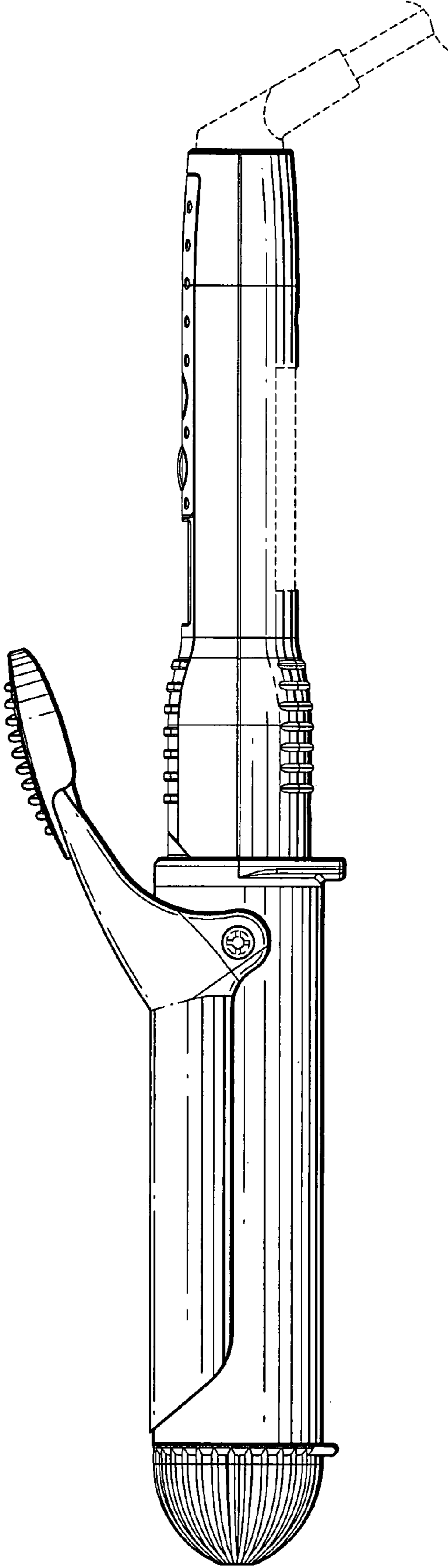


FIG. 3

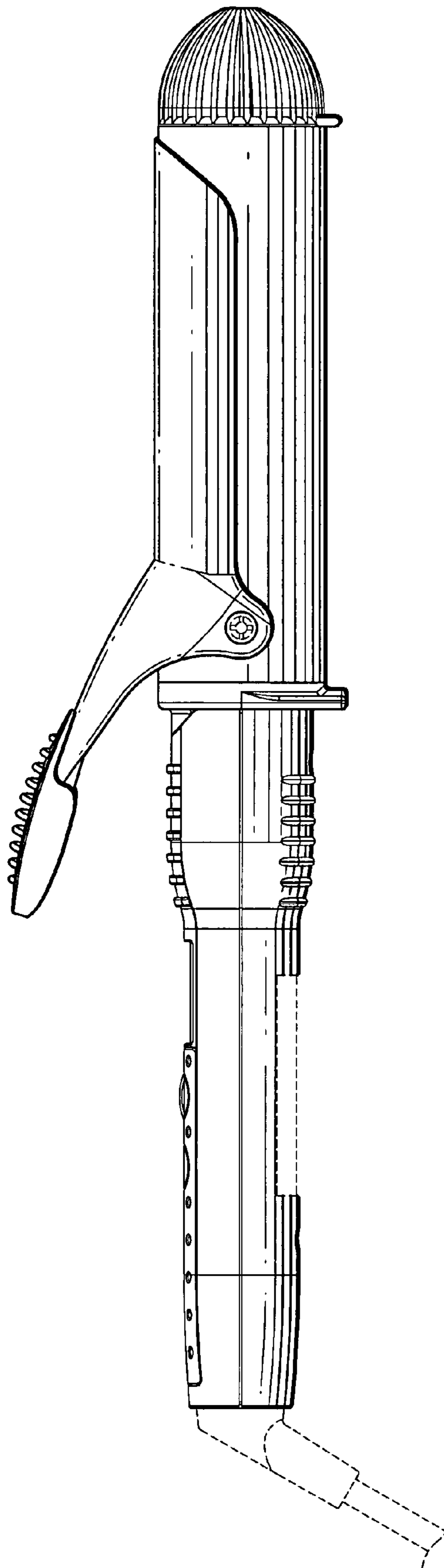


FIG. 4

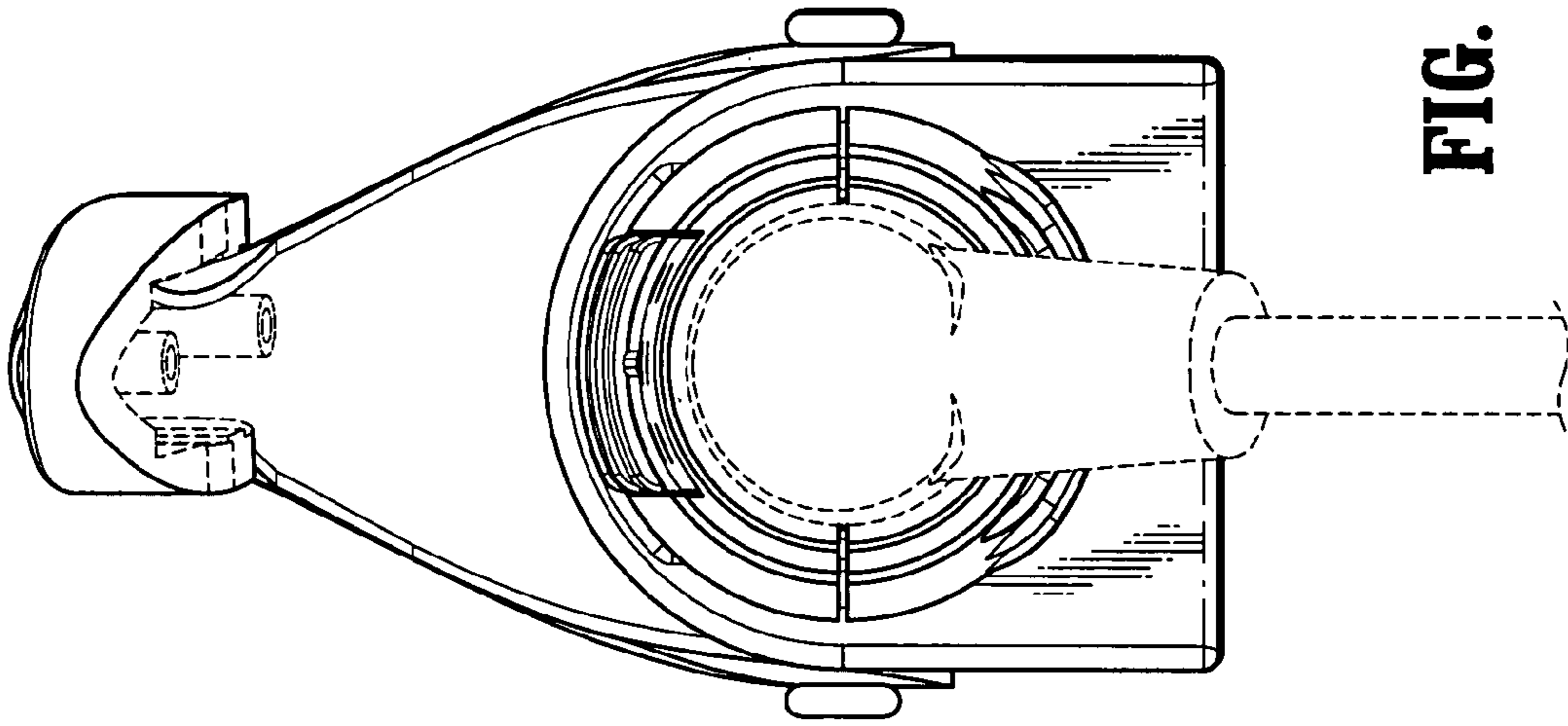


FIG. 6

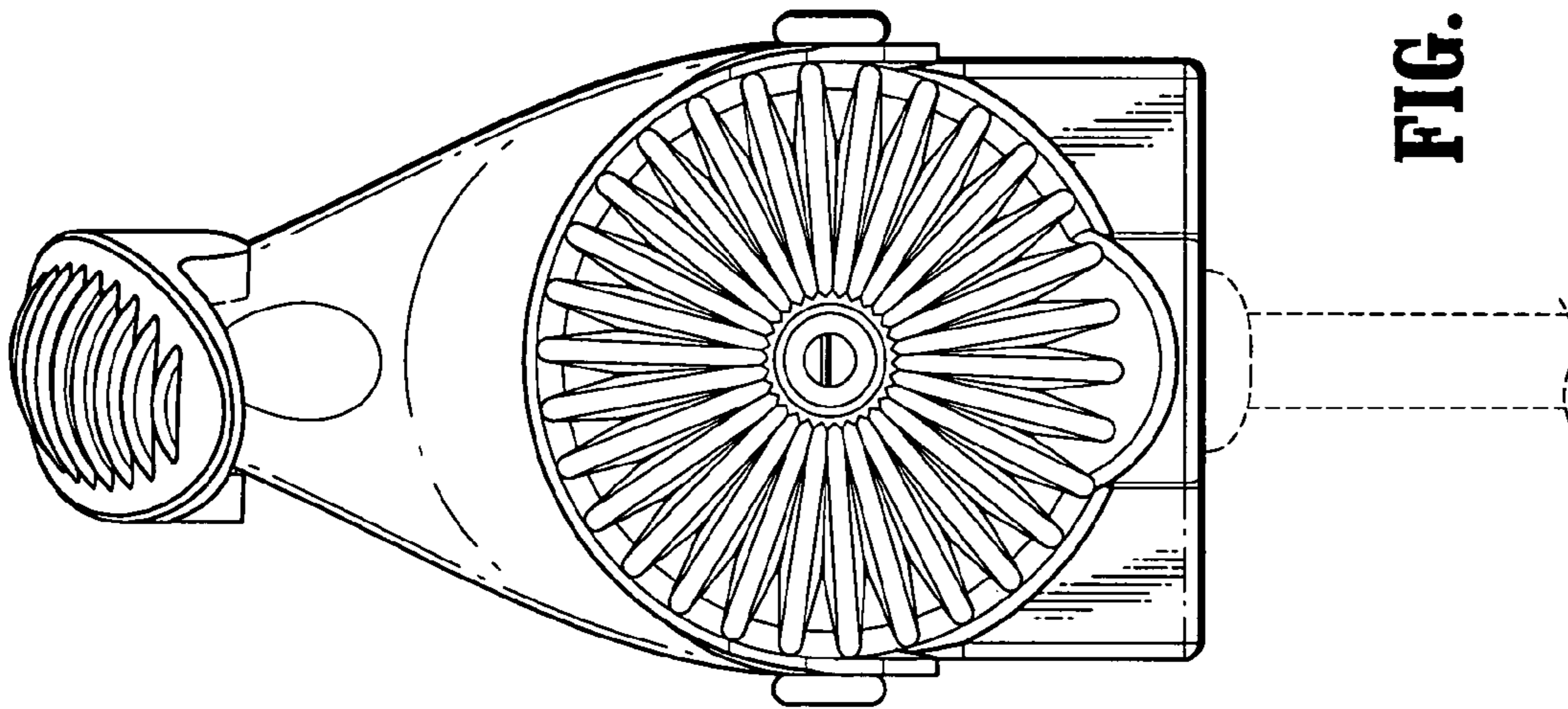


FIG. 5

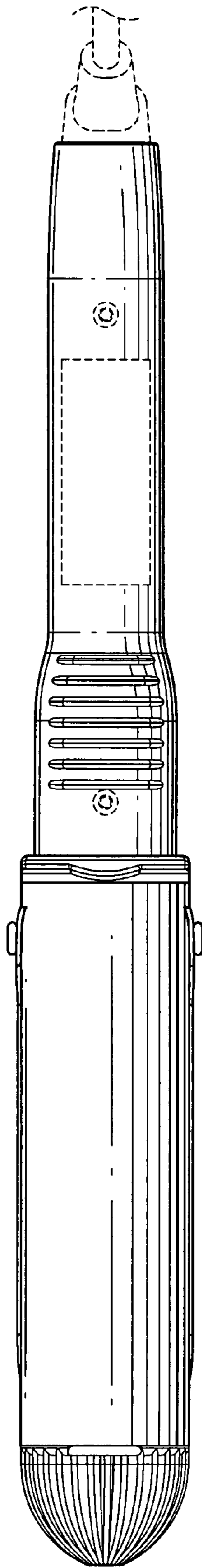


FIG. 7