

US00D561932S

(12) **United States Design Patent**
Summerford et al.

(10) **Patent No.:** **US D561,932 S**
(45) **Date of Patent:** **** Feb. 12, 2008**

(54) **LUMINAIRE**

(75) Inventors: **Robert L. Summerford**, Selma, TX
(US); **Claude Barozzini**, Macungie, PA
(US); **Mike Joss**, Chicago, IL (US)

(73) Assignee: **Genlyte Thomas Group, LLC**,
Louisville, KY (US)

(**) Term: **14 Years**

(21) Appl. No.: **29/198,093**

(22) Filed: **Jan. 23, 2004**

(51) **LOC (8) Cl.** **26-99**

(52) **U.S. Cl.** **D26/128**

(58) **Field of Classification Search** D26/139,
D26/142, 152, 77, 76, 37, 123, 128, 120,
D26/118, 113, 138, 3, 28, 72, 124, 121, 122,
D26/75, 79, 90, 105; D13/180; 362/614,
362/611, 612, 632, 555, 516, 147, 148, 216,
362/217, 260, 291, 296, 297, 341, 346, 404,
362/407, 431, 800

See application file for complete search history.

(56) **References Cited**

U.S. PATENT DOCUMENTS

2,132,784 A * 10/1938 Guth 362/309
2,869,690 A * 1/1959 Winters et al. 362/431
D222,103 S * 9/1971 Anderson D26/85

D230,071 S * 1/1974 Anderson D26/67
5,797,721 A * 8/1998 Yu 415/5
D428,180 S * 7/2000 Orellana et al. D26/67
6,357,892 B1 * 3/2002 Beadle 362/267
D467,676 S * 12/2002 Packer et al. D26/72
D468,049 S * 12/2002 Ries et al. D26/89
D468,472 S * 1/2003 Mullally et al. D26/67
6,612,718 B1 * 9/2003 Packer et al. 362/267

* cited by examiner

Primary Examiner—Freda S. Nunn

Assistant Examiner—Kevin K. Rudzinski

(74) *Attorney, Agent, or Firm*—Steven Alan Witters;
Middleton & Reutlinger

(57) **CLAIM**

The ornamental design for a luminaire, as shown and described.

DESCRIPTION

FIG. 1 is a perspective view for a luminaire light fixture showing our design;

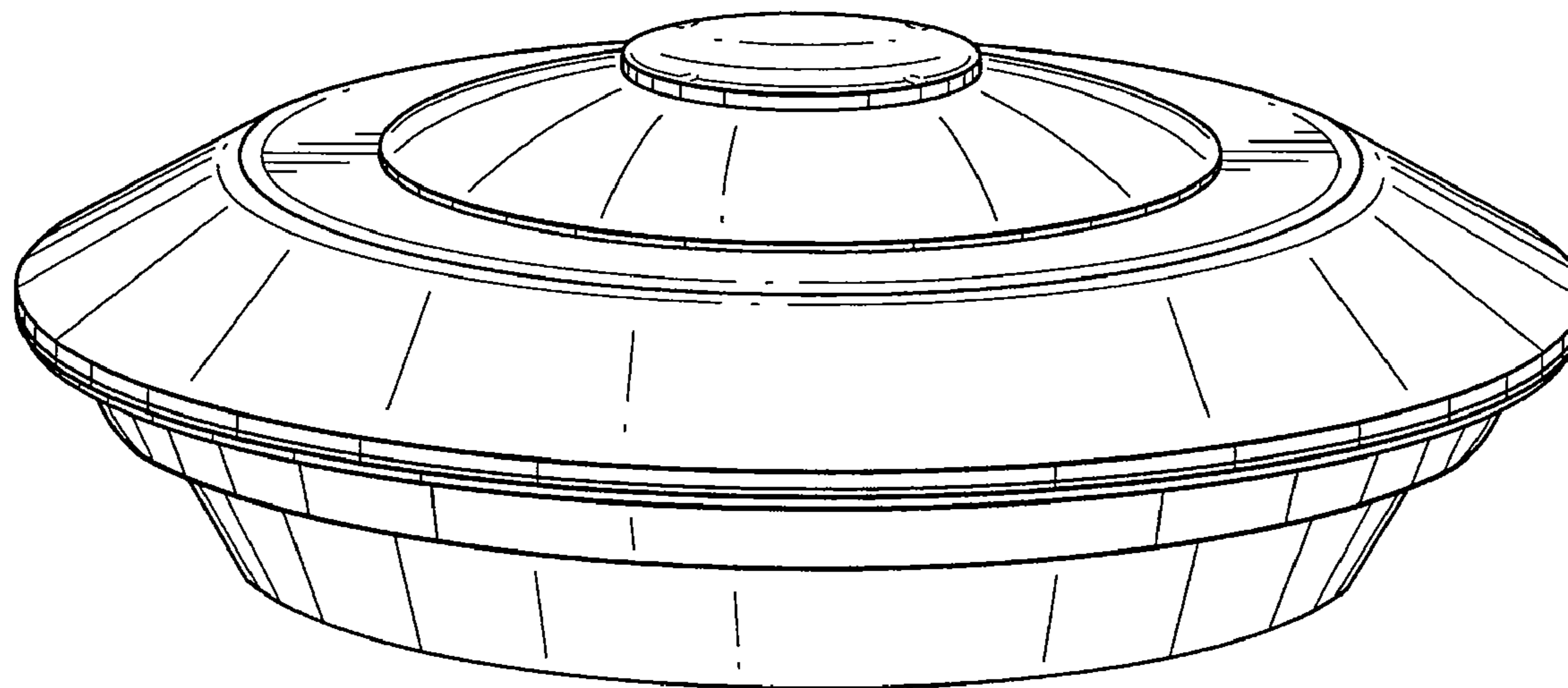
FIG. 2 is a side view thereof;

FIG. 3 is a top view thereof; and,

FIG. 4 is a bottom view thereof.

The broken line showing is included for the purpose of illustration only and forms no part of the claimed design.

1 Claim, 4 Drawing Sheets



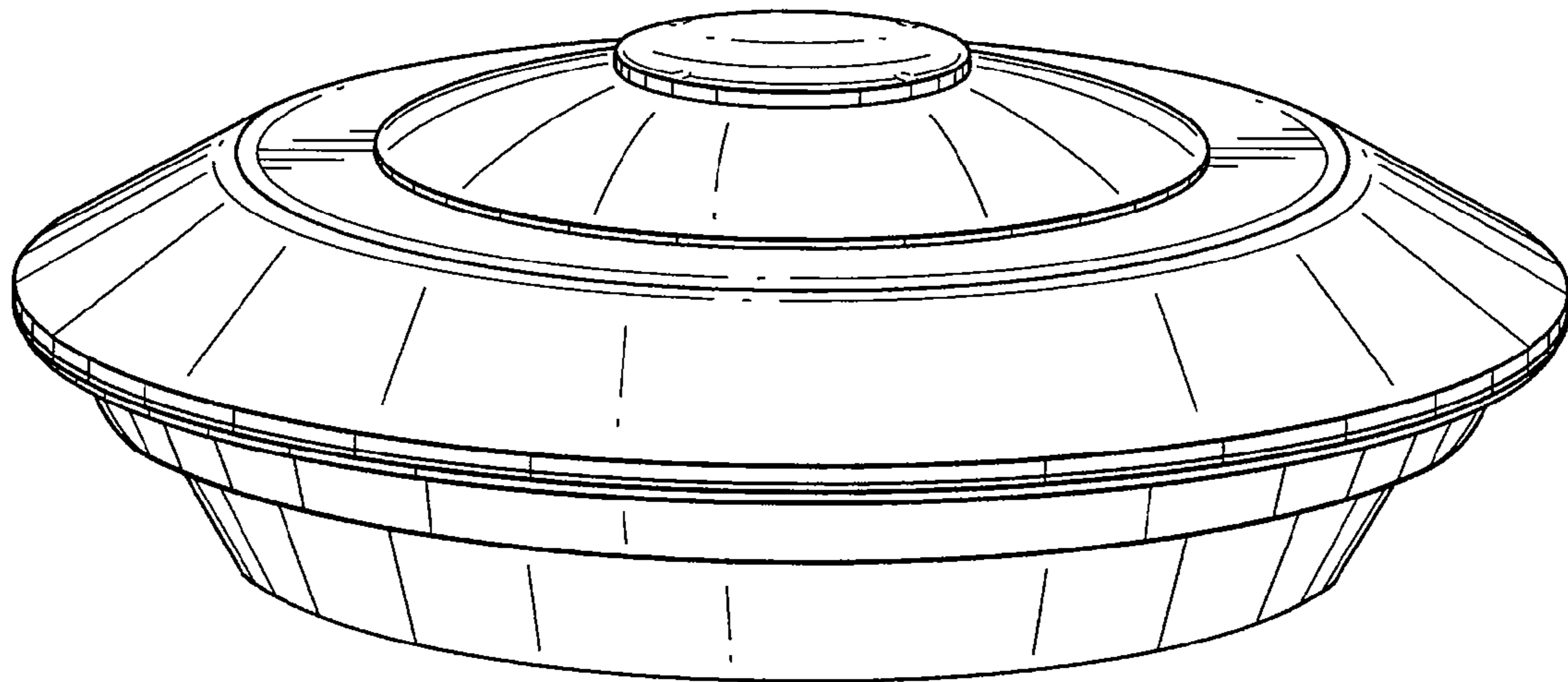


FIG. 1

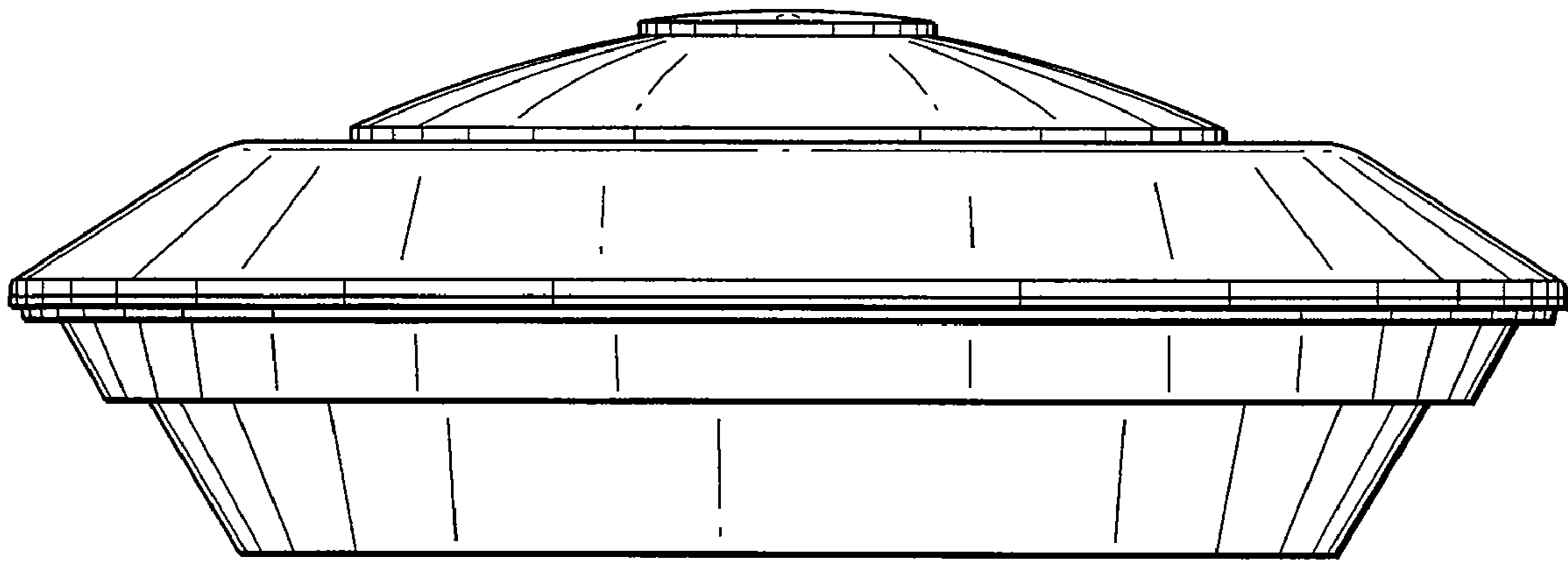


FIG. 2

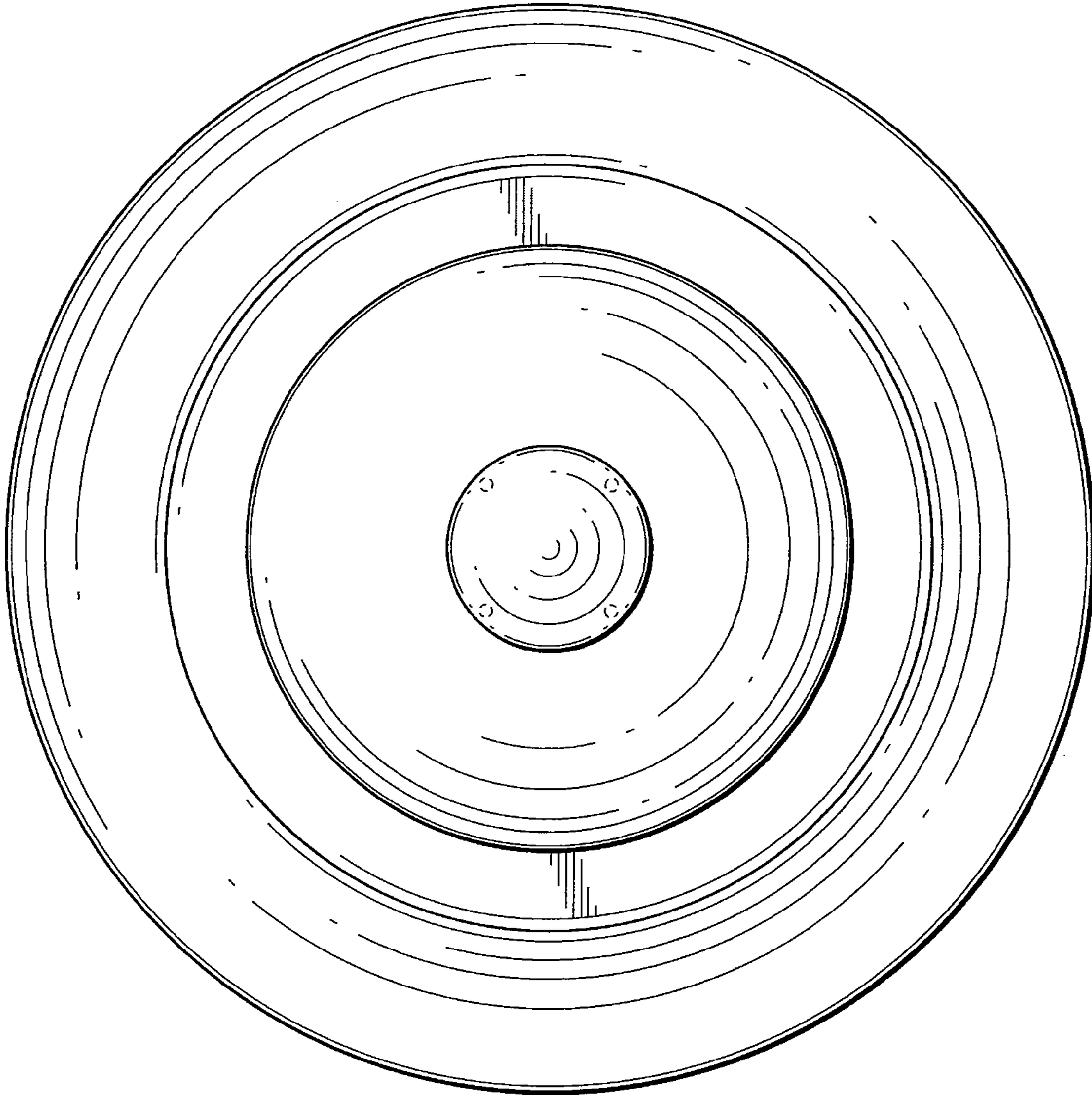


FIG. 3

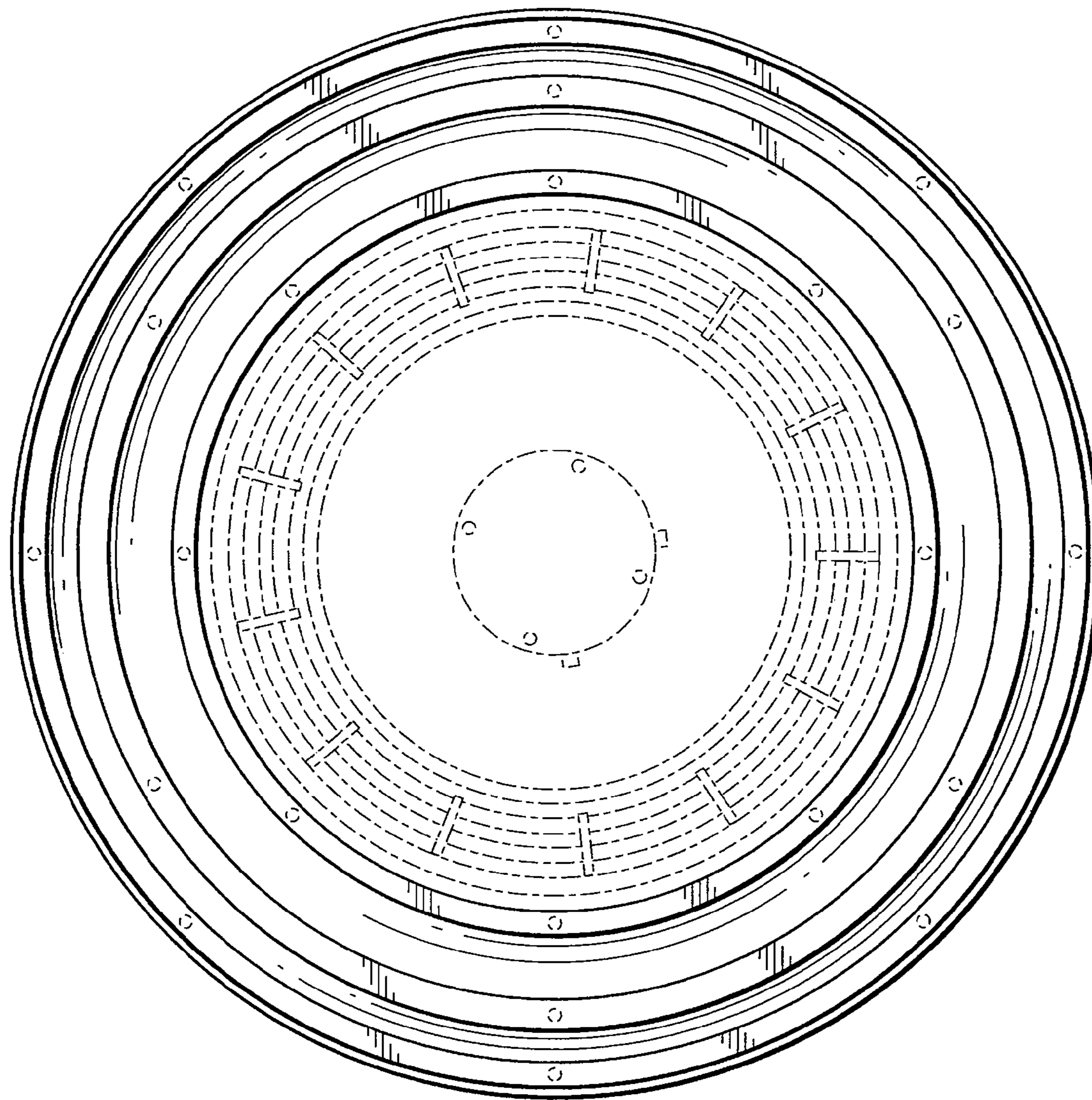


FIG. 4