

US00D561928S

(12) **United States Design Patent**
Silver

(10) **Patent No.:** **US D561,928 S**

(45) **Date of Patent:** **** Feb. 12, 2008**

(54) **LIGHT FIXTURE**

(75) Inventor: **Remy Silver**, Toronto (CA)

(73) Assignee: **Beta-Calco Inc.**, Ontario (CA)

(**) Term: **14 Years**

(21) Appl. No.: **29/278,796**

(22) Filed: **Apr. 10, 2007**

(30) **Foreign Application Priority Data**

Oct. 11, 2006 (CA) 117838

(51) **LOC (8) Cl.** **26-03**

(52) **U.S. Cl.** **D26/88; D26/90**

(58) **Field of Classification Search** D26/72,
D26/75, 79, 84, 85, 86, 88, 90, 91; 362/147,
362/404-408, 432

See application file for complete search history.

(56) **References Cited**

U.S. PATENT DOCUMENTS

D63,702 S *	1/1924	Sinkins	D26/91
3,258,239 A *	6/1966	Green	248/342
D209,226 S *	11/1967	Powers, Jr.	D26/91
D226,973 S *	5/1973	Monte	D26/75
D227,499 S *	6/1973	Monte	D26/75
D227,593 S *	7/1973	Monte	D26/75
4,344,112 A *	8/1982	Brown	362/96
D459,525 S *	6/2002	Barry	D26/88
7,249,871 B2 *	7/2007	Chen	362/407

OTHER PUBLICATIONS

Tetra Pendant #700FJTETW from Tech Lighting. Found online at LBCLighting.com Sep. 20, 2007.*

Casa Pendant #F1672-668 from Forecast Lighting. Found online at LBCLighting.com Sep. 20, 2007.*

* cited by examiner

Primary Examiner—Clare E Heflin

(74) *Attorney, Agent, or Firm*—Renner, Otto, Boisselle & Sklar, LLP

(57) **CLAIM**

The ornamental design for a light fixture, as shown and described.

DESCRIPTION

FIG. 1 is a perspective view of the light fixture showing my new design.

FIG. 2 is a right side view of the light fixture shown in FIG. 1.

FIG. 3 is a front view of the light fixture shown in FIG. 1.

FIG. 4 is bottom view of the light fixture shown in FIG. 1.

FIG. 5 is a perspective view of a variant of the light fixture.

FIG. 6 is a side view of the light fixture shown in FIG. 5.

FIG. 7 is a bottom view of the light fixture shown FIG. 5.

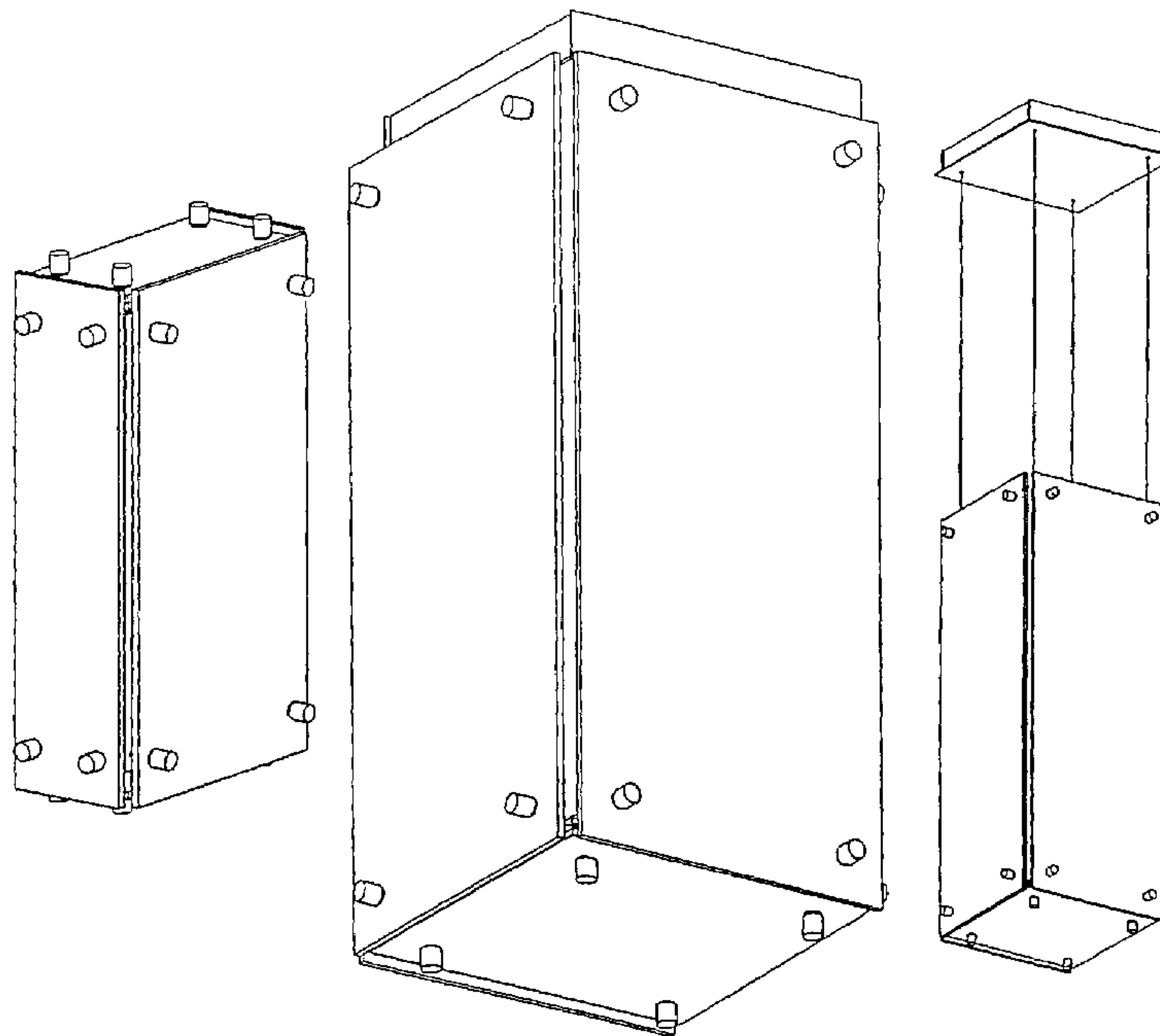
FIG. 8 is a perspective view of a second variant of the light fixture.

FIG. 9 is a side view of the light fixture shown FIG. 8.

FIG. 10 is a front view of the light fixture shown FIG. 8; and,

FIG. 11 is a bottom view of the light fixture shown FIG. 8.

1 Claim, 3 Drawing Sheets



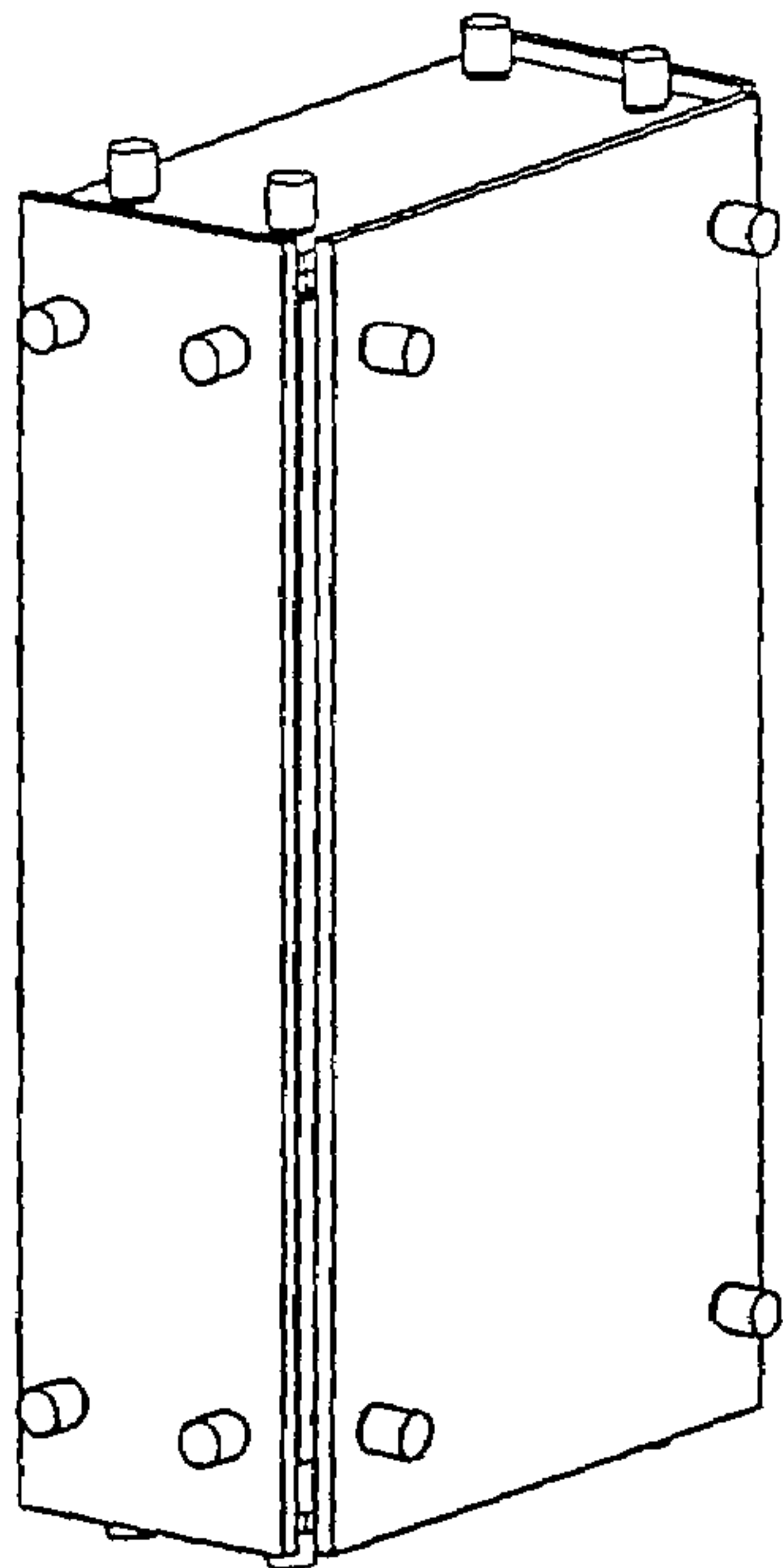


FIG. 1

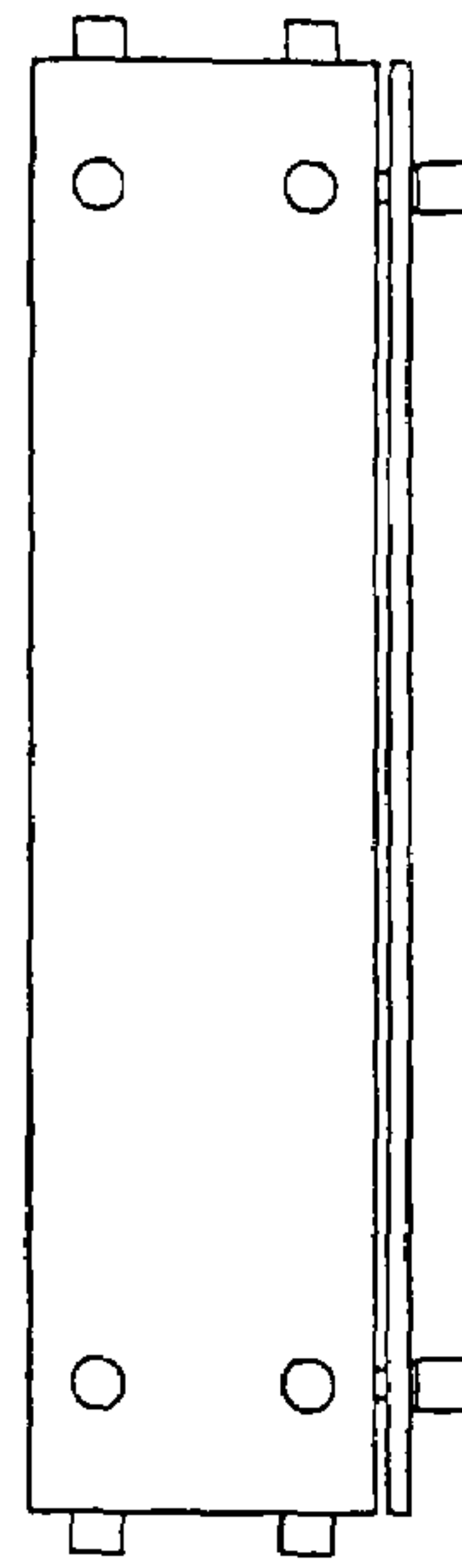


FIG. 2

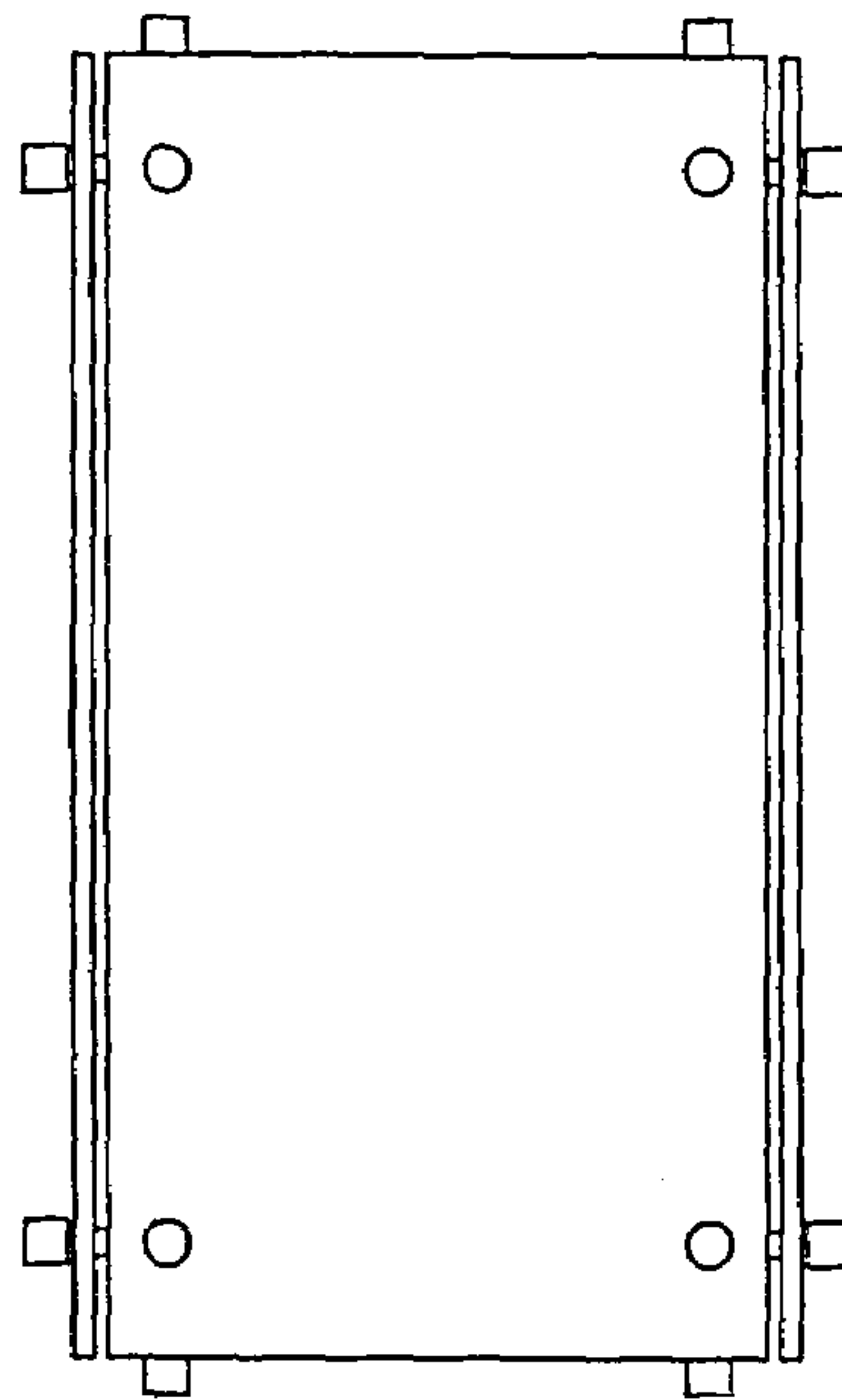


FIG. 3

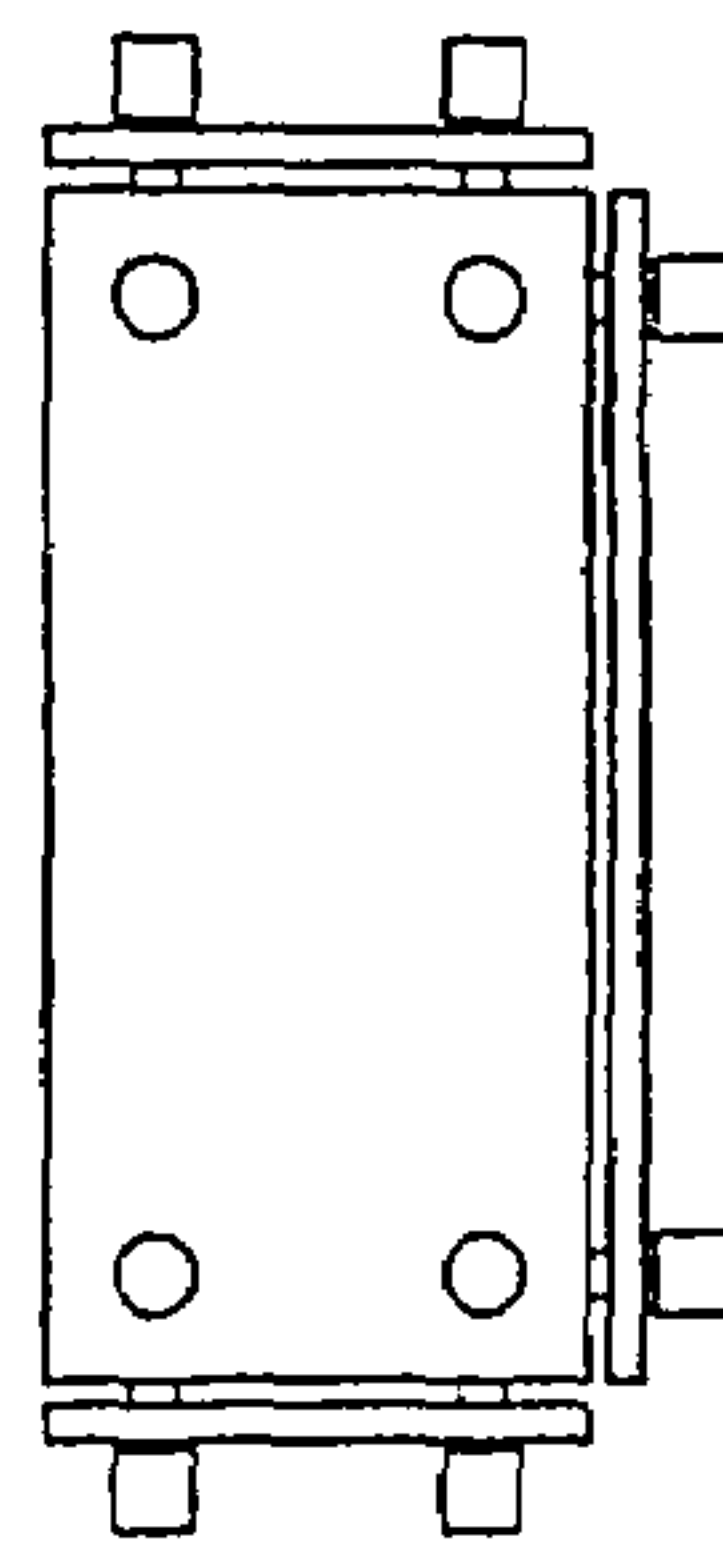


FIG. 4

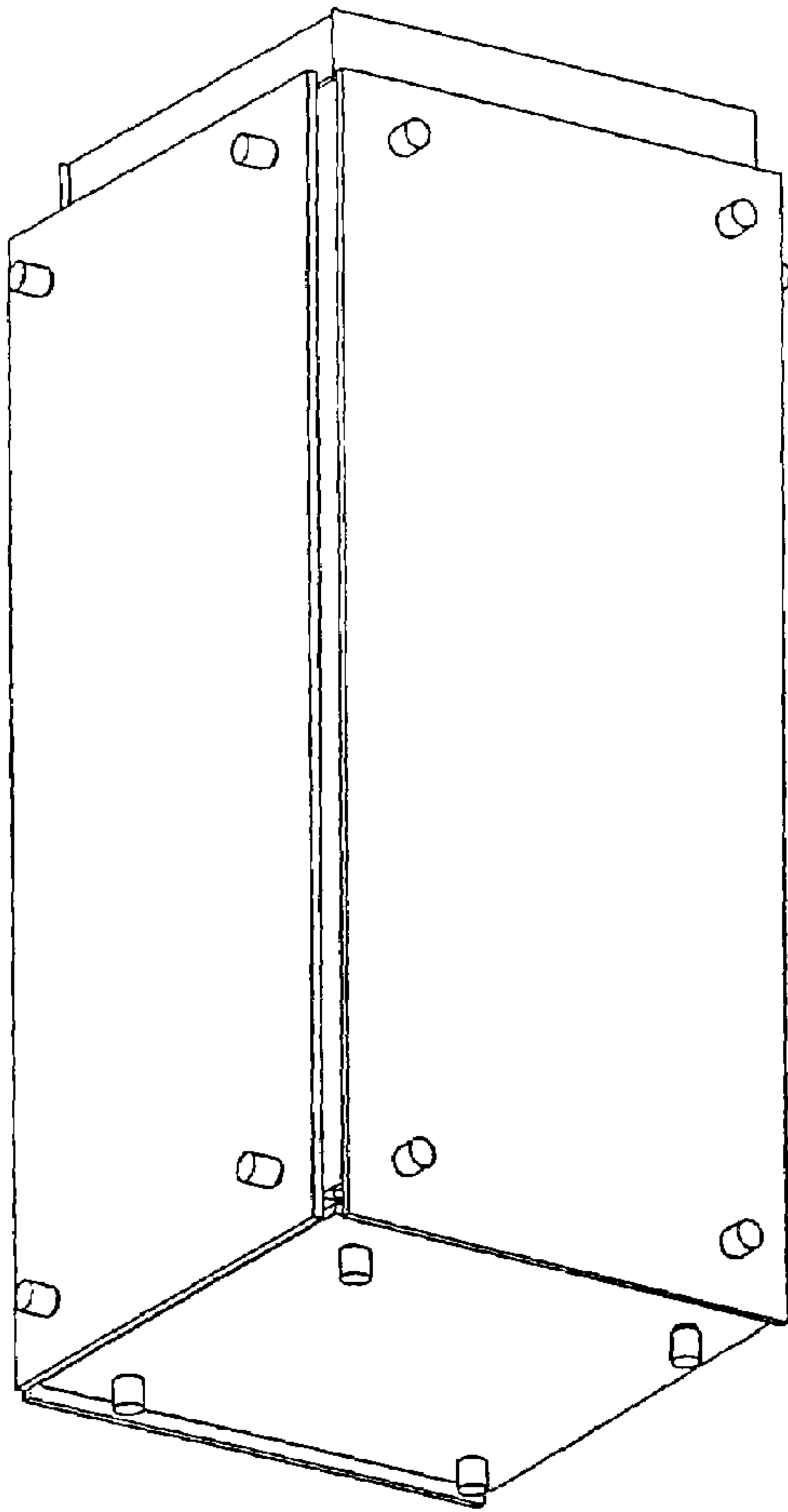


FIG. 5

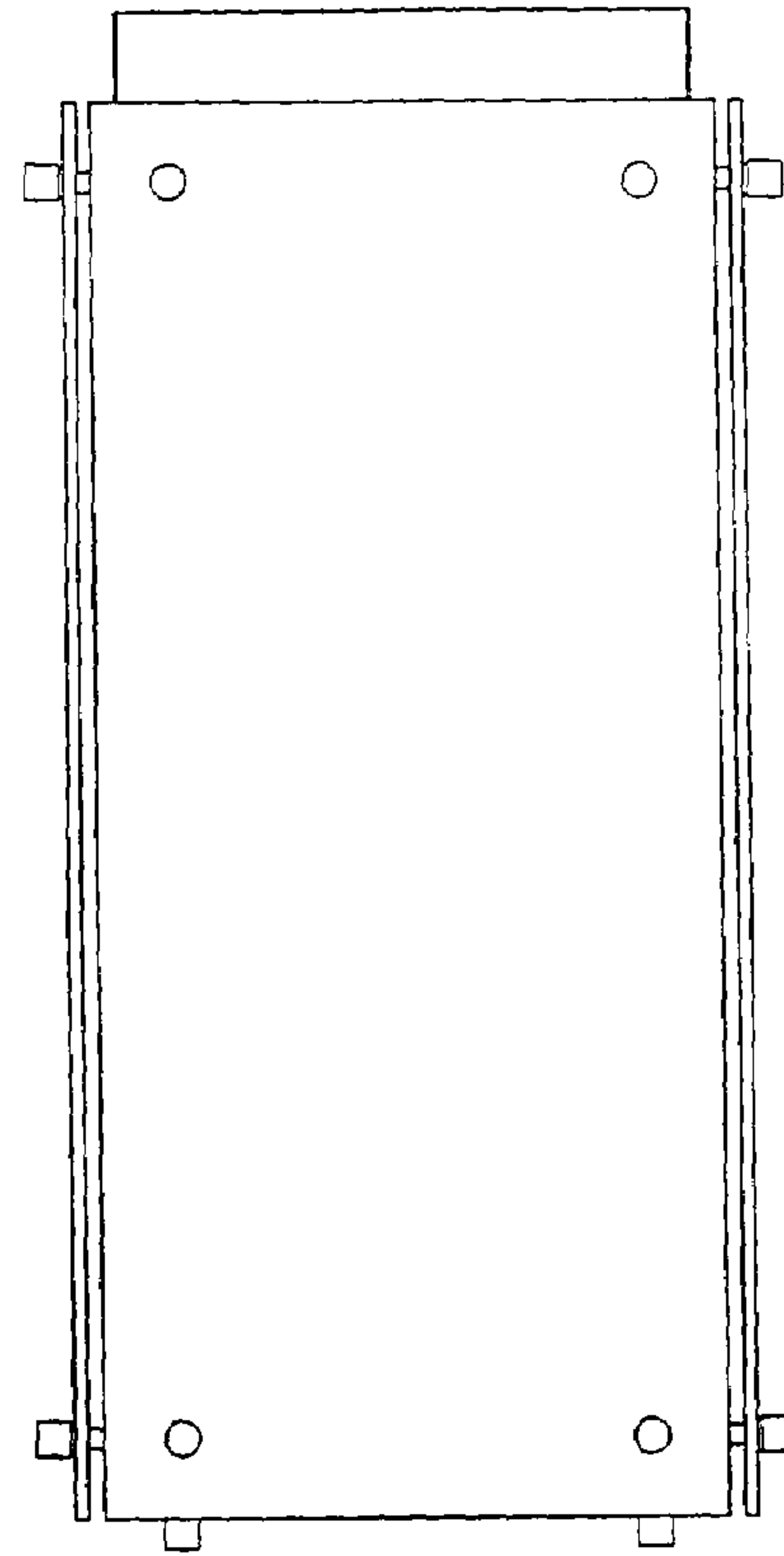


FIG. 6

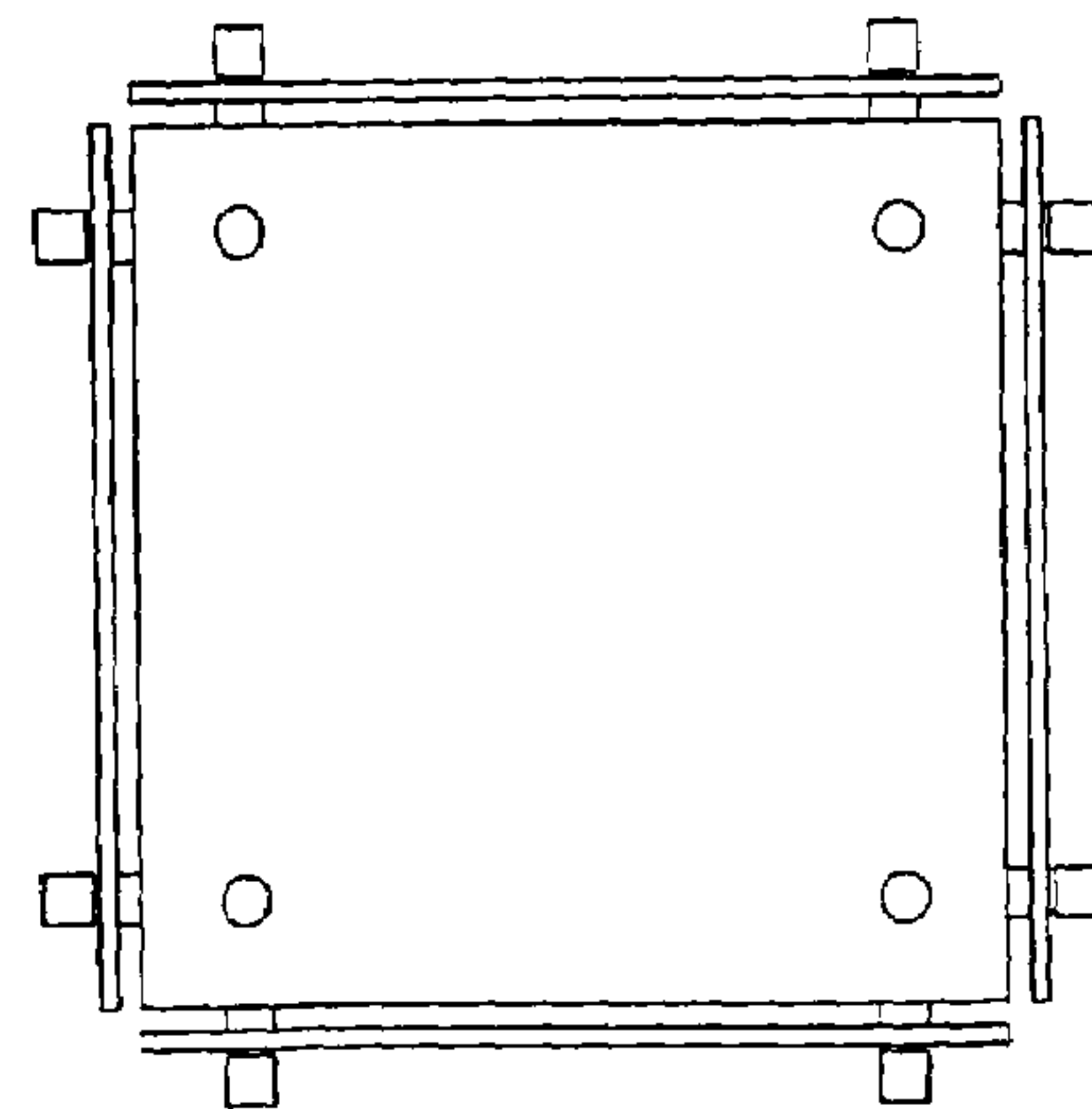


FIG. 7

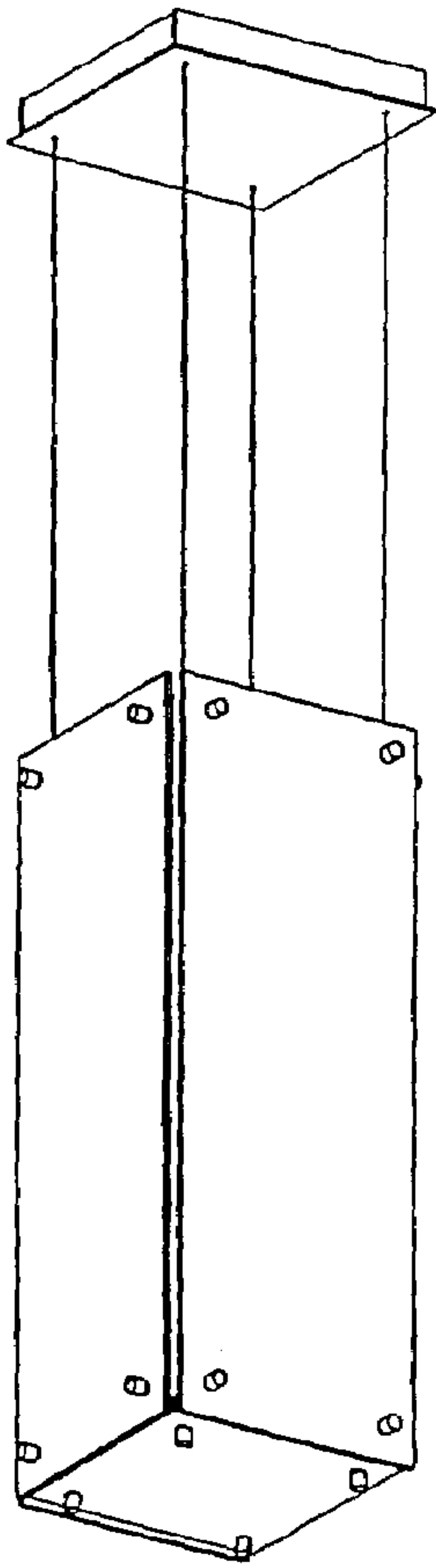


FIG. 8

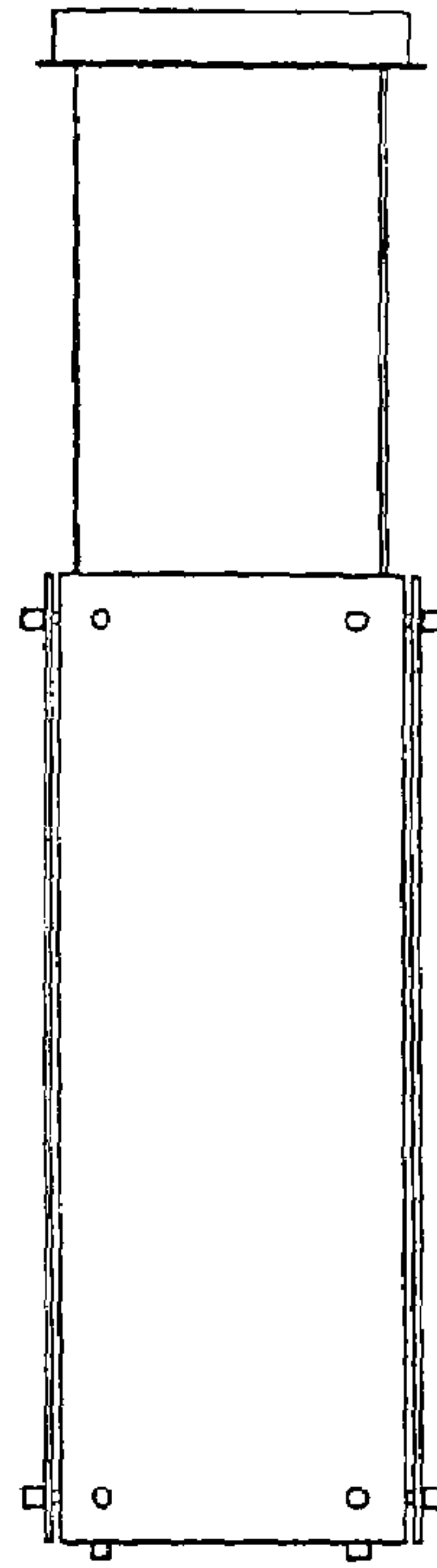


FIG. 9

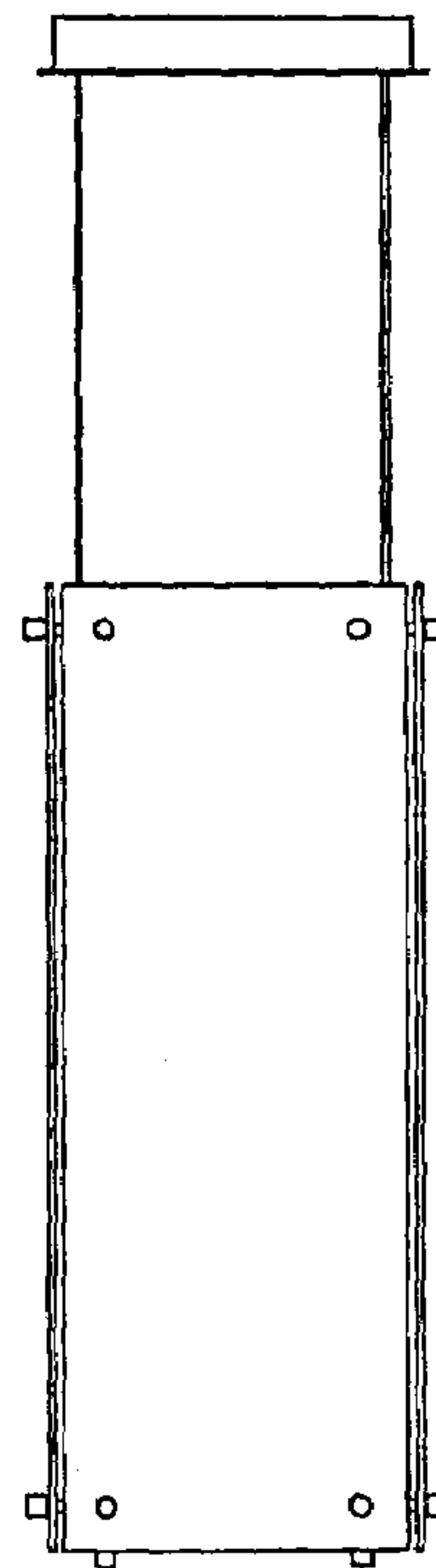


FIG. 10

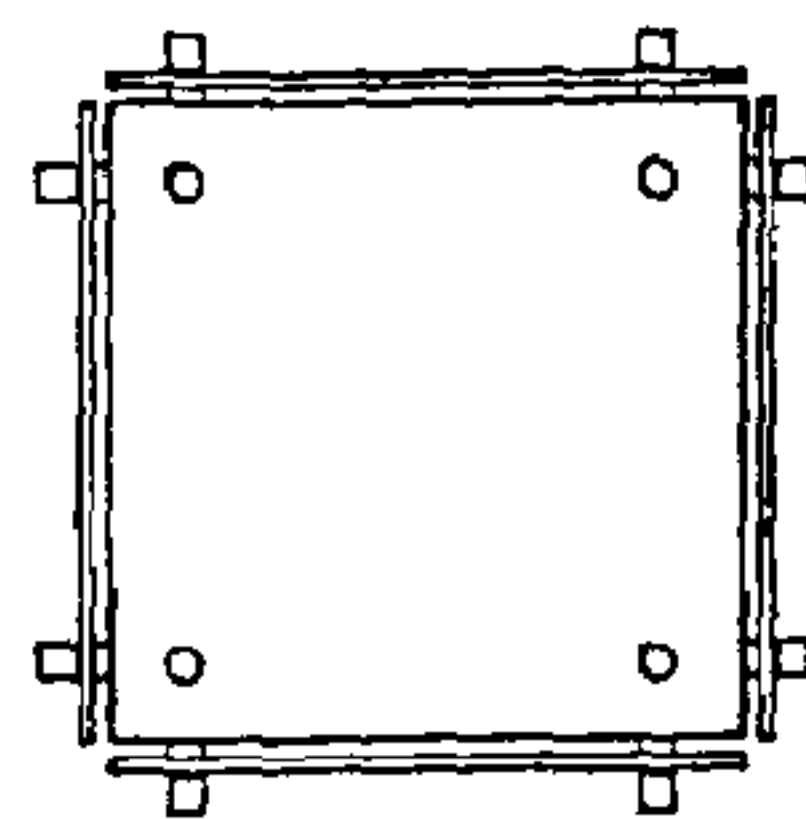


FIG. 11