



US00D561926S

(12) **United States Design Patent**  
**Salman**

(10) **Patent No.:** **US D561,926 S**

(45) **Date of Patent:** **\*\* Feb. 12, 2008**

(54) **LIGHTING FIXTURE**

(75) Inventor: **Utkan Salman**, Oakland, CA (US)

(73) Assignee: **Acuity Brands, Inc.**, Atlanta, GA (US)

(\*\*) Term: **14 Years**

(21) Appl. No.: **29/268,027**

(22) Filed: **Oct. 26, 2006**

(51) **LOC (8) Cl.** ..... **26-03**

(52) **U.S. Cl.** ..... **D26/76**

(58) **Field of Classification Search** ..... D26/72,  
D26/74-79, 80, 81, 83, 85-89; 362/217-225,  
362/260, 283, 347, 363

See application file for complete search history.

(56) **References Cited**

U.S. PATENT DOCUMENTS

D122,903 S	*	10/1940	McCarthy	.....	D26/78
D130,745 S	*	12/1941	Mausshardt	.....	D26/78
D150,405 S	*	8/1948	Coneglio	.....	D26/78
D272,858 S	*	2/1984	Palka	.....	D26/80
D300,951 S	*	5/1989	Hughes et al.	.....	D26/78
D362,315 S		9/1995	Herst et al.		
D401,000 S		11/1998	Herst		
D405,907 S		2/1999	Herst et al.		
D405,908 S		2/1999	Herst et al.		
D428,508 S		7/2000	Irvine		
D464,161 S	*	10/2002	Nourishad	.....	D26/78
6,709,131 B1		3/2004	Herst et al.		
D496,747 S		9/2004	Herst et al.		
D505,224 S	*	5/2005	Smith et al.	.....	D26/142
D520,176 S		5/2006	Herst et al.		

\* cited by examiner

*Primary Examiner*—Carol Rademaker

*Assistant Examiner*—Susan E Krakower

(74) *Attorney, Agent, or Firm*—Donald L. Beeson; Beeson Skinner Beverly, LLP

(57) **CLAIM**

The ornamental design for a lighting fixture, as shown and described.

**DESCRIPTION**

FIG. 1 is a bottom perspective view of a first embodiment of a lighting fixture showing my new design;

FIG. 2 is a top perspective view thereof;

FIG. 3 is a bottom plan view thereof;

FIG. 4 is a top plan view thereof;

FIG. 5 is a left side elevational view thereof, the right side being a mirror image;

FIG. 6 is a front end elevational view thereof, the rear end being a mirror image;

FIG. 7 is a bottom perspective view of a second embodiment of a lighting fixture showing my new design;

FIG. 8 is a top perspective view thereof;

FIG. 9 is a bottom plan view thereof;

FIG. 10 is a top plan view thereof;

FIG. 11 is a left side elevational view thereof, the right side being a mirror image; and,

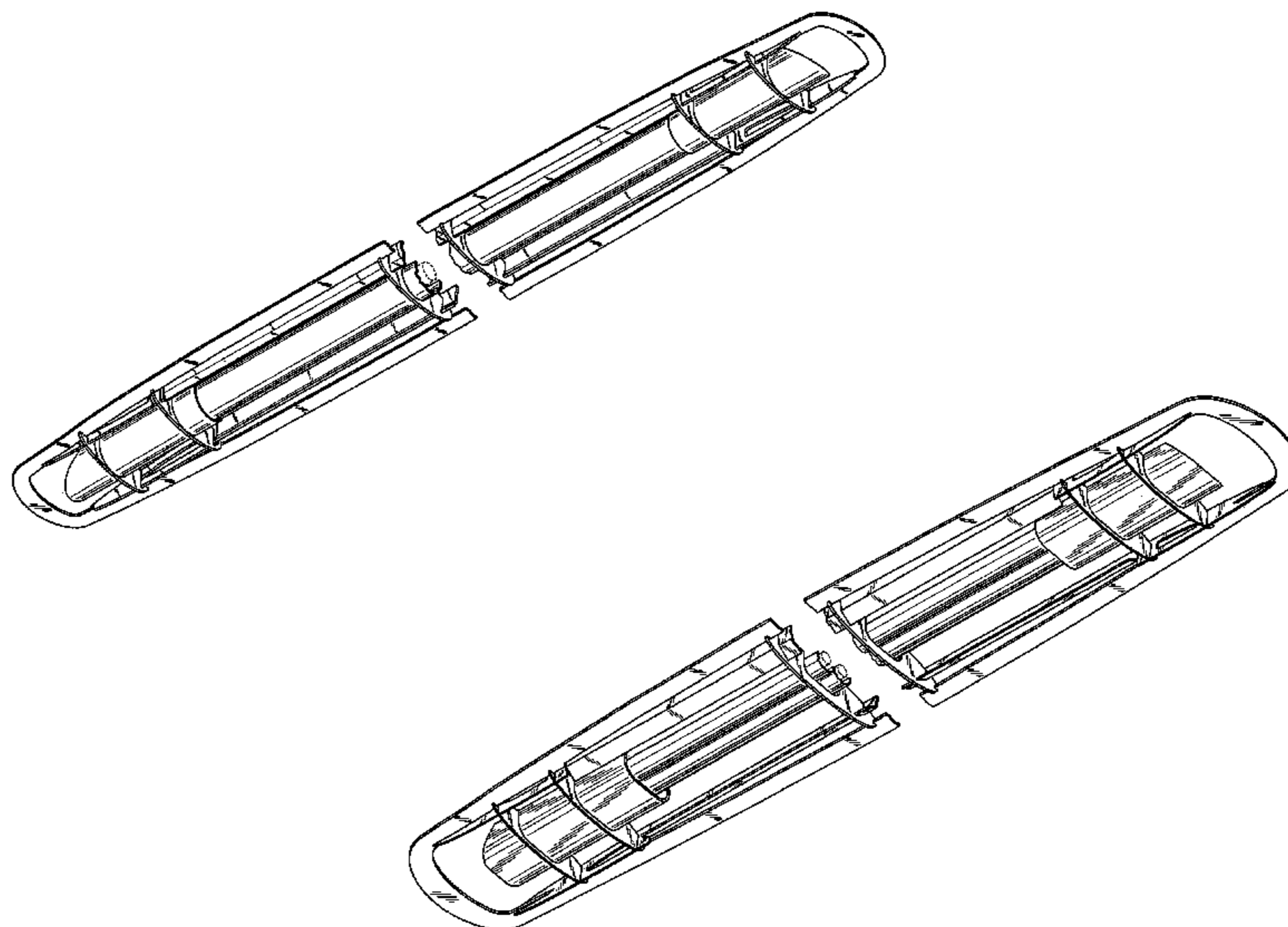
FIG. 12 is a front end elevational view thereof, the rear end being a mirror image.

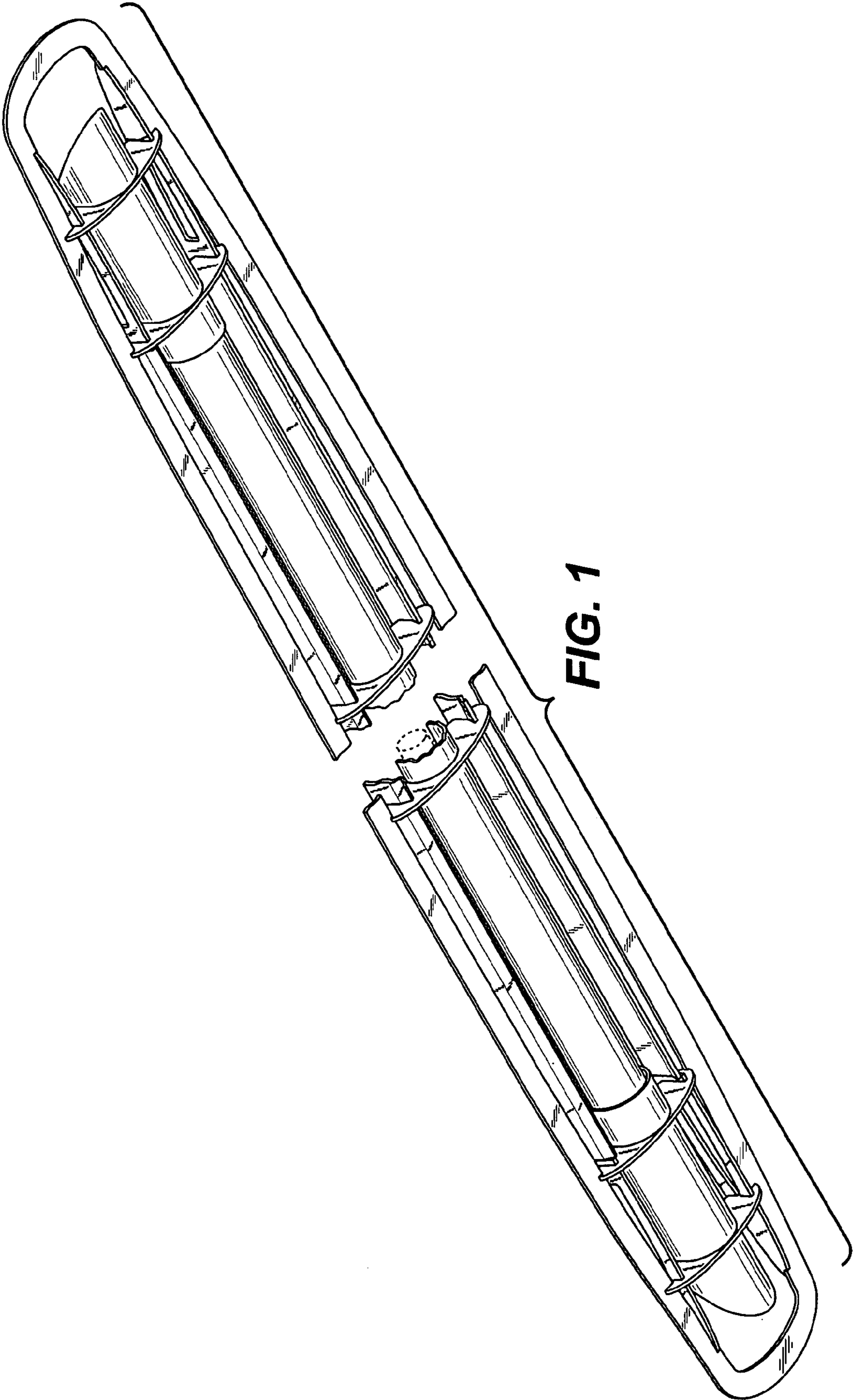
FIGS. 1-5 and 7-11 are broken away to indicate indeterminate length.

The dash-dash-dash broken lines showing of fluorescent tubes and lamp sockets are included for the purpose of illustrating environmental structure and form no part of the claimed design.

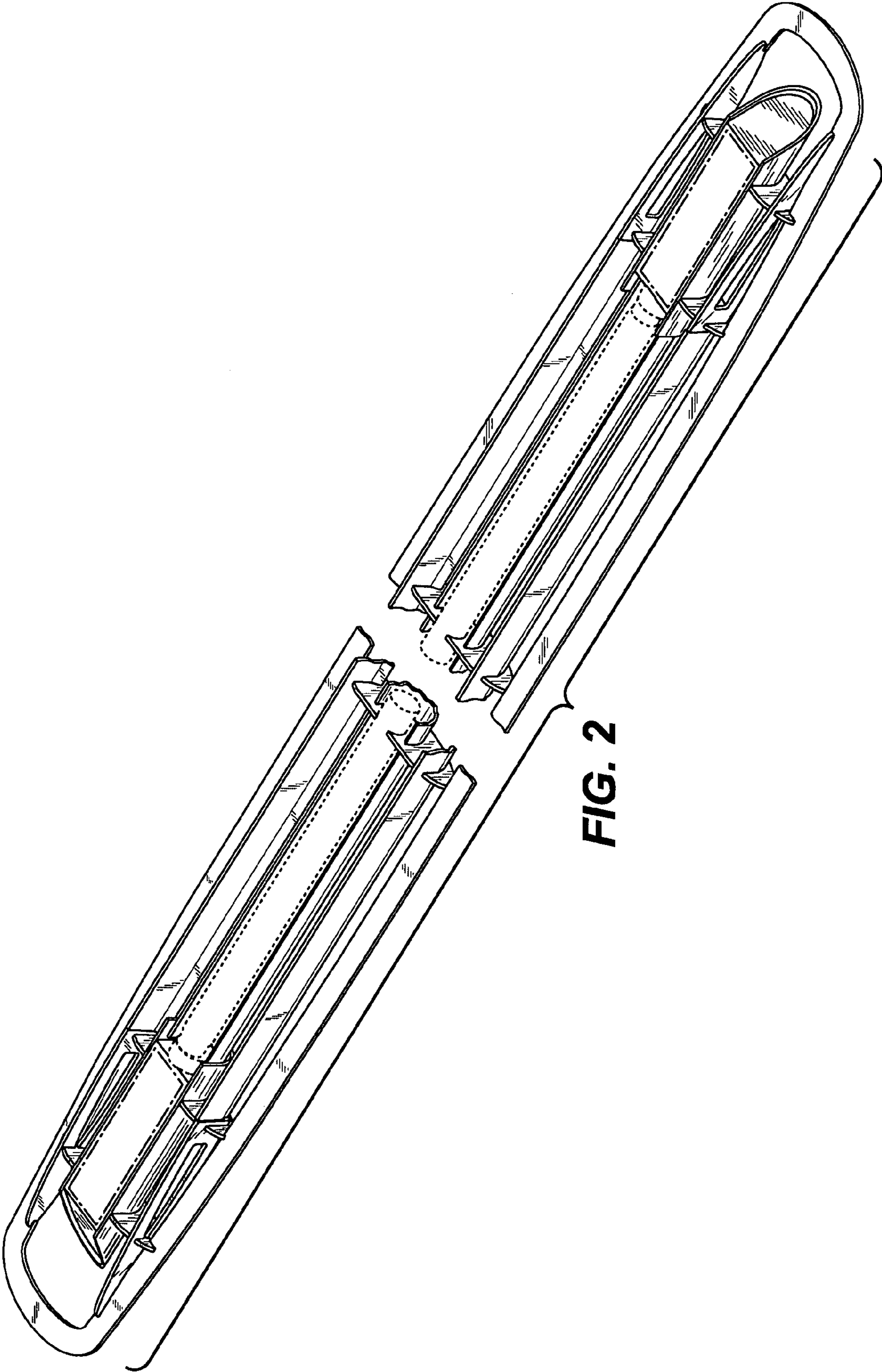
The dash-dot-dash-dot broken lines shown in the drawings define the boundaries of the claimed design.

**1 Claim, 6 Drawing Sheets**

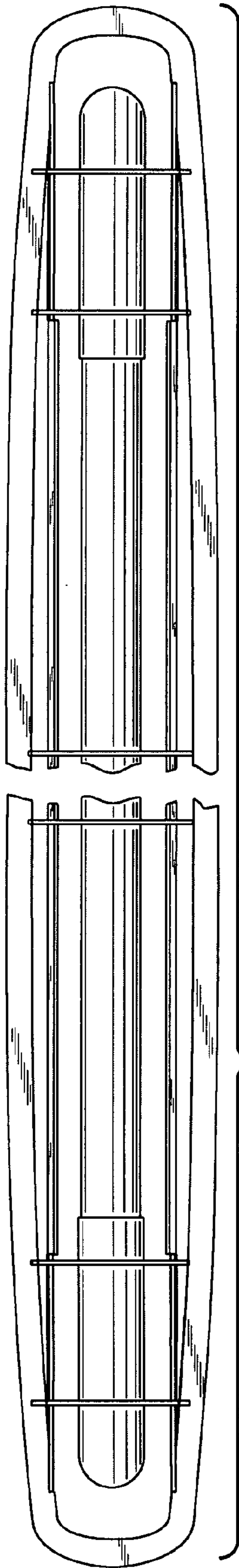




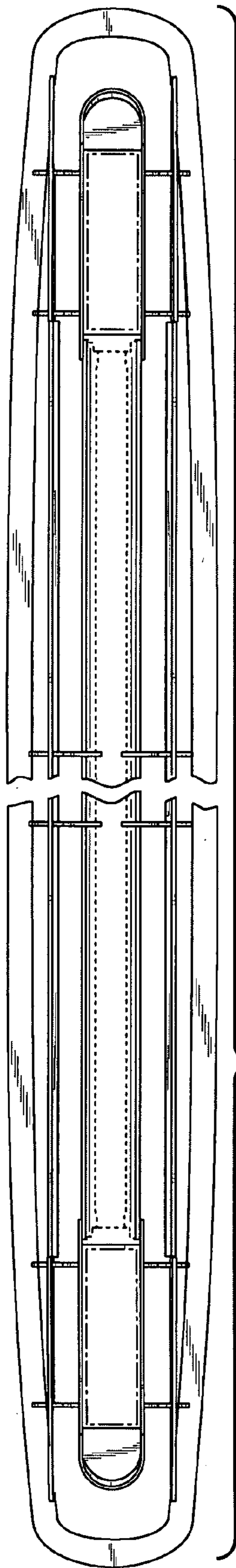
**FIG. 1**



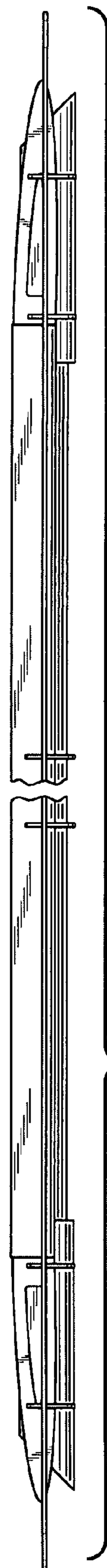
**FIG. 2**



**FIG. 3**



**FIG. 4**



**FIG. 5**



**FIG. 6**

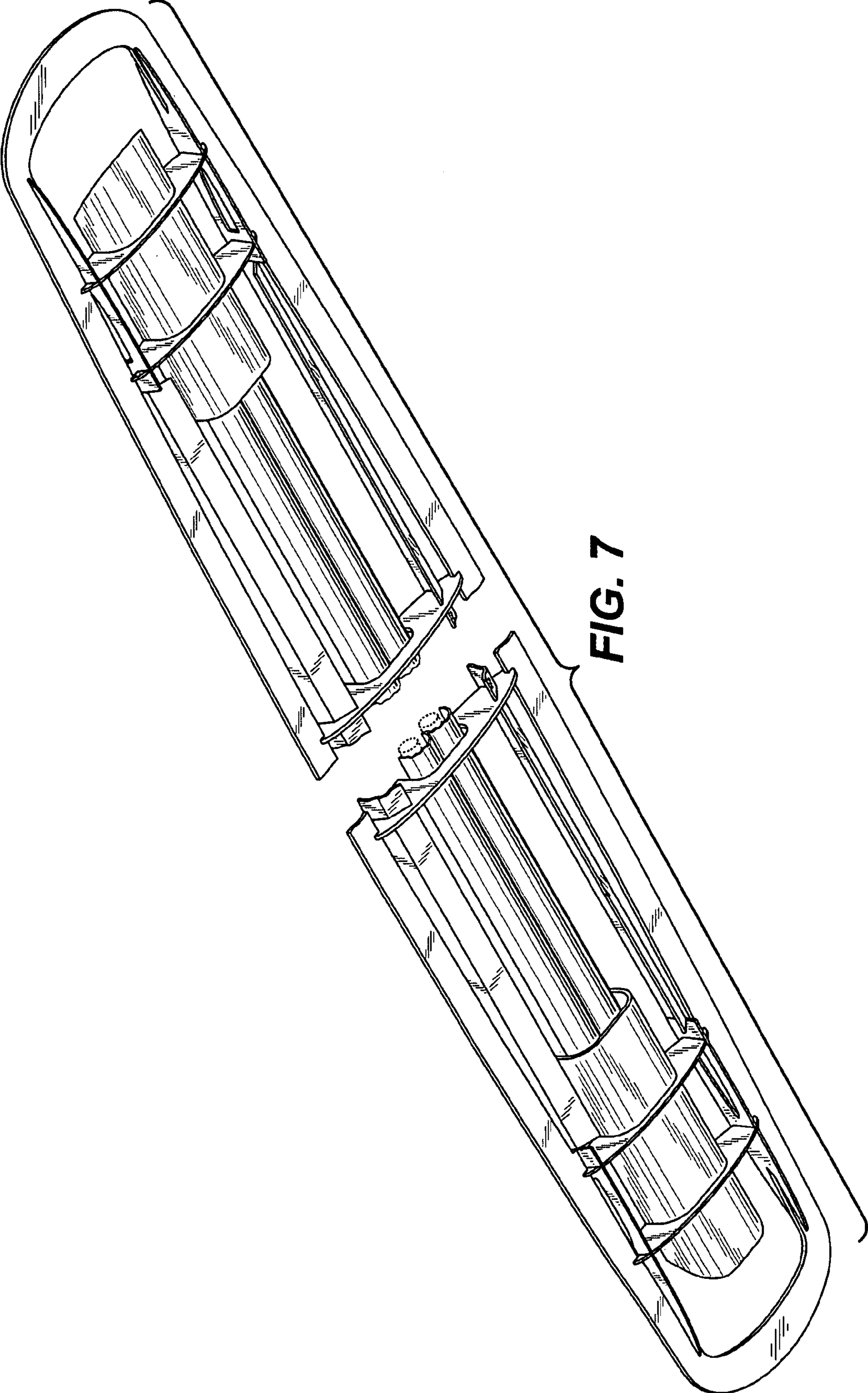


FIG. 7

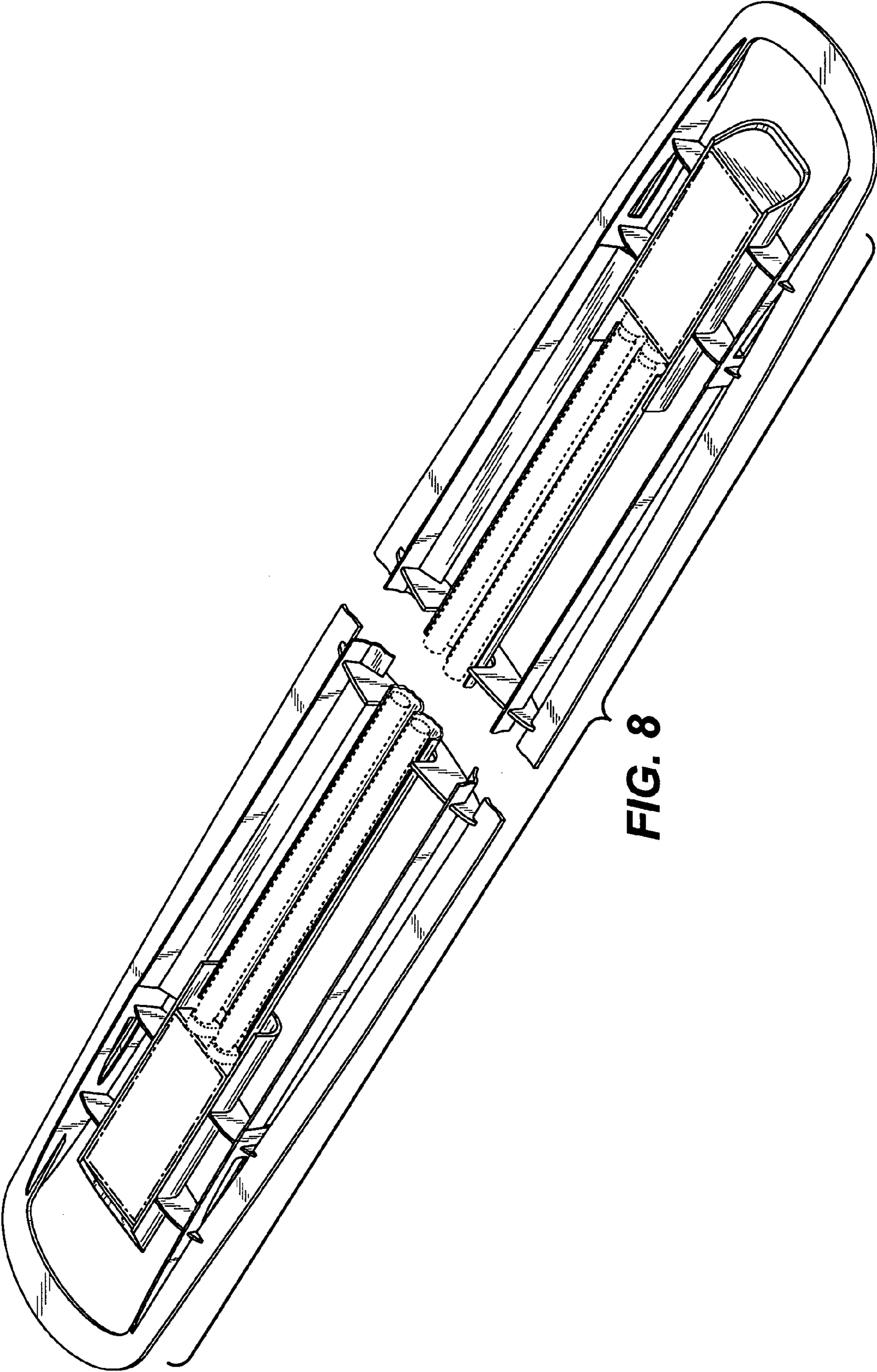
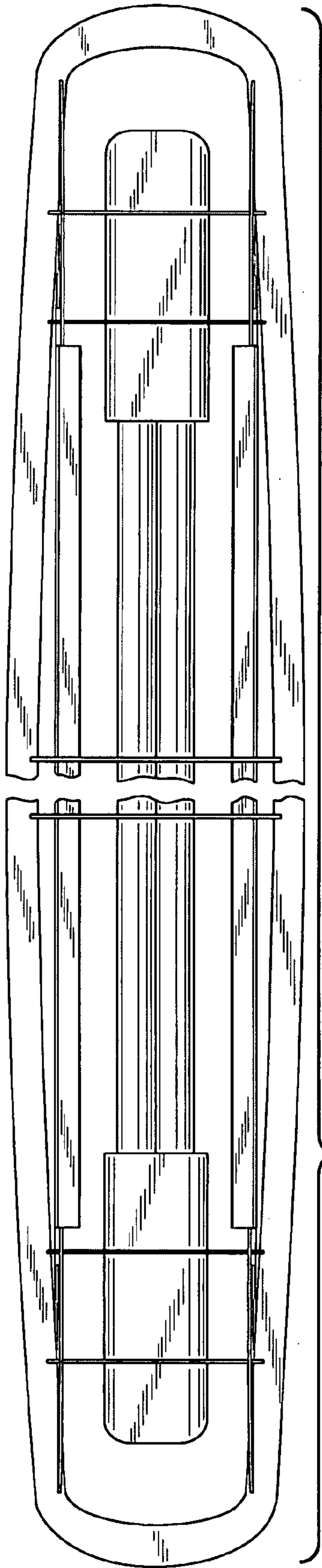
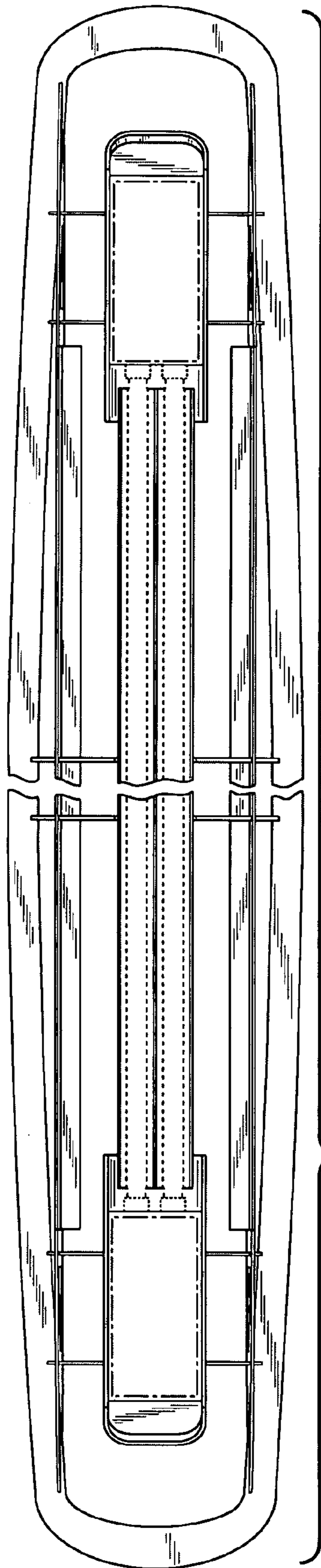


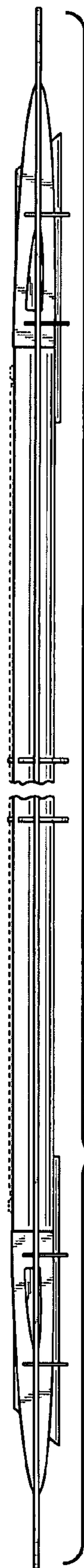
FIG. 8



**FIG. 9**



**FIG. 10**



**FIG. 11**



**FIG. 12**