

US00D561925S

(12) **United States Design Patent**
Levine

(10) **Patent No.:** **US D561,925 S**

(45) **Date of Patent:** **** Feb. 12, 2008**

(54) **LIGHTING DEVICE**

(76) **Inventor:** **Jonathan Levine**, 419 Park Ave., Suite
1302, New York, NY (US) 10016

(**) **Term:** **14 Years**

(21) **Appl. No.:** **29/267,228**

(22) **Filed:** **Oct. 5, 2006**

Related U.S. Application Data

(63) Continuation-in-part of application No. 11/510,083,
filed on Aug. 25, 2006.

(51) **LOC (8) Cl.** **26-05**

(52) **U.S. Cl.** **D26/72**

(58) **Field of Classification Search** D26/60-68,
D26/72-92; 362/147, 150, 237, 404-406,
362/418, 430, 432, 555, 800, 806
See application file for complete search history.

(56) **References Cited**

U.S. PATENT DOCUMENTS

- D222,500 S * 10/1971 Gugelot D26/37
- D371,857 S * 7/1996 Gismondi D26/85
- D412,040 S * 7/1999 Hudak et al. D26/87
- 6,641,283 B1 11/2003 Bohler
- D484,270 S 12/2003 Yiu
- D485,390 S * 1/2004 Stancik et al. D26/104

- D509,016 S * 8/2005 Benghozi D26/74
- D509,617 S * 9/2005 Benghozi D26/89
- 6,979,107 B1 12/2005 Benensohn
- D544,117 S * 6/2007 Coushaine D26/37
- D544,618 S * 6/2007 Coushaine D26/37
- D544,988 S * 6/2007 Benensohn D26/89
- D551,795 S * 9/2007 Compton et al. D26/89
- 2006/0250789 A1 * 11/2006 Coushaine 362/157

* cited by examiner

Primary Examiner—Clare E Heflin

Assistant Examiner—Barbara Fox

(74) *Attorney, Agent, or Firm*—Theodore W. Baker

(57) **CLAIM**

I claim the ornamental design for a lighting device, as shown
and described.

DESCRIPTION

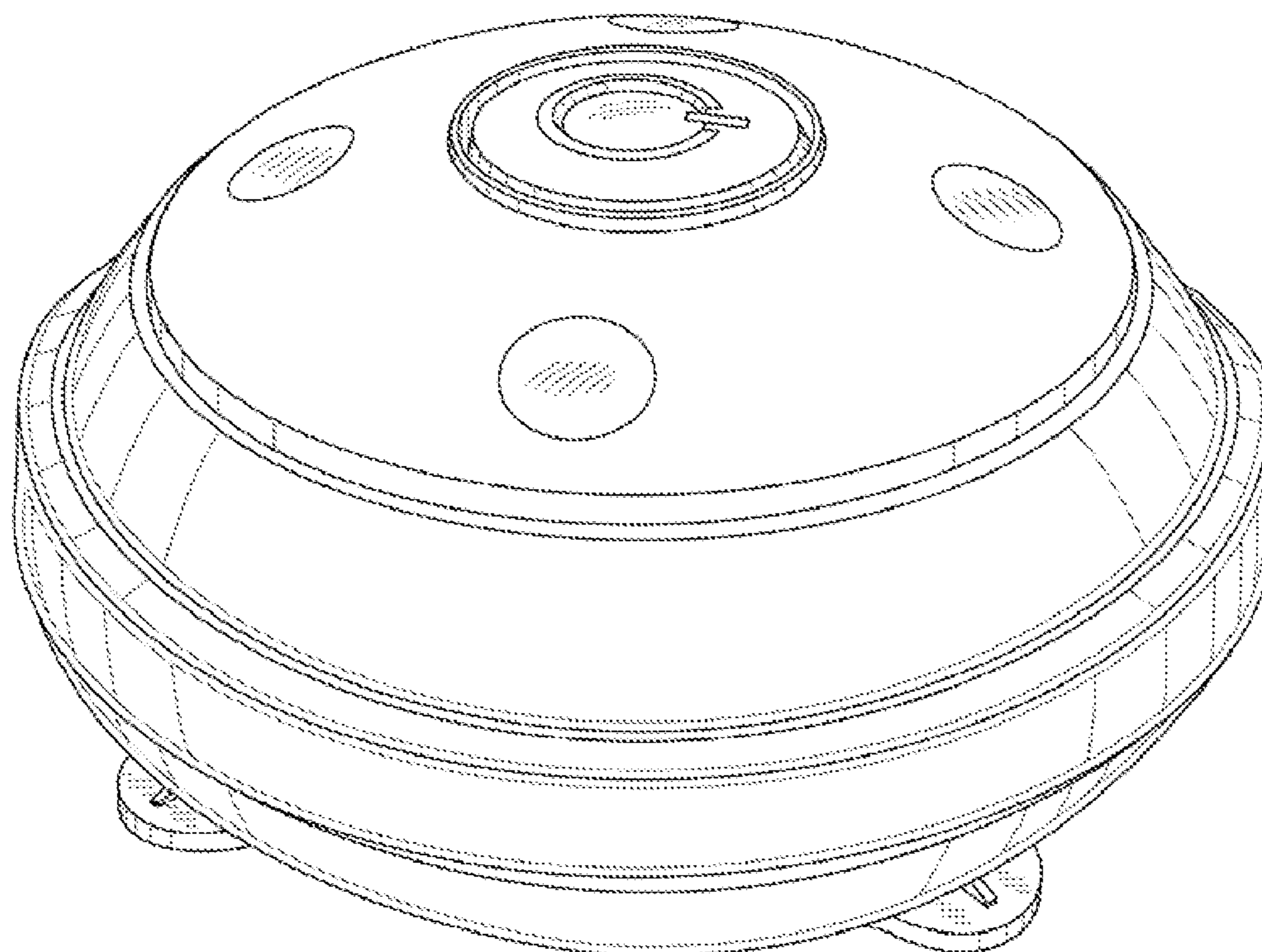
FIG. 1 is a perspective view of a lighting device, as viewed
from the top and one side thereof.

FIG. 2 is a side elevation view of the lighting device of FIG.
1, the other side being a mirror image thereof.

FIG. 3 is a top plan view of the lighting device of FIG. 1;
and,

FIG. 4 is a bottom plan view of the lighting device of FIG.
1.

1 Claim, 3 Drawing Sheets



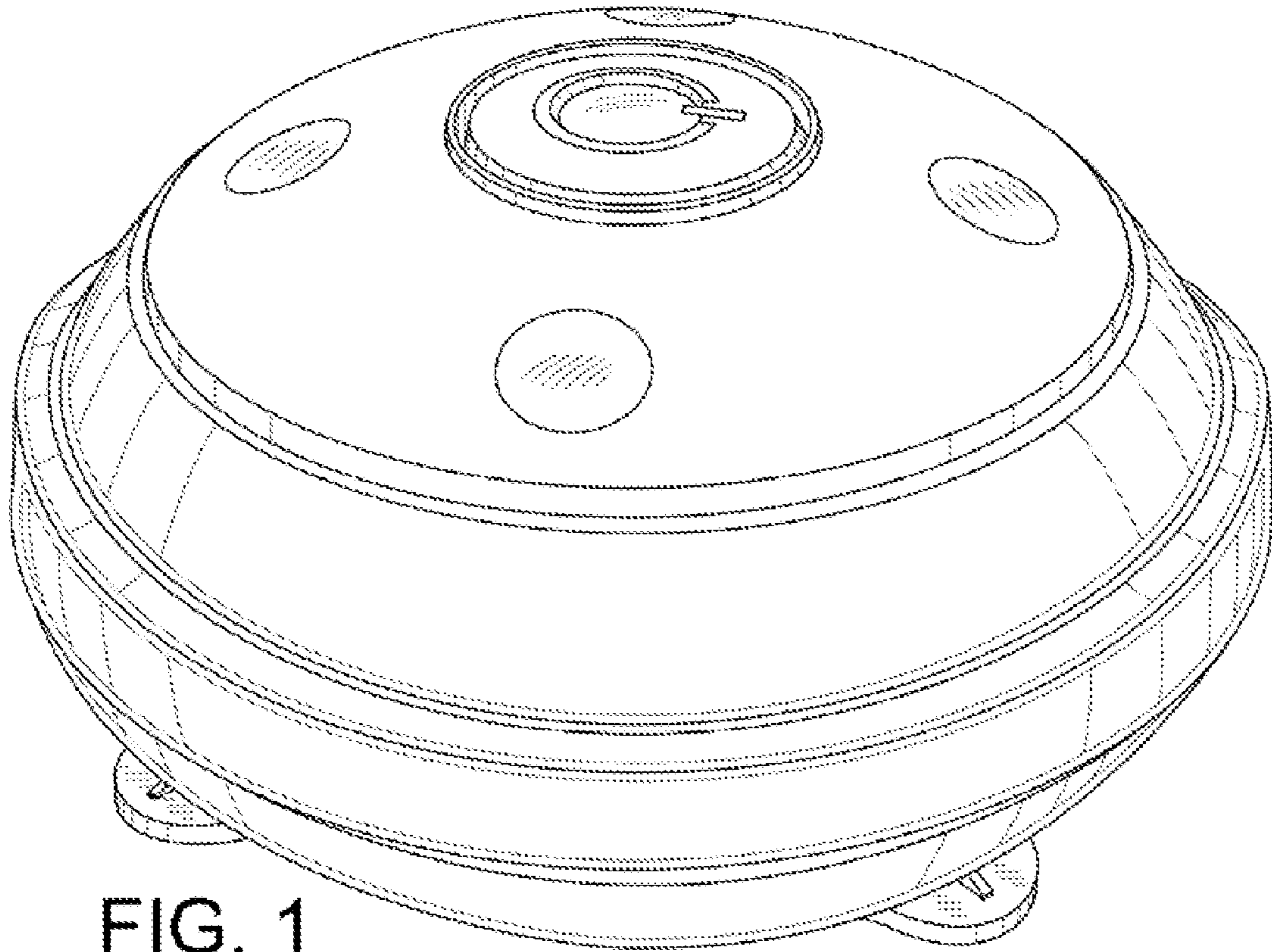


FIG. 1

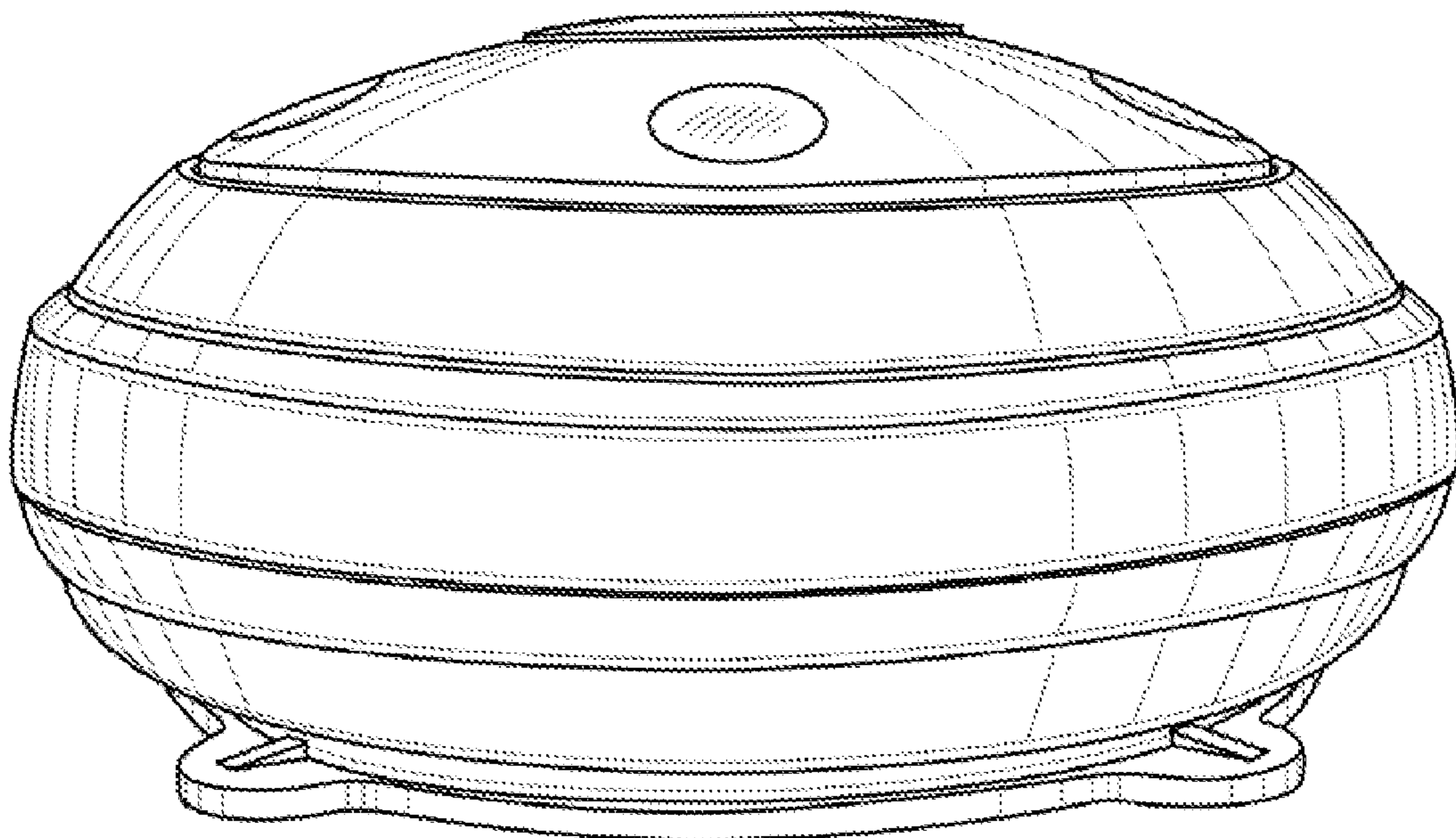


FIG. 2

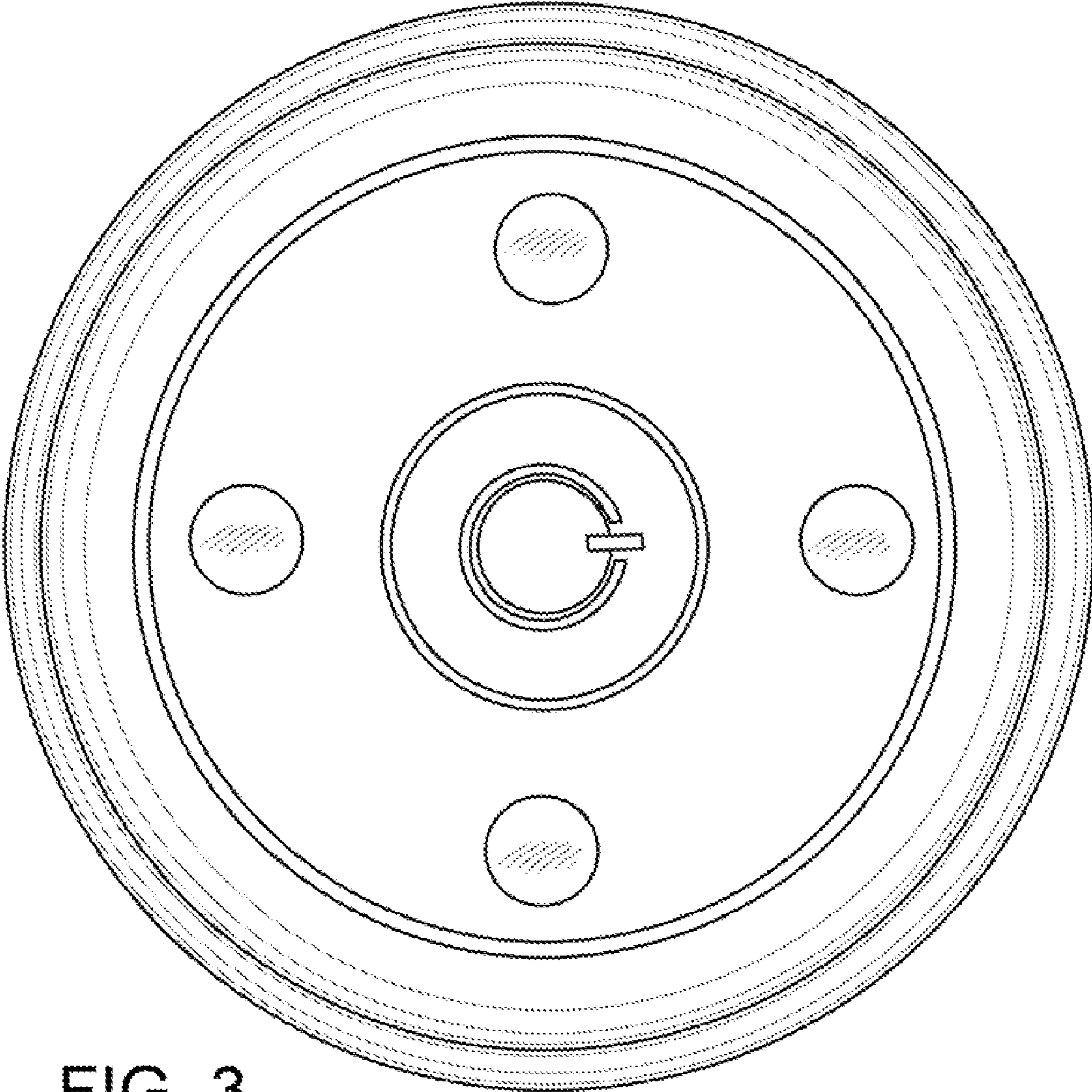


FIG. 3

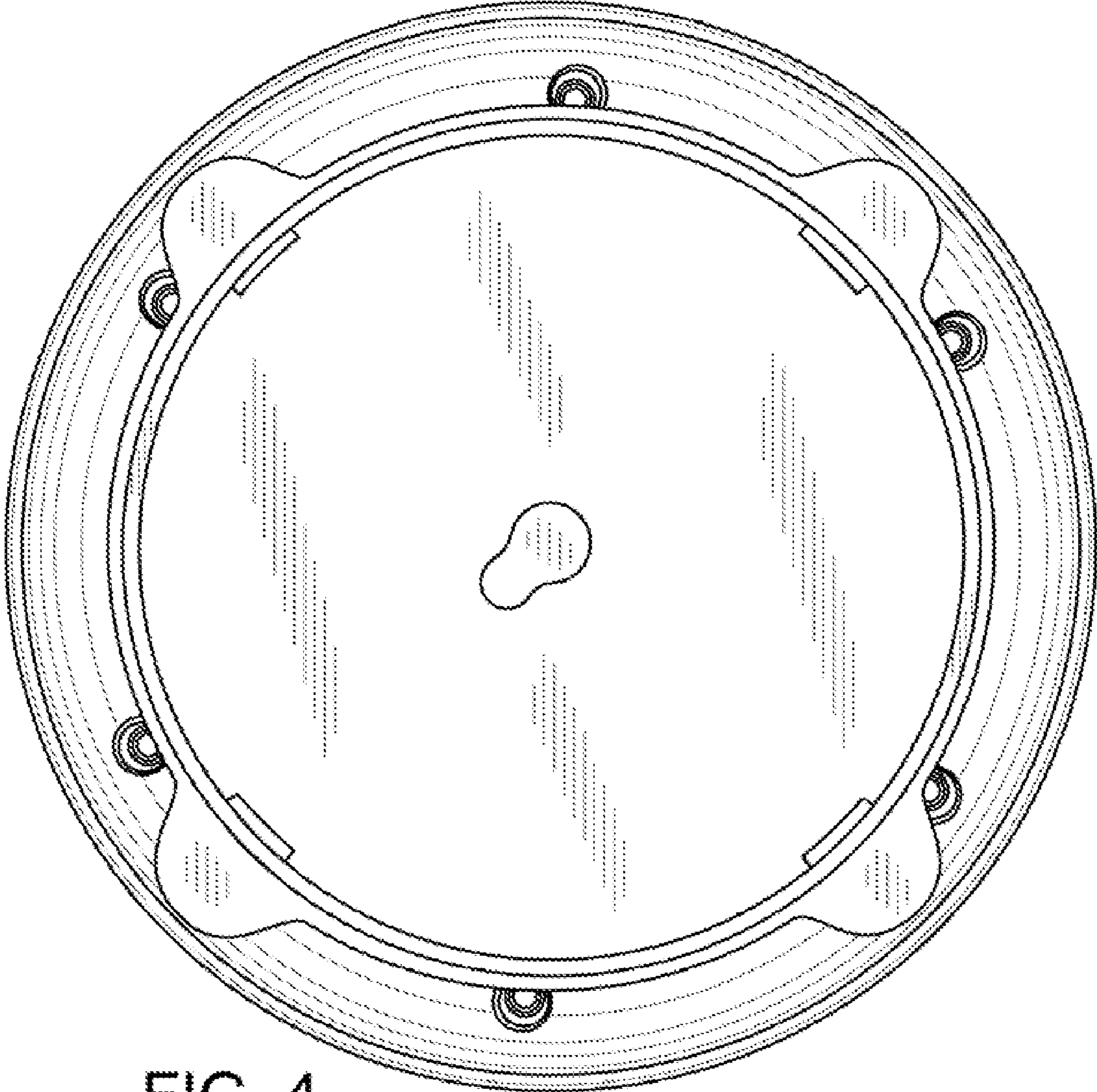


FIG. 4