

US00D561921S

(12) **United States Design Patent**
Aleksjew

(10) **Patent No.:** **US D561,921 S**

(45) **Date of Patent:** **** Feb. 12, 2008**

(54) **PORTABLE LAMP**

D553,274 S * 10/2007 Hill et al. D26/37

(75) Inventor: **Miro Aleksjew**, Starnberg (DE)

* cited by examiner

(73) Assignee: **Patent-Treuhand - Gesellschaft fur elektrische Gluhlampen mbH**, Munich (DE)

Primary Examiner—Marcus A. Jackson
(74) *Attorney, Agent, or Firm*—William E. Meyer

(**) Term: **14 Years**

(57) **CLAIM**

(21) Appl. No.: **29/274,522**

The ornamental design for a portable lamp, as shown and described.

(22) Filed: **Apr. 30, 2007**

(30) **Foreign Application Priority Data**

DESCRIPTION

Nov. 2, 2006 (DE) 4 06 05 694

FIG. 1 is a perspective top-side view of a portable lamp

(51) **LOC (8) Cl.** **26-02**

FIG. 2 is a top view of the portable lamp

(52) **U.S. Cl.** **D26/37**

FIG. 3 is a front view of the portable lamp

(58) **Field of Classification Search** D26/37-50;
362/157, 158, 171-174, 183-208

FIG. 4 is a back view of the portable lamp

See application file for complete search history.

FIG. 5 is a left side view of the portable lamp; and,

FIG. 6 is a right side view of the portable lamp.

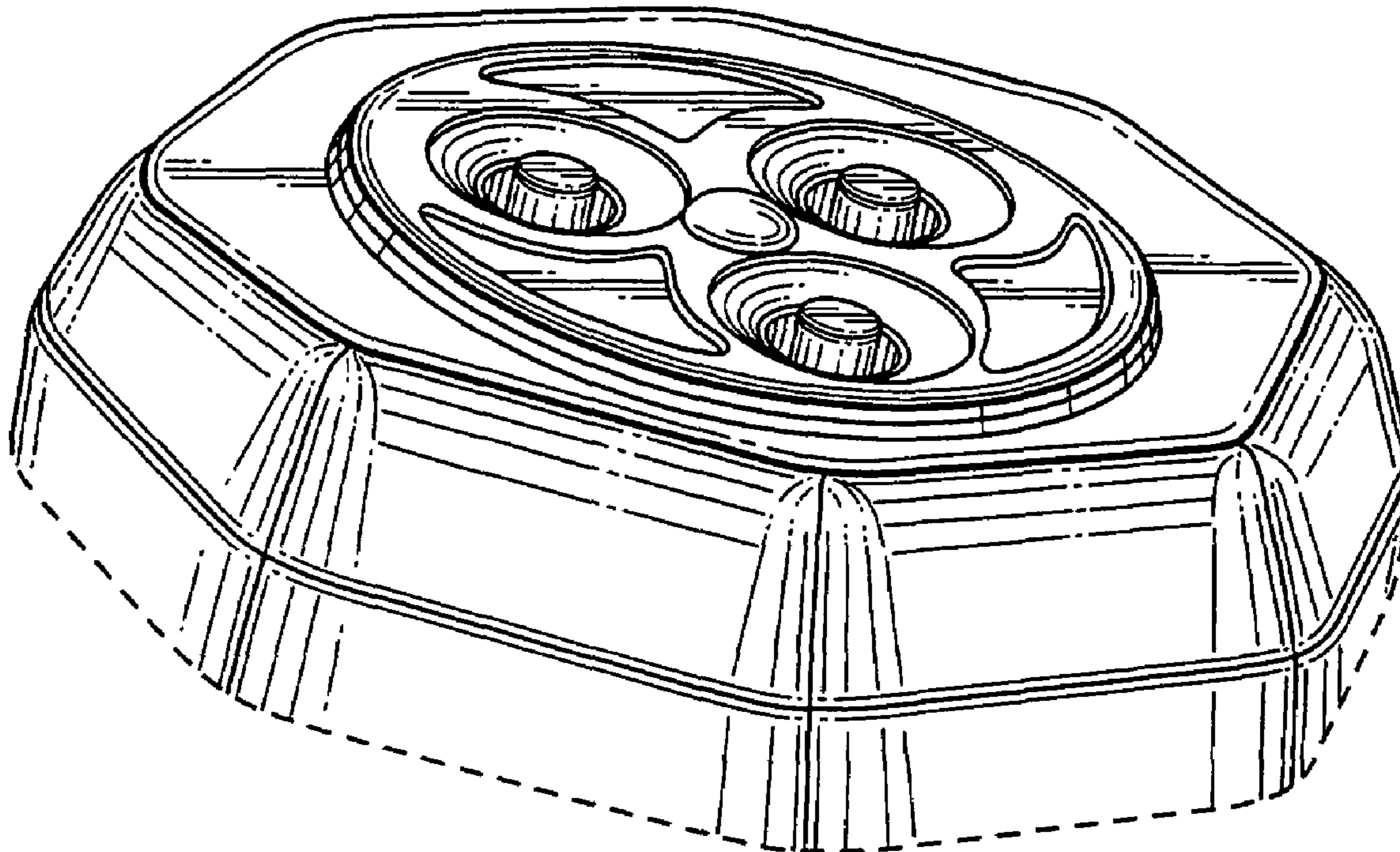
(56) **References Cited**

The dashed line shows an indefinite border. The back of the article forms no part of the claimed design.

U.S. PATENT DOCUMENTS

D545,486 S * 6/2007 Bynum et al. D26/120

1 Claim, 3 Drawing Sheets



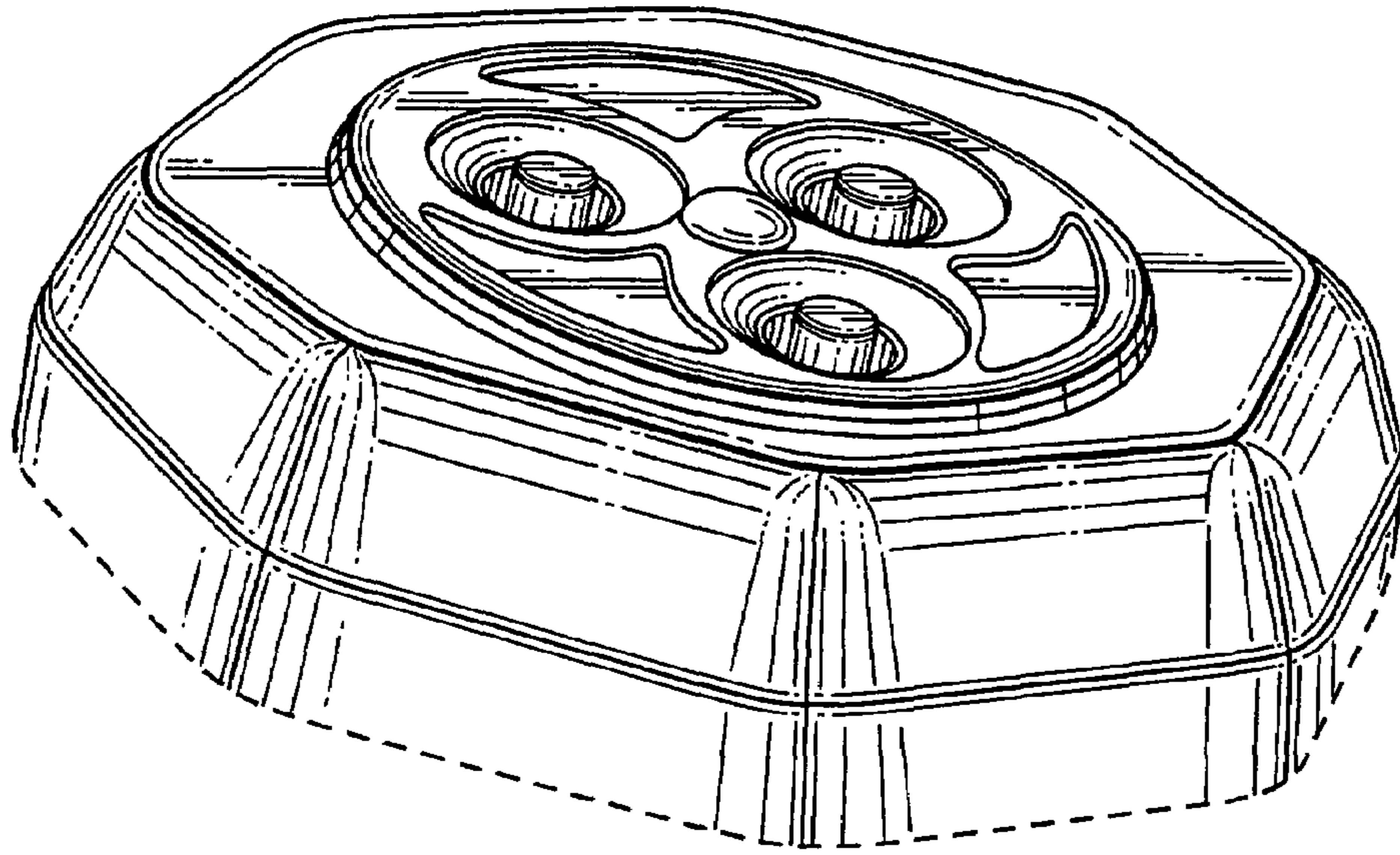


FIG. 1

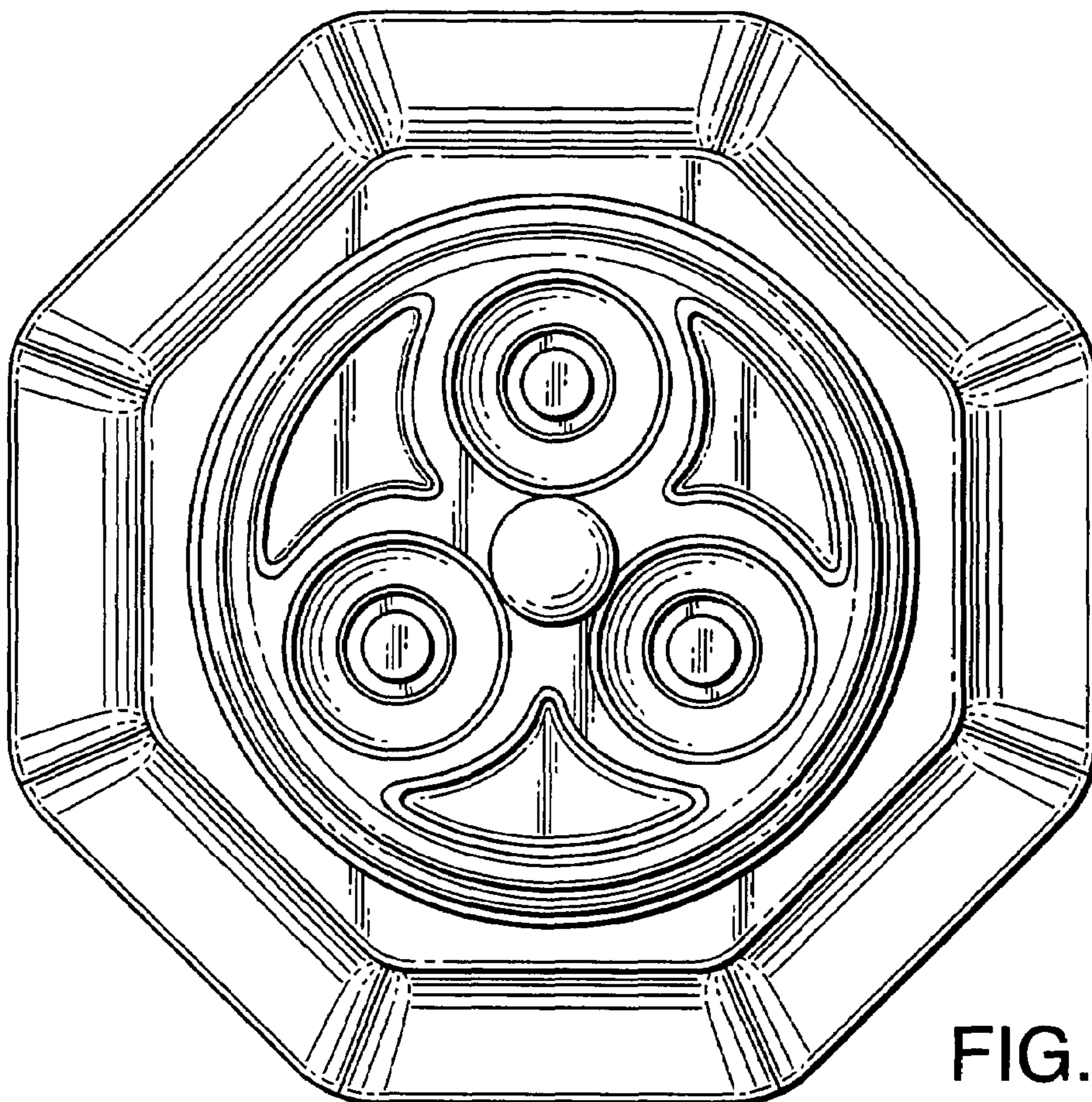


FIG. 2

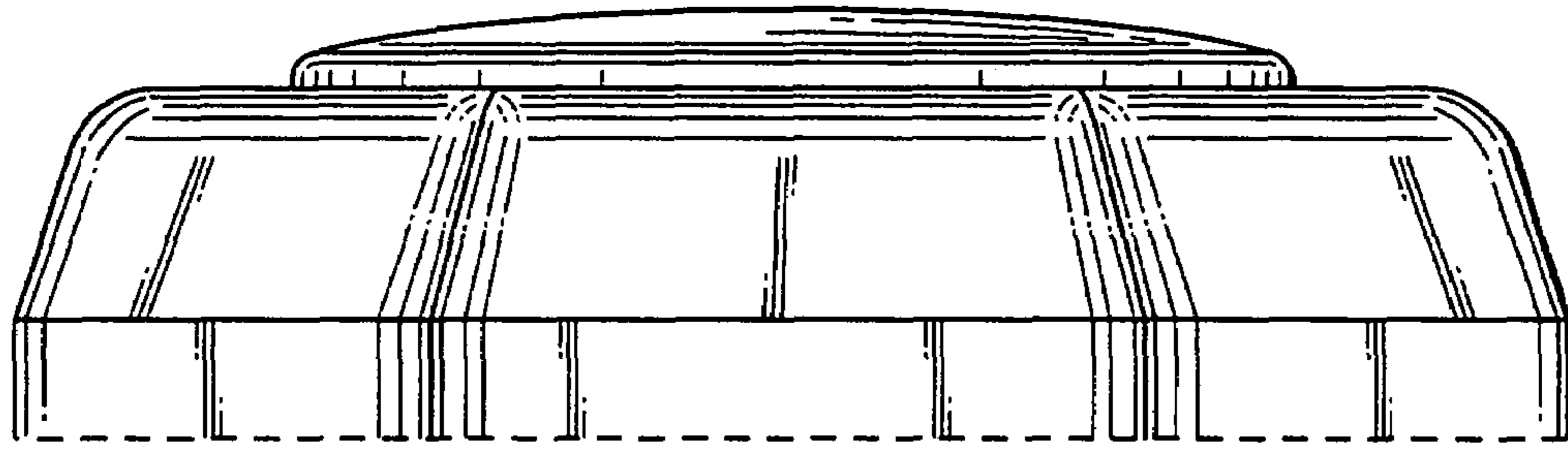


FIG. 3

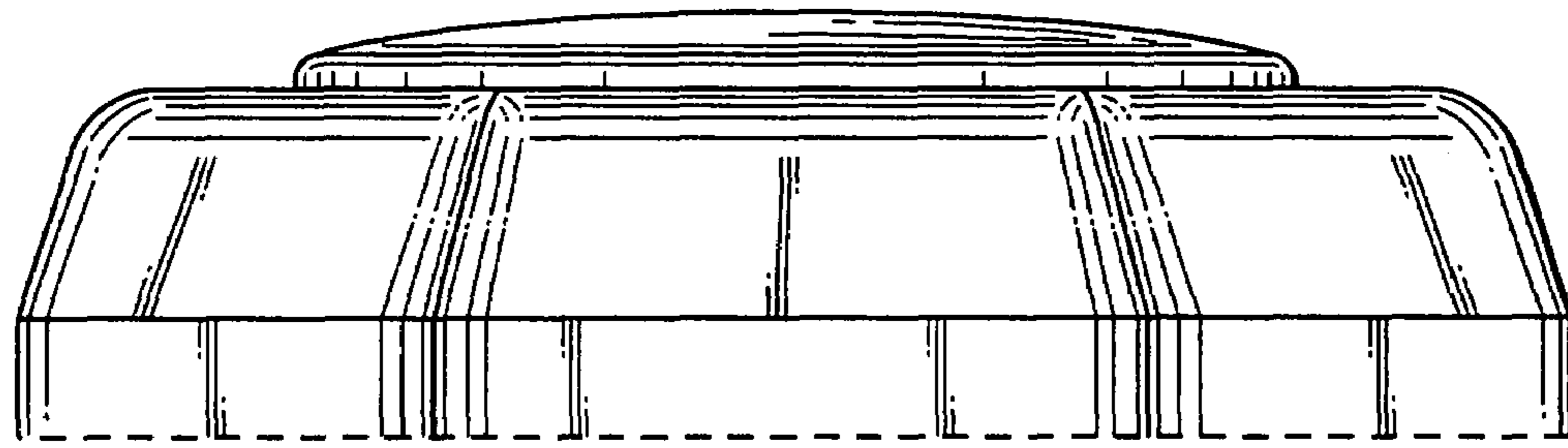


FIG. 4

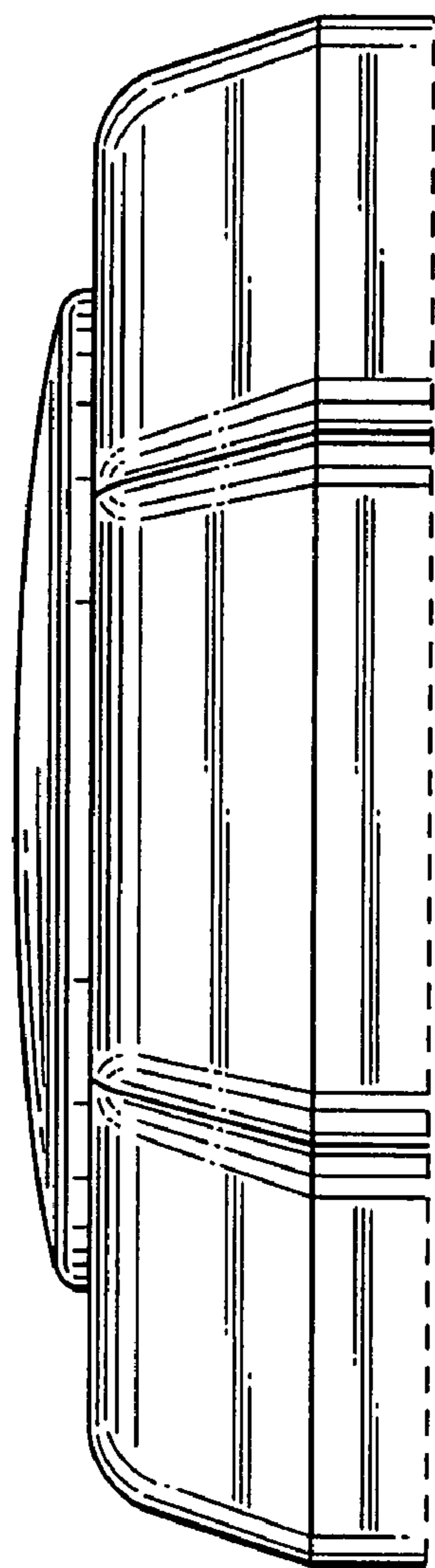


FIG. 5

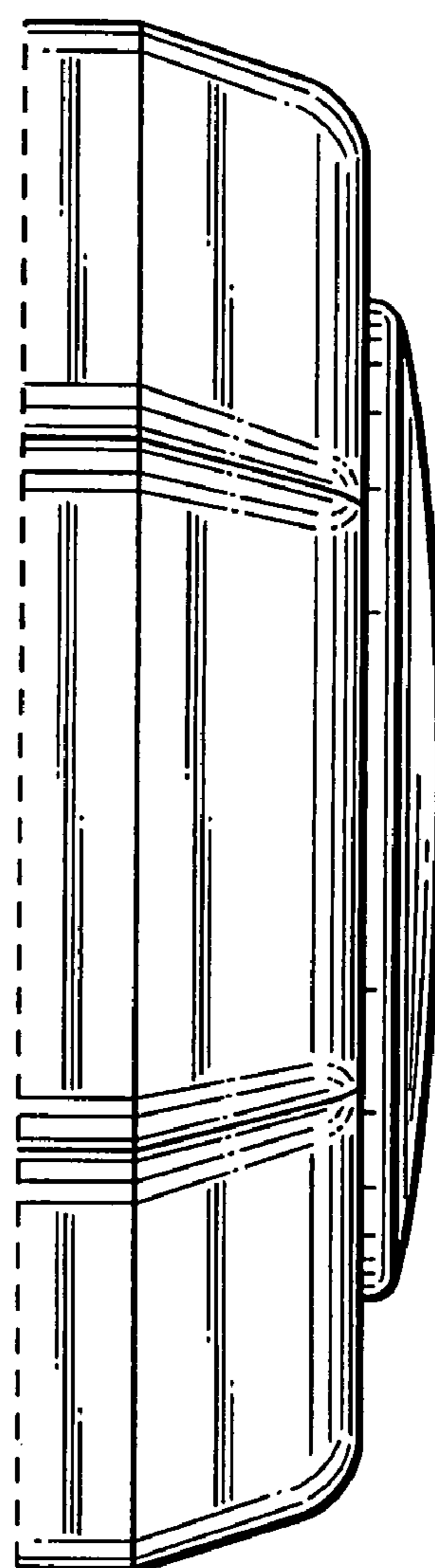


FIG. 6