

US00D561917S

(12) **United States Design Patent**  
**Tsao**

(10) **Patent No.:** **US D561,917 S**

(45) **Date of Patent:** **\*\* Feb. 12, 2008**

(54) **FLOOD LIGHT**

(75) Inventor: **Chia-Tsung Tsao**, Taipei (TW)

(73) Assignee: **Artled Technology Corp.**, Shulin,  
Taipei Hsien (TW)

(\*\*) Term: **14 Years**

(21) Appl. No.: **29/287,122**

(22) Filed: **Jun. 29, 2007**

(51) **LOC (8) Cl.** ..... **26-04**

(52) **U.S. Cl.** ..... **D26/2**

(58) **Field of Classification Search** ..... D26/1-4;  
313/313, 315, 316, 317, 318, 493; 315/52,  
315/53, 56, 57, 58

See application file for complete search history.

(56) **References Cited**

**U.S. PATENT DOCUMENTS**

D532,532 S	*	11/2006	Maxik	.....	D26/2
D544,110 S	*	6/2007	Hooker et al.	.....	D26/2
D547,886 S	*	7/2007	Foo	.....	D26/2

\* cited by examiner

*Primary Examiner*—Marcus A. Jackson

(74) *Attorney, Agent, or Firm*—Posz Law Group, PLC; R. Eugene Varndell, Jr.

(57) **CLAIM**

The ornamental design for a flood light, as shown and described.

**DESCRIPTION**

FIG. 1 is a perspective view of a flood light showing my new design;

FIG. 2 is a front view thereof, wherein the rear view is a mirror image of the front view and is omitted;

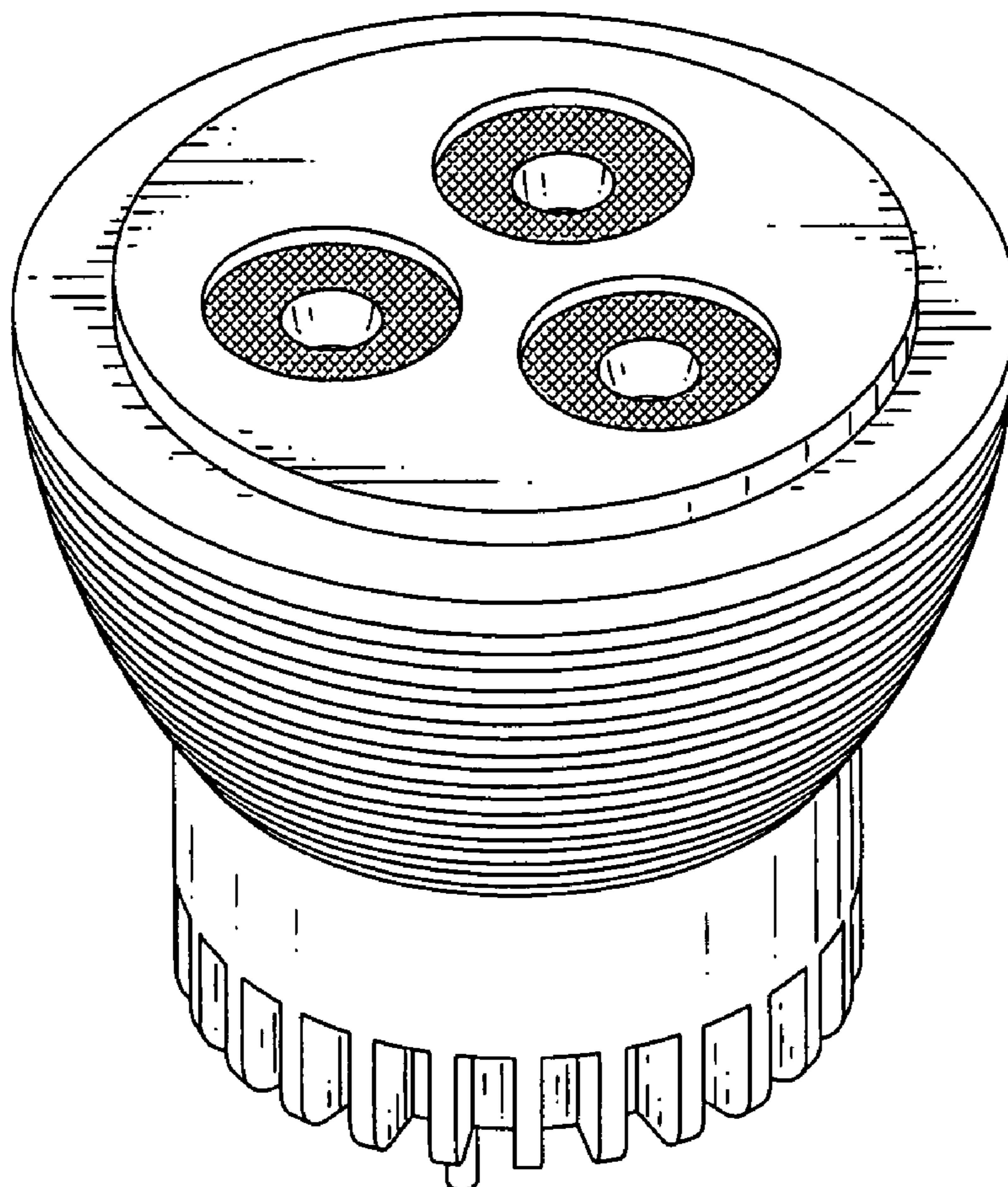
FIG. 3 is a left view thereof;

FIG. 4 is a right view thereof;

FIG. 5 is a top view thereof; and,

FIG. 6 is a bottom view thereof.

**1 Claim, 4 Drawing Sheets**



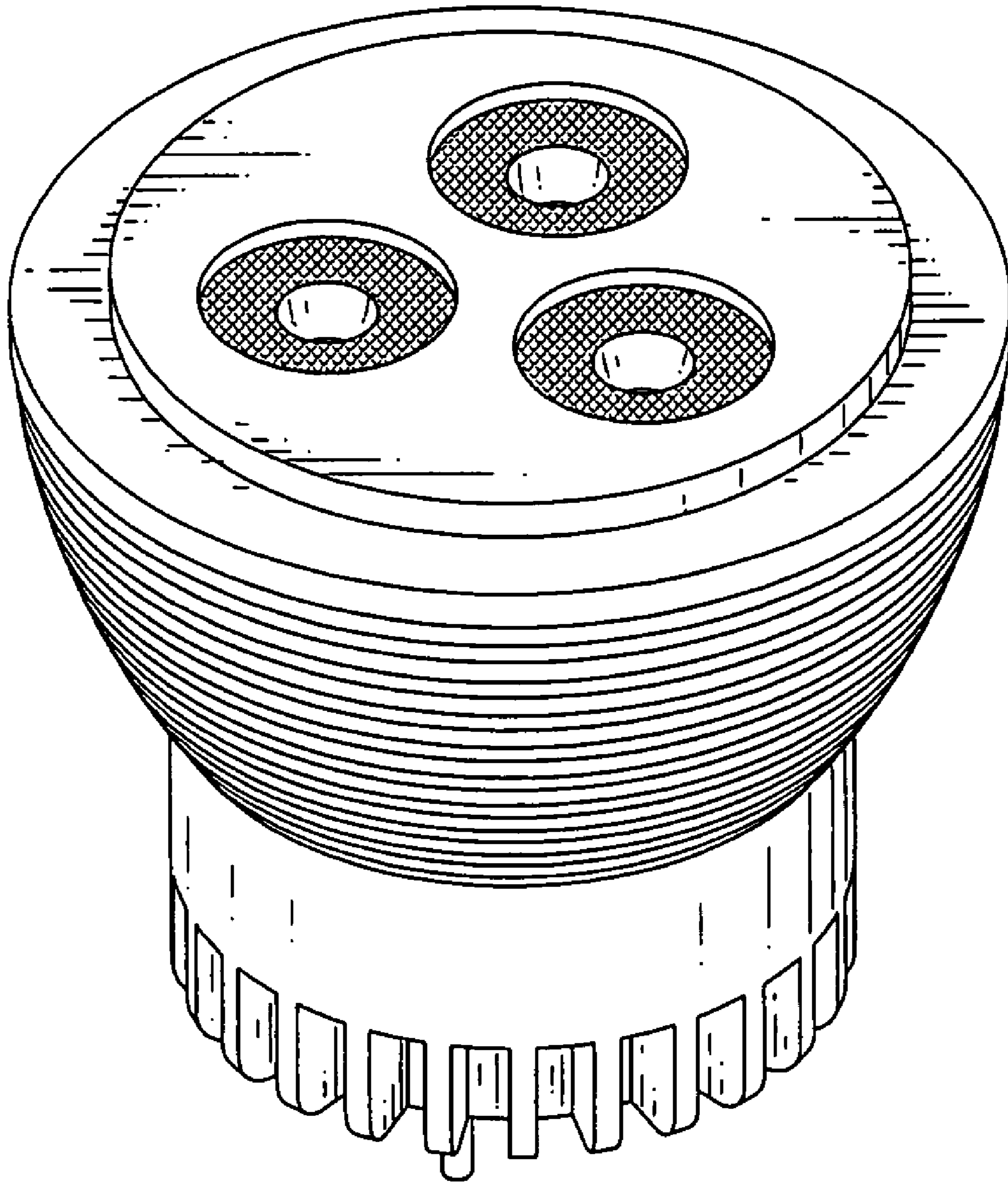


FIG. 1

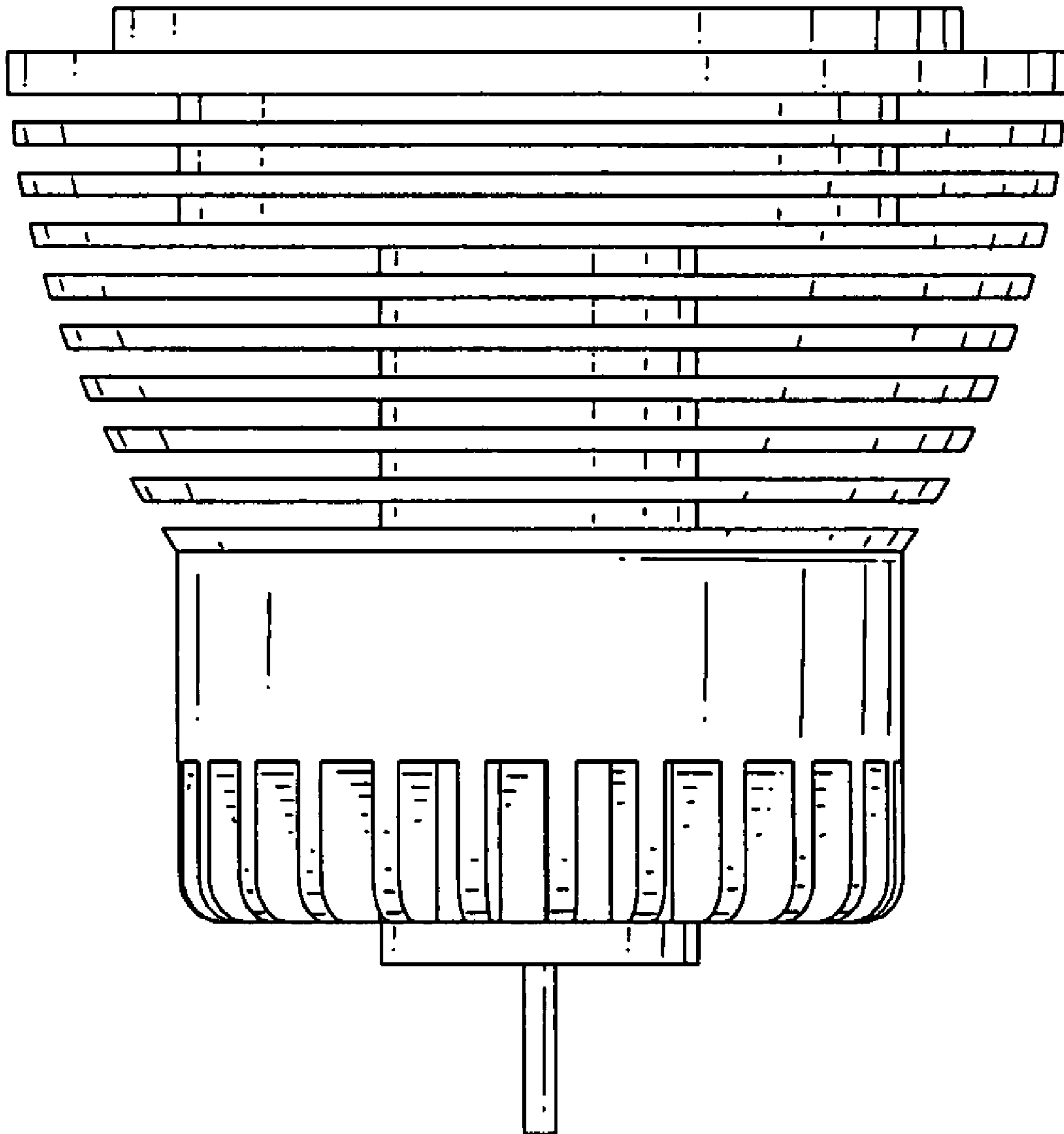


FIG.2

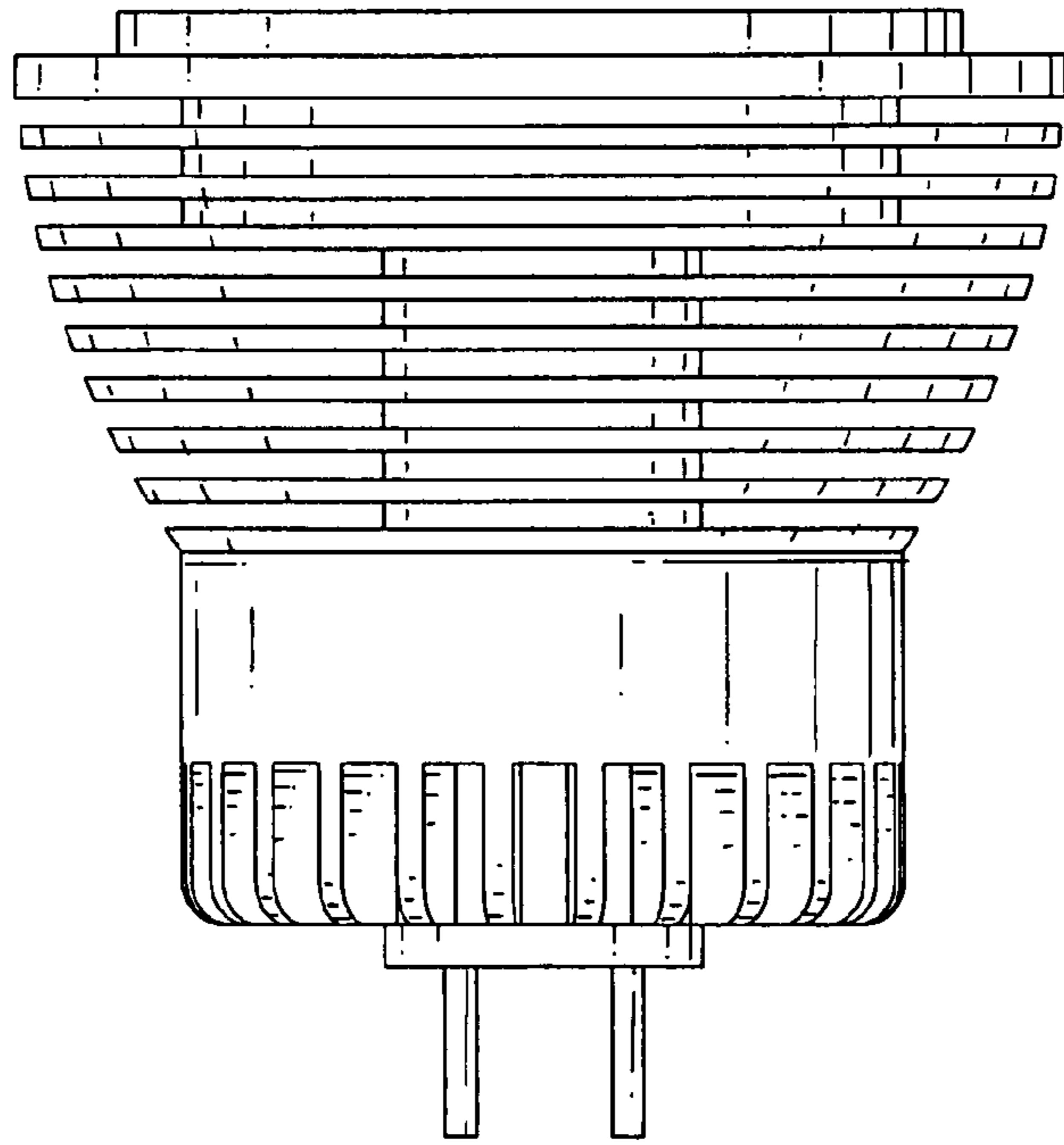


FIG.3

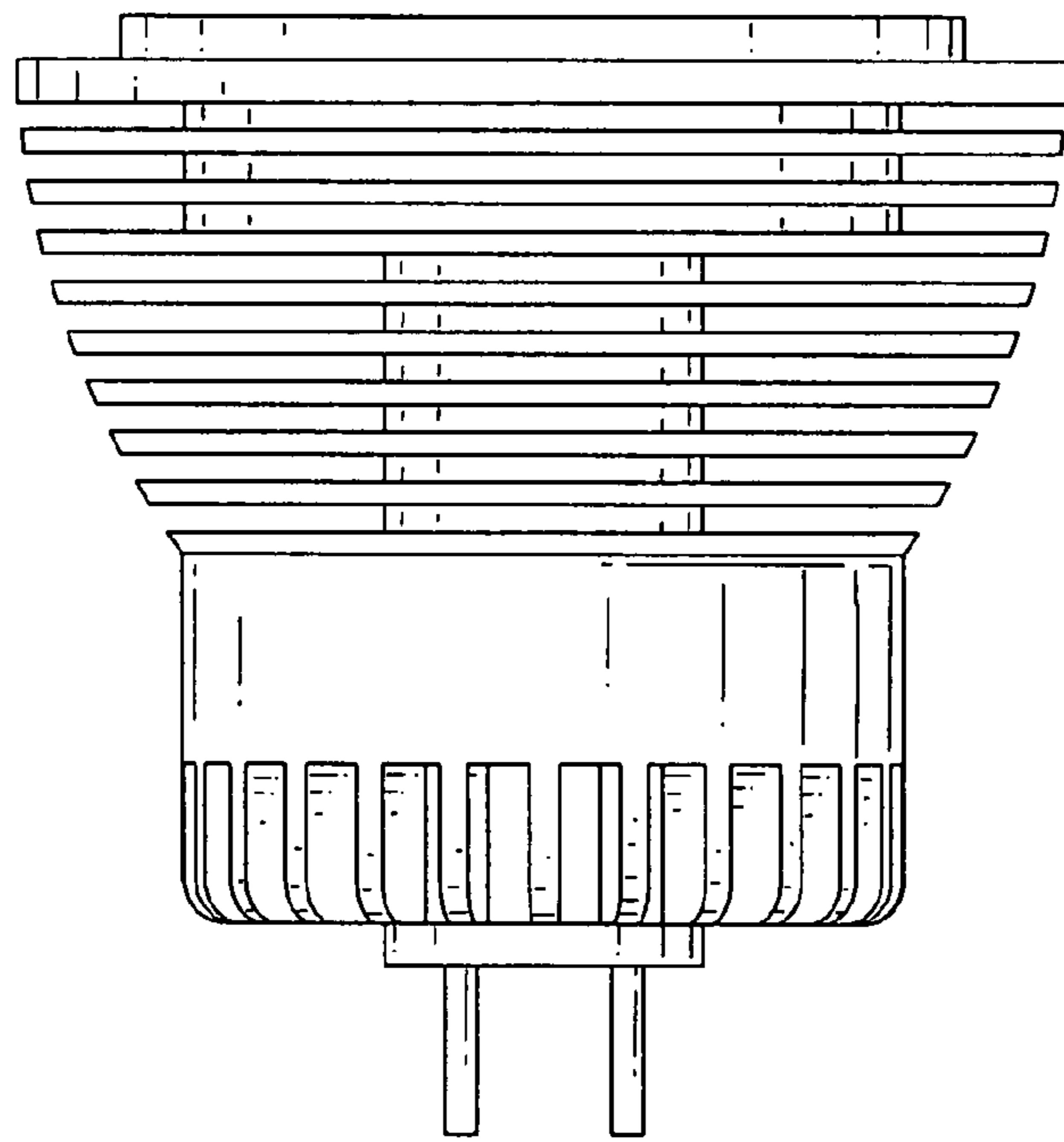


FIG.4



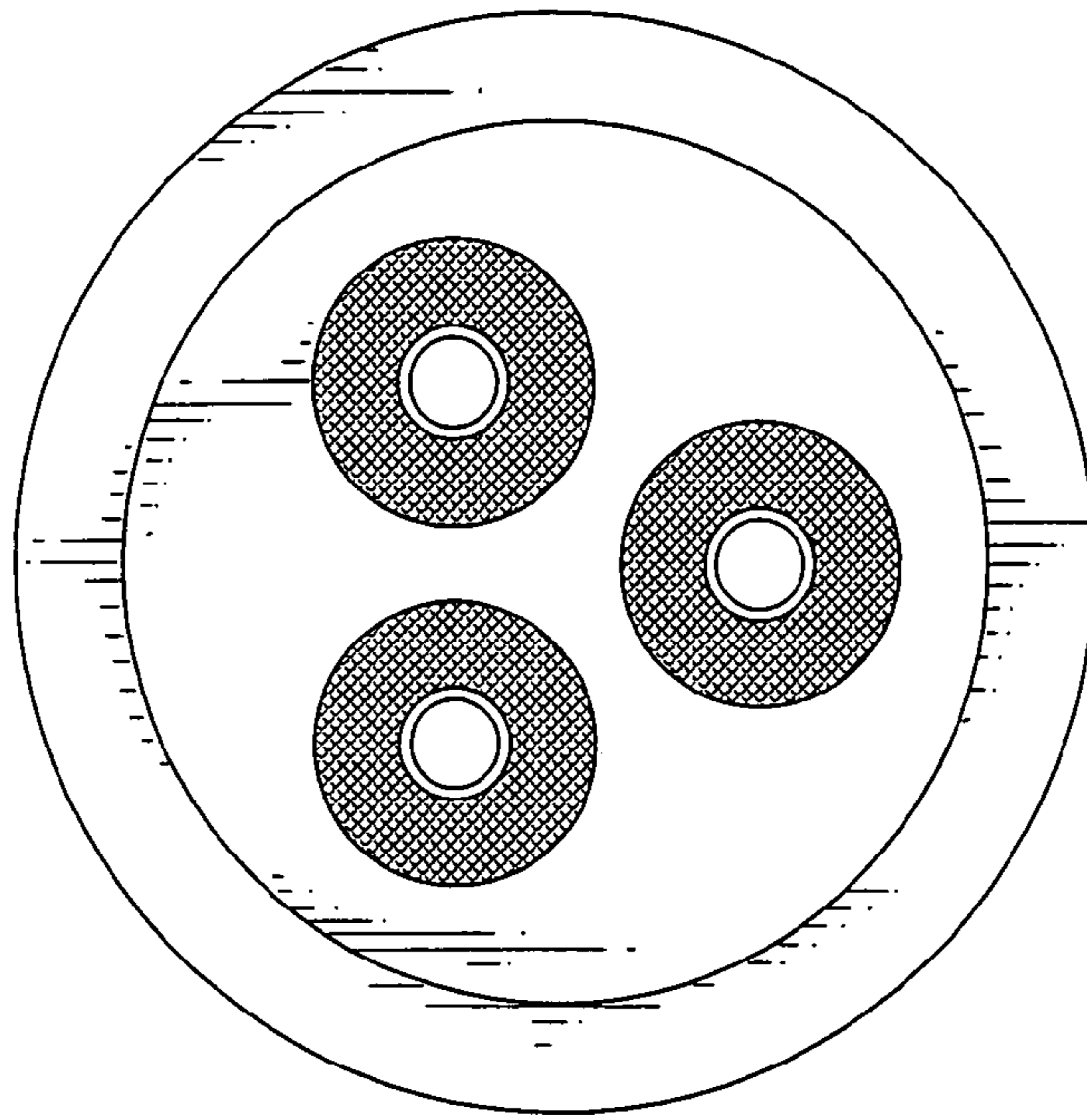


FIG.5

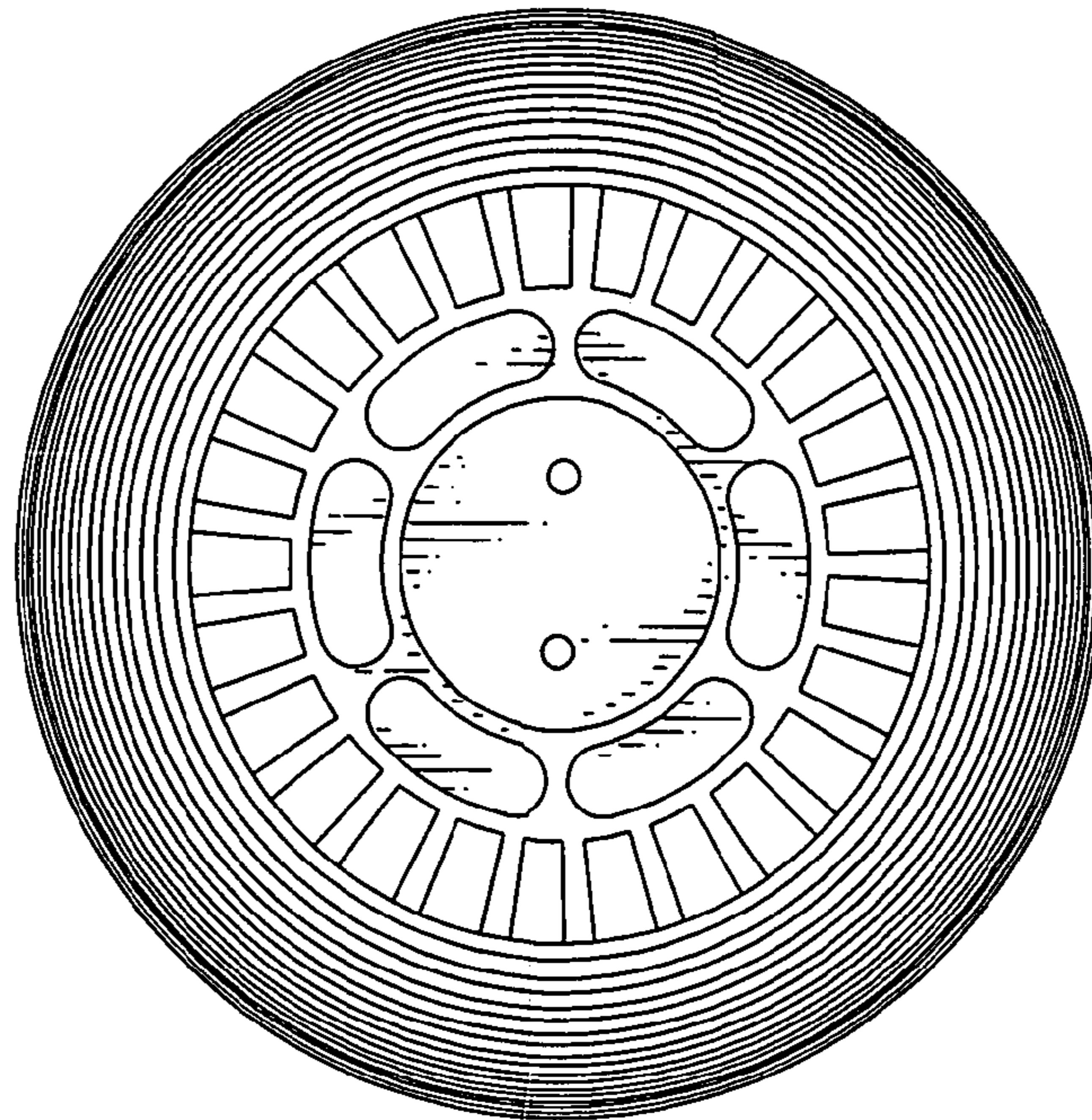


FIG.6