



US00D561909S

(12) **United States Design Patent**
Maguire et al.

(10) **Patent No.:** **US D561,909 S**

(45) **Date of Patent:** **** Feb. 12, 2008**

(54) **SWIMMING POOL SEATING**

(75) Inventors: **John Maguire**, Wilsonville, OR (US);
Selena Bekakis, Portland, OR (US)

(73) Assignee: **S. R. Smith LLC**, Canby, OR (US)

(**) Term: **14 Years**

(21) Appl. No.: **29/248,044**

(22) Filed: **Jul. 26, 2006**

(51) **LOC (8) Cl.** **25-03**

(52) **U.S. Cl.** **D25/2**

(58) **Field of Classification Search** D25/1,
D25/2; D6/381; 4/496, 488, 506
See application file for complete search history.

(56) **References Cited**

U.S. PATENT DOCUMENTS

D67,896 S *	7/1925	Larsen	D6/357
3,146,043 A *	8/1964	Johnson et al.	312/97.1
3,572,824 A *	3/1971	Schupbach et al.	297/158.5
D235,908 S *	7/1975	Rosenwach	D11/144
D266,211 S *	9/1982	Thom et al.	D6/337
4,837,869 A *	6/1989	Simmon	4/496
D309,682 S *	8/1990	Fisher	D6/381
D315,254 S *	3/1991	Walters	D6/337
5,027,718 A *	7/1991	Graham, Sr.	108/64

5,228,148 A *	7/1993	Weir	4/496
D469,968 S *	2/2003	Van Den Reek	D6/370
7,131,699 B2 *	11/2006	Mulmed	297/440.14

* cited by examiner

Primary Examiner—Stella M Reid

Assistant Examiner—Kathleen Sims

(74) *Attorney, Agent, or Firm*—James H. Walters

(57) **CLAIM**

We claim the ornamental design for swimming pool seating, as shown and described.

DESCRIPTION

FIG. 1 is a perspective view of the swimming pool seating showing our new design;

FIG. 2 is a front view, the rear view being a mirror image thereof;

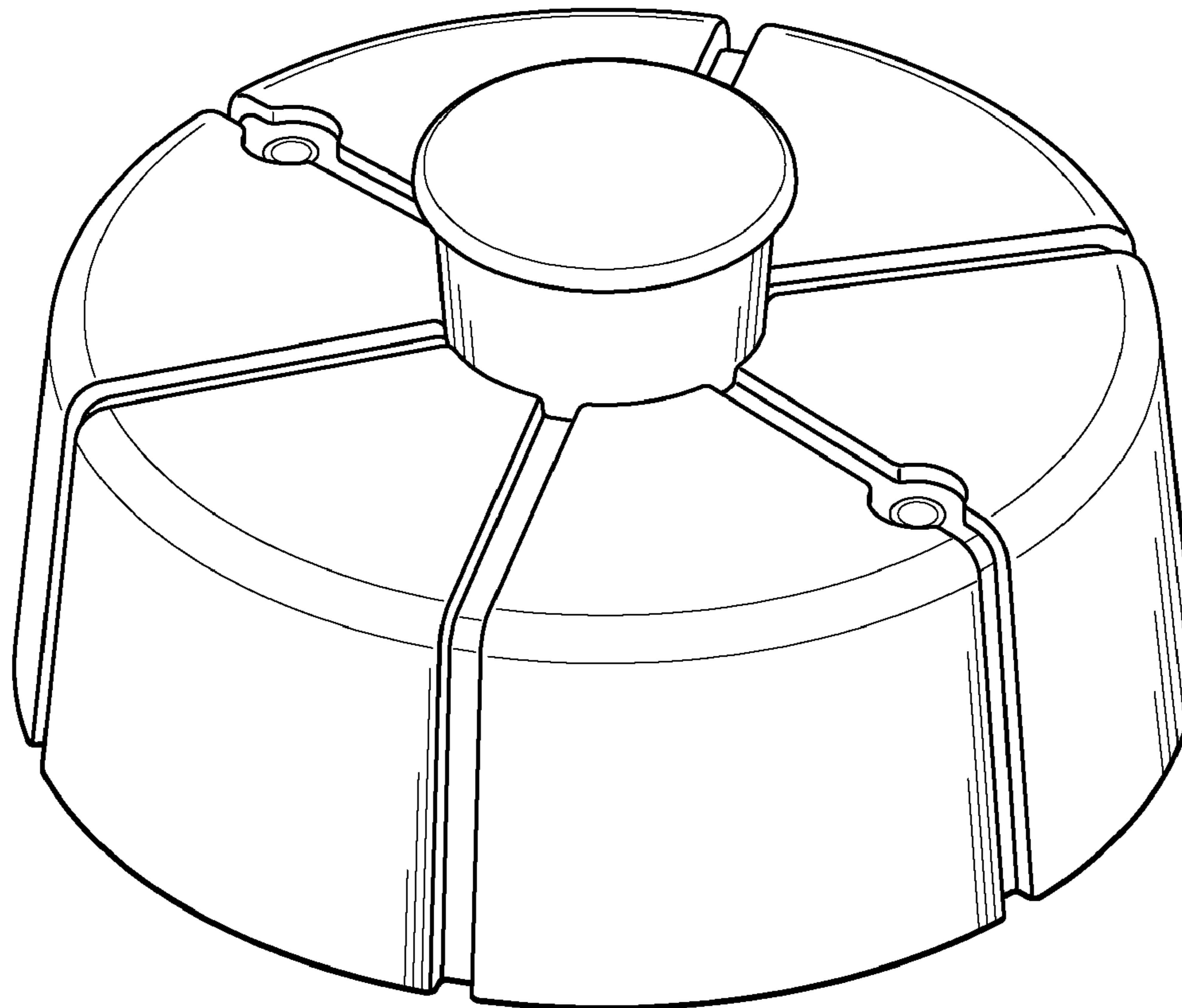
FIG. 3 is a right side view, the left side view being a mirror image thereof;

FIG. 4 is a top view thereof; and,

FIG. 5 is a bottom view thereof.

The broken line showing of the bottom details is included for illustrating portions of the swimming pool seating and forms no part of the claimed design.

1 Claim, 4 Drawing Sheets



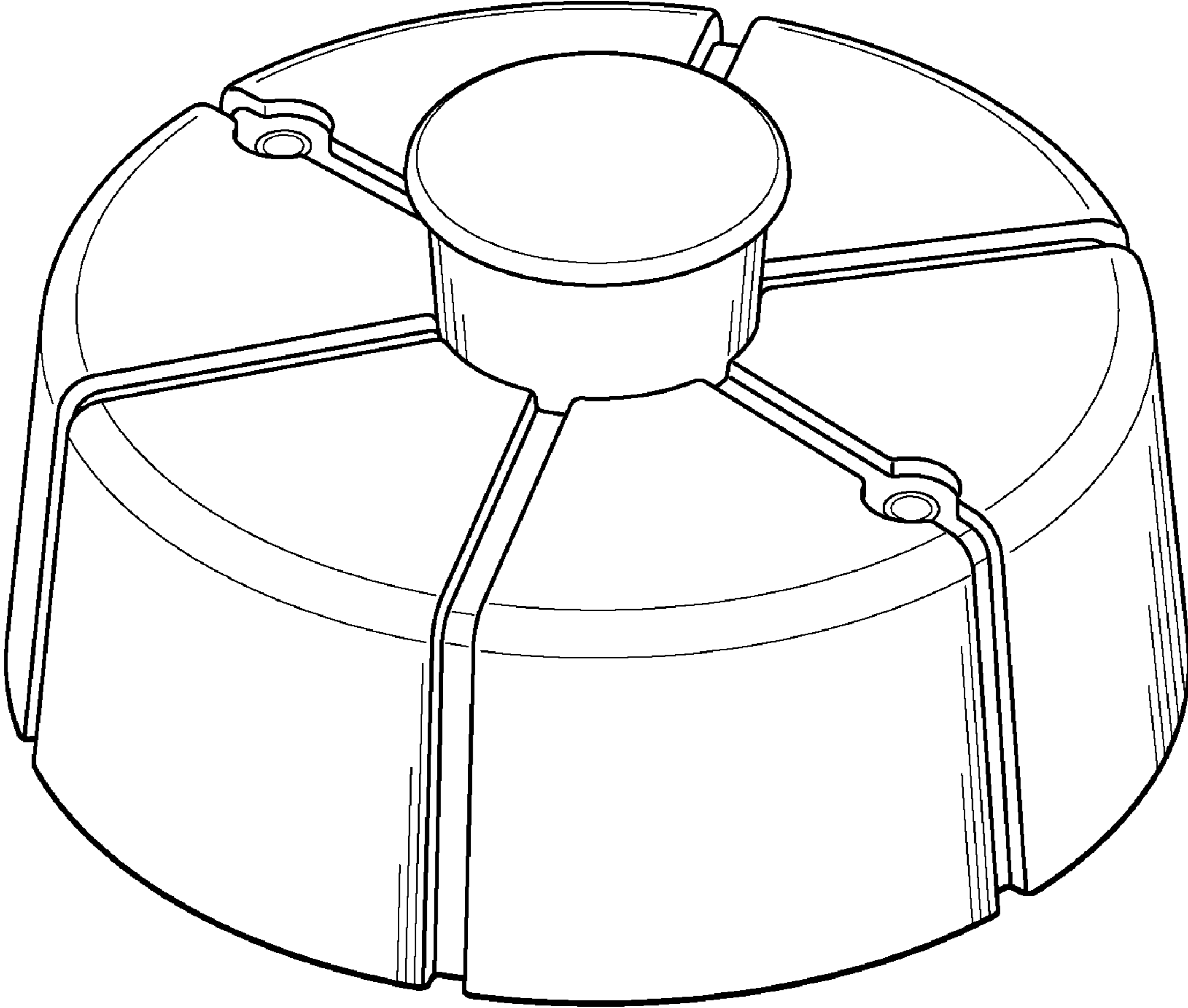


FIG.1

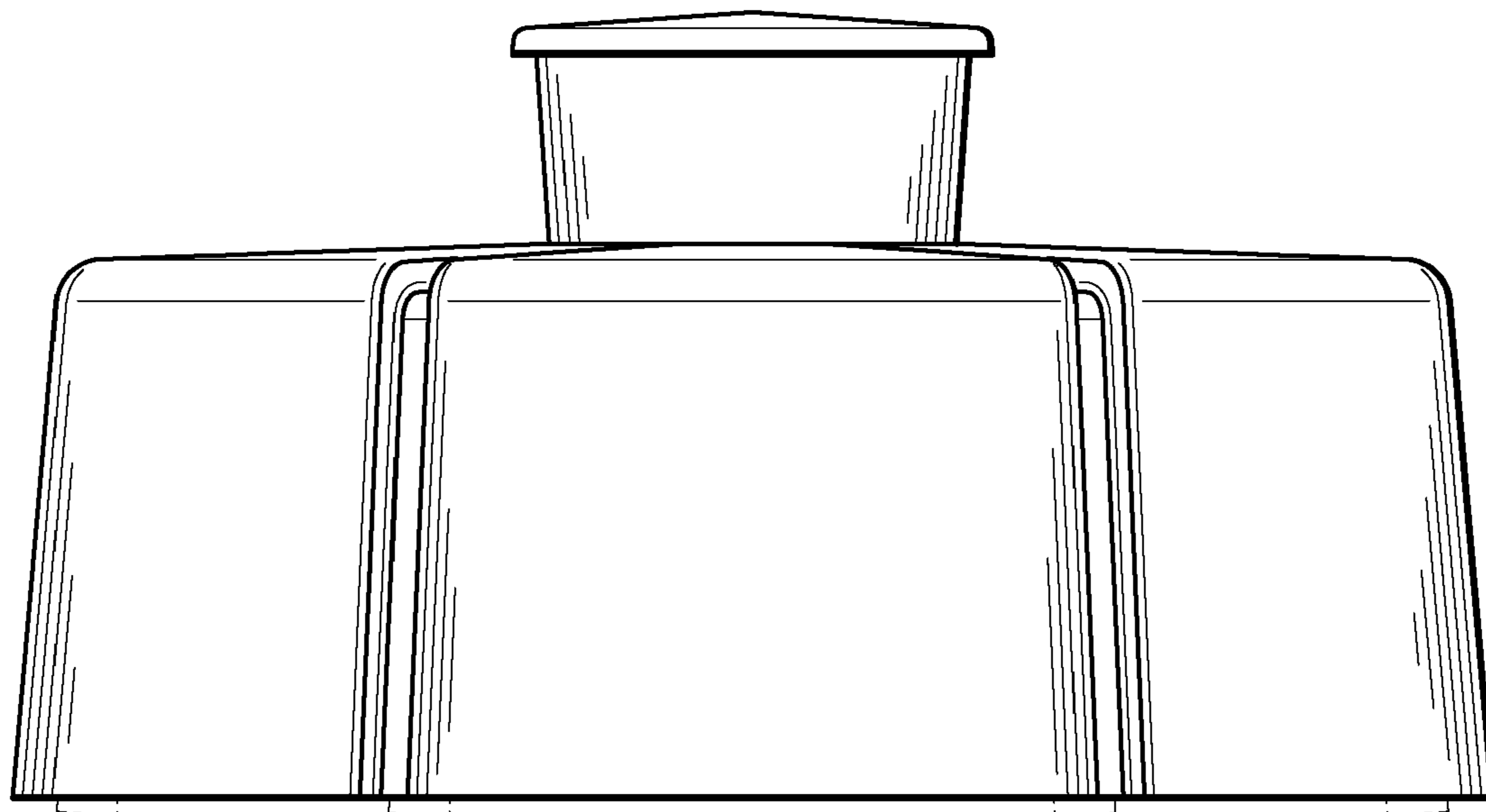


FIG. 2

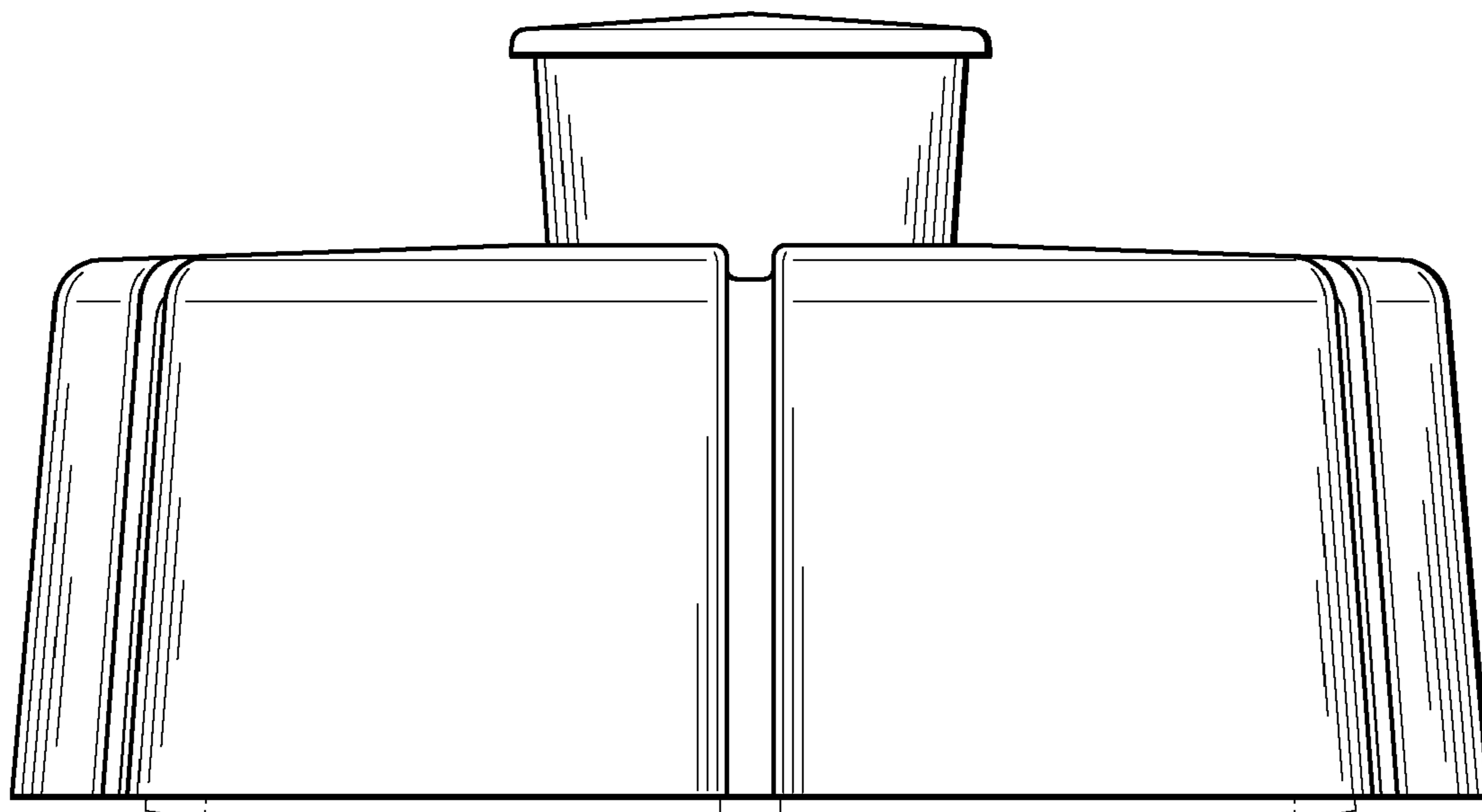


FIG. 3

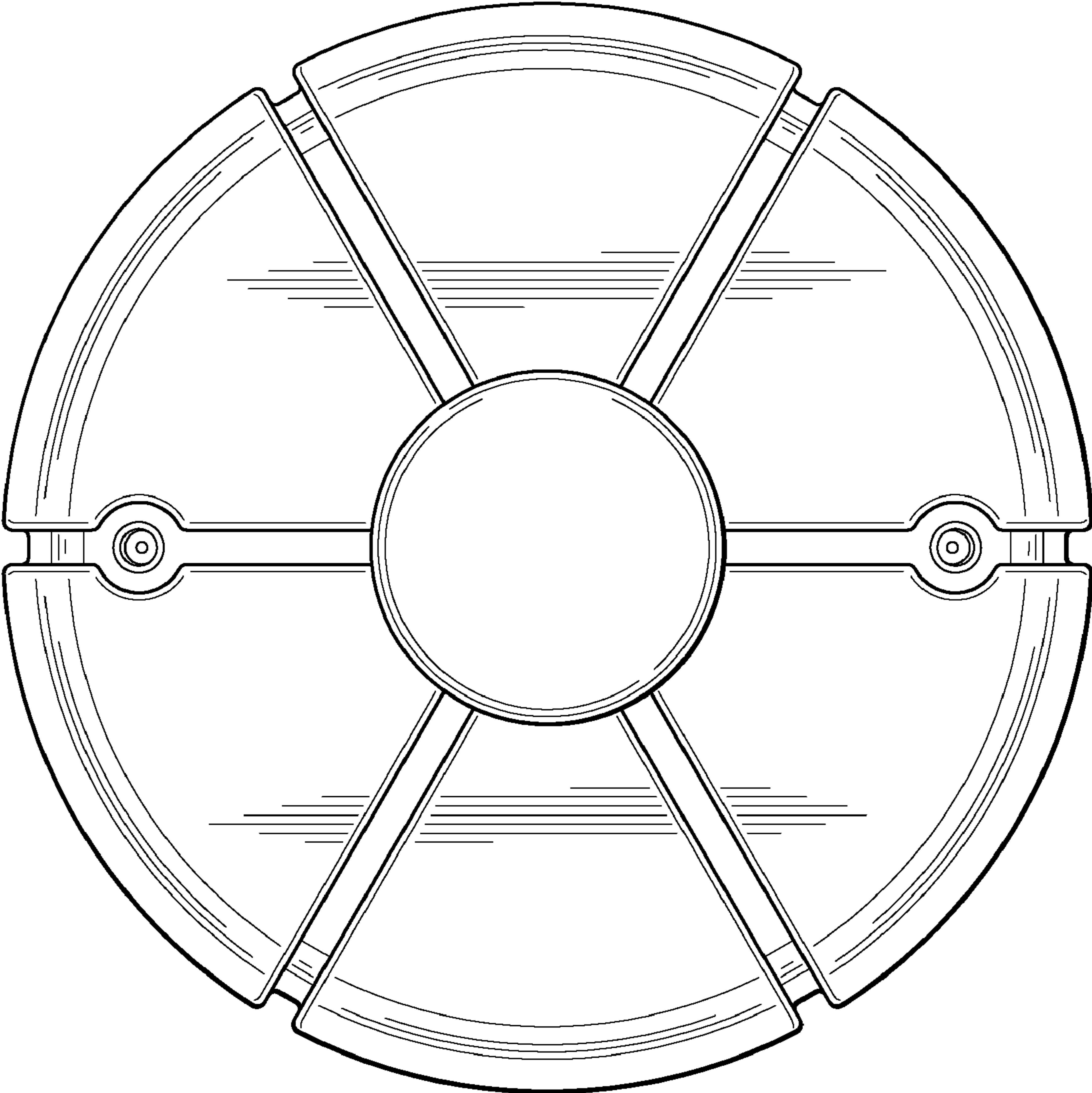


FIG. 4

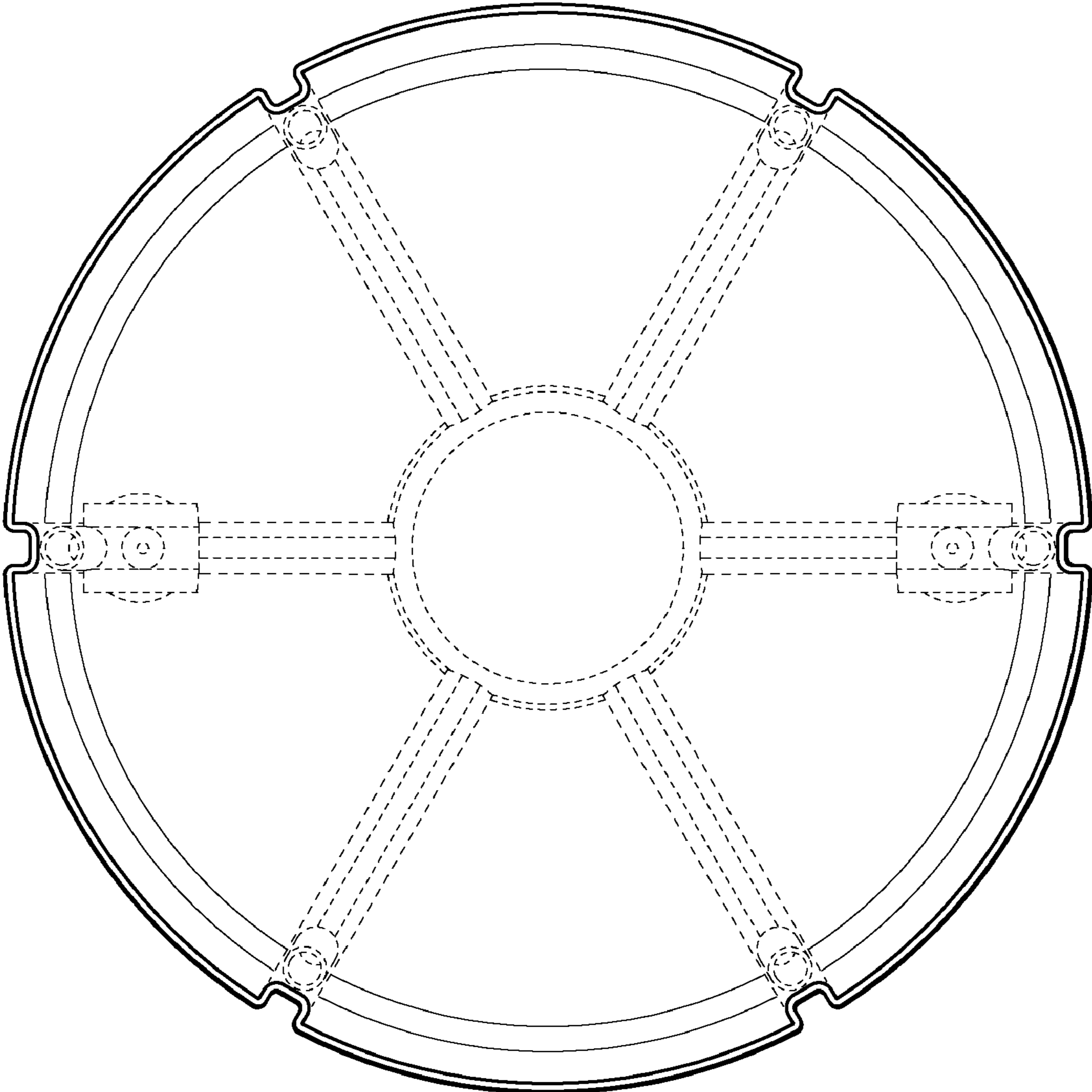


FIG.5