



US00D561908S

(12) **United States Design Patent**
Py et al.

(10) **Patent No.:** **US D561,908 S**
(45) **Date of Patent:** **** Feb. 12, 2008**

(54) **VIAL**

(75) Inventors: **Daniel Py**, Stamford, CT (US);
Norbert M. Assion, Shelton, CT (US);
Julian V. Chan, Spring Valley, NY
(US); **Jacques Thilly**, Rixensart (BE);
Christian Vandecasserie, Rixensart
(BE)

2,667,986 A 2/1954 Perelson
3,092,278 A 6/1963 Järnhäll
3,193,128 A 7/1965 Ravn
3,278,063 A 10/1966 Kranzhoff
3,340,671 A 9/1967 Loo
3,358,865 A 12/1967 Andersen

(Continued)

(73) Assignee: **Medical Instill Technologies, Inc.**,
New Milford, CT (US)

FOREIGN PATENT DOCUMENTS

CA 1 123 792 5/1982

(**) Term: **14 Years**

(Continued)

(21) Appl. No.: **29/269,938**

Primary Examiner—Ian Simmons
Assistant Examiner—Melanie Levy
(74) *Attorney, Agent, or Firm*—McCarter & English, LLP

(22) Filed: **Dec. 11, 2006**

(57) **CLAIM**

Related U.S. Application Data

(62) Division of application No. 29/254,935, filed on Mar. 1, 2006, now Pat. No. Des. 533,670, which is a division of application No. 29/223,408, filed on Feb. 14, 2005, now Pat. No. Des. 522,663, which is a division of application No. 29/189,780, filed on Sep. 10, 2003, now Pat. No. Des. 505,494, which is a division of application No. 29/166,810, filed on Sep. 3, 2002, now Pat. No. Des. 485,365.

We claim, the ornamental design for a vial, as shown and described.

DESCRIPTION

(51) **LOC (8) Cl.** **24-04**

(52) **U.S. Cl.** **D24/224**

(58) **Field of Classification Search** D24/121,
D24/216, 224; D9/445, 446, 434, 439; 422/102;
215/DIG. 3

FIG. 1 is a top perspective view of a first embodiment of a vial showing our new design;
FIG. 2 is a front elevational view of the vial of FIG. 1;
FIG. 3 is a side elevational view of the vial of FIG. 1;
FIG. 4 is another side elevational view of the vial of FIG. 1;
FIG. 5 is a top plan view of the vial of FIG. 1;
FIG. 6 is a rear elevational view of the vial of FIG. 1; and,
FIG. 7 is a bottom plan view of the vial of FIG. 1.

See application file for complete search history.

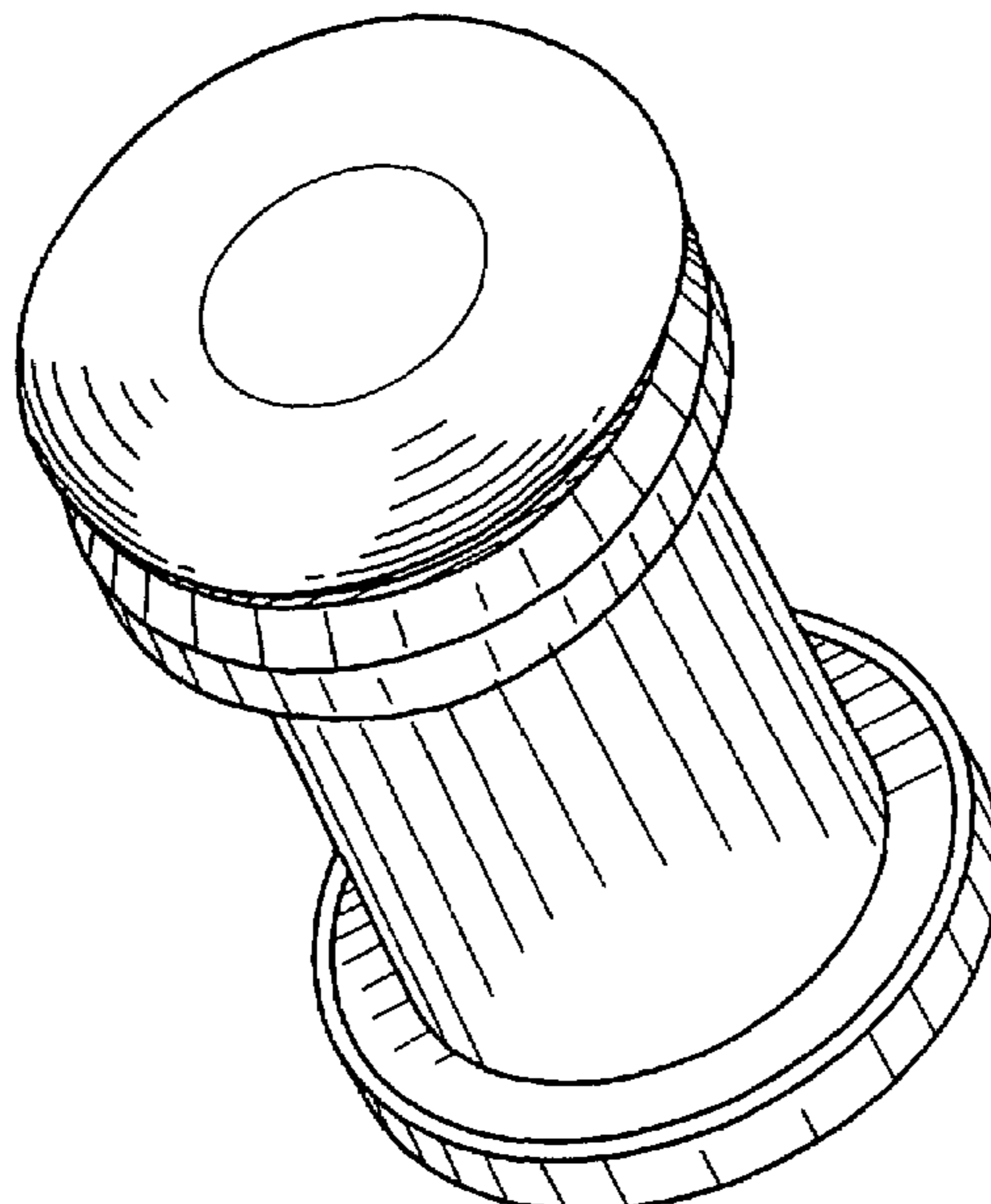
The broken lines shown in the drawing figures are for illustrative purposes only and form no part of the claimed design.

(56) **References Cited**

U.S. PATENT DOCUMENTS

2,503,147 A 4/1950 Applezweig

1 Claim, 4 Drawing Sheets



US D561,908 S

Page 2

U.S. PATENT DOCUMENTS

3,392,859	A	7/1968	Fischer	
3,637,102	A	1/1972	Shaw	
3,685,248	A	8/1972	Godelaide	
3,811,591	A	5/1974	Novitch	
4,048,255	A	9/1977	Hillier et al.	
4,171,057	A *	10/1979	Gach	D24/224
4,205,754	A	6/1980	Nielsen et al.	
4,250,611	A	2/1981	Wong	
4,265,364	A	5/1981	Baba	
4,366,912	A	1/1983	Matukura et al.	
4,390,111	A	6/1983	Robbins et al.	
4,444,330	A	4/1984	Kasai et al.	
4,456,138	A	6/1984	Bereziat	
4,471,879	A	9/1984	Connor et al.	
4,499,148	A	2/1985	Goodale et al.	
D279,651	S	7/1985	Freeman	
4,635,807	A	1/1987	Knapp	
4,664,275	A	5/1987	Kasai et al.	
4,664,277	A	5/1987	Connor	
4,703,781	A	11/1987	Meyer et al.	
D298,012	S *	10/1988	Larkin et al.	D24/224
4,815,619	A	3/1989	Turner et al.	
4,842,028	A	6/1989	Kaufman et al.	
5,031,675	A	7/1991	Lindgren	
5,085,332	A	2/1992	Gettig et al.	
5,088,612	A	2/1992	Storar et al.	
5,088,995	A	2/1992	Packard et al.	
5,129,212	A	7/1992	Duffey et al.	
5,247,015	A	9/1993	Bayan	
5,341,854	A	8/1994	Zeulka et al.	
5,344,036	A	9/1994	Stanescu et al.	
5,379,908	A	1/1995	Rohe	
5,411,065	A	5/1995	Meador et al.	
5,464,111	A	11/1995	Vacek et al.	
5,484,566	A	1/1996	Gabbard	
5,514,339	A	5/1996	Leopardi et al.	
5,549,141	A	8/1996	Meador et al.	

5,641,004	A	6/1997	Py	
D383,214	S	9/1997	Brennan	
D389,586	S	1/1998	Brennan	
5,718,348	A	2/1998	Manera	
5,744,087	A	4/1998	Williams et al.	
5,816,772	A	10/1998	Py	
5,823,373	A	10/1998	Sudo et al.	
D401,699	S *	11/1998	Herchenbach et al.	D24/224
5,902,298	A	5/1999	Niedospial et al.	
5,931,828	A	8/1999	Durkee	
5,971,181	A	10/1999	Niedospial, Jr. et al.	
6,006,932	A	12/1999	Morini	
6,068,150	A	5/2000	Mitchell et al.	
6,070,748	A	6/2000	Storar	
6,095,355	A	8/2000	Jessen et al.	
6,145,688	A	11/2000	Smith	
D439,345	S	3/2001	Herchenbach et al.	
6,223,918	B1	5/2001	Browne	
6,234,335	B1	5/2001	Gee et al.	
6,382,441	B1	5/2002	Carano	
6,416,499	B2	7/2002	Paul, Jr.	
6,607,685	B2	8/2003	Naritomi et al.	
D485,365	S *	1/2004	Py et al.	D24/224
6,681,475	B2	1/2004	Thibault et al.	
D487,594	S *	3/2004	Alscher et al.	D24/224
D505,494	S *	5/2005	Py et al.	D24/224
D522,663	S *	6/2006	Py et al.	D24/224
2002/0023893	A1	2/2002	Sudo et al.	

FOREIGN PATENT DOCUMENTS

EP	0 921 151	B1	10/2001
FR	2 509 689		7/1981
GB	500534		2/1939
GB	984149		2/1965
GB	2 091 229	A	7/1982
GB	2 364 700	A	2/2002
WO	WO 95/34381		12/1995

* cited by examiner

FIG. 1

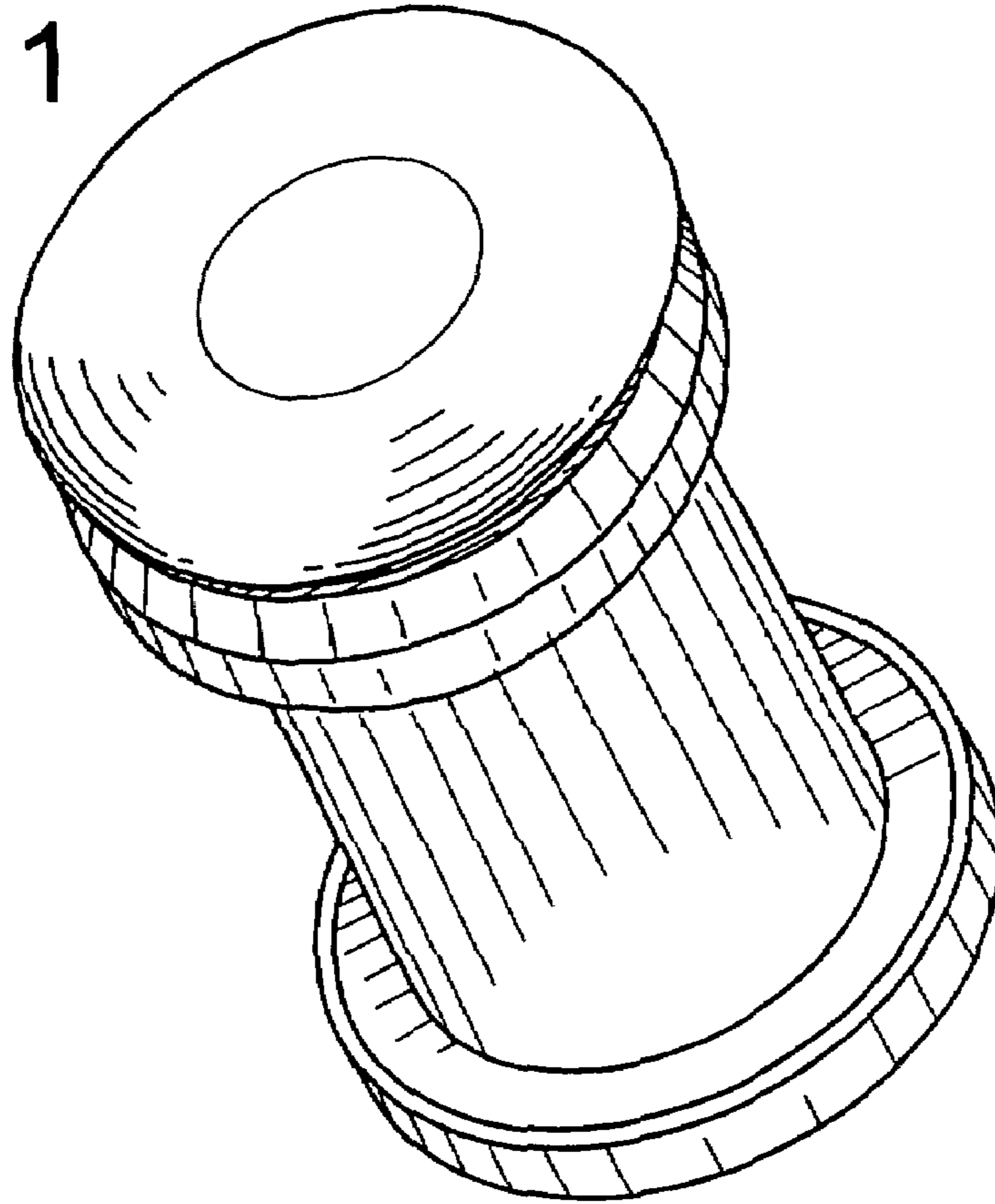


FIG. 2

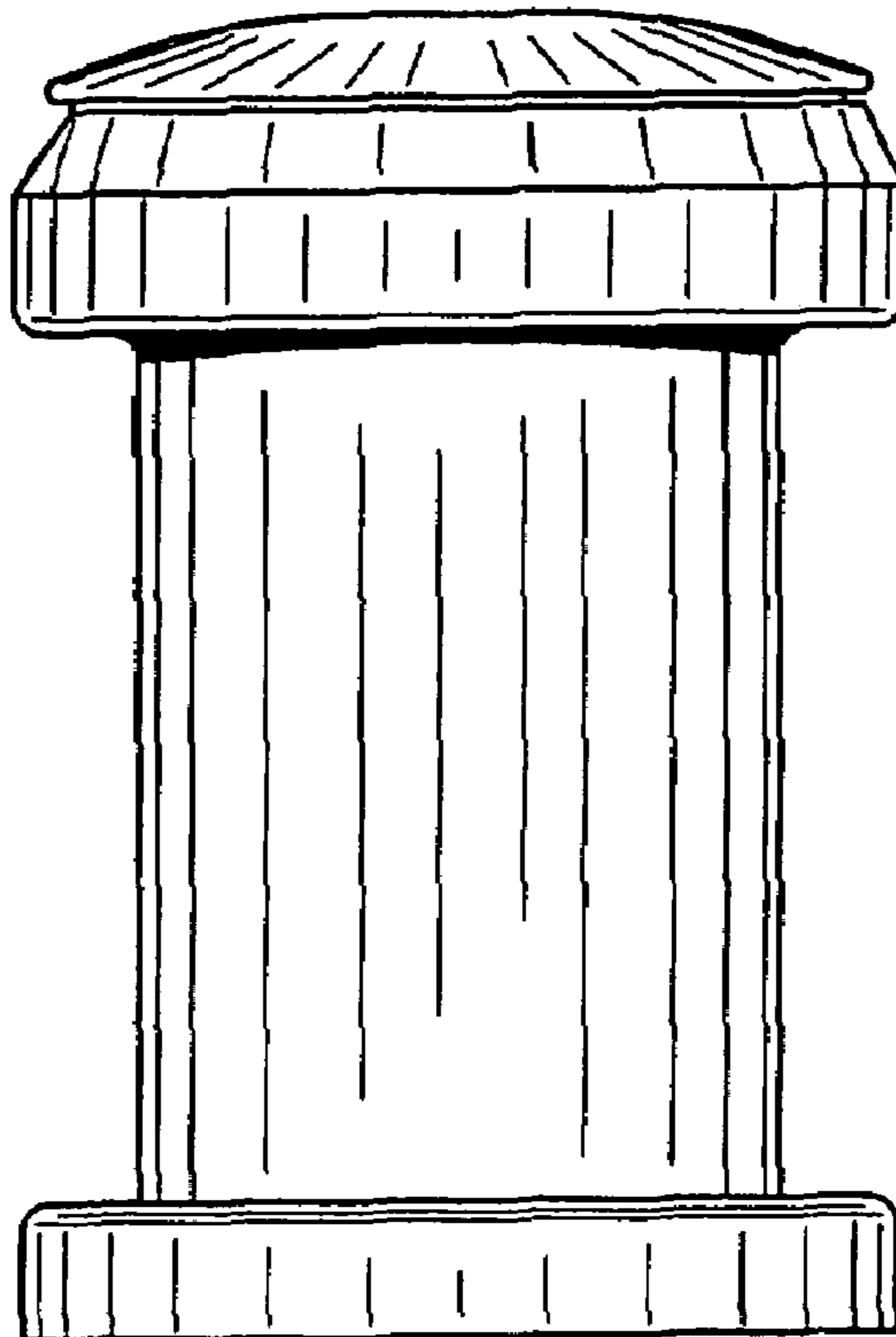


FIG. 4

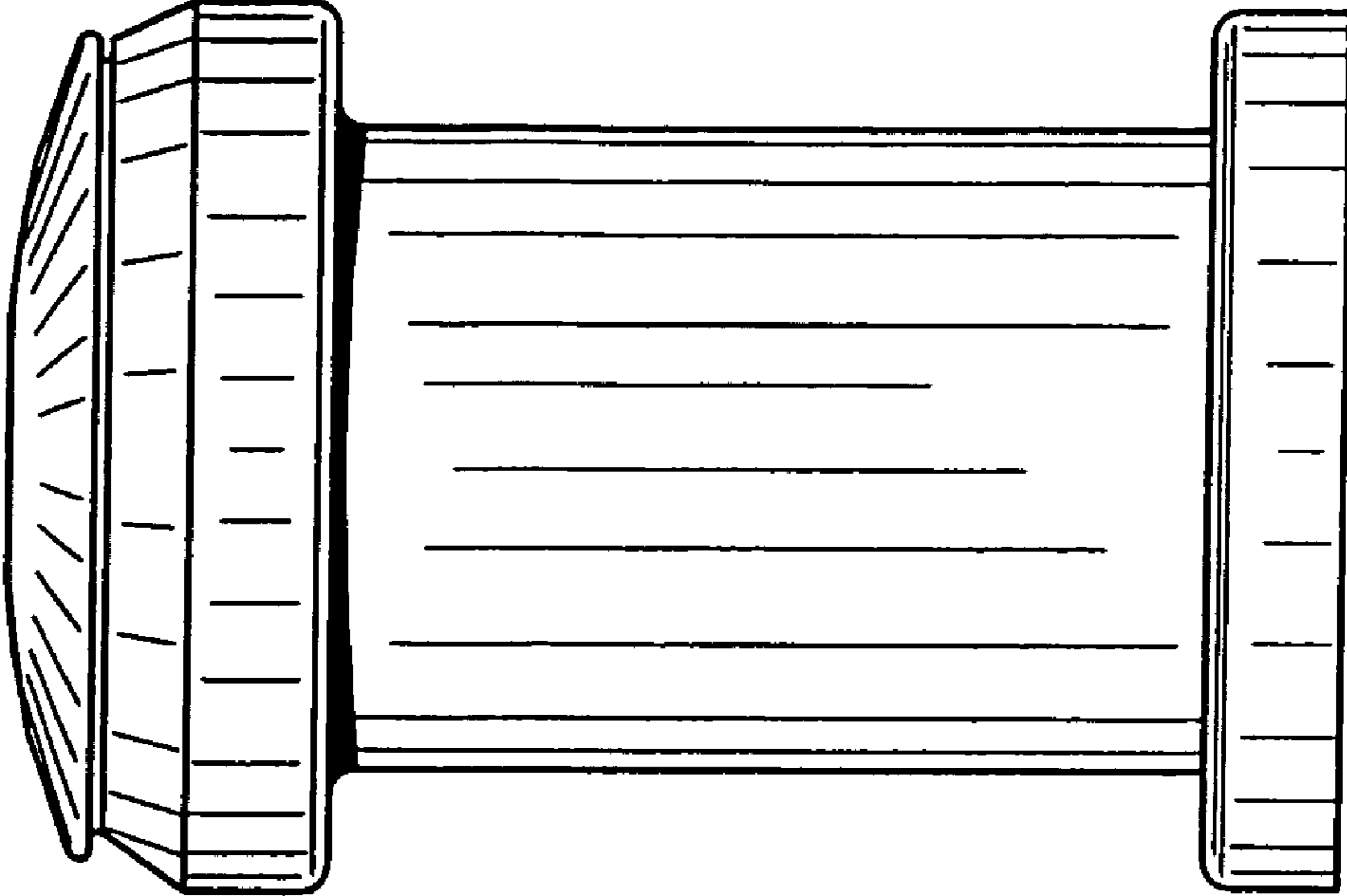


FIG. 3

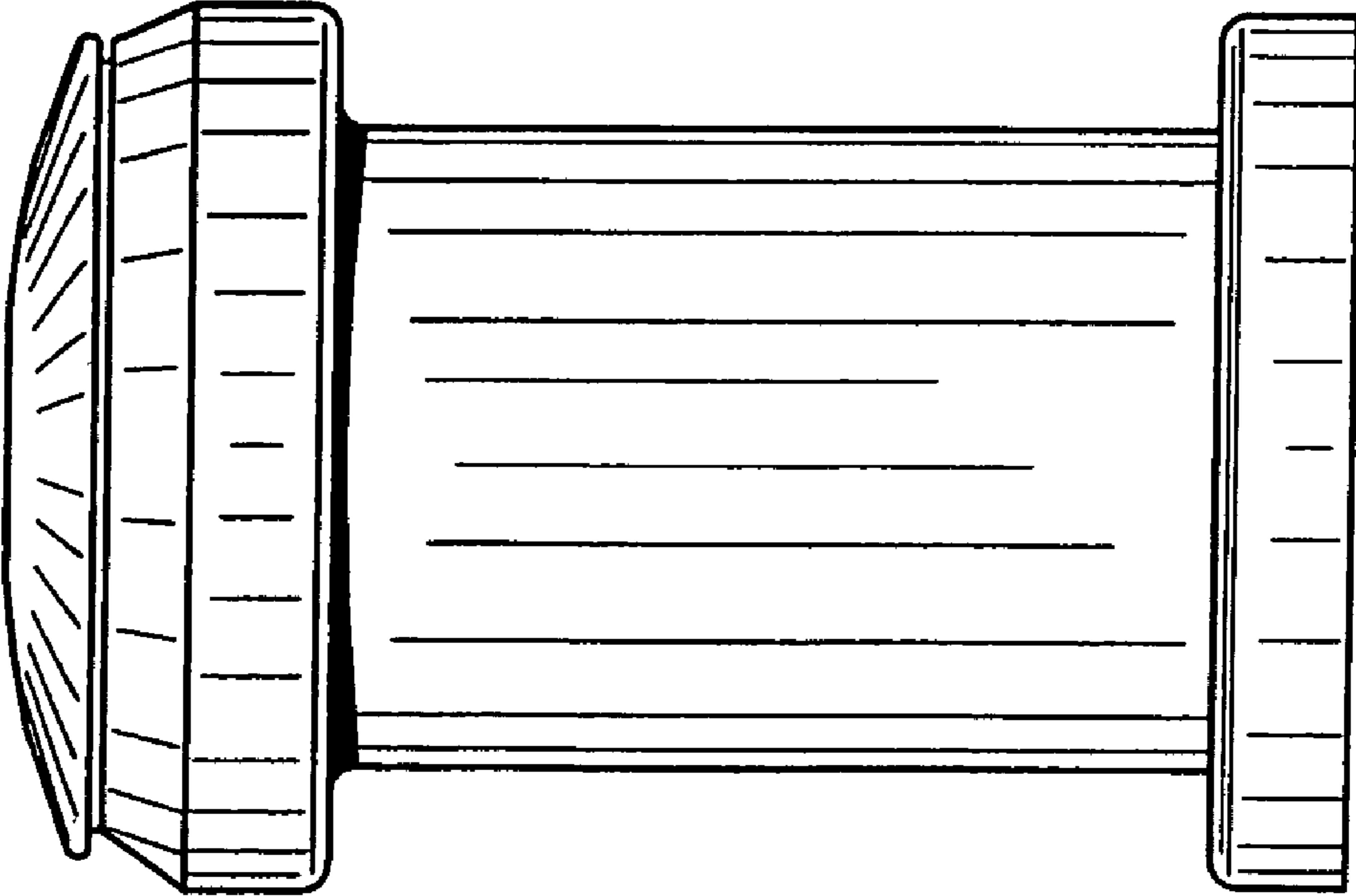


FIG. 5

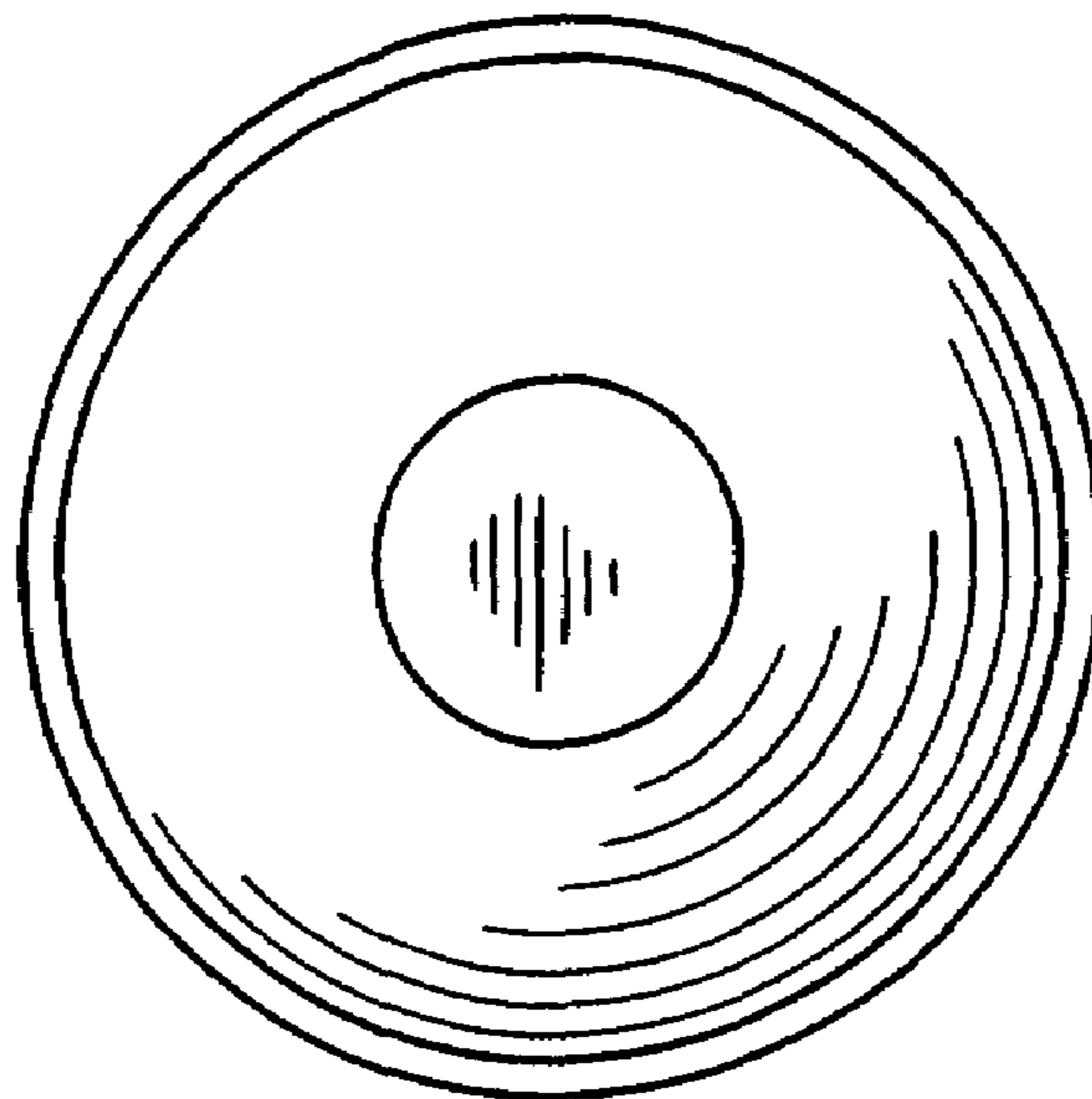


FIG. 6

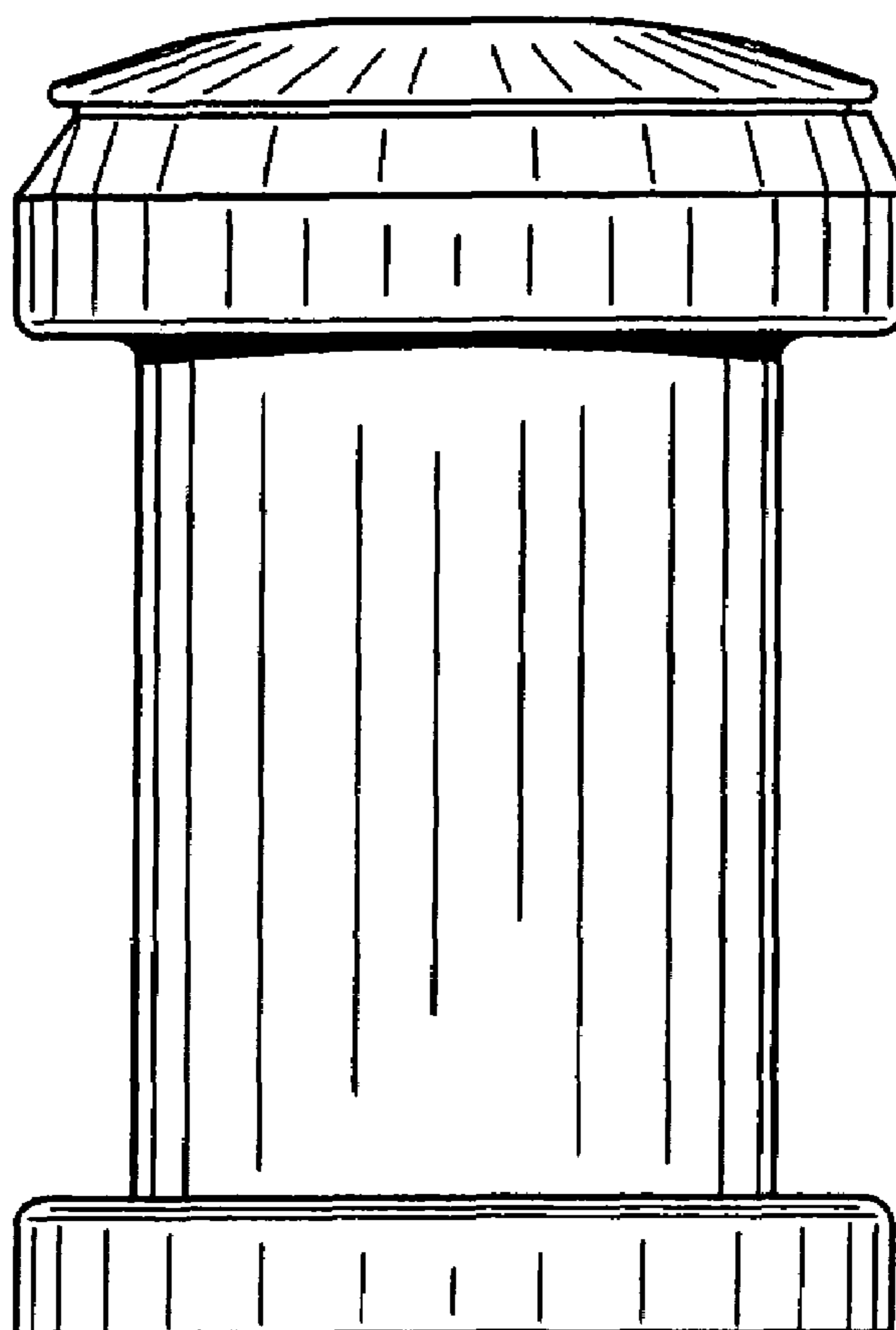


FIG. 7

