



US00D561907S

(12) **United States Design Patent** (10) **Patent No.:** **US D561,907 S**
Py et al. (45) **Date of Patent:** **** Feb. 12, 2008**

(54) **VIAL**

(75) Inventors: **Daniel Py**, Stamford, CT (US);
Norbert M. Assion, Shelton, CT (US);
Julian V. Chan, Spring Valley, NY
(US)

5,088,995 A 2/1992 Packard et al.
5,129,212 A 7/1992 Duffey et al.
5,247,015 A 9/1993 Bayan
5,341,854 A 8/1994 Zezulka et al.
5,344,036 A 9/1994 Stanesco et al.
5,379,908 A 1/1995 Rohe
5,411,065 A 5/1995 Meador et al.

(73) Assignee: **Medical Instill Technologies, Inc.**,
New Milford, CT (US)

(Continued)

(**) Term: **14 Years**

Primary Examiner—Ian Simmons
Assistant Examiner—Melanie Levy
(74) *Attorney, Agent, or Firm*—McCarter & English, LLP

(21) Appl. No.: **29/265,237**

(57) **CLAIM**

(22) Filed: **Aug. 28, 2006**

The ornamental design for a vial, as shown and described.

Related U.S. Application Data

DESCRIPTION

(62) Division of application No. 29/198,310, filed on Jan. 27, 2004, now Pat. No. Des. 527,463.

FIG. 1 is a top perspective view of a vial showing our new design with a removable portion of the cap removed;

(51) **LOC (8) Cl.** **24-04**

FIG. 2 is a front elevational view of the vial of FIG. 1;

(52) **U.S. Cl.** **D24/224**

FIG. 3 is a rear elevational view thereof;

(58) **Field of Classification Search** D24/224–226,
D24/216, 121; D9/445–446, 434, 439; 422/99–102;
604/414–415; 215/255, 281, 247, 249
See application file for complete search history.

FIG. 4 is a left side elevational view thereof;

FIG. 5 is a right side elevational view thereof;

FIG. 6 is a top plan view thereof; and,

FIG. 7 is a bottom plan view thereof.

(56) **References Cited**

The broken lines in the figures show structure or boundaries that are not part of the claimed design, but rather show the environment in which the design is associated, or show portions of the article in which the design is embodied or applied to that are not considered part of the claimed design.

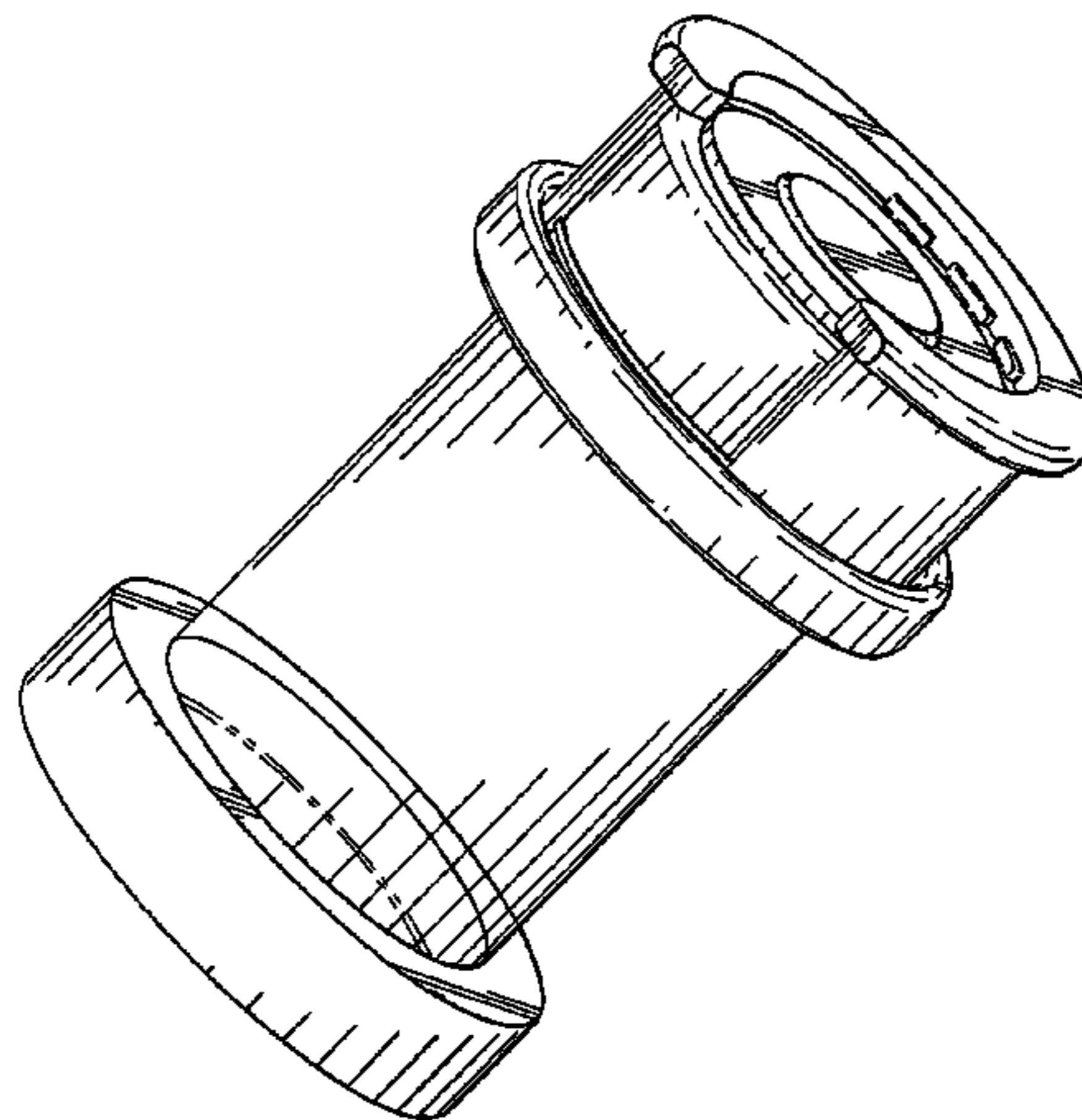
U.S. PATENT DOCUMENTS

The shading and tones, and any variations thereof, shown in the informal drawings do not imply any specific colors or color contrast scheme in the article to be patented. In addition, the surface coloration and tones, and the variations thereof, shown in the informal drawings form no part of the claimed design.

2,503,147 A 4/1950 Applezweig
3,092,278 A 6/1963 Järnhäll
3,340,671 A 9/1967 Loo
3,685,248 A 8/1972 Godelaine
4,171,057 A * 10/1979 Gach D24/224
4,250,611 A 2/1981 Wong
D263,504 S * 3/1982 Fowles et al. D24/121
4,366,812 A 1/1983 Matakura et al.
4,390,111 A 6/1983 Robbins et al.
D279,651 S * 7/1985 Freeman D9/446
4,664,275 A 5/1987 Kasai et al.
4,703,781 A 11/1987 Meyer et al.
4,842,028 A 6/1989 Kaufman et al.
5,085,332 A 2/1992 Gettig et al.
5,088,612 A 2/1992 Storar et al.

The diagonal lines (or shading lines) are intended to show that the respective portion(s) of the vial are transparent or substantially transparent, whereas the claimed portion(s) of the vial that do not include such lines are opaque or substantially opaque.

1 Claim, 7 Drawing Sheets



US D561,907 S

Page 2

U.S. PATENT DOCUMENTS

5,464,111	A	11/1995	Vacek et al.	6,006,932	A	12/1999	Morin
5,484,566	A	1/1996	Gabbard	D420,744	S *	2/2000	Ostgaard et al. D24/224
5,514,339	A	5/1996	Leopardi et al.	6,068,150	A	5/2000	Mitchell et al.
5,549,141	A	8/1996	Meador et al.	6,070,748	A	6/2000	Sotrar
5,641,004	A	6/1997	Py	6,095,355	A	8/2000	Jessen et al.
D383,214	S *	9/1997	Brennan D24/224	6,145,688	A	11/2000	Smith
D389,586	S *	1/1998	Brennan D24/224	D439,345	S *	3/2001	Herchenbach et al. D24/224
5,718,348	A	2/1998	Manera	6,223,918	B1	5/2001	Browne
5,744,087	A	4/1998	Williams et al.	6,234,335	B1	5/2001	Gee et al.
5,816,772	A	10/1998	Py	6,382,441	B1	5/2002	Carano
5,823,373	A	10/1998	Sudo et al.	2001/0041872	A1	11/2001	Paul, Jr.
5,902,298	A	5/1999	Niedospial et al.	2002/0010995	A1	1/2002	Thibault et al.
5,931,828	A	8/1999	Durkee	2002/0023893	A1	2/2002	Sudo et al.
5,971,181	A	10/1999	Niedospial, Jr. et al.	2002/0029022	A1	3/2002	Naritomi et al.

* cited by examiner

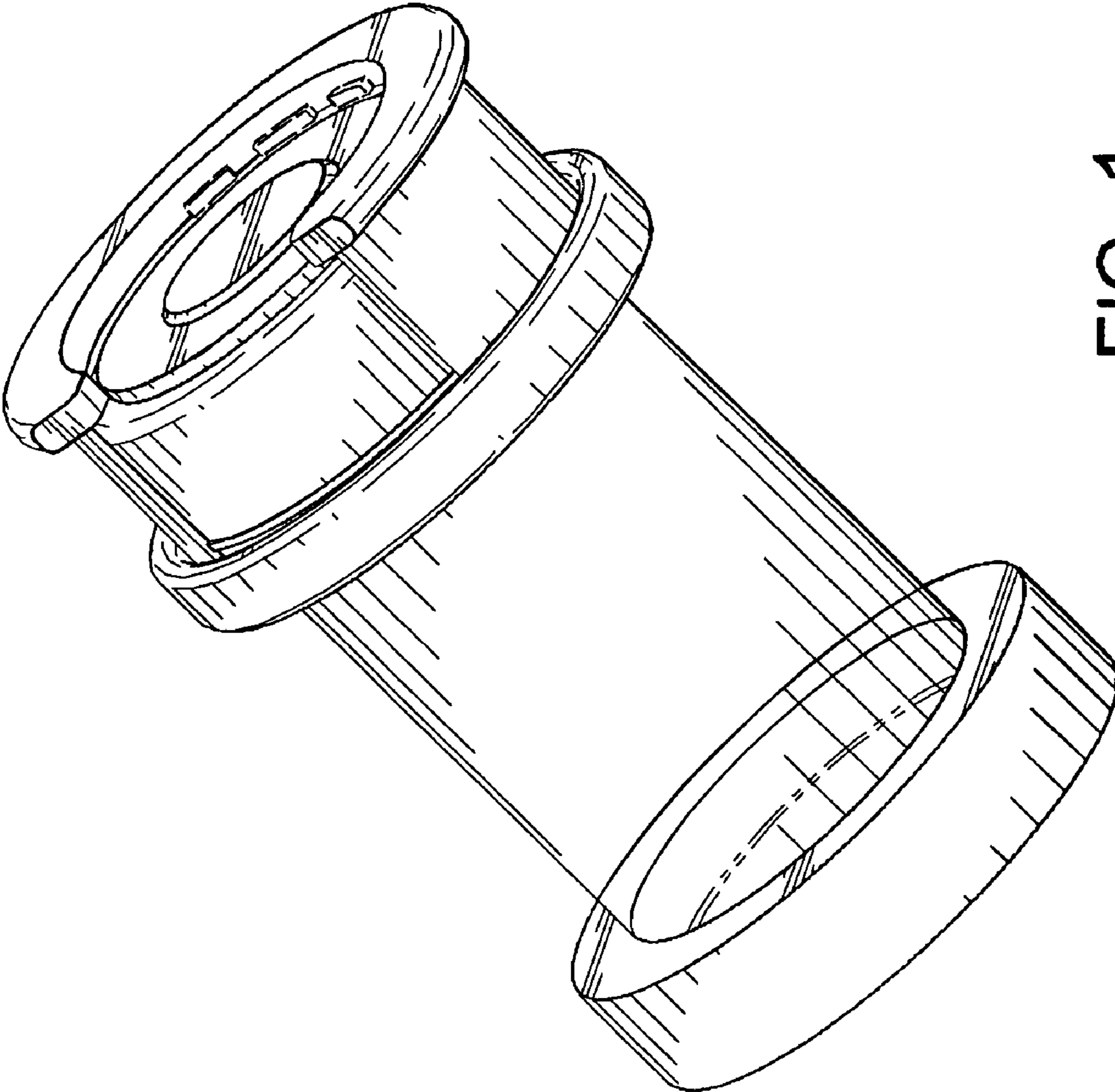


FIG. 1

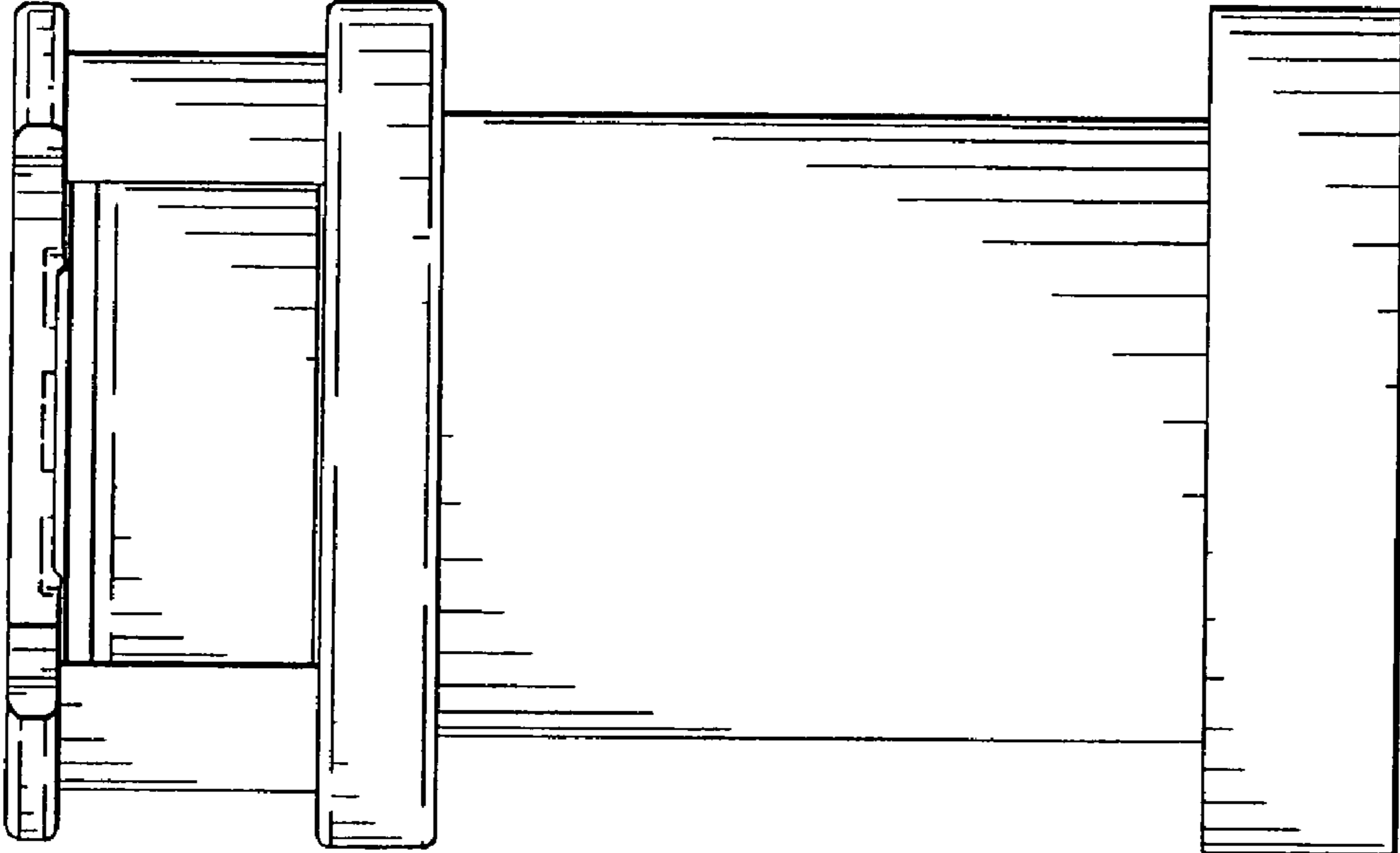


FIG. 2

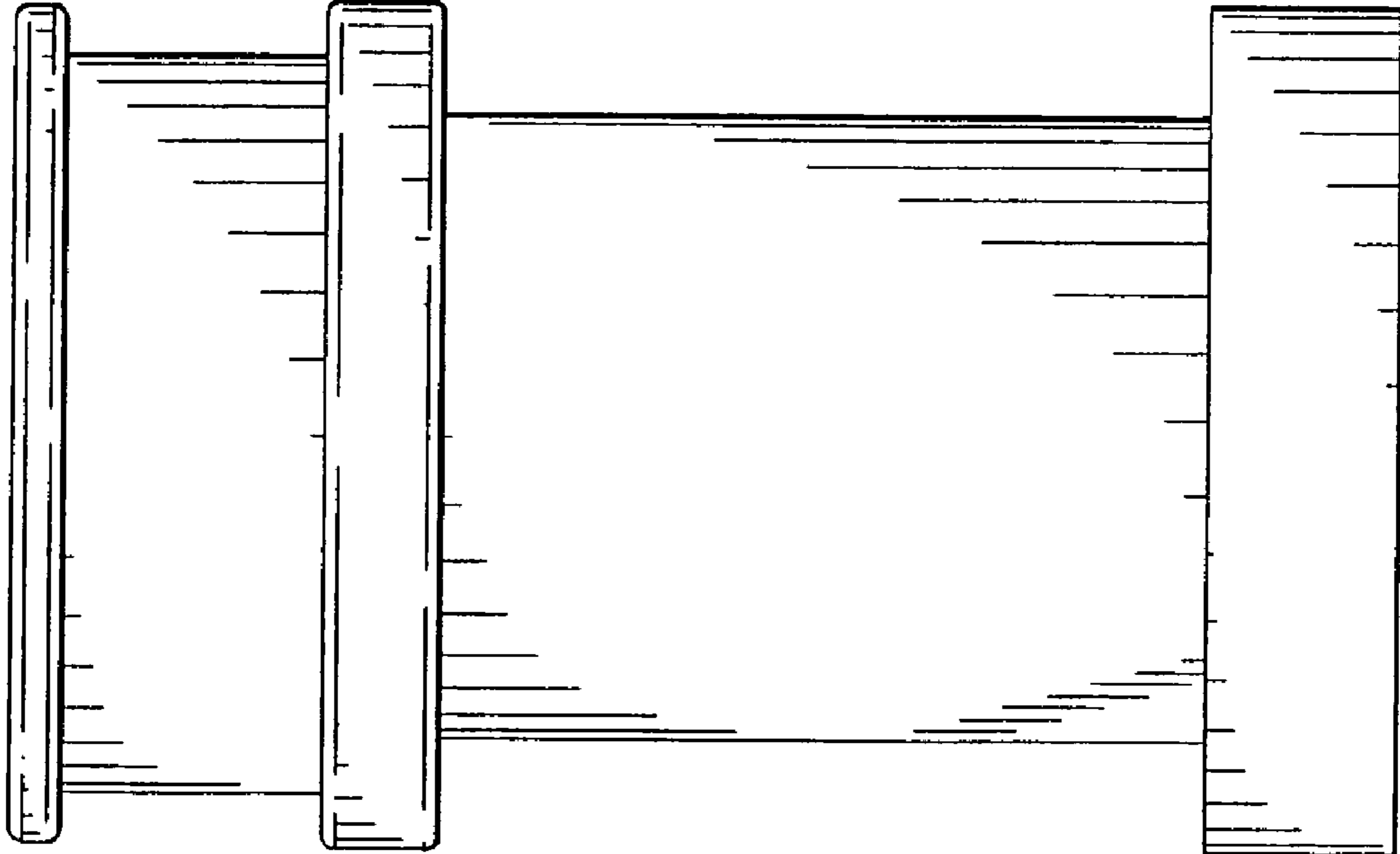


FIG. 3

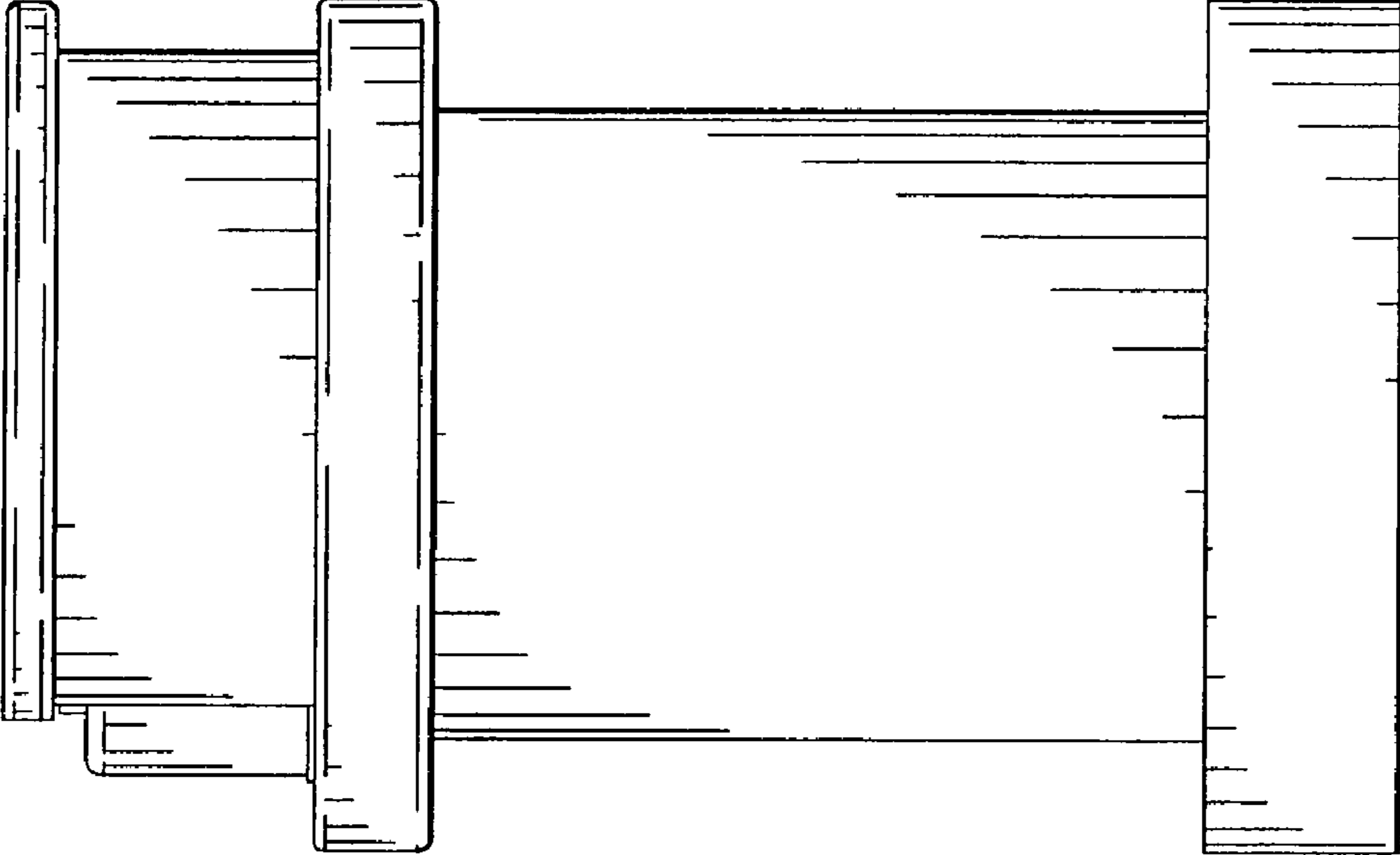


FIG. 4

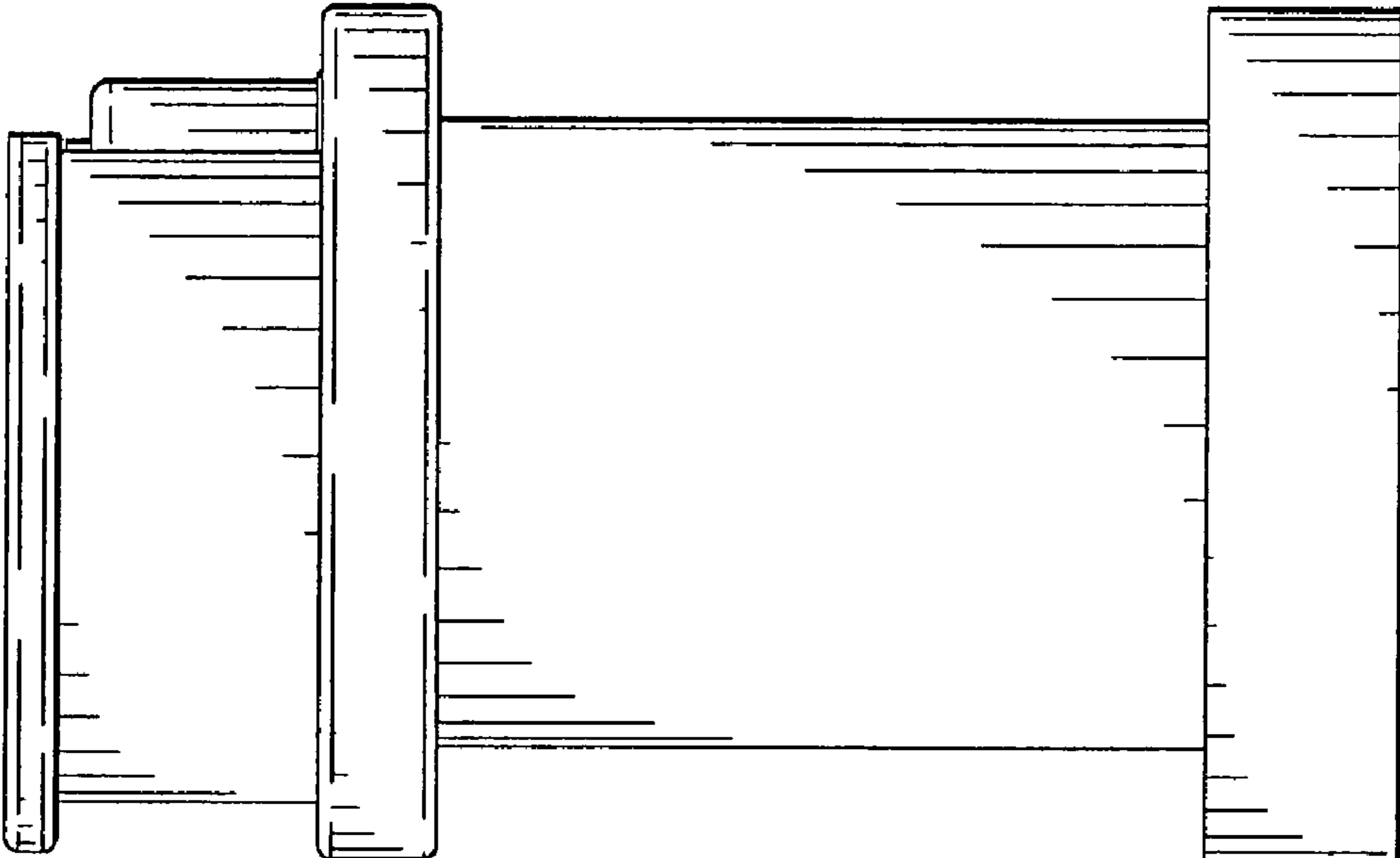


FIG. 5

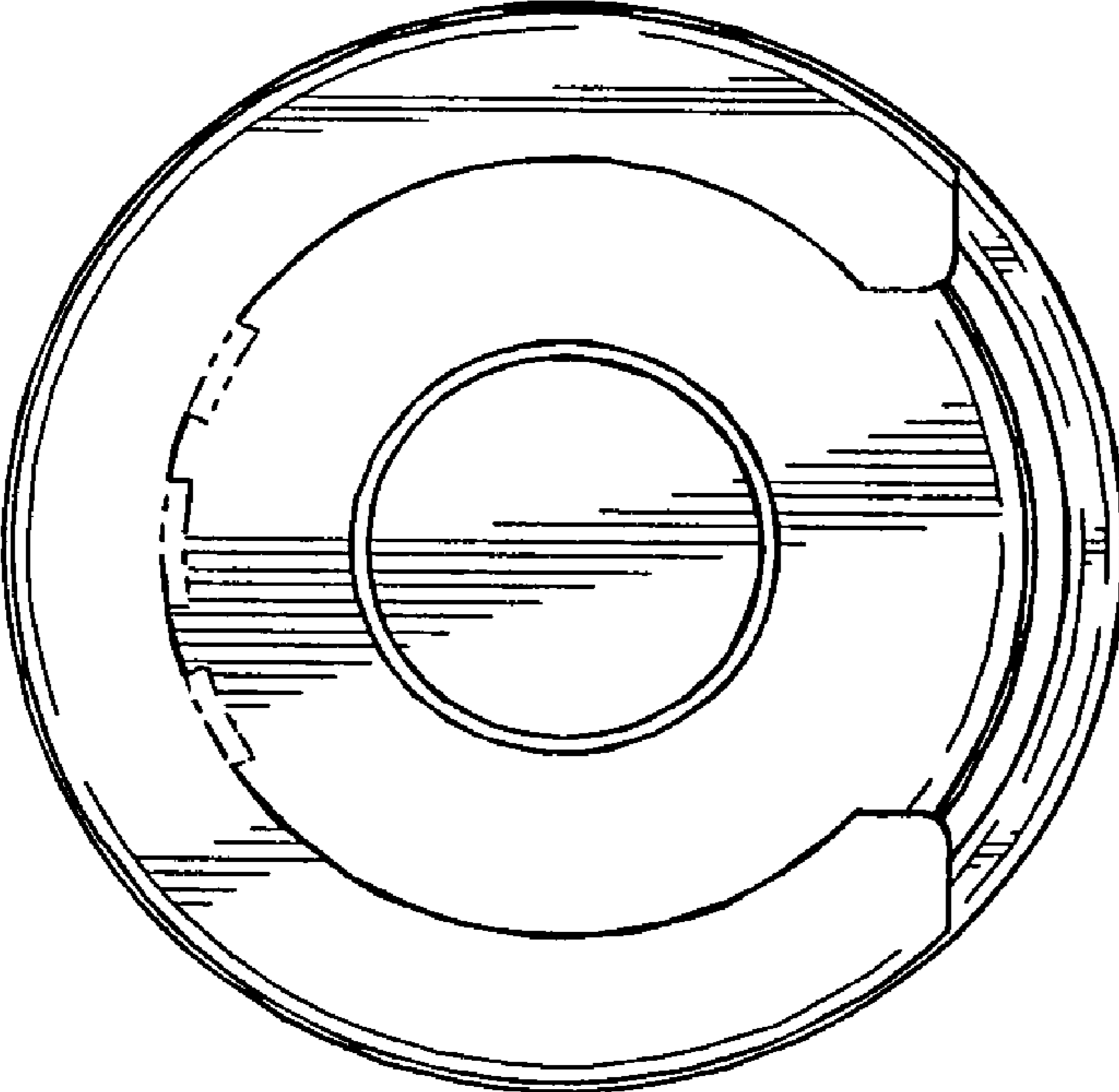


FIG. 6

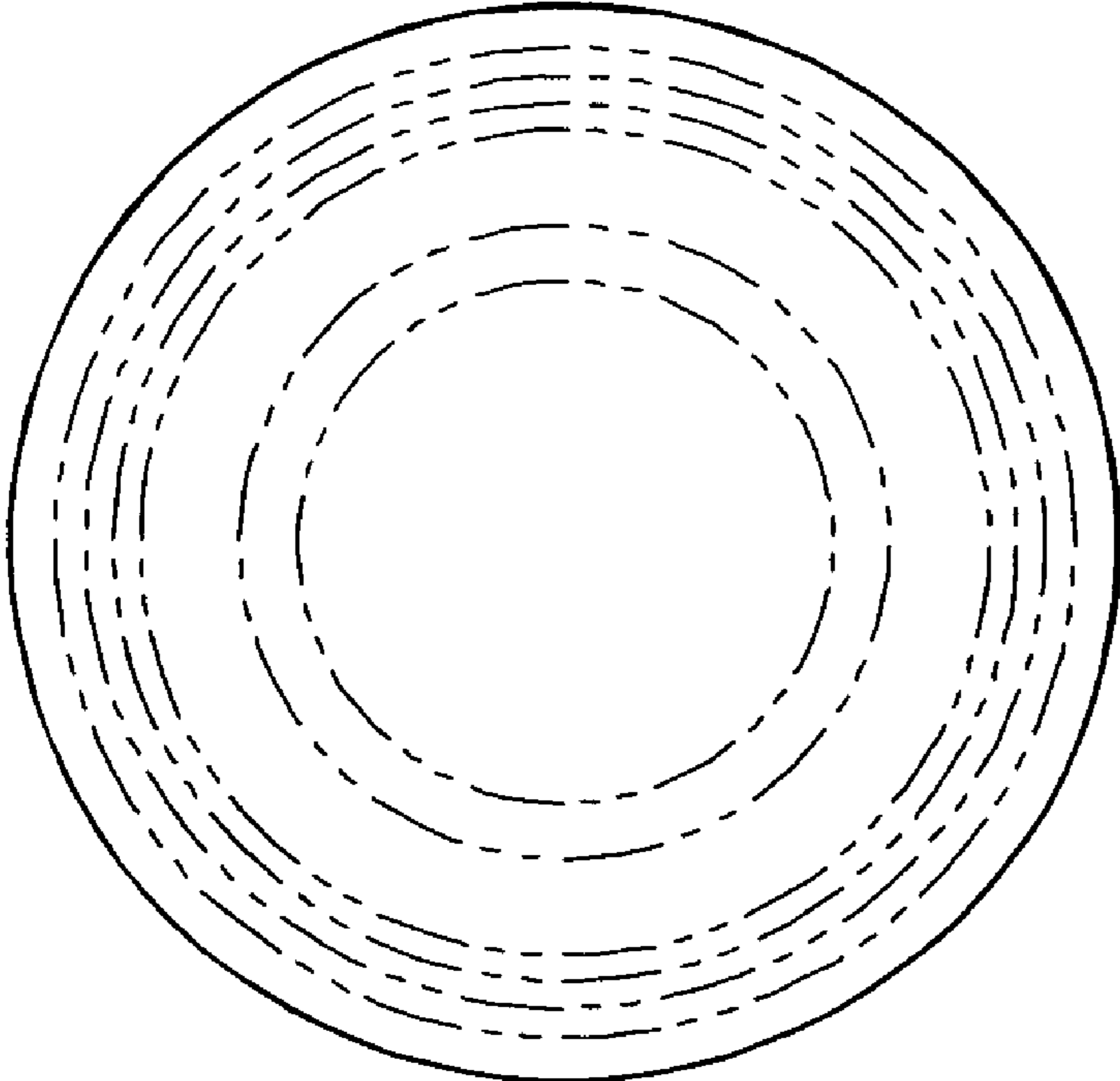


FIG. 7