



US00D561904S

(12) **United States Design Patent**
Neel et al.

(10) **Patent No.:** **US D561,904 S**
(45) **Date of Patent:** **** *Feb. 12, 2008**

- (54) **METER FOR AN INTEGRATED DIAGNOSTIC TEST SYSTEM**
- (75) Inventors: **Gary T. Neel**, Weston, FL (US); **Allan Javier Caban**, Lake Worth, FL (US)
- (73) Assignee: **Home Diagnostics, Inc.**, Fort Lauderdale, FL (US)
- (*) Notice: This patent is subject to a terminal disclaimer.
- (**) Term: **14 Years**

- 4,934,556 A 6/1990 Kleissendorf
- 4,995,402 A 2/1991 Smith et al.
- 5,087,556 A 2/1992 Ertinghausen
- 5,096,669 A 3/1992 Lauks et al.
- 5,104,619 A 4/1992 de Castro
- 5,108,889 A 4/1992 Smith et al.
- 5,149,505 A 9/1992 English et al.
- 5,279,294 A 1/1994 Anderson et al.
- D347,584 S 6/1994 Vogelpohl
- D351,797 S 10/1994 White

(21) Appl. No.: **29/222,351**

(Continued)

(22) Filed: **Jan. 31, 2005**

Primary Examiner—Joel A. Sincavage

Assistant Examiner—Anhdao Doan

(51) **LOC (8) Cl.** **24-01**

(52) **U.S. Cl.** **D24/216**

(58) **Field of Classification Search** D24/216–230,
D24/169; D10/81; 422/99–102; 435/288.1,
435/288.2; 356/246

(74) *Attorney, Agent, or Firm*—Finnegan, Henderson, Farabow, Garrett & Dunner L.L.P.

See application file for complete search history.

(57) **CLAIM**

The ornamental design for a meter for an integrated diagnostic test system, as shown and described.

(56) **References Cited**

U.S. PATENT DOCUMENTS

- D57,941 S 5/1921 Smithey
- 2,072,796 A 3/1937 Christopher
- 3,964,871 A 6/1976 Hochstrasser
- 4,059,407 A 11/1977 Hochstrasser
- 4,218,421 A 8/1980 Mack et al.
- 4,615,462 A 10/1986 Sacherer et al.
- 4,627,445 A 12/1986 Garcia et al.
- 4,637,403 A 1/1987 Garcia et al.
- 4,690,801 A 9/1987 Anderson
- 4,717,018 A 1/1988 Sacherer et al.
- 4,757,022 A 7/1988 Shults et al.
- 4,787,398 A 11/1988 Garcia et al.
- 4,797,256 A 1/1989 Watlington, IV
- 4,834,234 A 5/1989 Sacherer et al.
- 4,871,258 A 10/1989 Herpichboehm et al.
- 4,876,068 A 10/1989 Castaneda
- 4,877,580 A 10/1989 Aronowitz et al.
- 4,905,866 A 3/1990 Bartell et al.

DESCRIPTION

FIG. 1 is a rear-left, perspective view of a meter for an integrated diagnostic test system of the design;

FIG. 2 is a top view of the design of FIG. 1;

FIG. 3 is a rear view of the design of FIG. 1;

FIG. 4 is a left-side view of the design of FIG. 1;

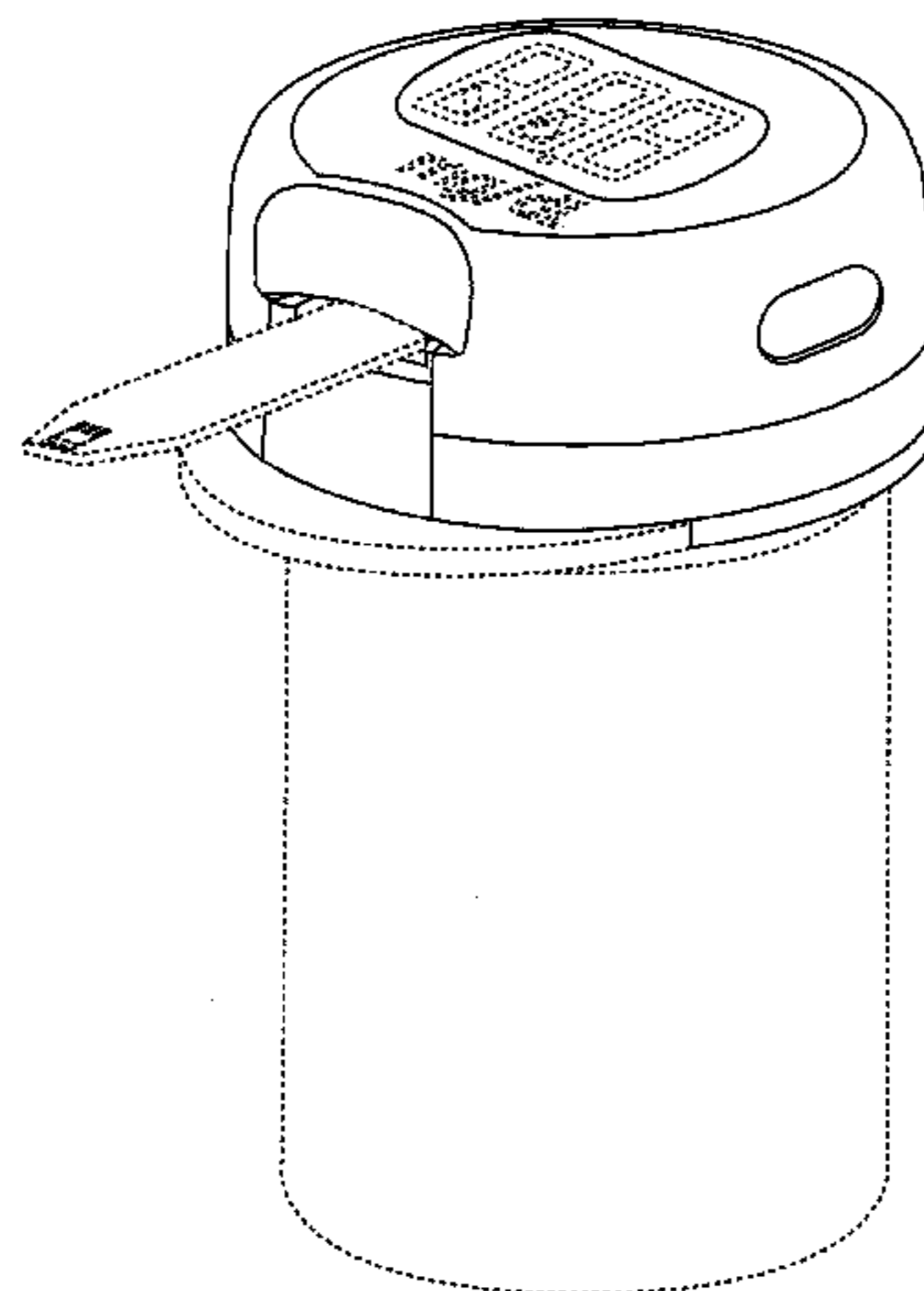
FIG. 5 is a front view of the design of FIG. 1;

FIG. 6 is a right-side view of the design of FIG. 1; and,

FIG. 7 is a bottom view of the design of FIG. 1.

The broken lines in the figures are for illustrative purposes only and do not form part of the claimed invention.

1 Claim, 7 Drawing Sheets



US D561,904 S

Page 2

U.S. PATENT DOCUMENTS				
		6,352,514	B1	3/2002 Douglas
		6,361,744	B1	3/2002 Levy
		6,379,317	B1	4/2002 Kintzig et al.
5,413,764	A 5/1995 Haar	6,379,620	B1 *	4/2002 Tydings et al. 422/58
5,429,804	A 7/1995 Sayles	D472,175	S	3/2003 Welsh
D362,635	S 9/1995 Weichhold et al.	6,540,675	B2	4/2003 Aceti et al.
5,464,118	A 11/1995 Grau et al.	6,544,475	B1	4/2003 Douglas et al.
D367,109	S 2/1996 Ryner et al.	6,558,897	B2	5/2003 Scheuringer
5,489,414	A 2/1996 Schreiber et al.	6,581,799	B1	6/2003 Garrant et al.
5,510,266	A 4/1996 Bonner et al.	6,612,461	B2	9/2003 Layer et al.
5,575,403	A 11/1996 Charlton et al.	6,623,698	B2	9/2003 Kuo
5,630,986	A 5/1997 Charlton et al.	6,669,908	B2	12/2003 Weyker et al.
5,639,424	A 6/1997 Rausnitz	6,682,704	B2	1/2004 Bottwein et al.
5,645,798	A 7/1997 Schreiber et al.	D487,594	S	3/2004 Alscher et al.
5,649,642	A 7/1997 Mabry et al.	D491,275	S	6/2004 Walters et al.
5,695,623	A 12/1997 Michel et al.	6,964,752	B2 *	11/2005 Lappe et al. 422/82
5,709,838	A 1/1998 Porter et al.	2002/0057993	A1	5/2002 Maisey et al.
5,728,352	A 3/1998 Poto et al.	2002/0150501	A1	10/2002 Roberston et al.
5,736,103	A 4/1998 Pugh	2002/0188224	A1	12/2002 Roe et al.
5,738,244	A 4/1998 Charlton et al.	2003/0031591	A1	2/2003 Whitson et al.
5,791,514	A 8/1998 Kirk, III et al.	2003/0031595	A1	2/2003 Kirchhevel et al.
5,795,543	A 8/1998 Poto et al.	2003/0032190	A1	2/2003 Brown et al.
5,810,199	A 9/1998 Charlton et al.	2003/0036200	A1	2/2003 Charlton
5,821,399	A 10/1998 Zelin	2003/0059350	A1	3/2003 Sacherer
5,854,074	A 12/1998 Charlton et al.	2003/0109777	A1	6/2003 Kloepfer et al.
5,872,713	A 2/1999 Douglas et al.	2003/0129088	A1	7/2003 Lee et al.
5,904,898	A 5/1999 Markart	2003/0133847	A1	7/2003 Hagen et al.
5,950,865	A 9/1999 Menes	2003/0161762	A1	8/2003 Caron et al.
5,951,492	A 9/1999 Douglas et al.	2003/0175155	A1	9/2003 Charlton
5,989,917	A 11/1999 McAleer et al.	2003/0185705	A1	10/2003 Otake
6,036,924	A 3/2000 Simons et al.	2003/0185708	A1	10/2003 Otake
D429,527	S 8/2000 Bolam et al.	2003/0186446	A1	10/2003 Pugh
6,099,484	A 8/2000 Douglas et al.	2003/0191415	A1	10/2003 Moeman et al.
6,106,780	A 8/2000 Douglas et al.	2003/0207454	A1	11/2003 Eyster et al.
6,135,314	A 10/2000 Menes	2003/0208140	A1	11/2003 Pugh
D435,657	S * 12/2000 Bhullar et al. D24/169	2003/0211625	A1	11/2003 Cohen et al.
6,159,424	A 12/2000 Kauhaniemi et al.	2003/0212345	A1	11/2003 McAllister et al.
6,176,119	B1 1/2001 Kintzig	2003/0219357	A1	11/2003 Douglas et al.
6,180,063	B1 1/2001 Markart	2003/0223906	A1	12/2003 McAllister et al.
6,192,891	B1 2/2001 Gravel et al.	2004/0007585	A1	1/2004 Griffith et al.
6,300,142	B1 10/2001 Andrewes et al.	2004/0048394	A1	3/2004 Kirchhevel
6,315,738	B1 11/2001 Nishikawa et al.			
6,319,209	B1 11/2001 Kriz			
6,342,183	B1 * 1/2002 Lappe et al. 422/58			

* cited by examiner

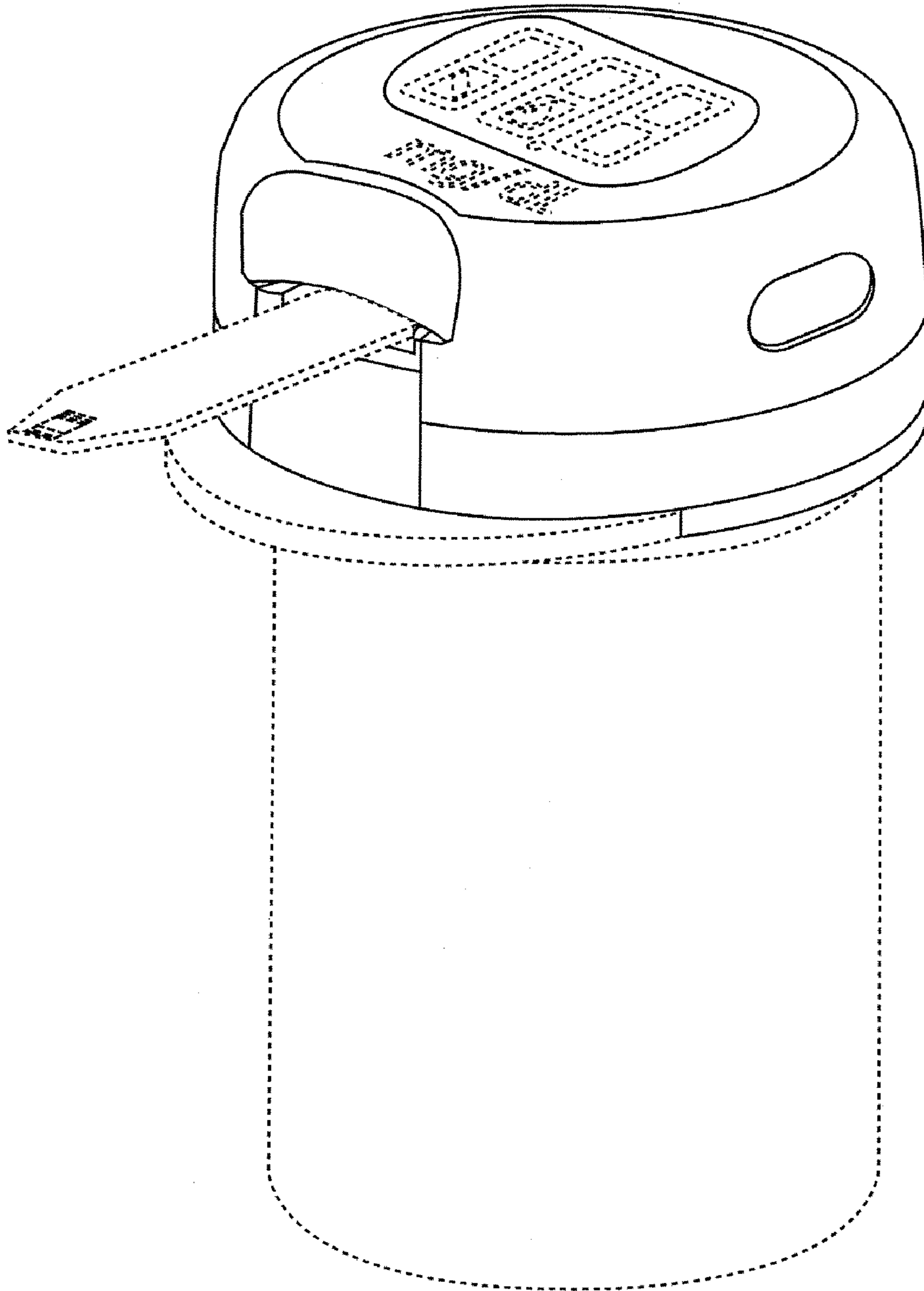


FIG. 1

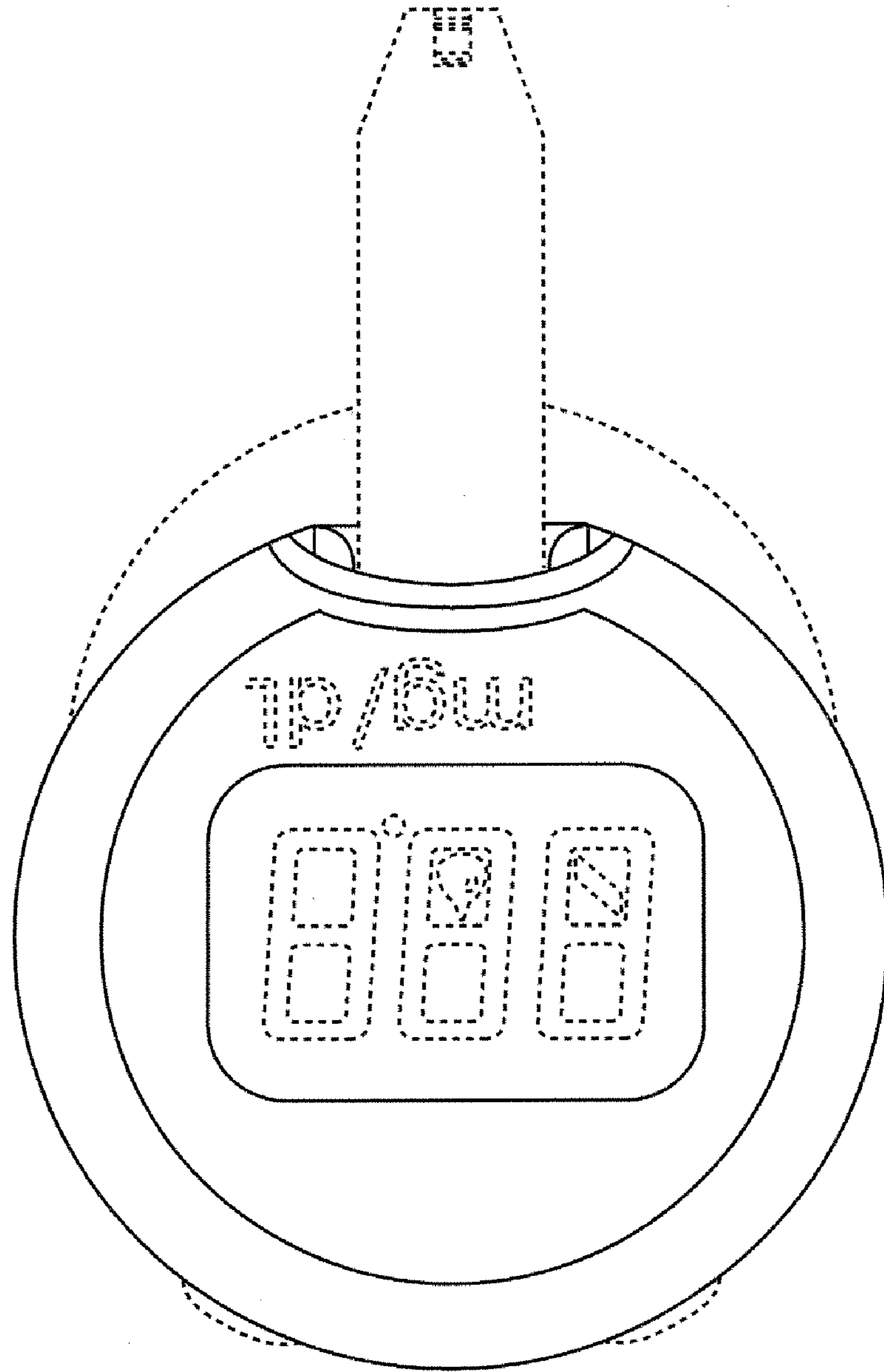


FIG. 2

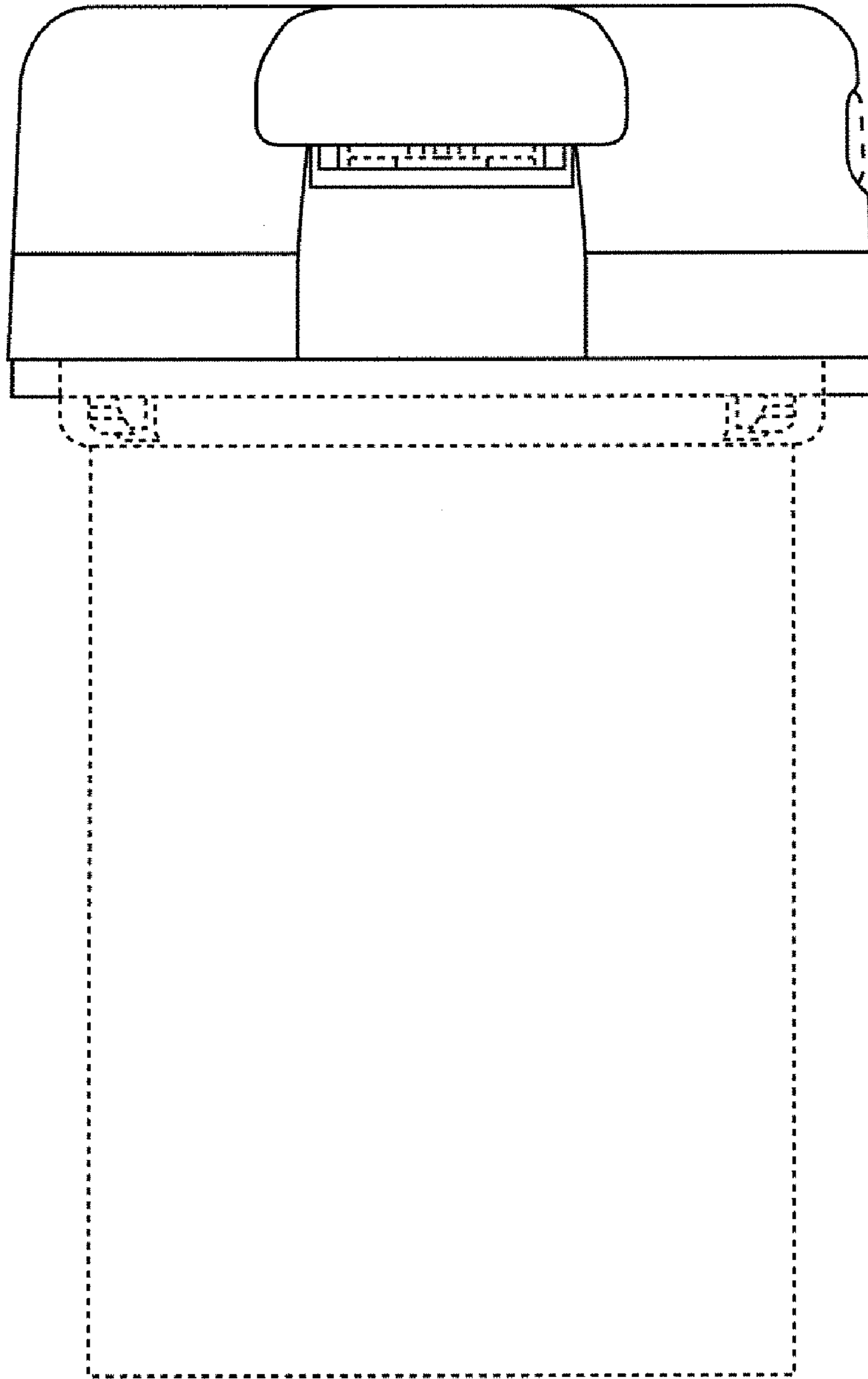


FIG. 3

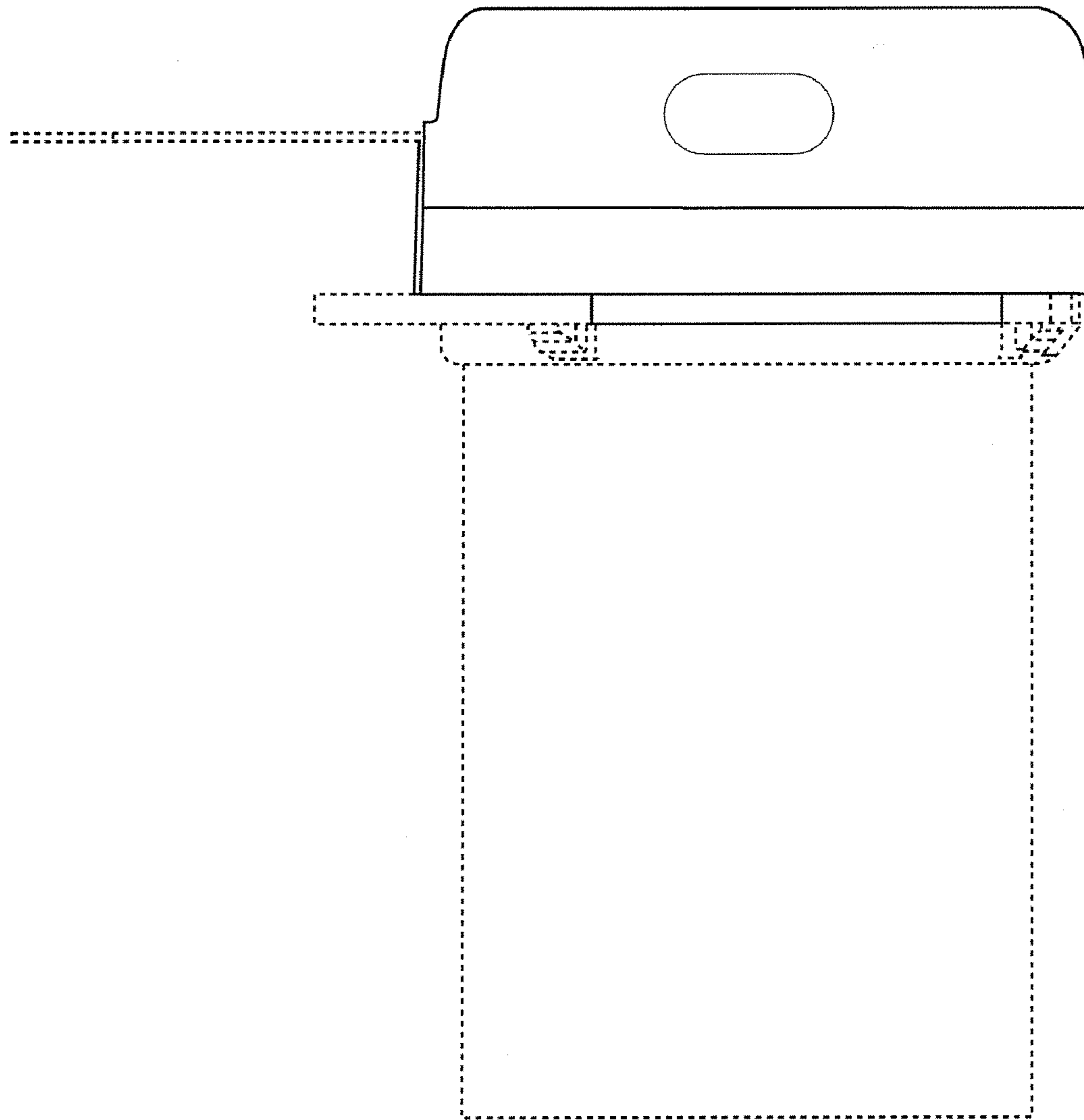


FIG. 4

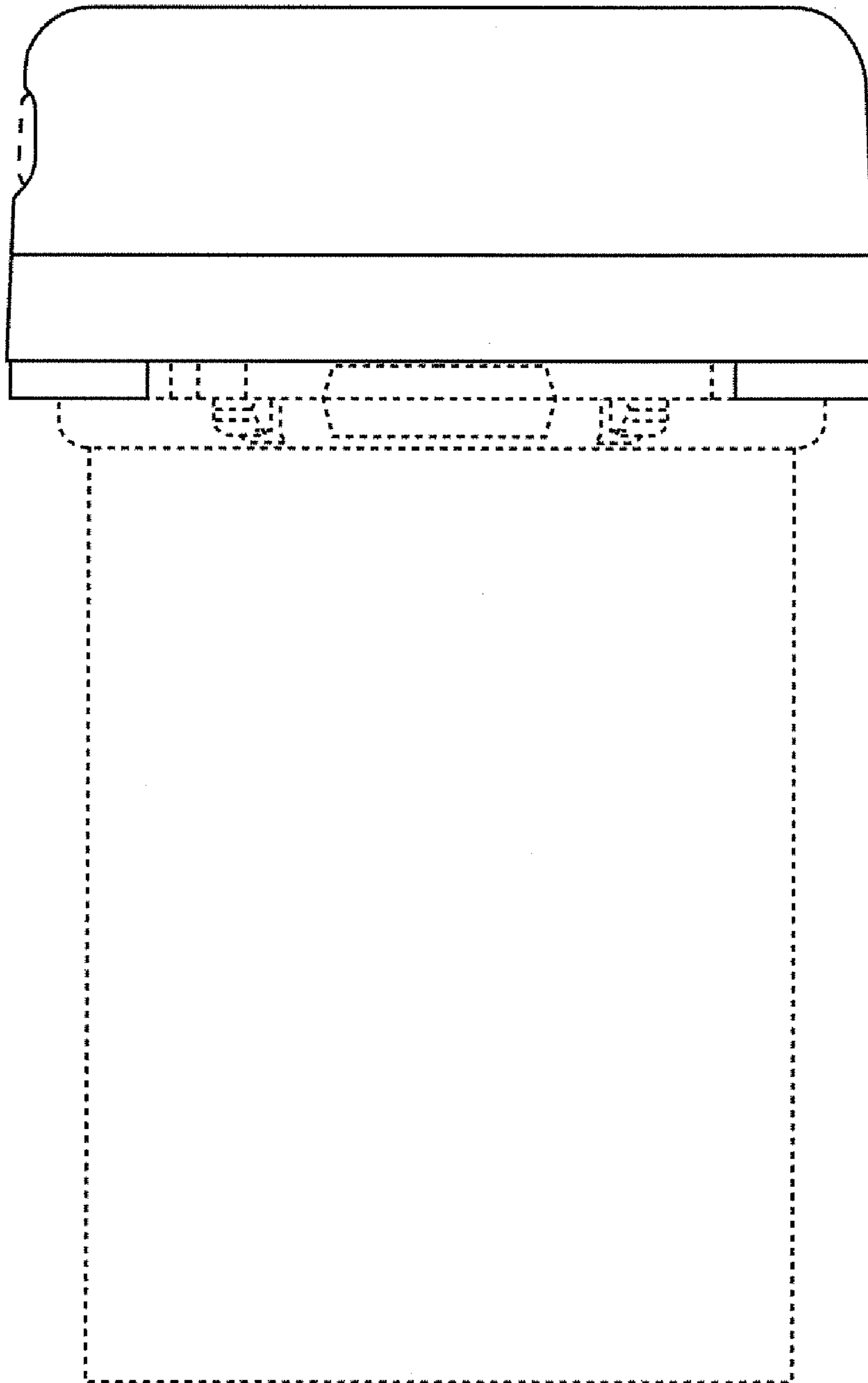


FIG. 5

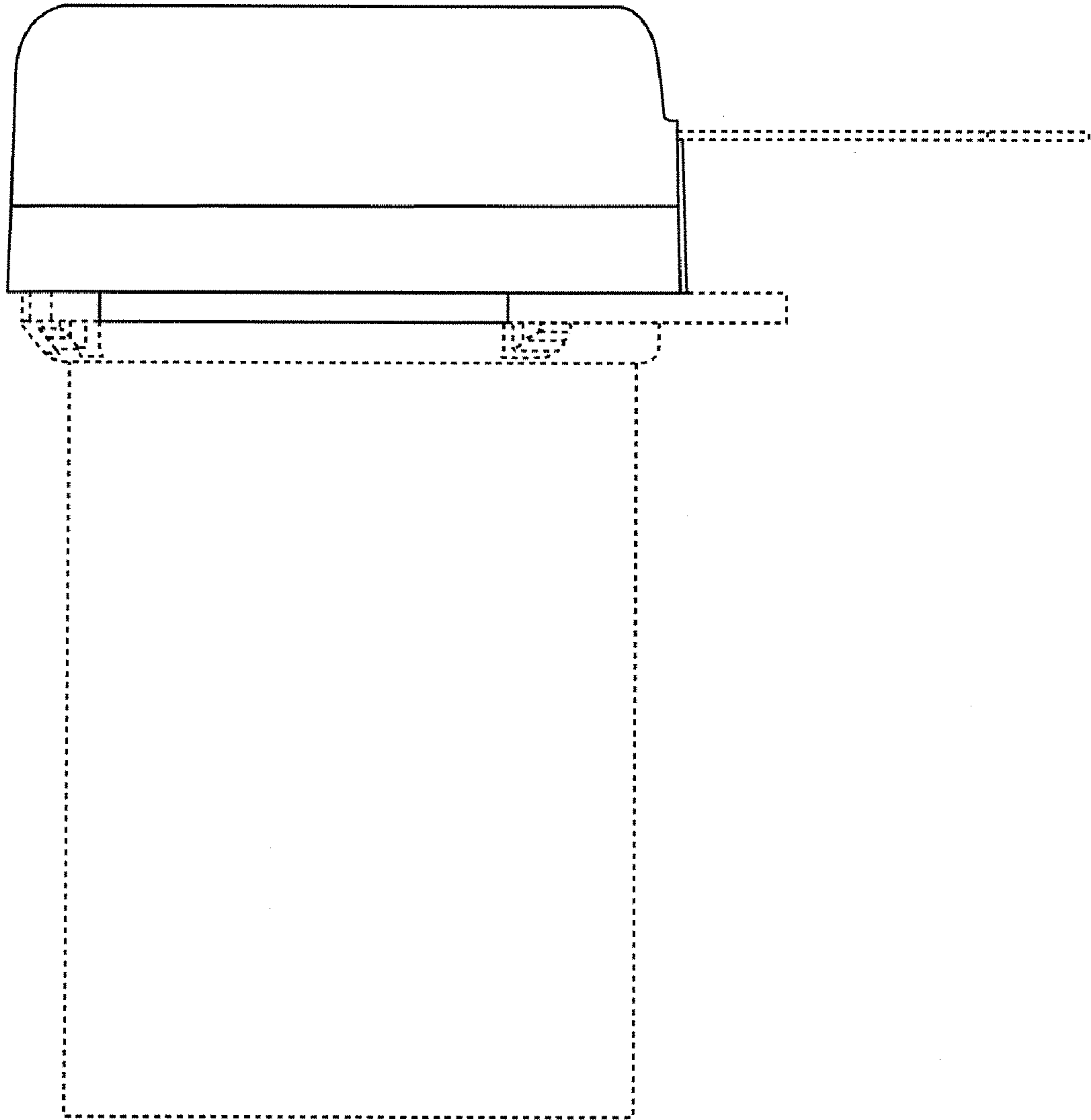


FIG. 6

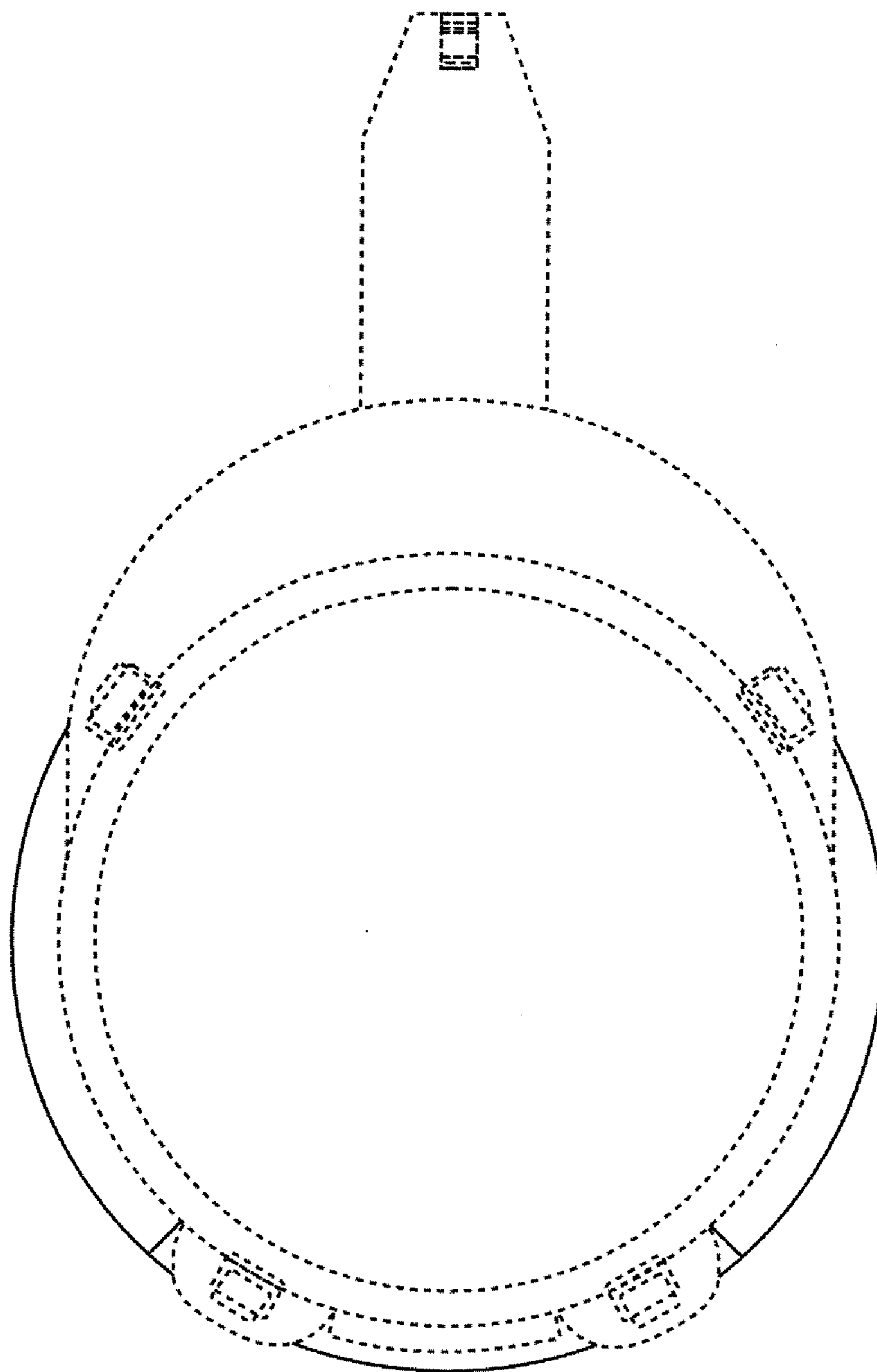


FIG. 7