



US00D561902S

(12) **United States Design Patent**  
**Fried**

(10) **Patent No.:** **US D561,902 S**

(45) **Date of Patent:** **\*\* Feb. 12, 2008**

(54) **ARM SLING**

(76) **Inventor:** **Scott Fried**, P.O. Box 186, 209  
Cathcart Rd., Gwynedd, PA (US) 19437

(\*\*) **Term:** **14 Years**

(21) **Appl. No.:** **29/252,972**

(22) **Filed:** **Jan. 30, 2006**

(51) **LOC (8) Cl.** ..... **24-04**

(52) **U.S. Cl.** ..... **D24/190**

(58) **Field of Classification Search** ..... D24/190-192;  
602/4, 20-21, 26-9, 65, 5-6; D3/221-6;  
224/158-9, 625, 664-5, 579, 585, 901.4,  
224/901.8; 5/630, 639, 640, 645

See application file for complete search history.

(56) **References Cited**

**U.S. PATENT DOCUMENTS**

3,256,880 A	6/1966	Caypinar	
3,745,998 A	7/1973	Rose	
3,815,588 A	6/1974	Klausner	
4,211,219 A	7/1980	Alvey	
4,598,701 A	7/1986	Schaefer	
4,751,923 A	6/1988	Marino	
4,836,195 A	6/1989	Berrehaul	
4,896,660 A	1/1990	Scott	
4,901,898 A	2/1990	Colombo	
D311,453 S	10/1990	Rice	
5,205,448 A	4/1993	Kester	
5,224,637 A	7/1993	Colombo	
D338,587 S *	8/1993	Harnish	..... D6/601
5,241,771 A	9/1993	Caustic	
5,292,042 A	3/1994	Yamaguchi et al.	
D350,025 S	8/1994	Rolle	
5,345,633 A *	9/1994	Harnish	..... 5/639
5,385,536 A	1/1995	Burkhead	
5,423,333 A	6/1995	Jensen et al.	
D365,636 S	12/1995	Kilbey	
5,492,256 A	2/1996	Ive	
D369,666 S *	5/1996	Lucero et al.	..... D24/183
D372,099 S	7/1996	Troy	
5,569,172 A	10/1996	Padden et al.	
5,586,706 A	12/1996	Ritzenheim	

5,657,912 A	8/1997	Nakayama	
5,665,058 A	9/1997	Young	
5,711,466 A	1/1998	Kataoka et al.	
5,772,617 A	6/1998	Lay	
5,830,165 A	11/1998	Rowe	
D408,628 S	4/1999	Fusco	
D408,989 S	5/1999	Miller	
D411,038 S *	6/1999	Fair et al.	..... D3/226
D411,659 S *	6/1999	Karton	..... D3/226

(Continued)

**FOREIGN PATENT DOCUMENTS**

GB 2100986 1/1983

**OTHER PUBLICATIONS**

Zimmer Catalog, General medical/surgical products, 1987, p. L9,  
2675 Zimfoam Shoulder Abduction Positioner.

*Primary Examiner*—Carol Rademaker

*Assistant Examiner*—Susan E Krakower

(74) *Attorney, Agent, or Firm*—Garcia-Zamor IP Law; Ruy  
M. Garcia-Zamor

(57) **CLAIM**

The ornamental design for an arm sling, as shown and  
described.

**DESCRIPTION**

FIG. 1 is a perspective view of an arm sling showing my new  
design;

FIG. 2 is a front elevational view thereof;

FIG. 3 is a right side elevational view thereof;

FIG. 4 is a left side elevational view thereof;

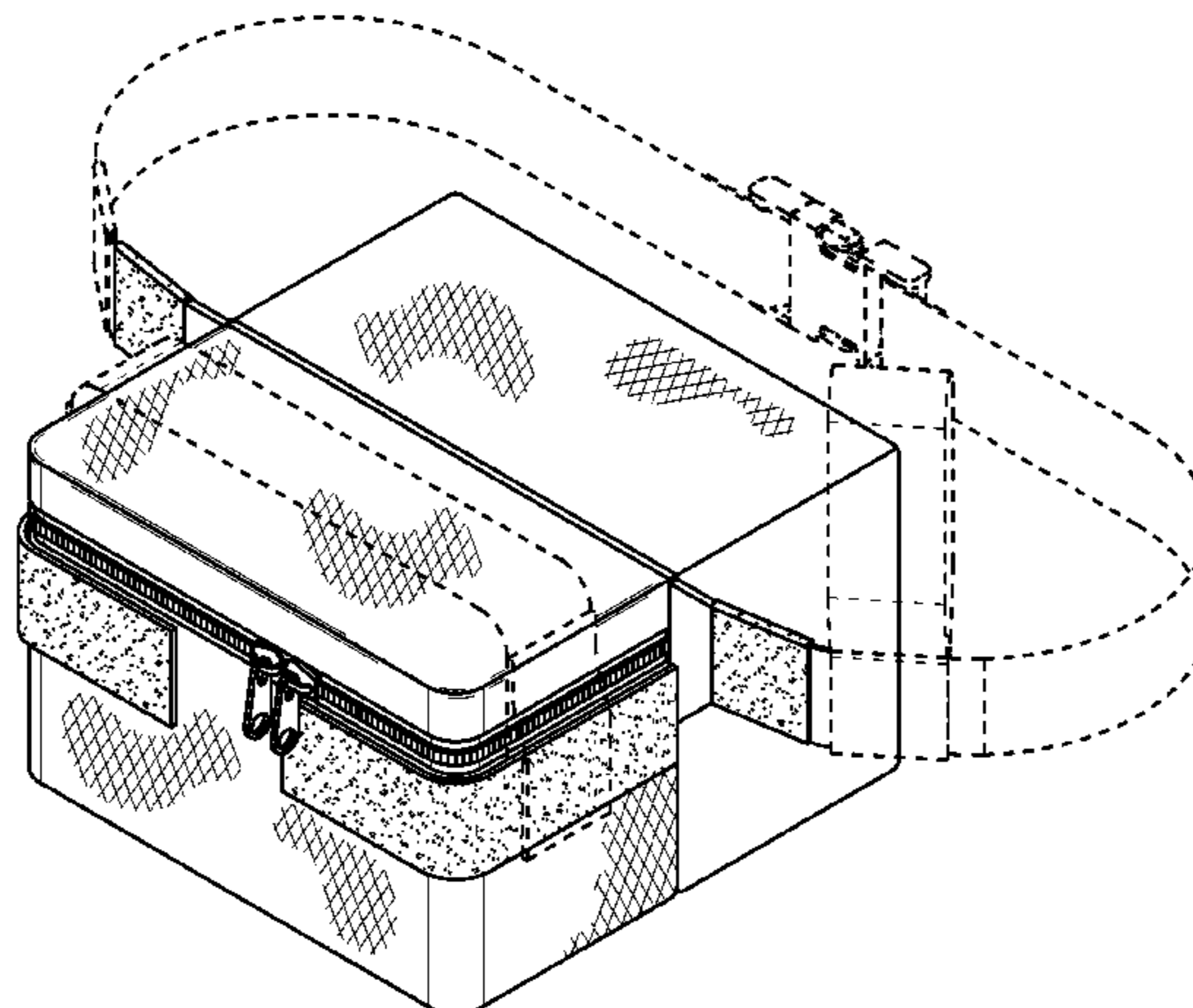
FIG. 5 is a rear elevational view thereof;

FIG. 6 is a top plan view thereof; and,

FIG. 7 is a bottom plan view thereof.

The broken lines in FIGS. 1-7 represent environment and  
are for illustrative purposes only and do not constitute part  
of the claimed design.

**1 Claim, 3 Drawing Sheets**



# US D561,902 S

Page 2

---

## U.S. PATENT DOCUMENTS

D419,291 S *	1/2000	Pugh .....	D3/226	D490,974 S *	6/2004	Wagner, II .....	D3/226
6,293,445 B1	9/2001	Miller		D514,224 S *	1/2006	Fried .....	D24/190
6,595,936 B1	7/2003	Oladipo		2005/0015033 A1	1/2005	Moore	

\* cited by examiner

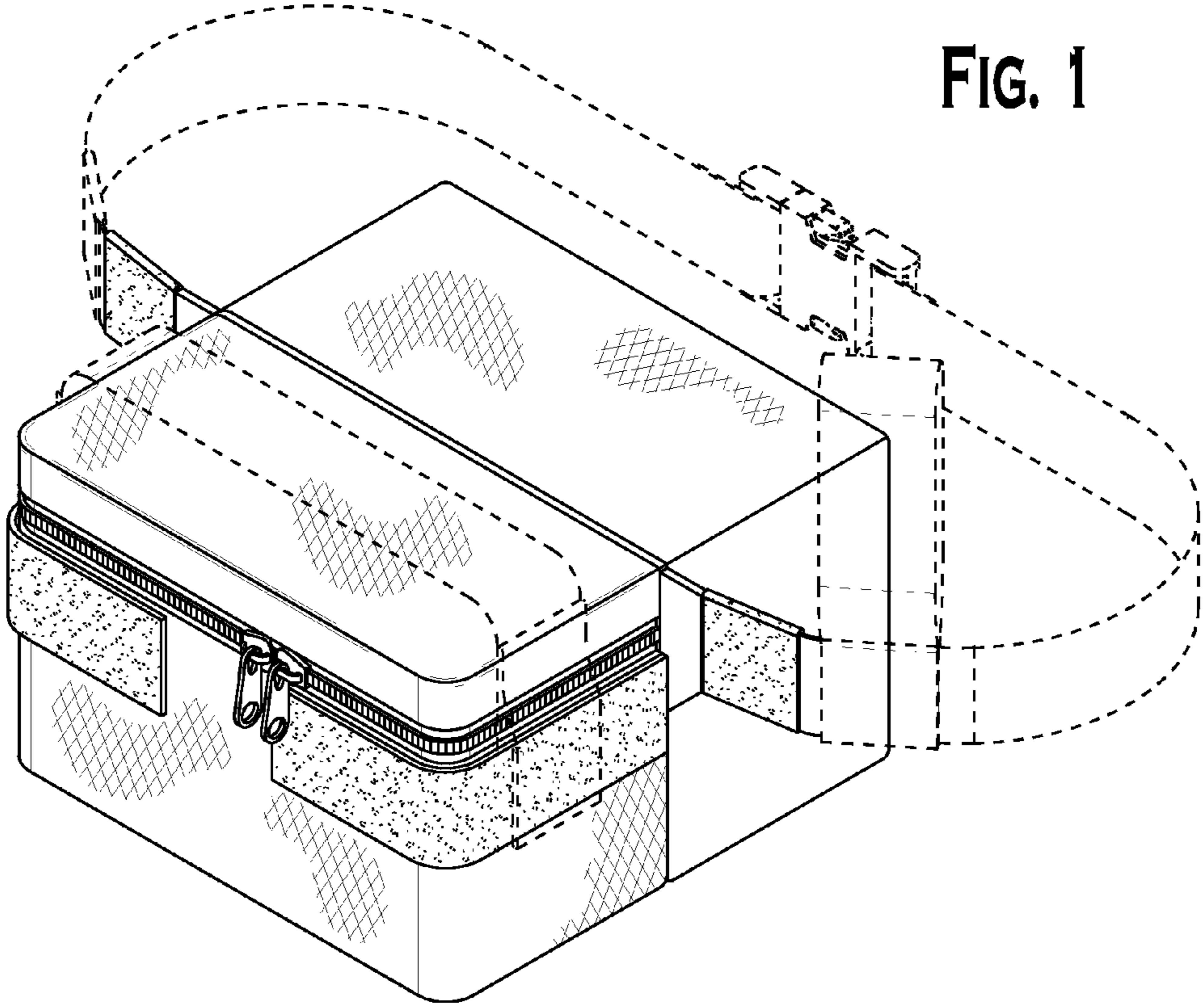


FIG. 1

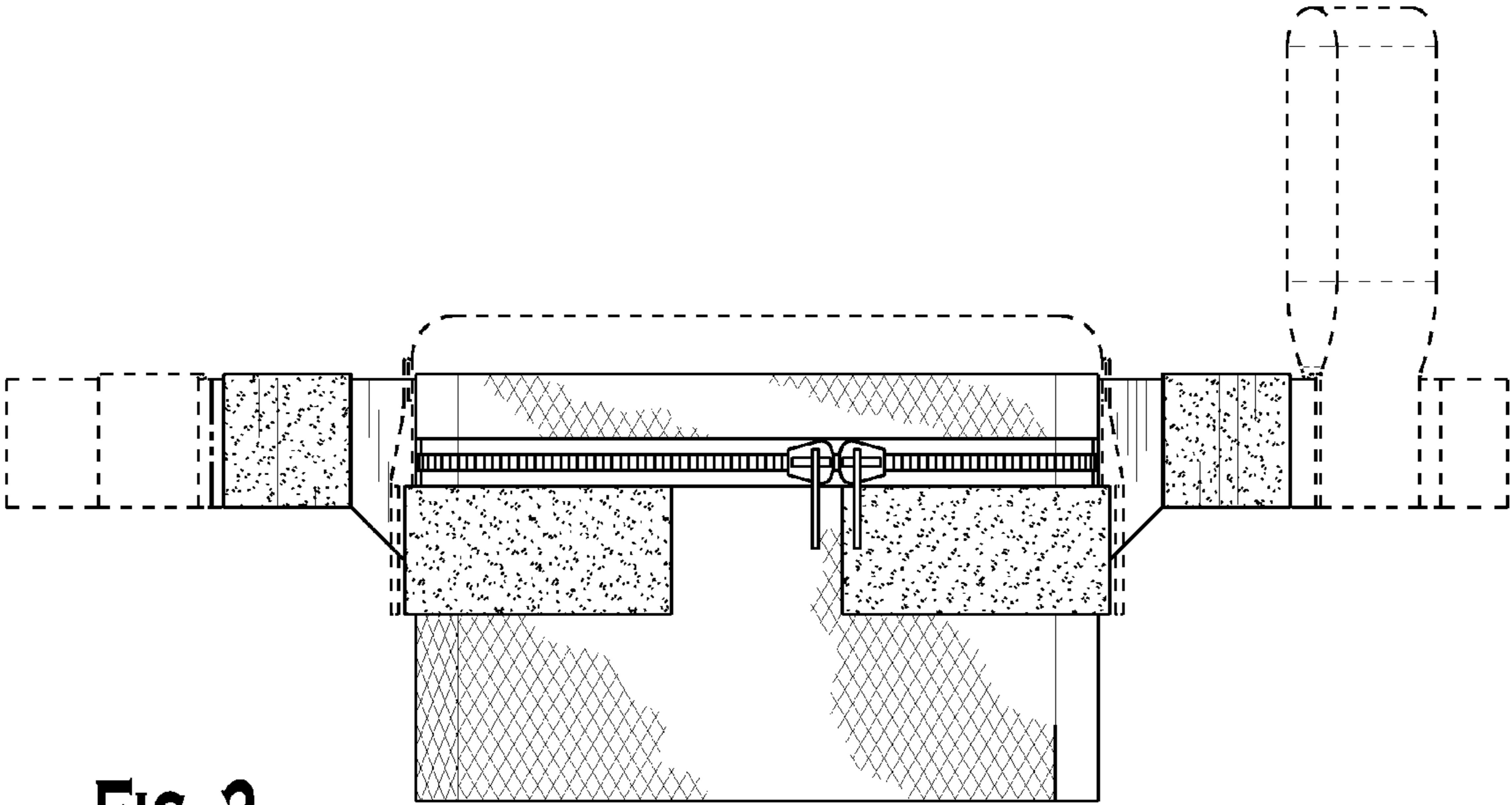


FIG. 2

FIG. 3

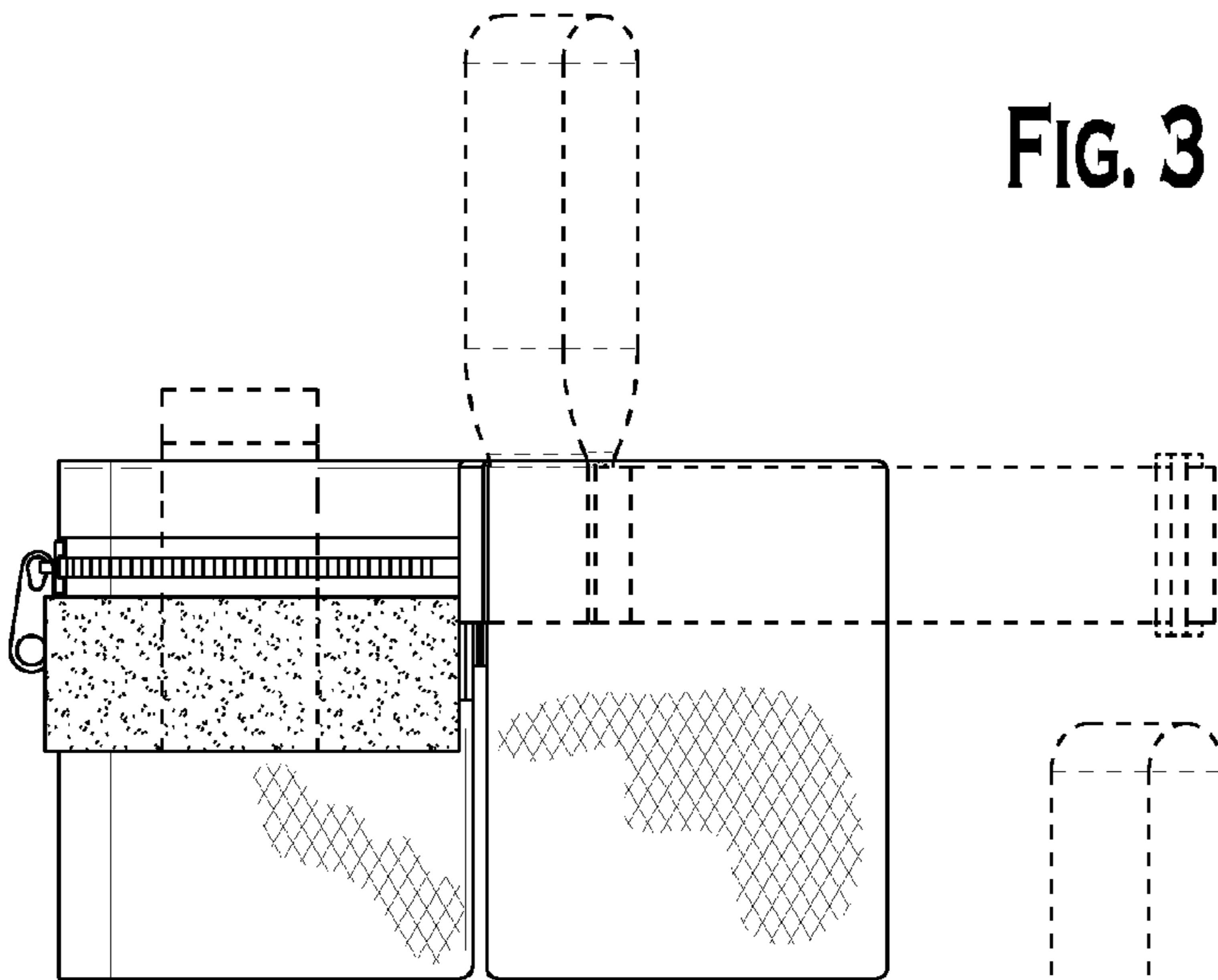


FIG. 4

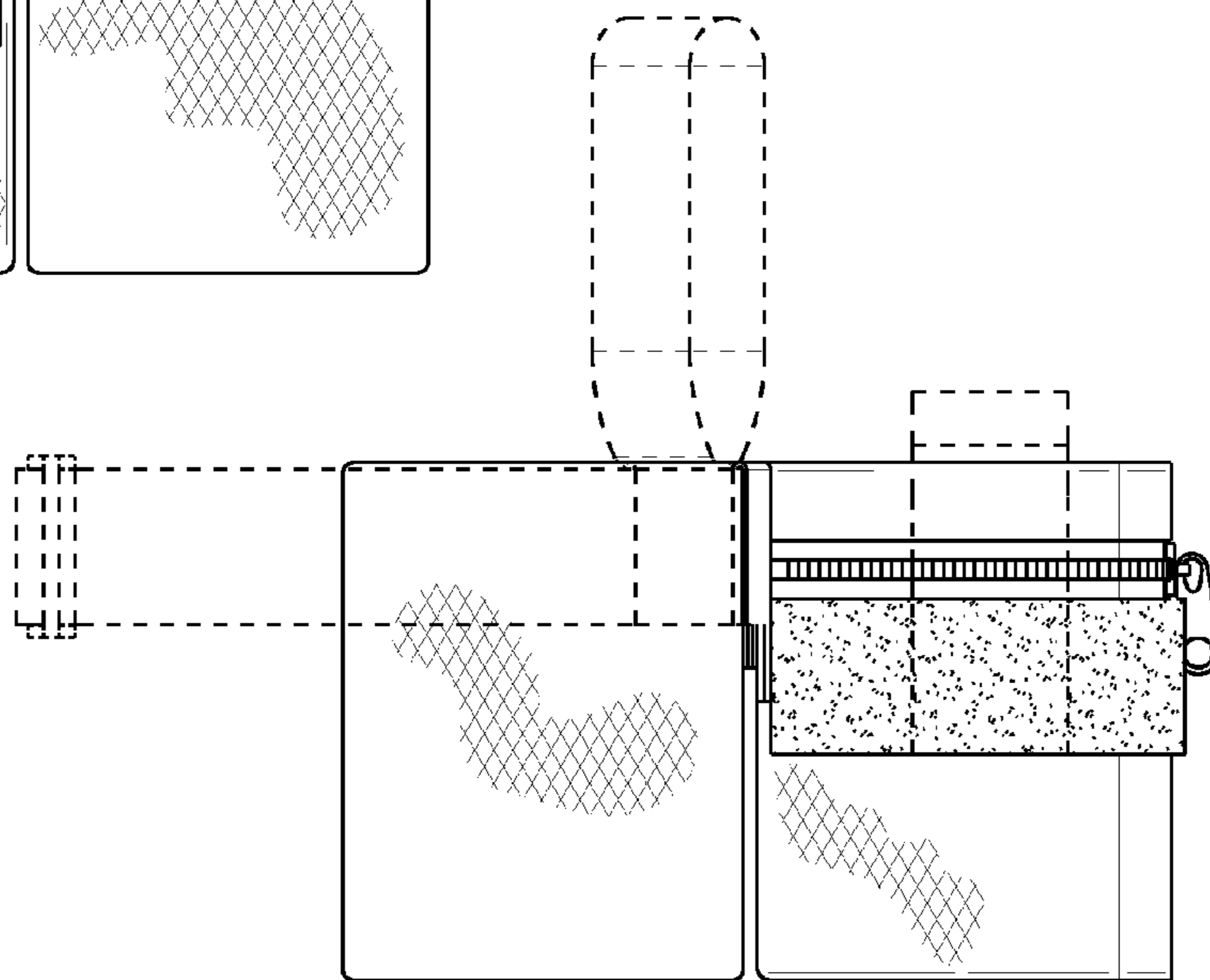


FIG. 5

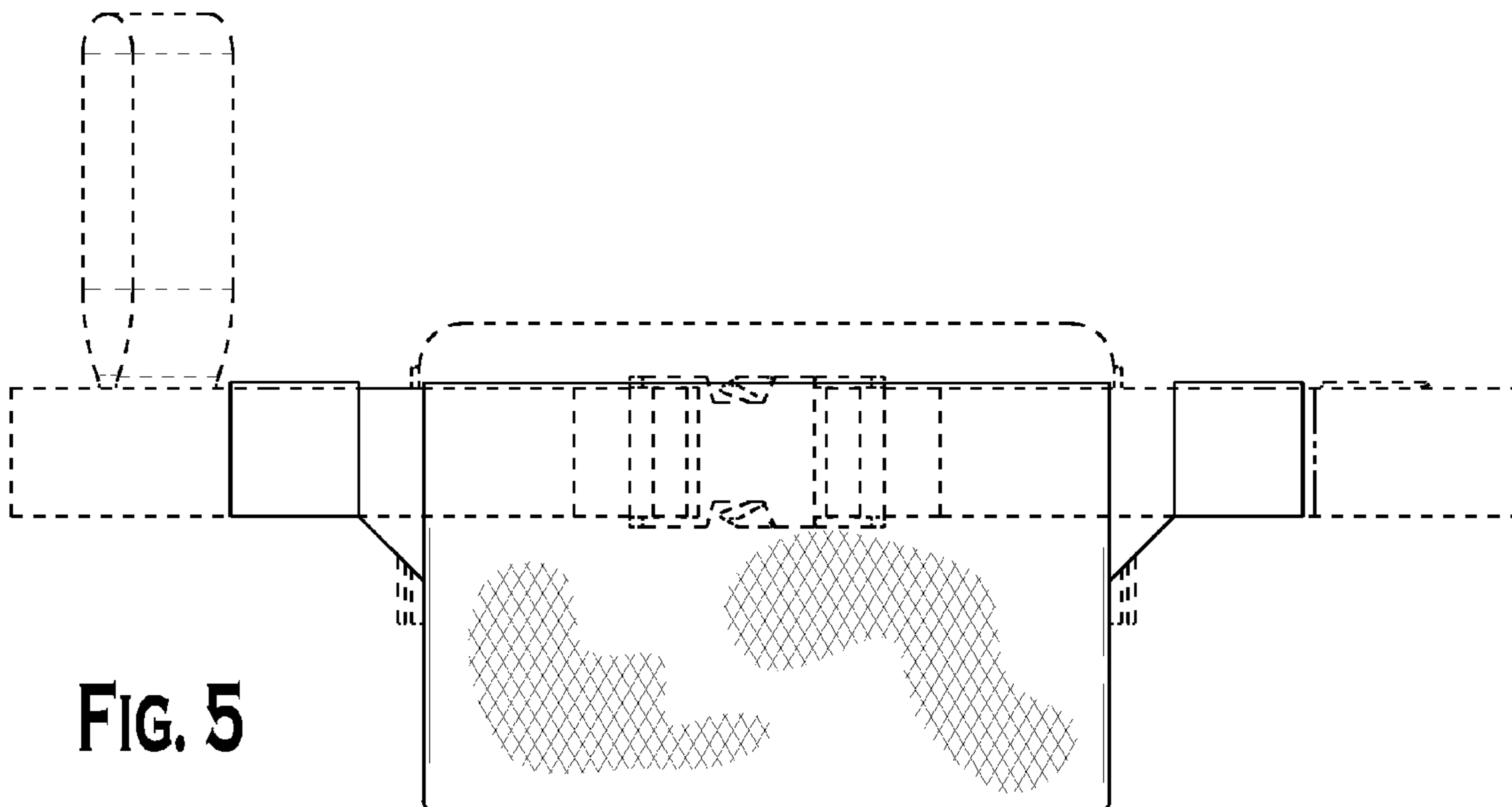




FIG. 6

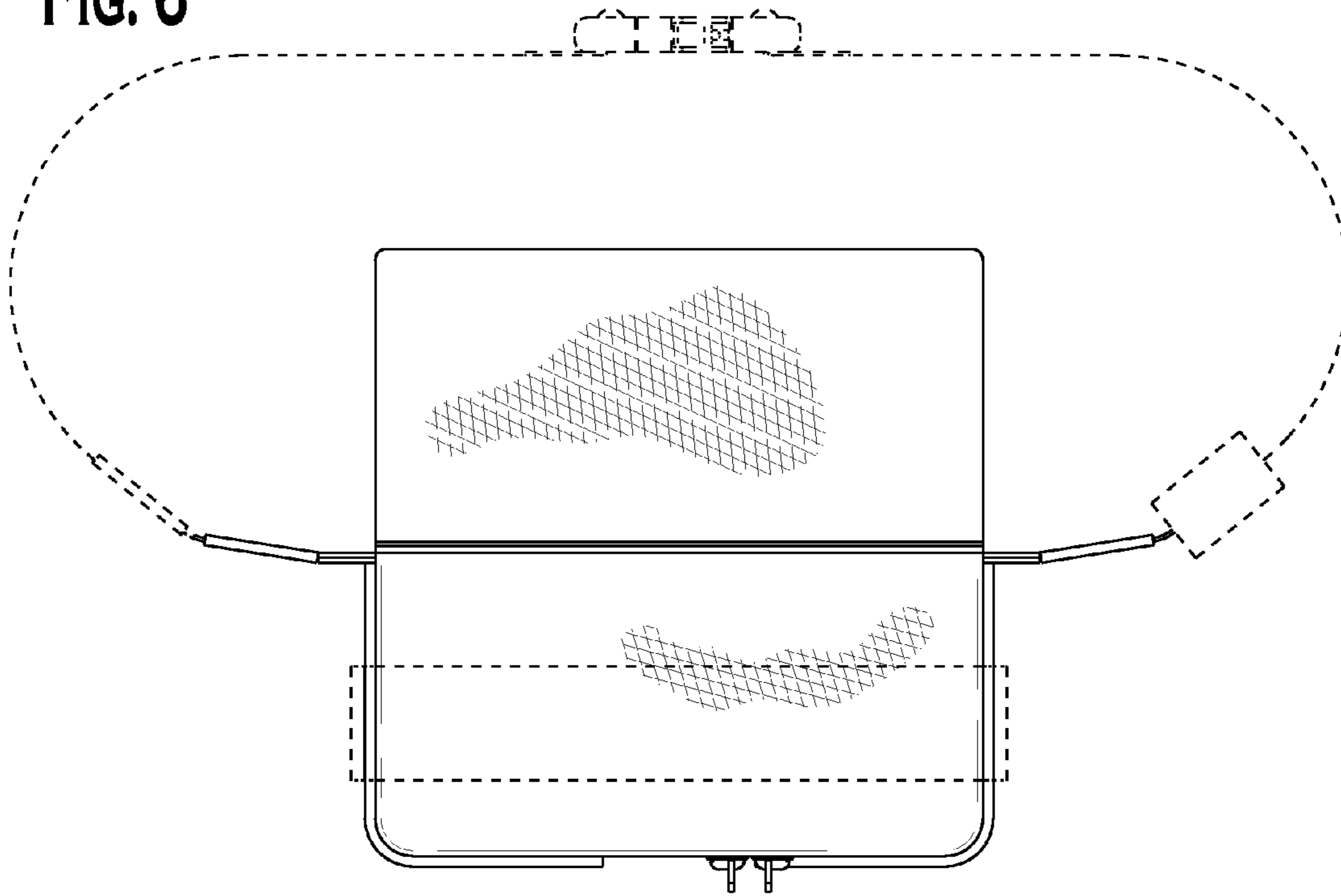


FIG. 7

