

US00D561897S

(12) **United States Design Patent**  
**Vijfvinkel**

(10) **Patent No.:** **US D561,897 S**

(45) **Date of Patent:** **\*\* Feb. 12, 2008**

(54) **CANNULA SET CONSISTING OF A  
CANNULA AND A TROCAR**

D443,360 S \* 6/2001 Haberland ..... D24/146

\* cited by examiner

(76) Inventor: **Gerrit Jan Vijfvinkel**, Oude Singel 2,  
3211 BA Geervliet (NL)

*Primary Examiner*—Ian Simmons

*Assistant Examiner*—Christopher Lee

(\*\*) Term: **14 Years**

(74) *Attorney, Agent, or Firm*—Merchant & Gould P.C.

(21) Appl. No.: **29/215,569**

(57) **CLAIM**

(22) Filed: **Oct. 21, 2004**

The ornamental design for a cannula set consisting of a  
cannula and a trocar, as shown and described.

(30) **Foreign Application Priority Data**

**DESCRIPTION**

Apr. 23, 2004 (EM) ..... 000166913-0001

FIG. 1 is a top and left side perspective view thereof;

(51) **LOC (8) Cl.** ..... **24-02**

FIG. 2 is an enlarged, detail perspective view of the end  
thereof;

(52) **U.S. Cl.** ..... **D24/146**

(58) **Field of Classification Search** ..... D24/146,  
D24/147, 114, 112, 130

FIG. 3 is a front, top and left side perspective view thereof  
with an end element attached;

See application file for complete search history.

FIG. 4 is an enlarged fragmented view of the front left view  
thereof with an end element attached; and,

(56) **References Cited**

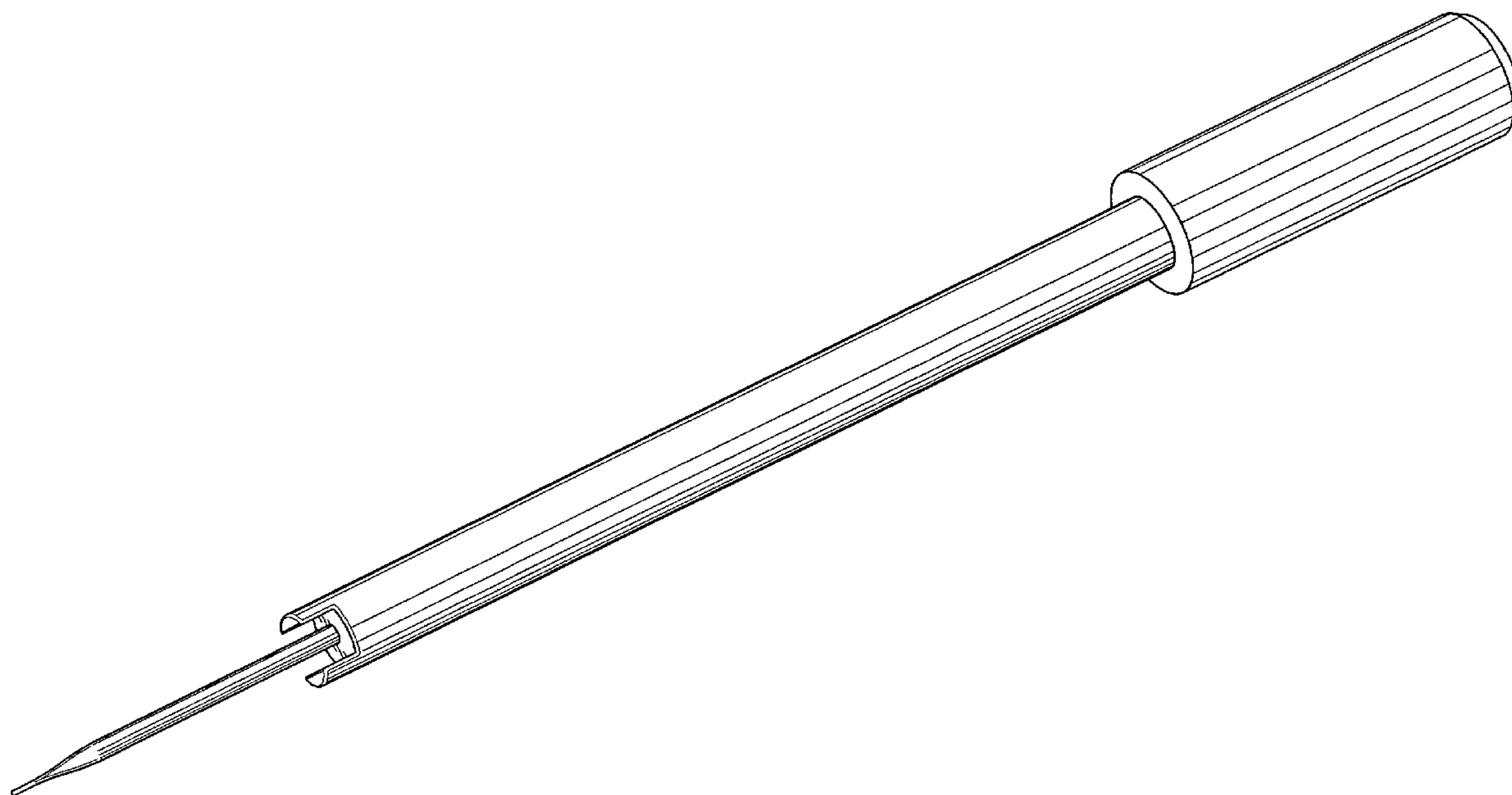
FIG. 5 is an enlarged fragmented perspective view of the  
front left end thereof with an end element attached.

**U.S. PATENT DOCUMENTS**

D362,066 S \* 9/1995 Petruschke et al. .... D24/146

D403,398 S \* 12/1998 Guala et al. .... D24/112

**1 Claim, 5 Drawing Sheets**



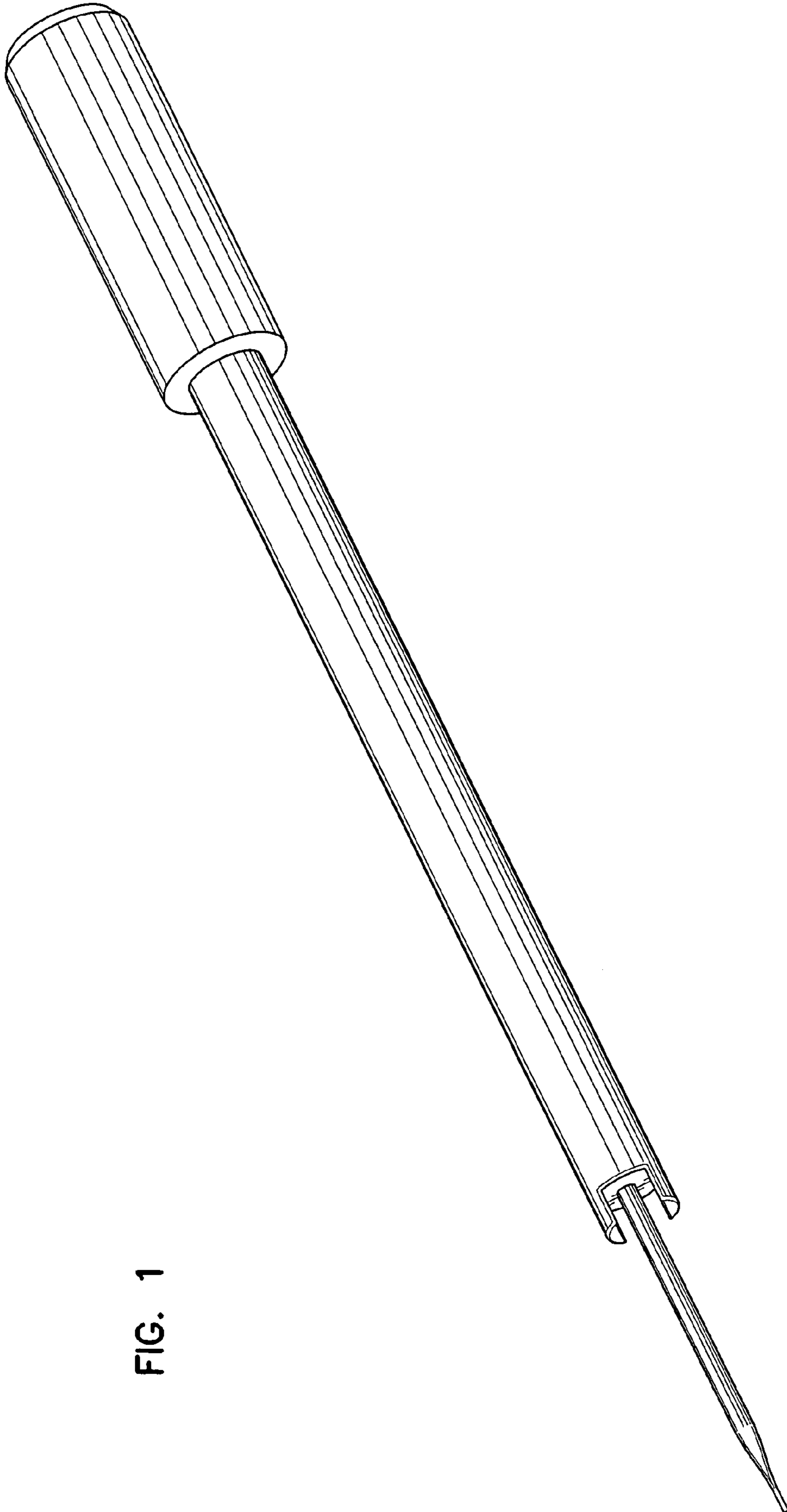
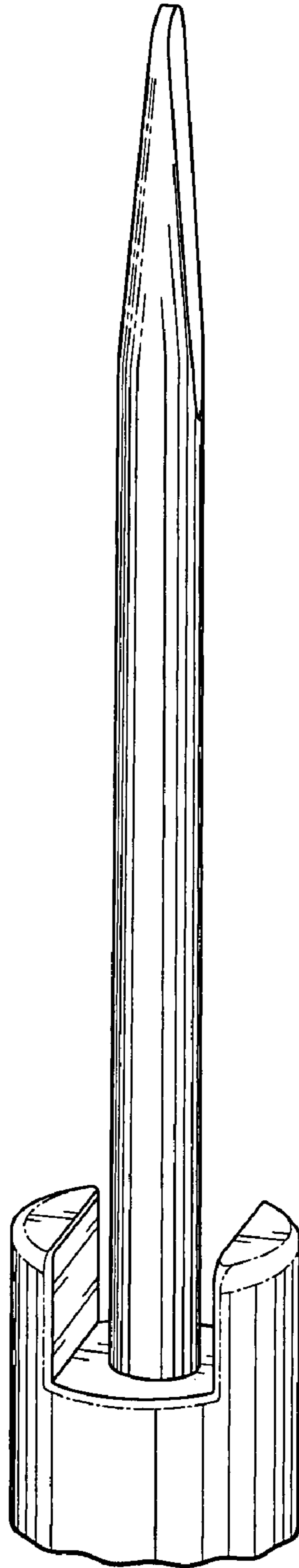


FIG. 1

FIG. 2



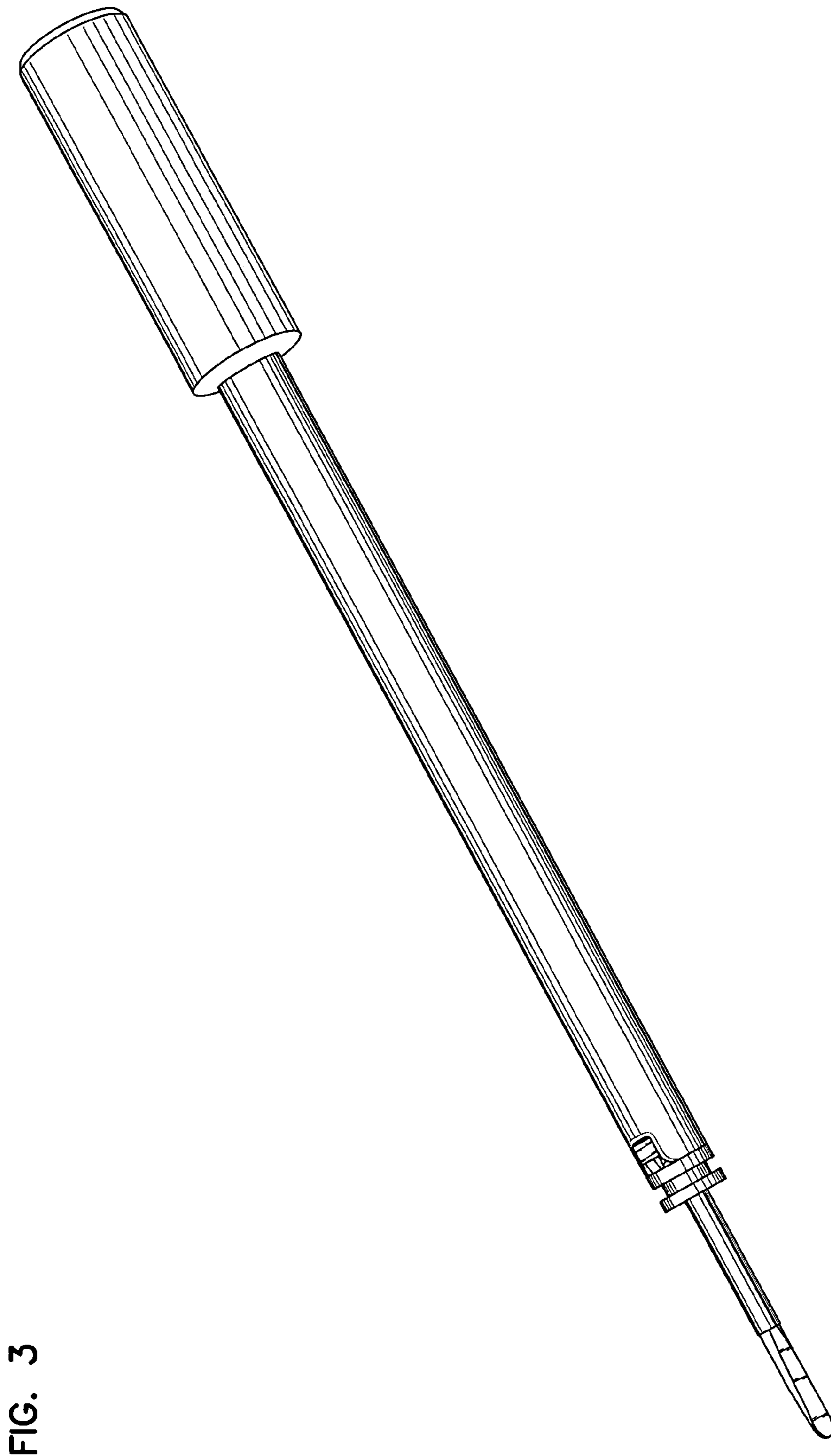


FIG. 3

FIG. 4

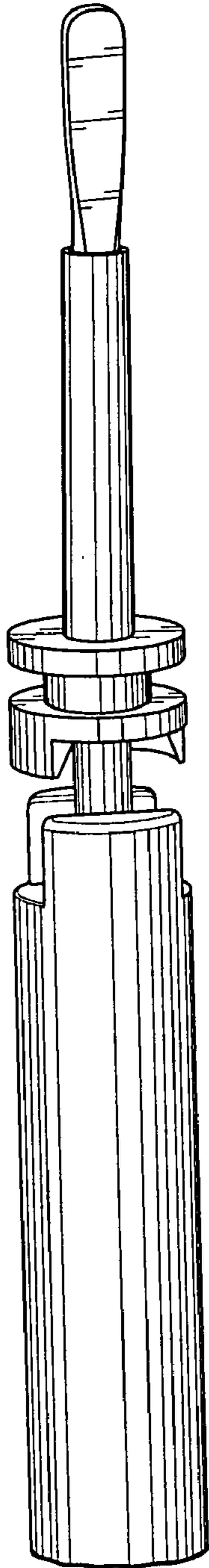


FIG. 5

