



US00D561894S

(12) **United States Design Patent**  
**Hudson**

(10) **Patent No.:** **US D561,894 S**

(45) **Date of Patent:** **\*\* Feb. 12, 2008**

(54) **INJECTION DEVICE**

(75) Inventor: **Christopher Hudson**, Oxfordshire  
(GB)

(73) Assignee: **Owen Mumford Limited**, Oxford (GB)

(\*\*) Term: **14 Years**

(21) Appl. No.: **29/258,766**

(22) Filed: **Apr. 27, 2006**

(51) **LOC (8) Cl.** ..... **24-02**

(52) **U.S. Cl.** ..... **D24/113**

(58) **Field of Classification Search** ..... D24/113,  
D24/112, 133, 114, 186, 104, 130; D19/51,  
D19/41, 43, 50, 57, 56, 55; 604/232, 187,  
604/132; 422/103; 606/181, 185  
See application file for complete search history.

(56) **References Cited**

**U.S. PATENT DOCUMENTS**

5,393,497	A *	2/1995	Haber et al. ....	422/103
5,720,729	A *	2/1998	Kriesel .....	604/132
D399,951	S *	10/1998	Drach .....	D24/112
D401,324	S *	11/1998	Hjertman et al. ....	D24/114
D422,356	S *	4/2000	Marano et al. ....	D24/114
D422,359	S *	4/2000	Fitch et al. ....	D24/133

D428,651	S *	7/2000	Andersson et al. ....	D24/112
D429,812	S *	8/2000	Hjertman et al. ....	D24/114
D430,666	S *	9/2000	Cseke et al. ....	D24/130
6,120,481	A *	9/2000	Rennert et al. ....	604/187
D440,658	S *	4/2001	Wilkinson et al. ....	D24/130
6,364,889	B1 *	4/2002	Kheiri et al. ....	606/181
D469,865	S *	2/2003	Bar-Or .....	D24/133

\* cited by examiner

*Primary Examiner*—Ian Simmons

*Assistant Examiner*—David G Muller

(74) *Attorney, Agent, or Firm*—Young & Thompson

(57) **CLAIM**

The ornamental design for an injection device, as shown.

**DESCRIPTION**

FIG. 1 is a perspective view of an injection device showing my new design;

FIG. 2 is a top view thereof;

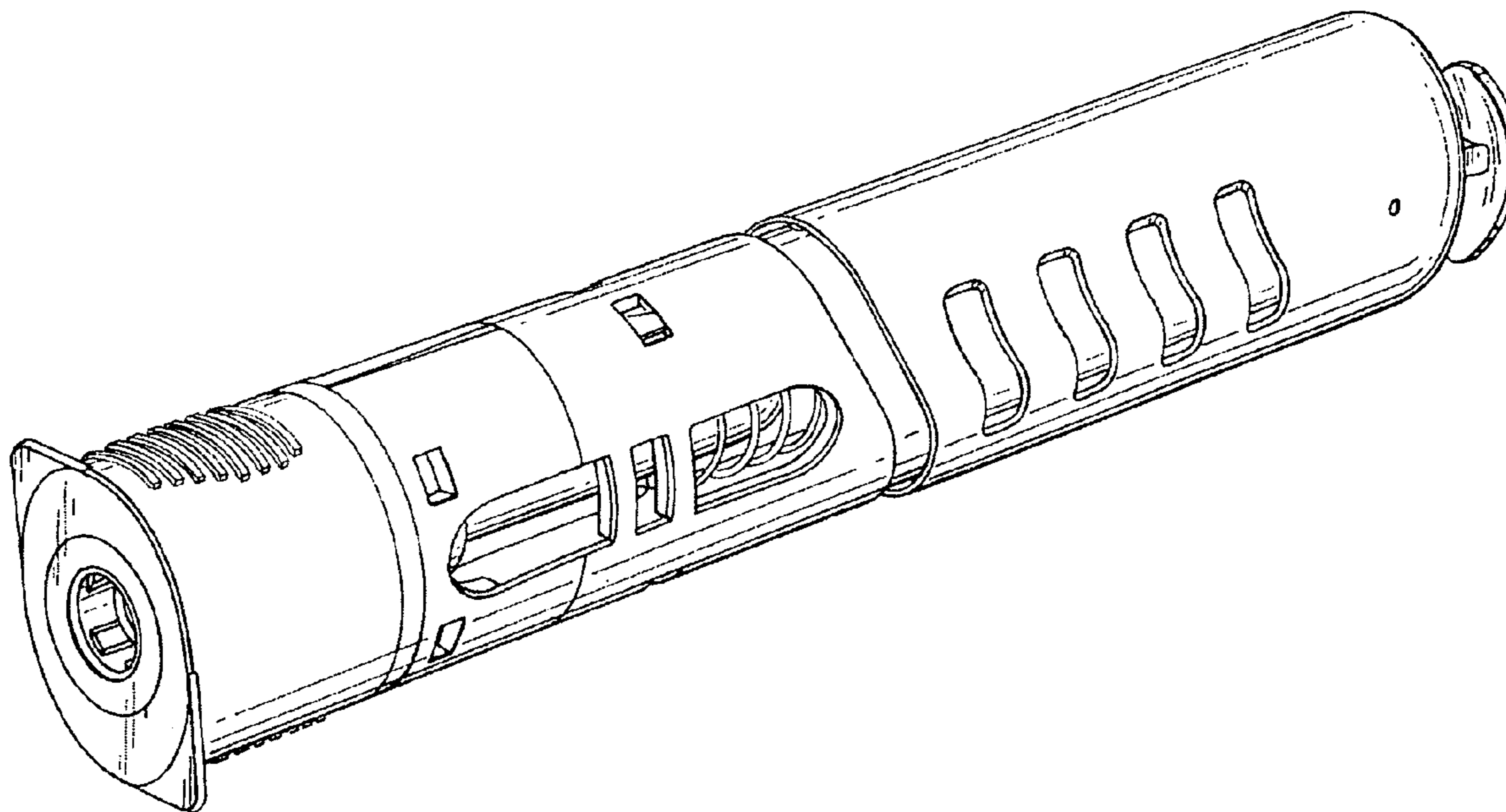
FIG. 3 is a view on the left side thereof;

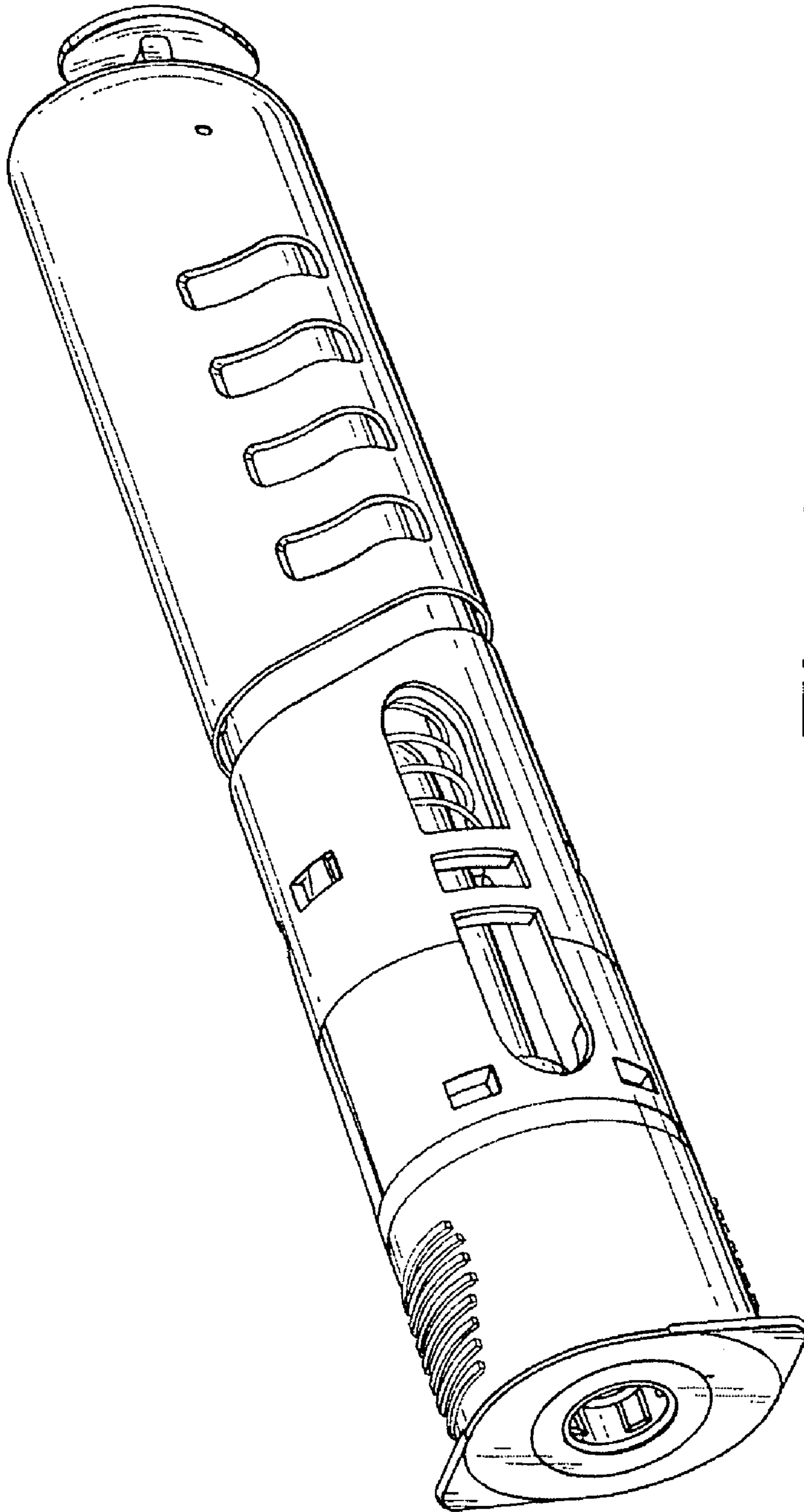
FIG. 4 is a bottom view thereof;

FIG. 5 is a front end view thereof; and,

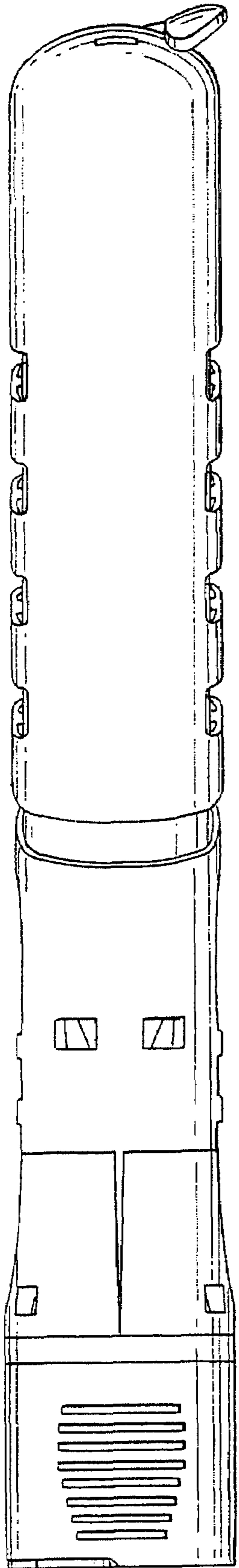
FIG. 6 is a rear end view thereof.

**1 Claim, 3 Drawing Sheets**

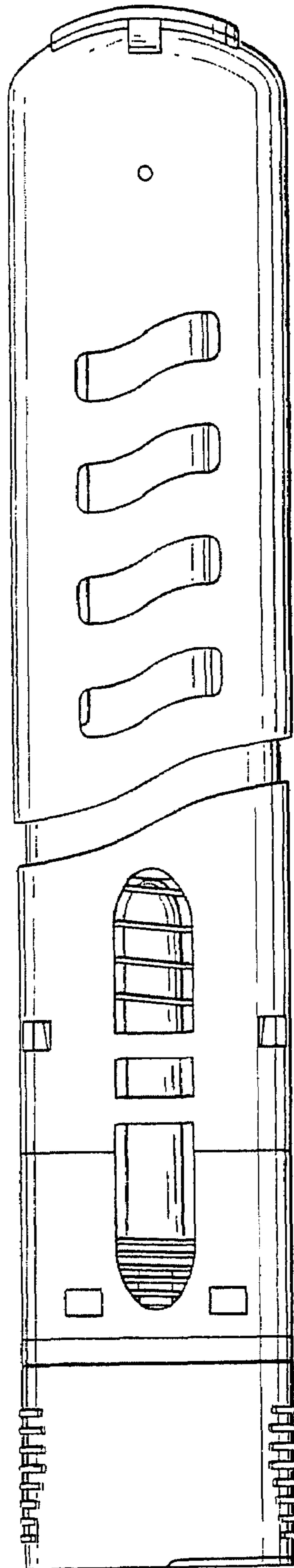




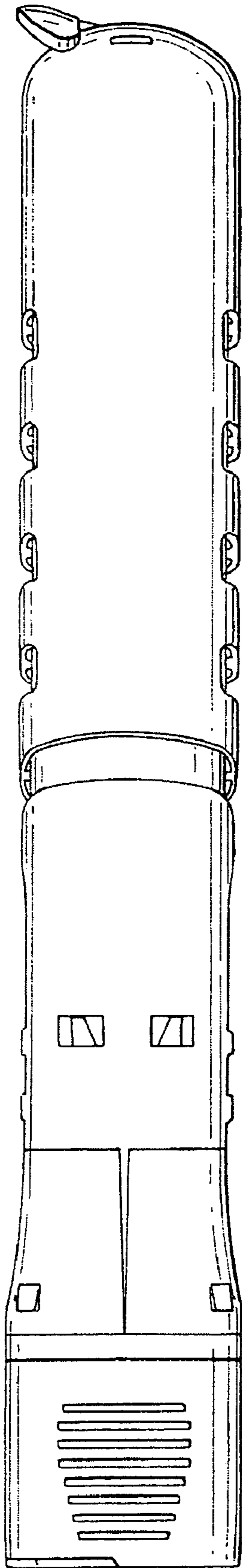
*Fig. 1*



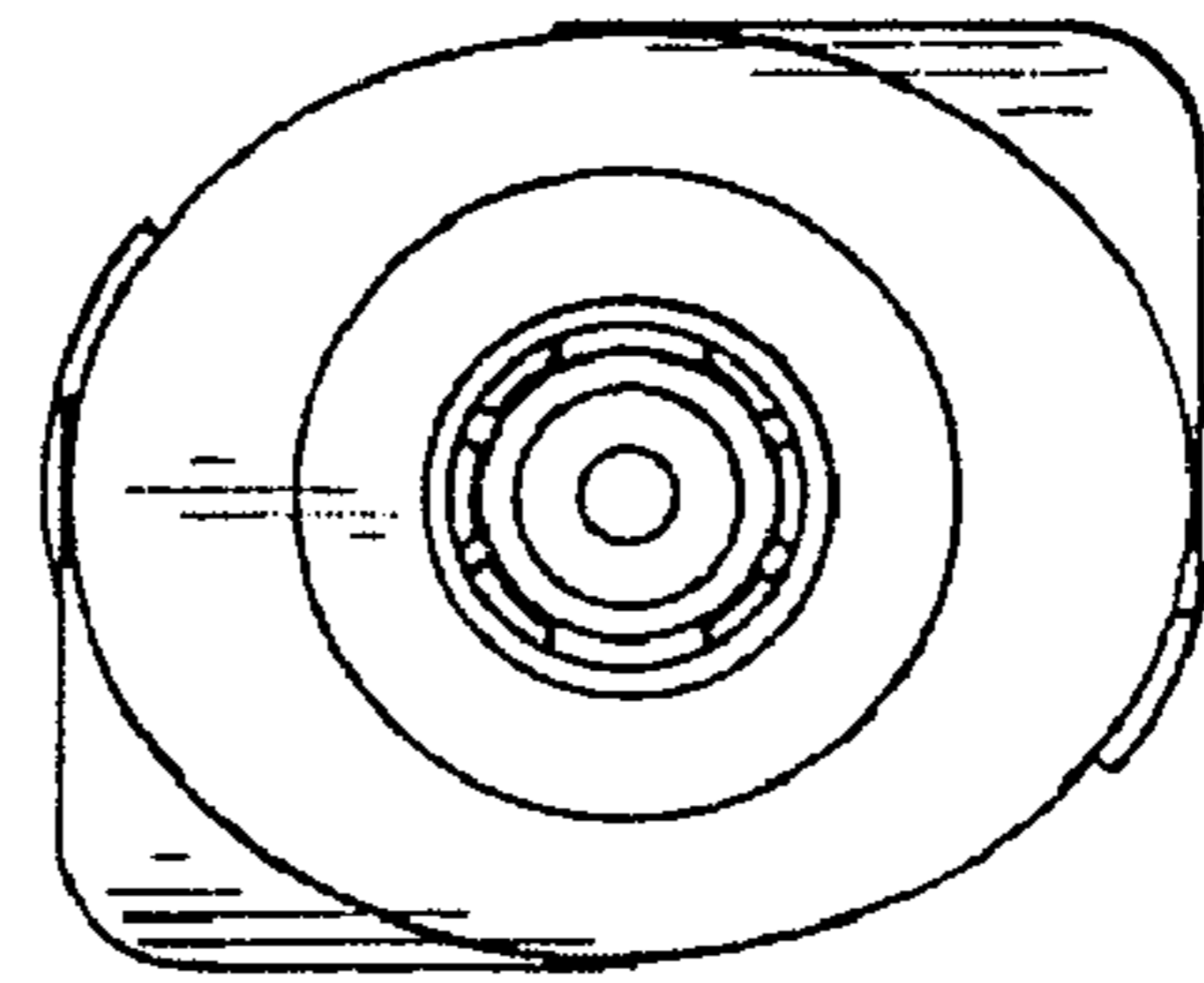
*Fig. 2*



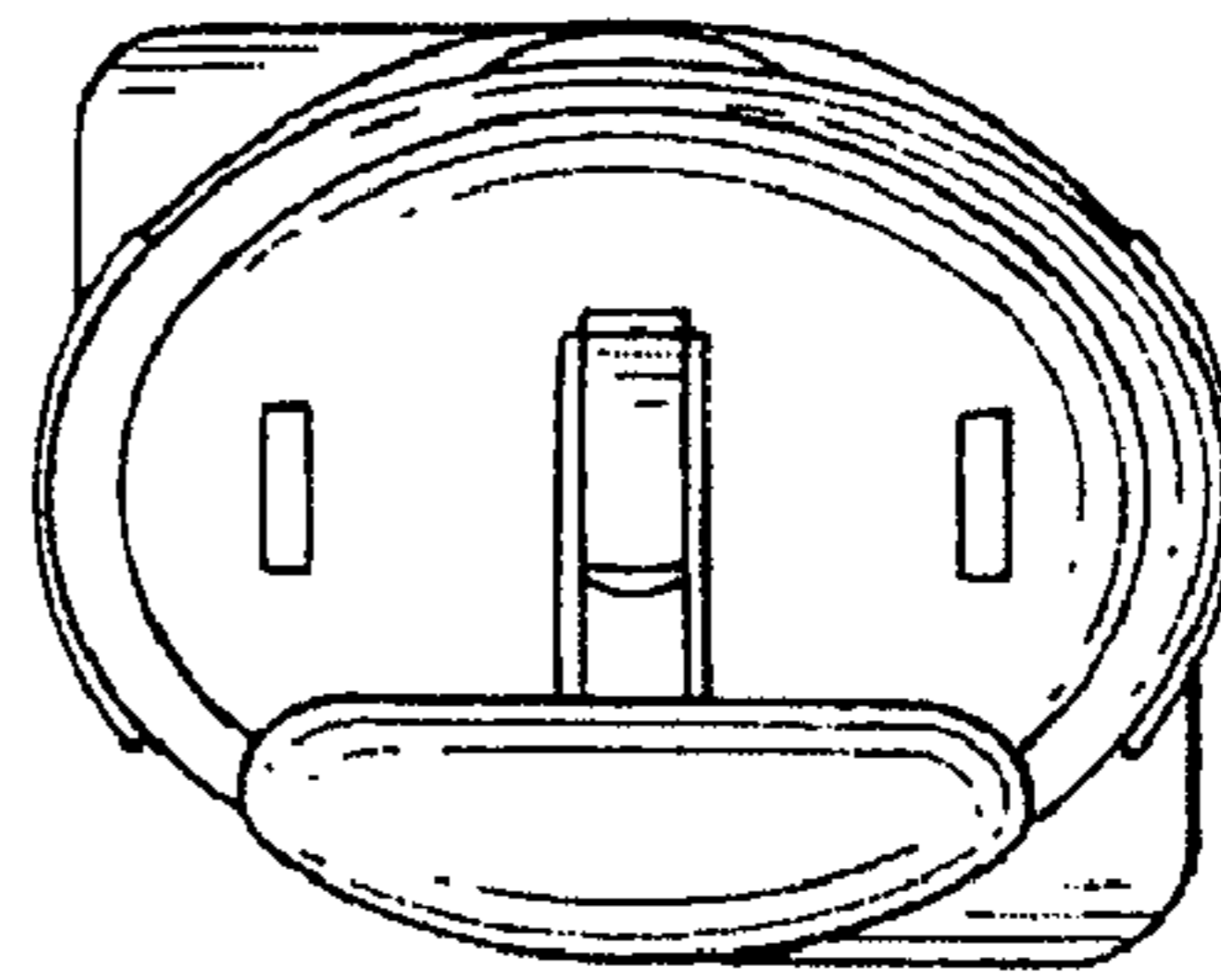
*Fig. 3*



*Fig. 4*



*Fig. 5*



*Fig. 6*