



US00D561892S

(12) **United States Design Patent** (10) **Patent No.:** **US D561,892 S**
Amarasinghe (45) **Date of Patent:** **** Feb. 12, 2008**

(54) **PORTION OF HEADGEAR**

2003/0051732 A1 3/2003 Smith et al.
 2004/0112377 A1* 6/2004 Amarasinghe et al. . 128/201.22

(75) Inventor: **Amal Shirley Amarasinghe**, West Pennant Hills (AU)

FOREIGN PATENT DOCUMENTS

(73) Assignee: **ResMed Limited**, Bella Vista (AU)

DE 19947722 4/2001
 JP 10-314307 12/1998
 WO WO 02/47749 6/2002

(**) Term: **14 Years**

OTHER PUBLICATIONS

(21) Appl. No.: **29/266,817**

U.S. Appl. No. 29/220,534, filed Jan. 2005, Amarasinghe.
 U.S. Appl. No. 29/220,536, filed Jan. 2005, Amarasinghe.

(22) Filed: **Sep. 29, 2006**

* cited by examiner

Related U.S. Application Data

(63) Continuation of application No. 29/220,534, filed on Jan. 3, 2005, now Pat. No. Des. 532,511.

Primary Examiner—Ian Simmons

Assistant Examiner—Christopher Lee

(74) *Attorney, Agent, or Firm*—Nixon & Vanderhye P.C.

(51) **LOC (8) Cl.** **29-02**

(52) **U.S. Cl.** **D24/110.1**

(58) **Field of Classification Search** D24/110, D24/110.1; 128/207.11, 207.17, 201.19, 128/206.24, 205.25; 2/173

See application file for complete search history.

(57) **CLAIM**

The ornamental design for a portion of headgear, as shown and described.

DESCRIPTION

FIG. 1 is a perspective view of headgear for use with a respiratory mask assembly;

FIG. 2 is a front view thereof; and,

FIG. 3 is a rear view thereof.

A portion of headgear shown in FIGS. 1–3 is shown in its pre-use condition.

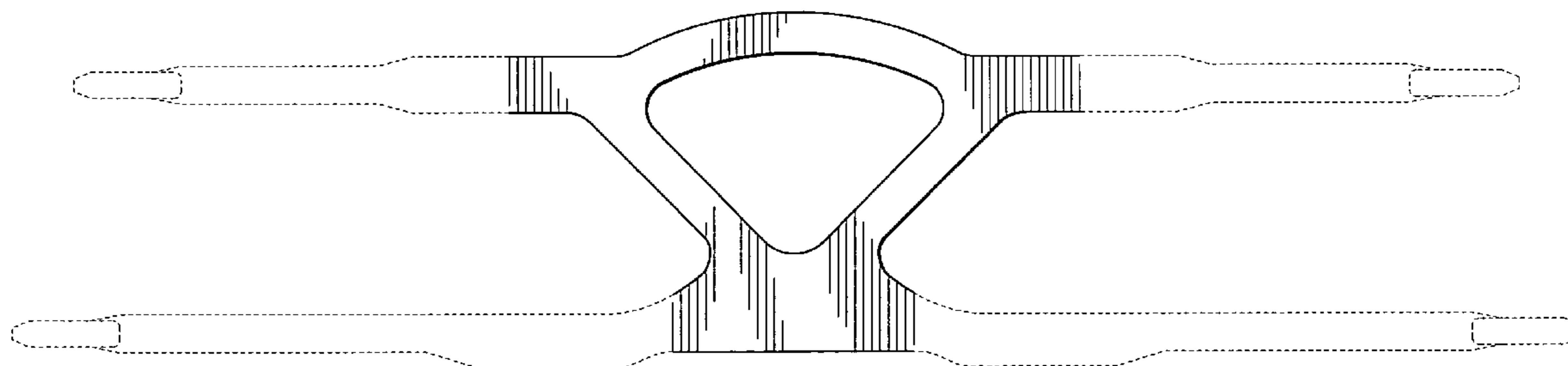
Where included, broken lines showing environment or structure are for illustrative purposes only and form no part of the claimed design.

(56) **References Cited**

U.S. PATENT DOCUMENTS

3,457,564 A 7/1969 Holloway
 D335,367 S 5/1993 Mieskoski
 5,542,128 A 8/1996 Lomas
 D383,204 S 9/1997 Lomas
 6,119,693 A 9/2000 Kwok et al.
 D440,652 S 4/2001 Pollard
 6,422,238 B1* 7/2002 Lithgow 128/207.11
 6,701,927 B2 3/2004 Kwok et al.
 D496,726 S* 9/2004 Amarasinghe et al. .. D24/110.1
 6,796,308 B2* 9/2004 Gunaratnam et al. .. 128/206.24

1 Claim, 2 Drawing Sheets



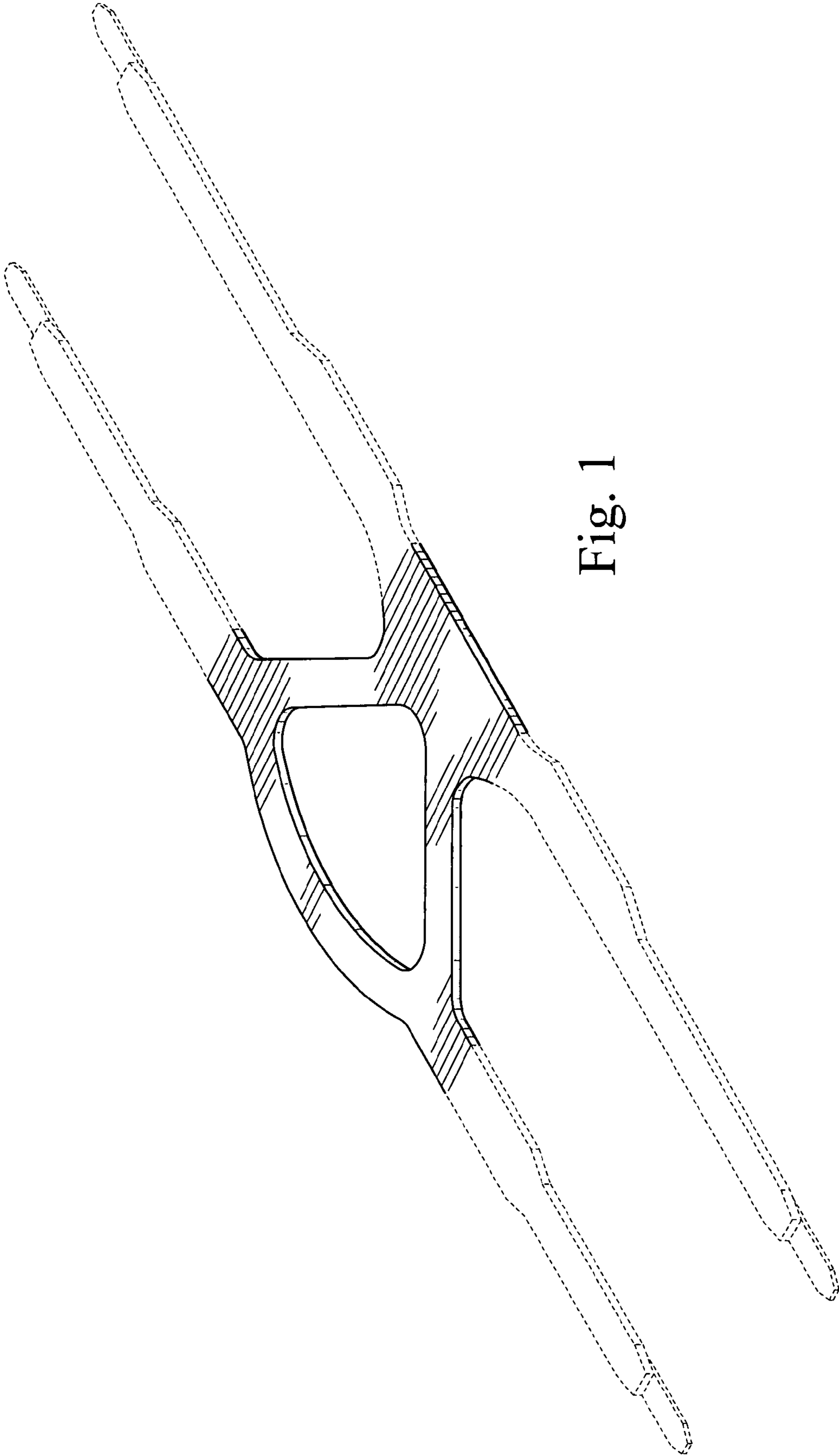


Fig. 1

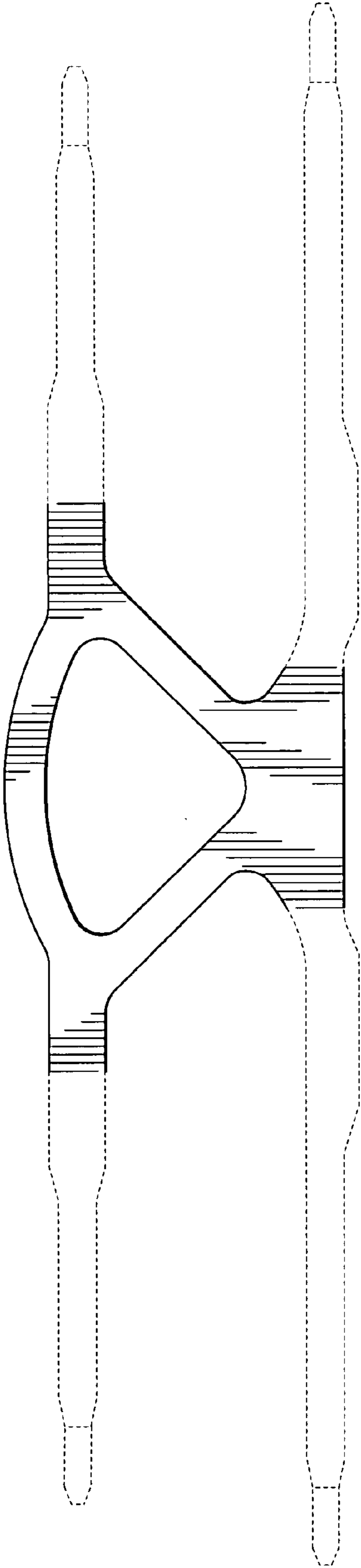


Fig. 2

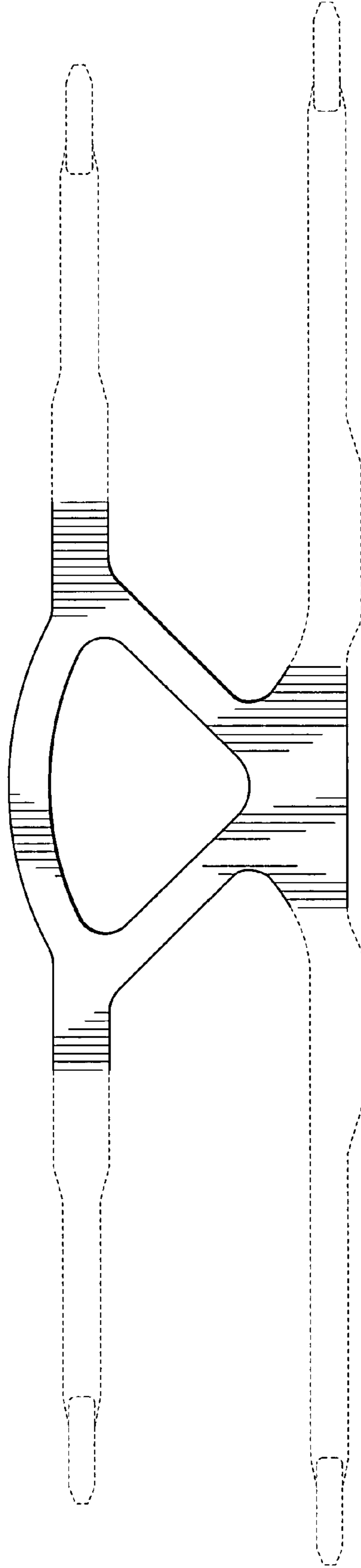


Fig. 3