

US00D561890S

(12) **United States Design Patent**  
**Lithgow et al.**

(10) **Patent No.:** **US D561,890 S**  
(45) **Date of Patent:** **\*\* Feb. 12, 2008**

(54) **HUMIDIFIER FOR A FLOW GENERATOR**

(75) Inventors: **Perry David Lithgow**, Glenwood (AU); **John Michael Snow**, Cremorne (AU); **Dan Kao**, Chatswood (AU)

(73) Assignee: **ResMed Limited**, Bella Vista (AU)

(\*\*) Term: **14 Years**

(21) Appl. No.: **29/274,233**

(22) Filed: **Apr. 6, 2007**

**Related U.S. Application Data**

(62) Division of application No. 29/236,349, filed on Aug. 15, 2005, now Pat. No. Des. 550,349.

(51) **LOC (8) Cl.** ..... **29-02**

(52) **U.S. Cl.** ..... **D24/110**

(58) **Field of Classification Search** ..... D24/110, D24/164; D23/356, 358; 128/200.24, 200.23, 128/200.18, 200.22, 200.16, 204.14, 203.16, 128/203.17, 204.18, 204.23

See application file for complete search history.

(56) **References Cited**

**U.S. PATENT DOCUMENTS**

D421,298 S 2/2000 Kenyon  
D427,675 S 7/2000 Hansel  
D467,335 S 12/2002 Lithgow  
D468,011 S 12/2002 Lithgow et al.

D476,077 S 6/2003 Lithgow  
D487,311 S 3/2004 Lithgow et al.  
D493,520 S 7/2004 Bertinetti et al.  
D493,884 S 8/2004 Virr et al.  
D503,796 S 4/2005 Lithgow et al.

**OTHER PUBLICATIONS**

Parent U.S. Appl. No. 29/236,349, filed Aug. 15, 2005, Lithgow et al.

Fisher & Paykel Healthcare, "SleepStyle™ 2000 CPAP Series" Specification Sheets, 4 pages, Published Prior to Jun. 2005.

*Primary Examiner*—Ian Simmons

*Assistant Examiner*—Christopher Lee

(74) *Attorney, Agent, or Firm*—Nixon & Vanderhye P.C.

(57) **CLAIM**

The ornamental design for a humidifier for a flow generator, as shown.

**DESCRIPTION**

FIG. 1 is a perspective view of a flow generator humidifier according to our design;

FIG. 2 is a front view thereof;

FIG. 3 is a rear view thereof;

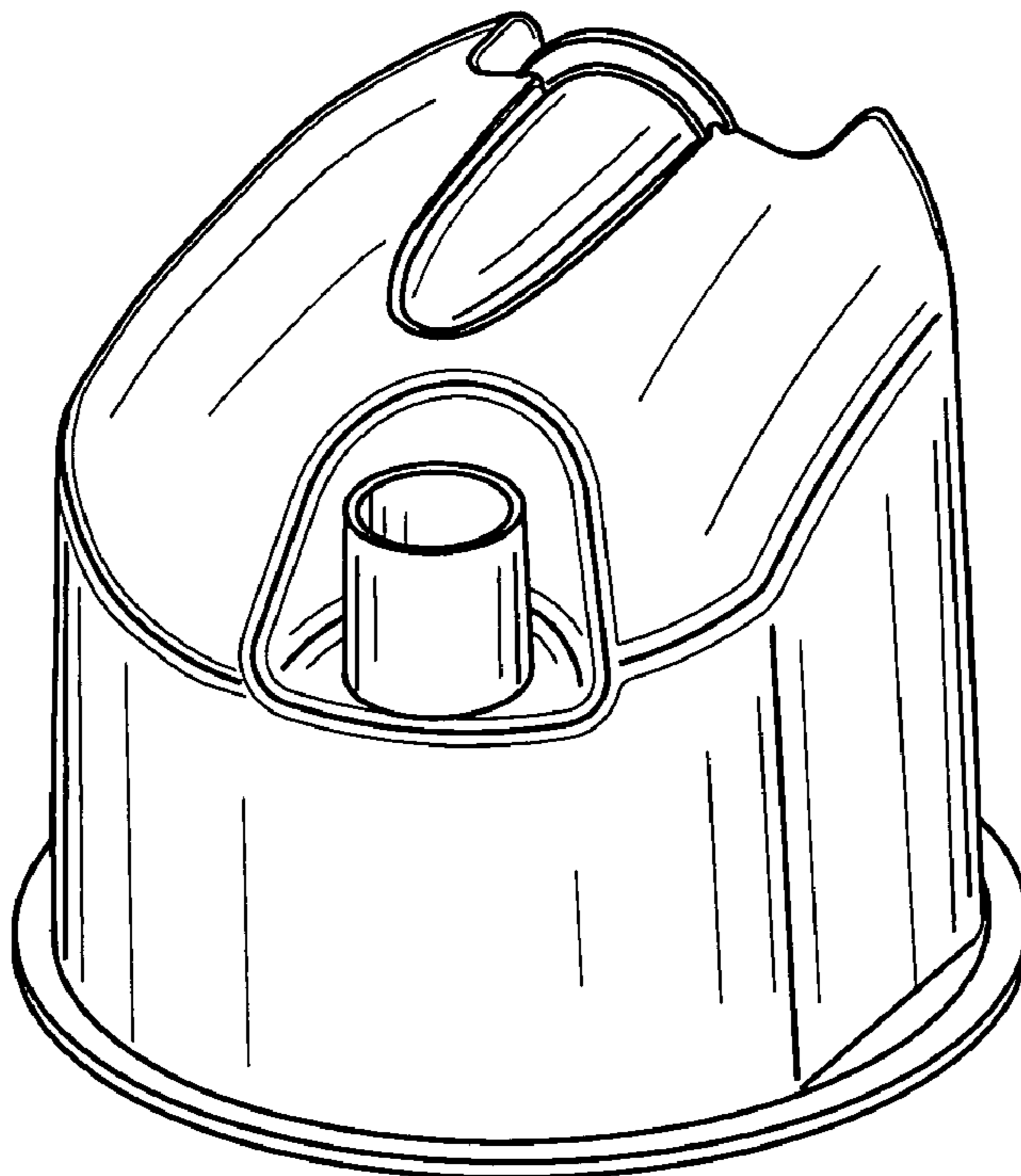
FIG. 4 is a right side view thereof;

FIG. 5 is a left side view thereof;

FIG. 6 is a top view thereof; and,

FIG. 7 is a bottom view thereof.

**1 Claim, 4 Drawing Sheets**



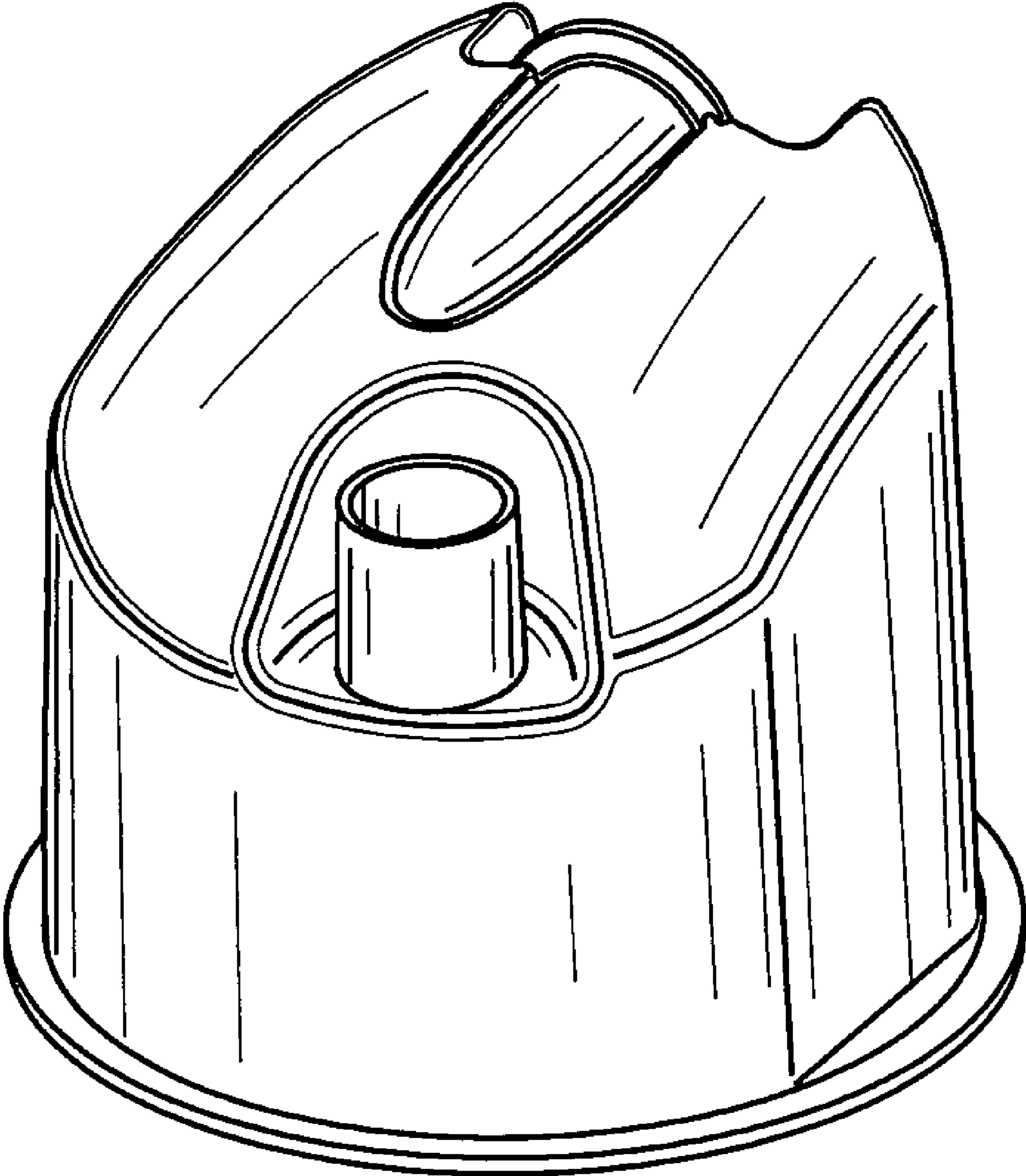


Fig. 1

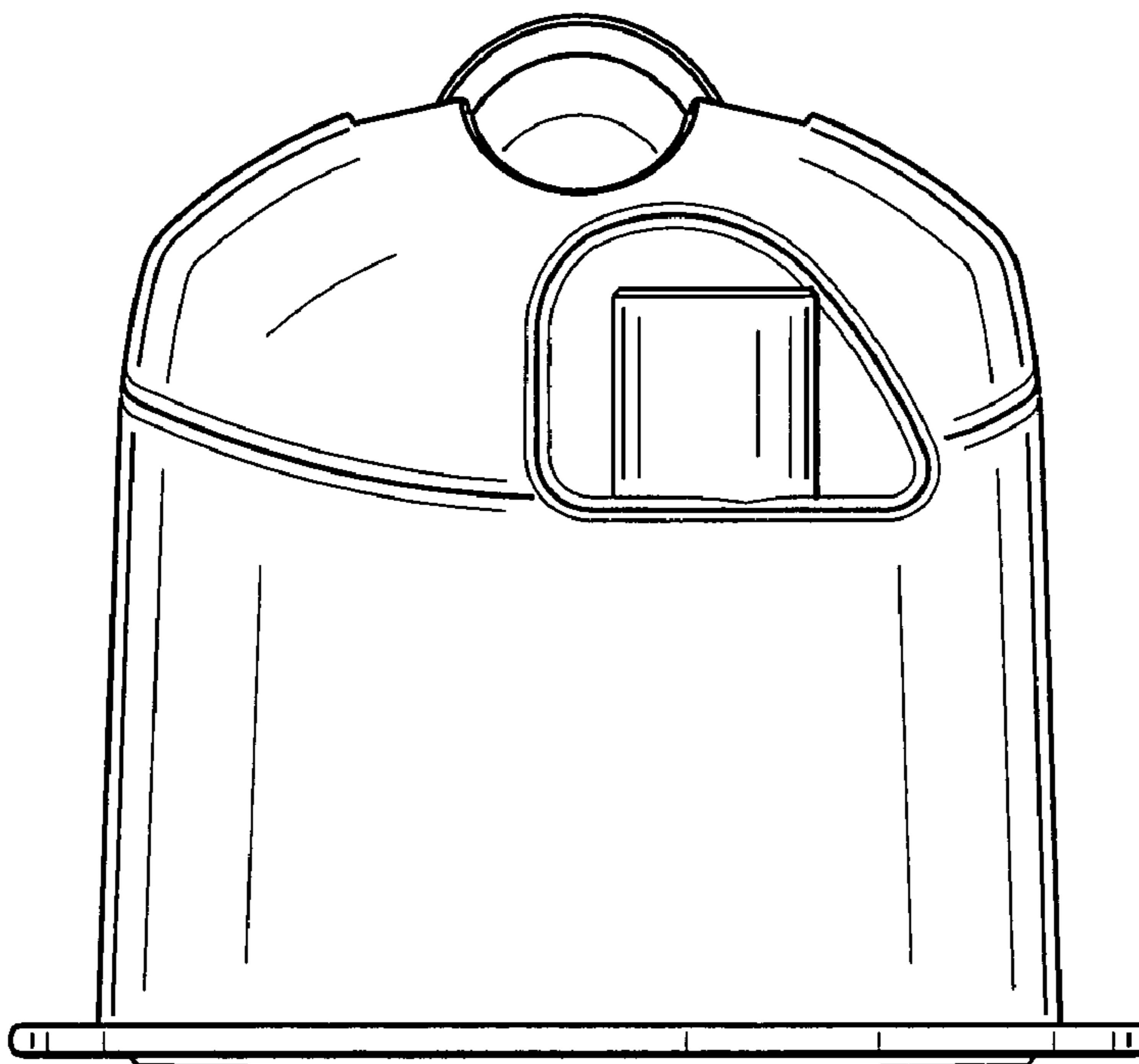


Fig. 2

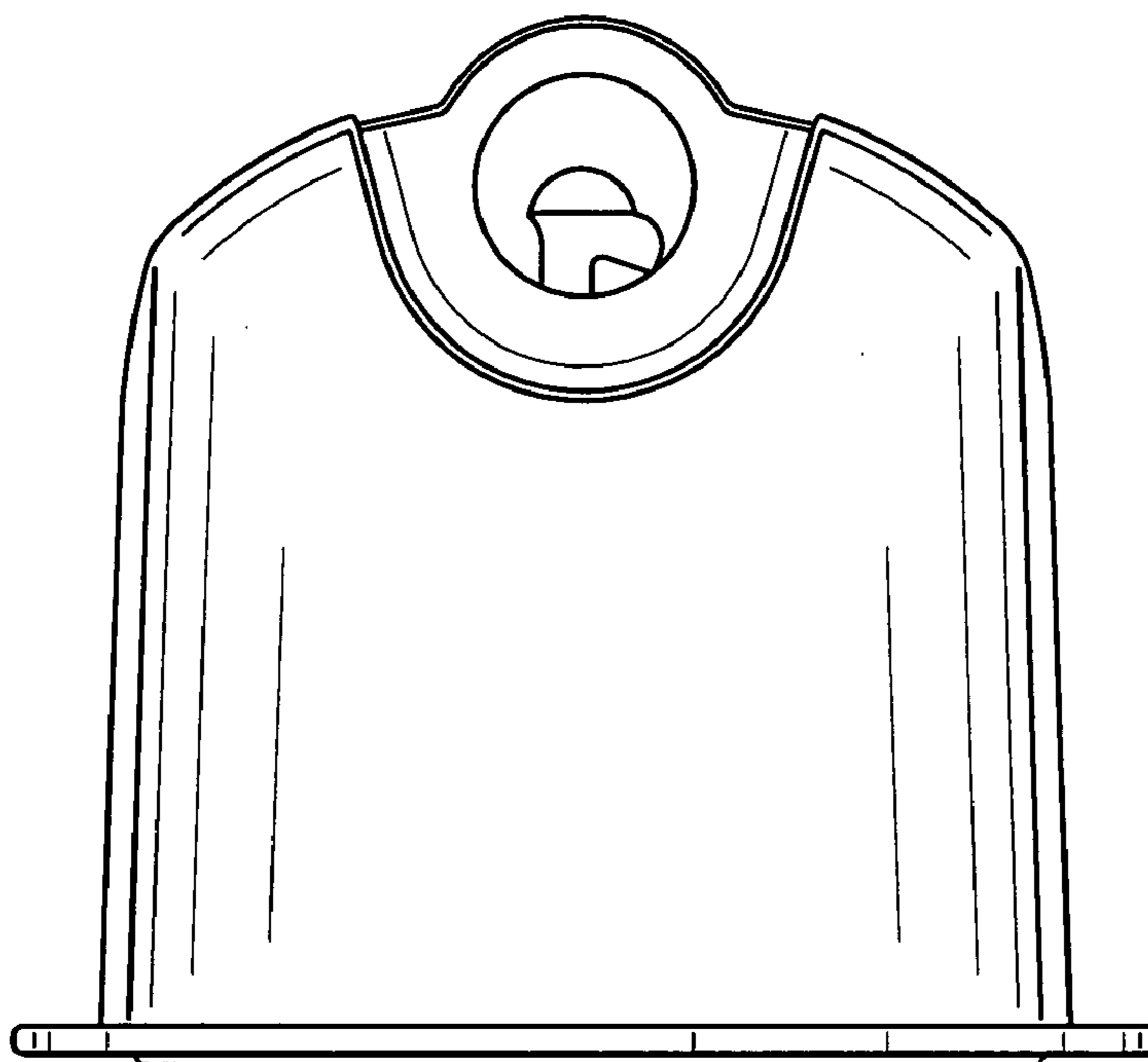


Fig. 3

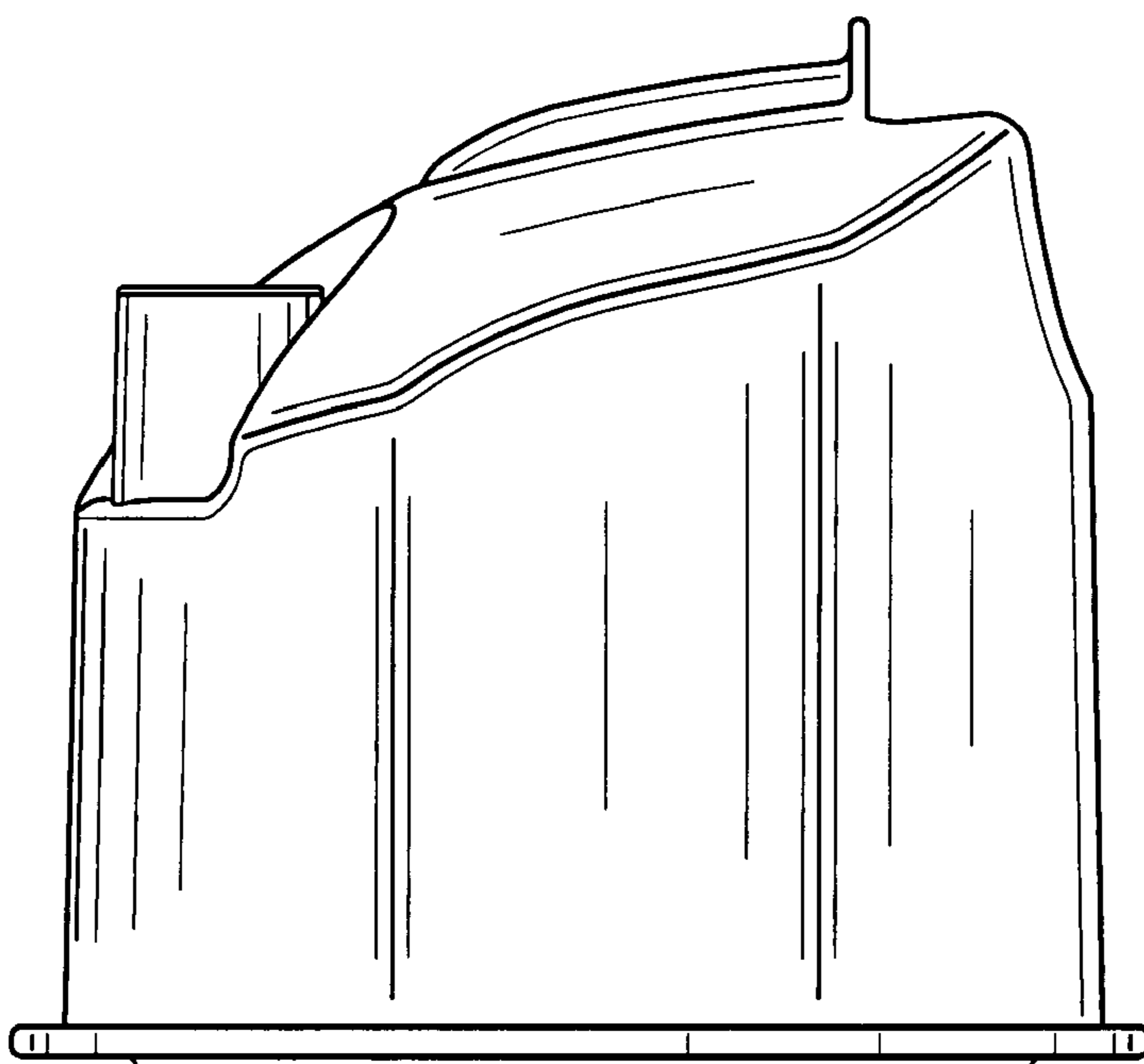


Fig. 4

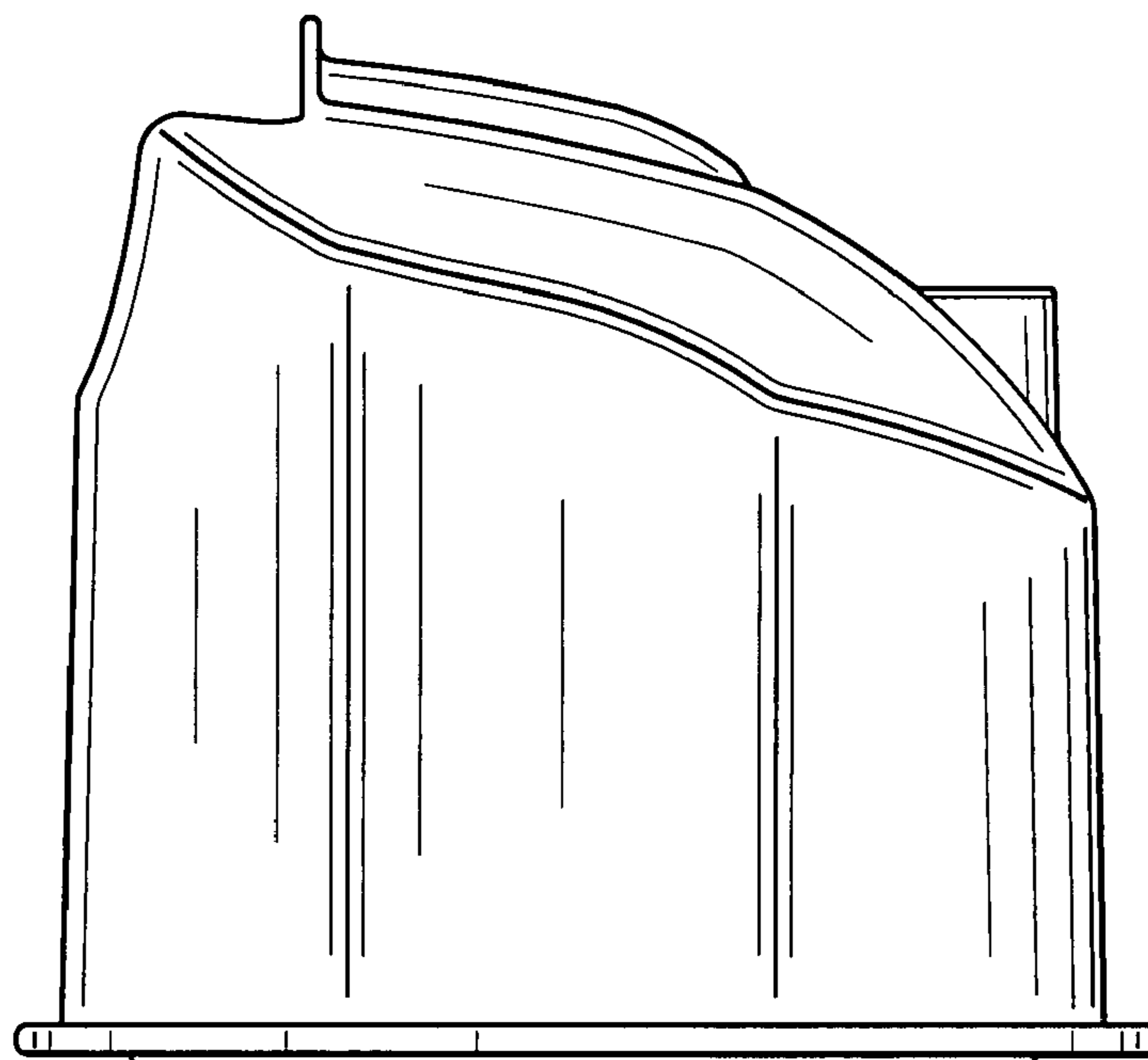


Fig. 5

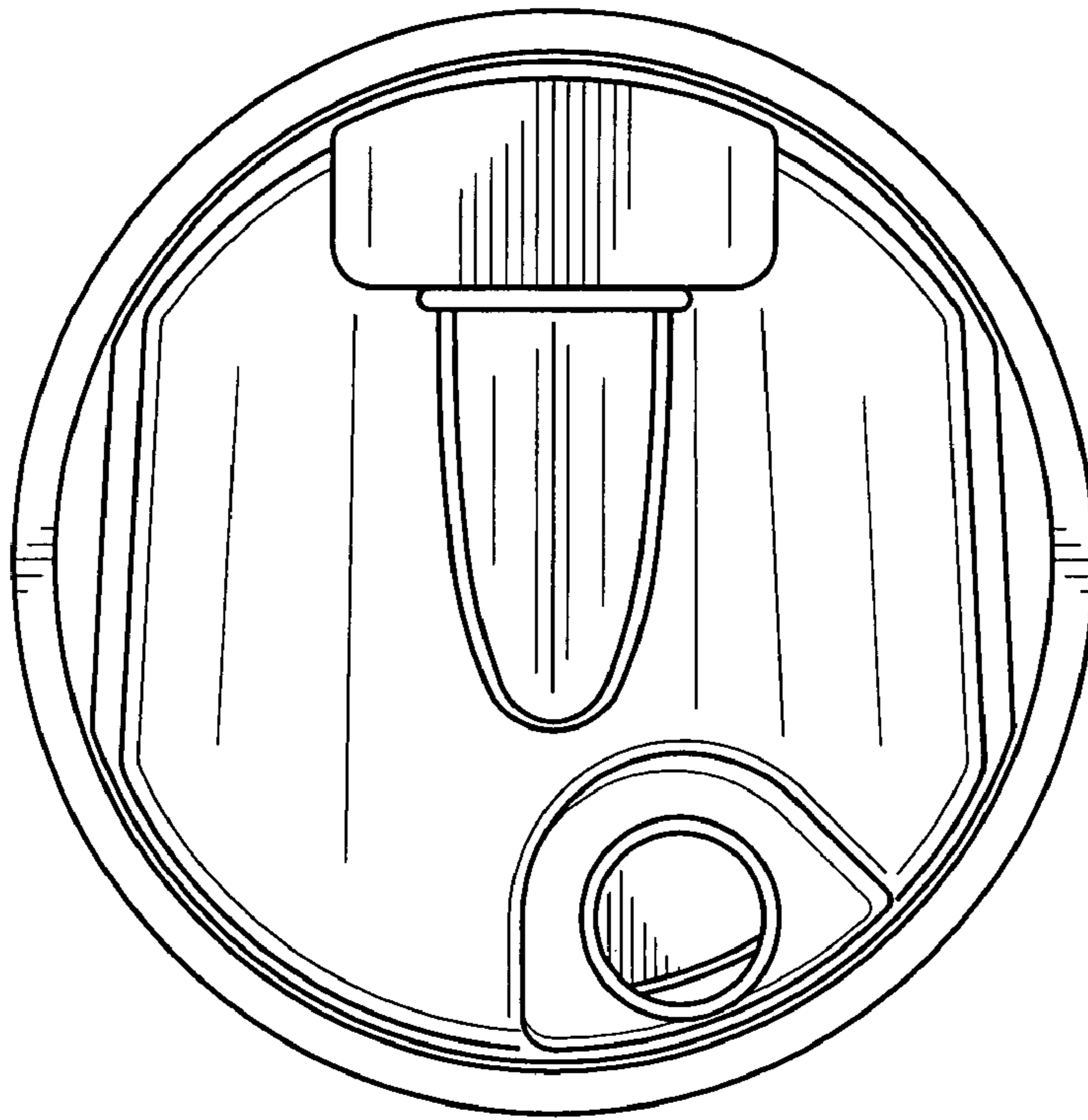


Fig. 6

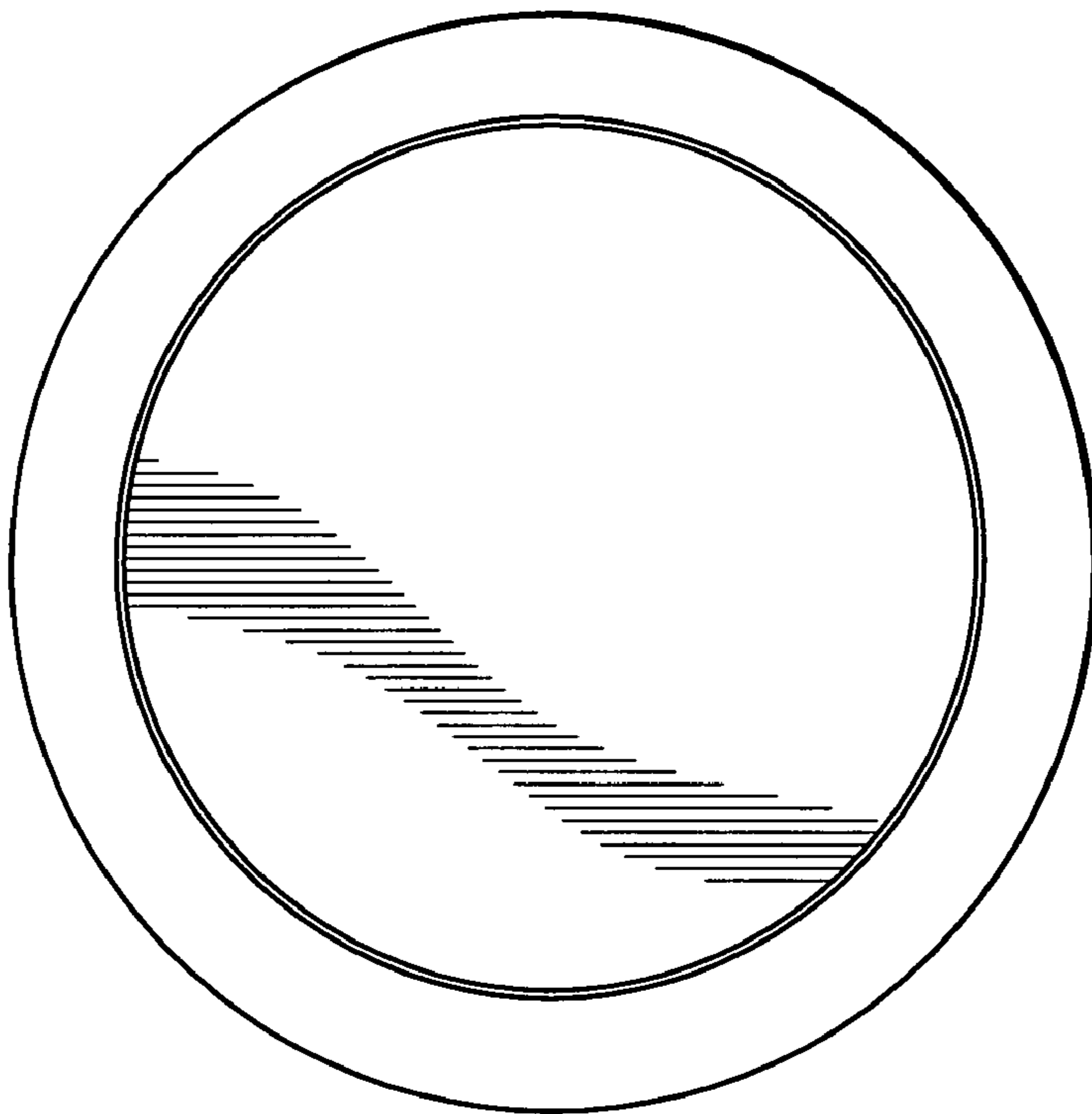


Fig. 7