

US00D561889S

(12) **United States Design Patent**
Ediger et al.

(10) **Patent No.:** **US D561,889 S**
(45) **Date of Patent:** **** Feb. 12, 2008**

(54) **FAN CRADLE BASE**

(75) Inventors: **Glen W. Ediger**, North Newton, KS (US); **Matthew L. Rice**, Derby, KS (US)

(73) Assignee: **Vornado Air Circulation Systems, Inc.**, Andover, KS (US)

(**) Term: **14 Years**

(21) Appl. No.: **29/270,329**

(22) Filed: **Dec. 20, 2006**

(51) **LOC (8) Cl.** **23-04**

(52) **U.S. Cl.** **D23/411**

(58) **Field of Classification Search** D23/370, D23/381, 332, 411; 416/5, 244 R, 247 R
See application file for complete search history.

(56) **References Cited**

U.S. PATENT DOCUMENTS

D329,089 S *	9/1992	Coup et al.	D23/382
D329,696 S *	9/1992	Ediger et al.	D23/411
D398,983 S *	9/1998	Keller et al.	D23/382
D537,515 S *	2/2007	Ediger et al.	D23/382
D537,516 S *	2/2007	Ediger et al.	D23/382

* cited by examiner

Primary Examiner—Lisa Lichtenstein

(74) *Attorney, Agent, or Firm*—Stinson Morrison Hecker LLP

(57) **CLAIM**

The ornamental design for a fan cradle base, as shown and described.

DESCRIPTION

FIG. 1 is a front right side perspective view of the fan cradle base;

FIG. 2 is a front elevational view of the fan cradle base of FIG. 1;

FIG. 3 is a rear elevational view of the fan cradle base of FIG. 1;

FIG. 4 is a left side elevational view of the fan cradle base of FIG. 1;

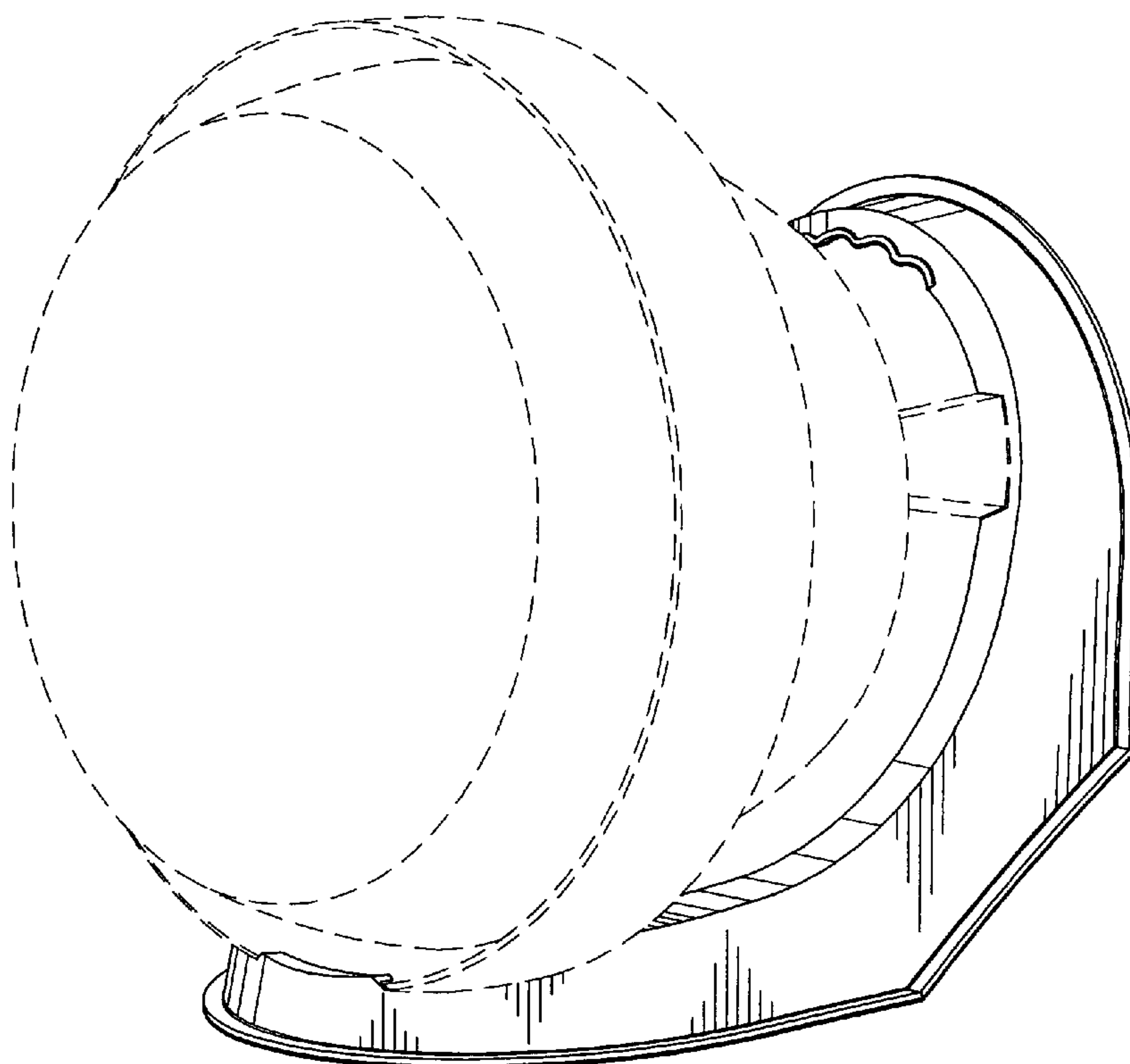
FIG. 5 is a right side elevational view of the fan cradle base of FIG. 1;

FIG. 6 is a top plan view of the fan cradle base of FIG. 1; and,

FIG. 7 is a bottom plan view of the fan cradle base of FIG. 1.

The broken line showing of a fan is included for the purpose of illustrating environmental structure and forms no part of the claimed design.

1 Claim, 7 Drawing Sheets



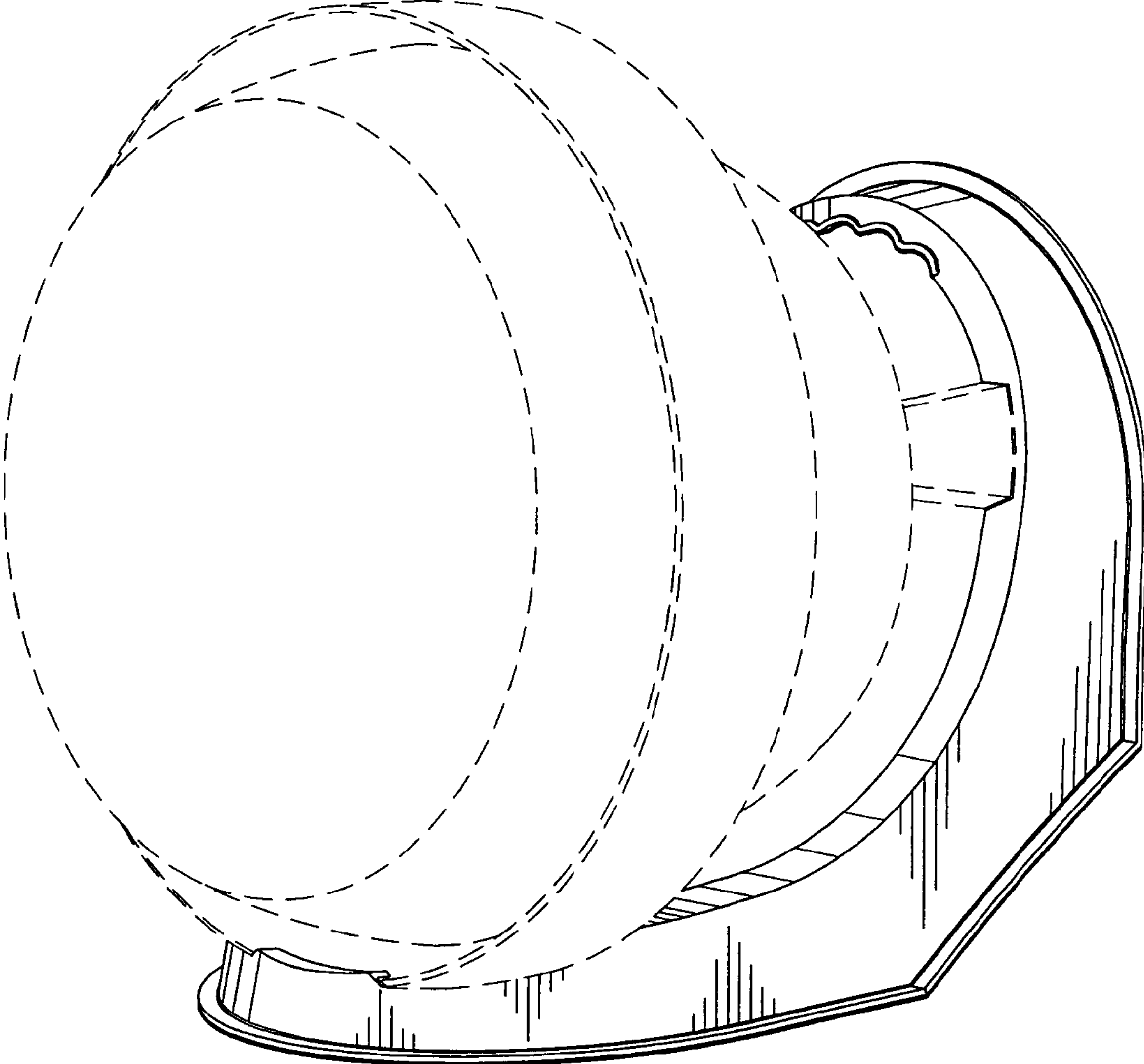


FIG. 1

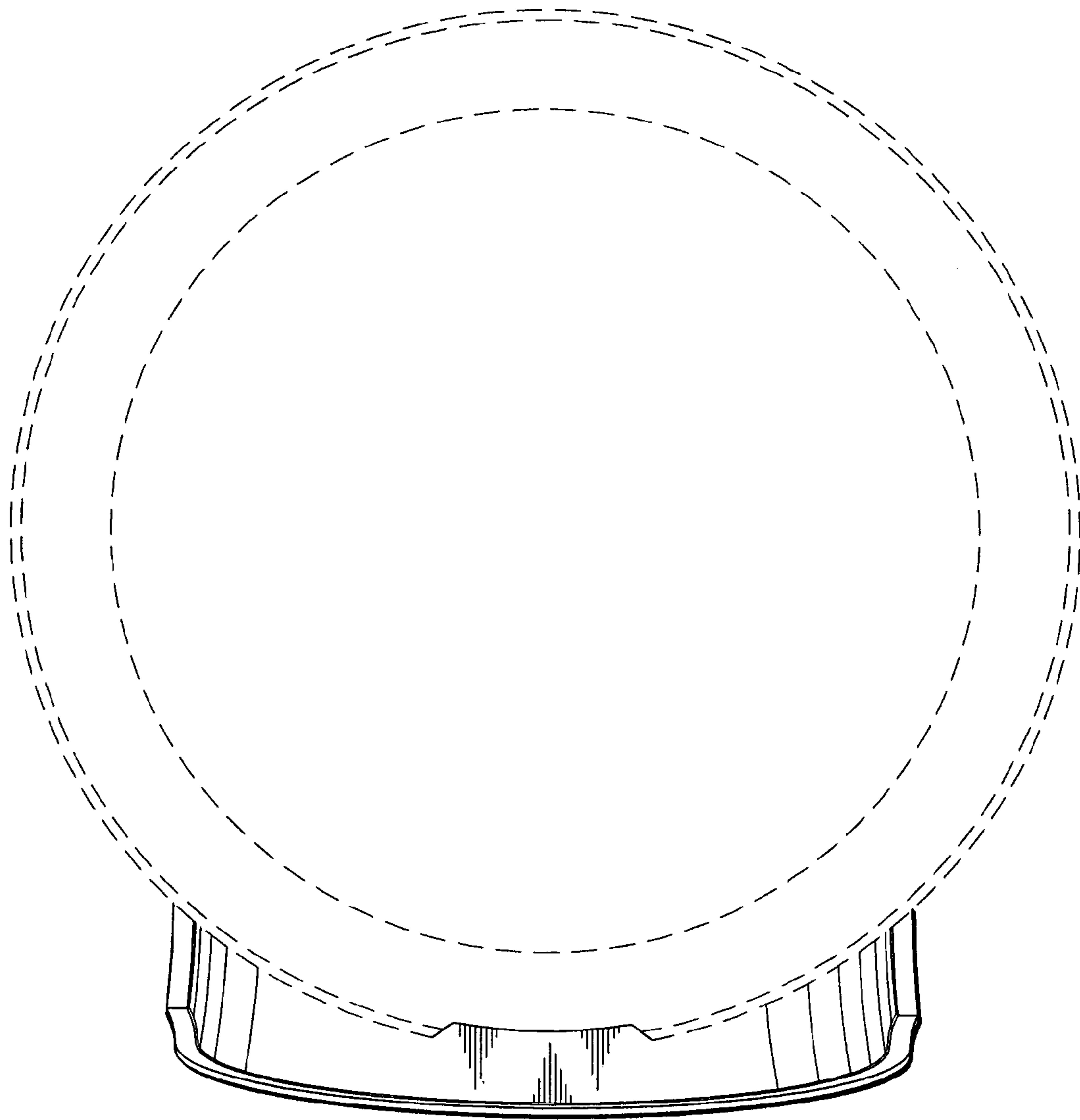


FIG. 2

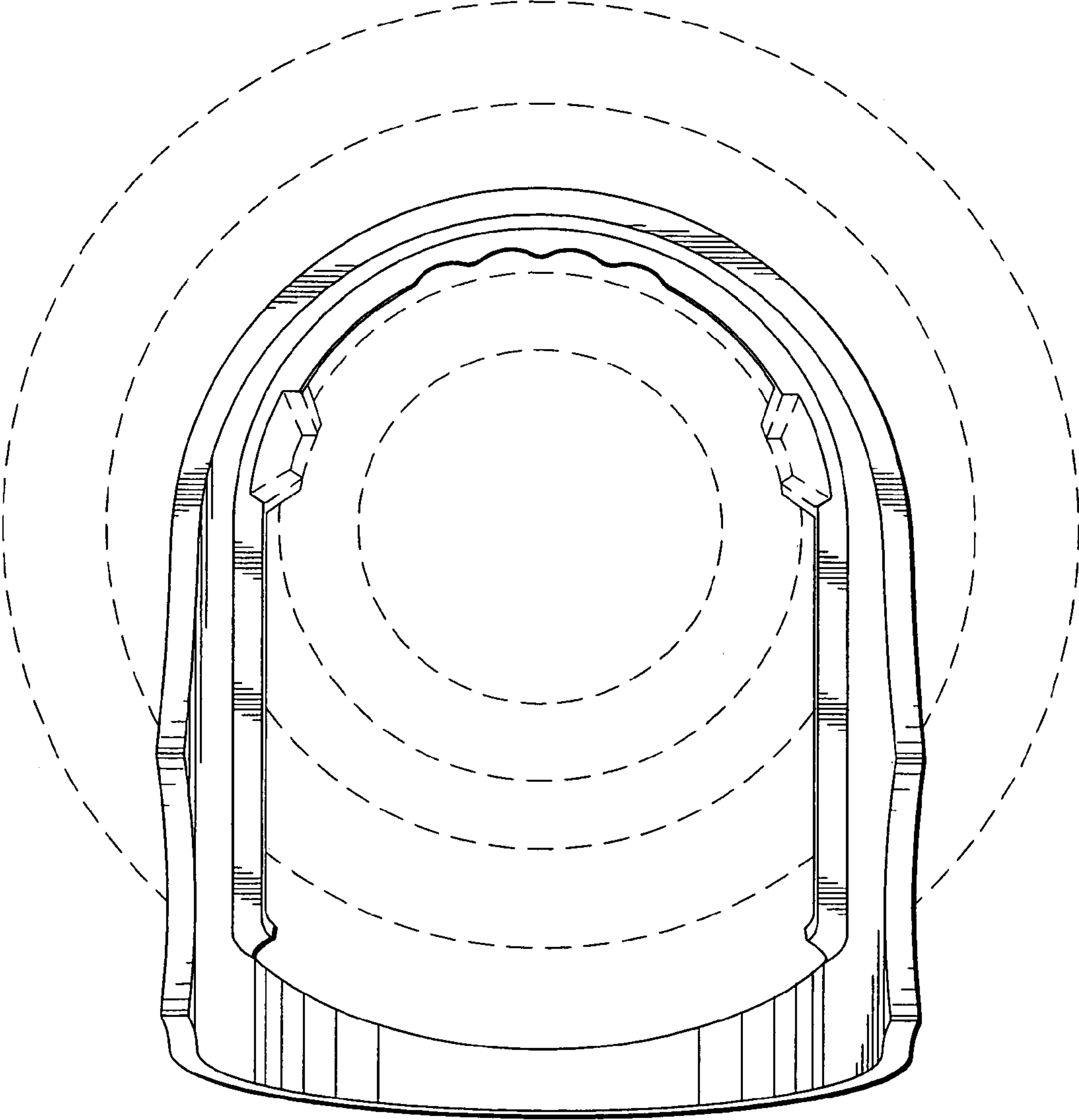


FIG. 3

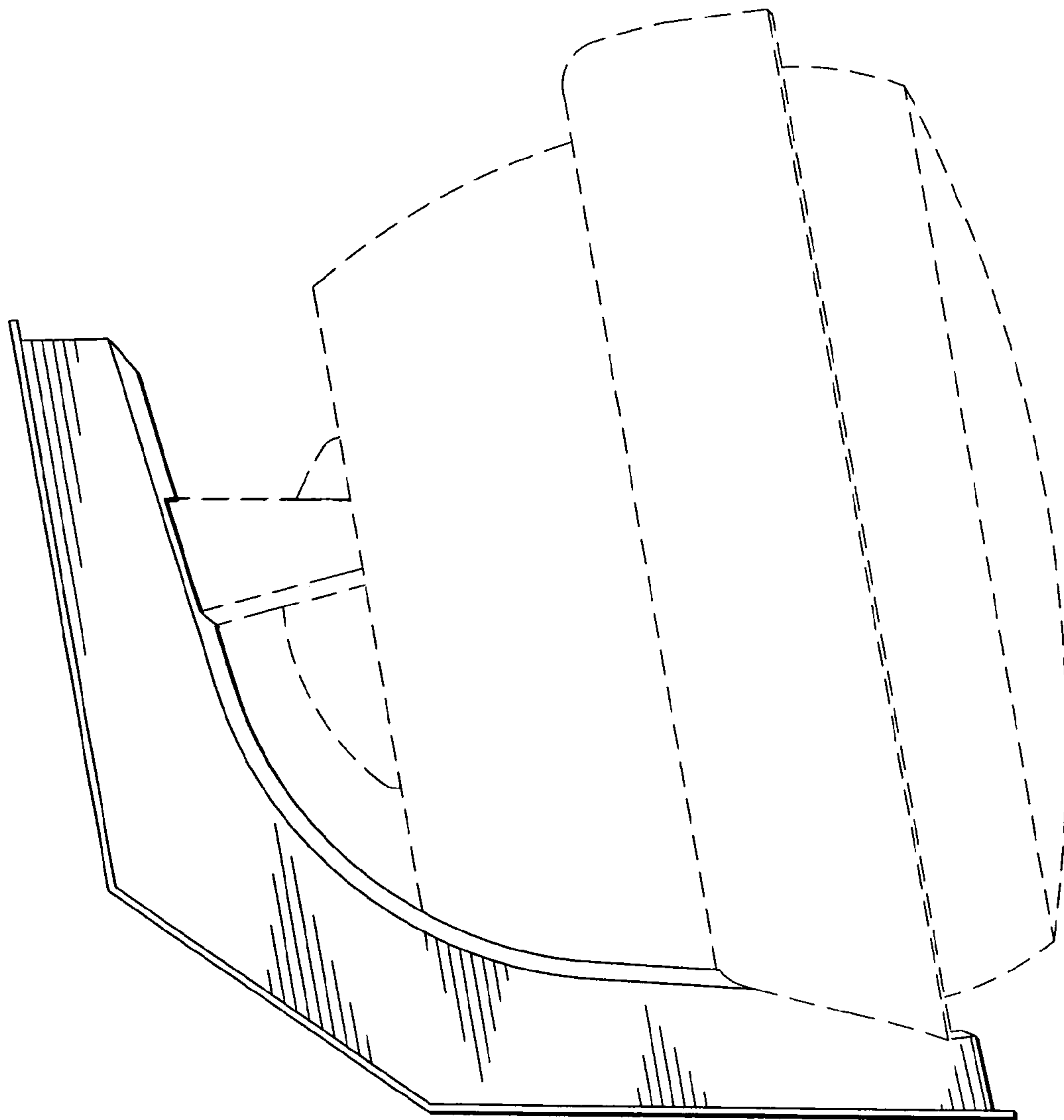


FIG. 4

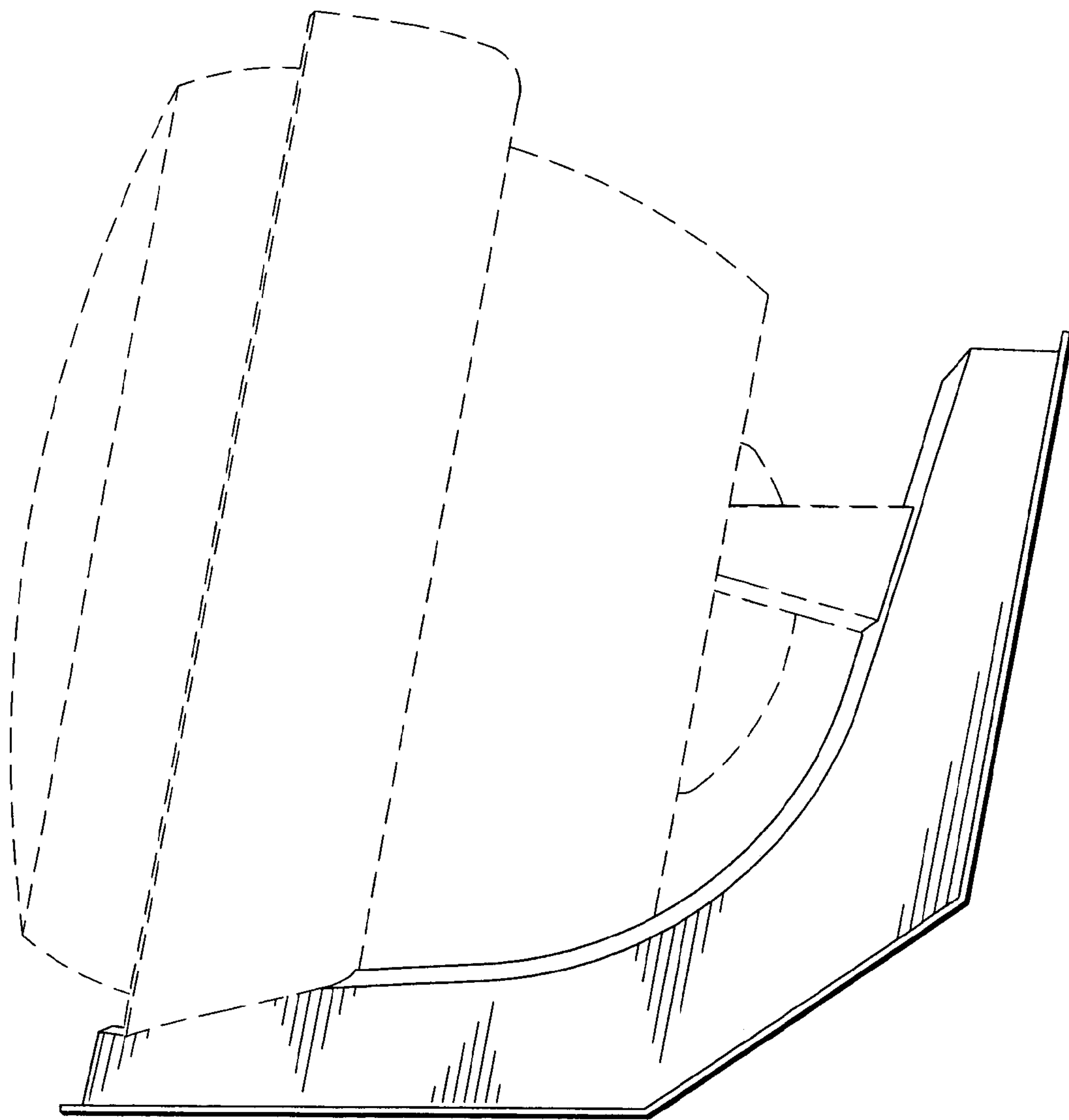


FIG. 5

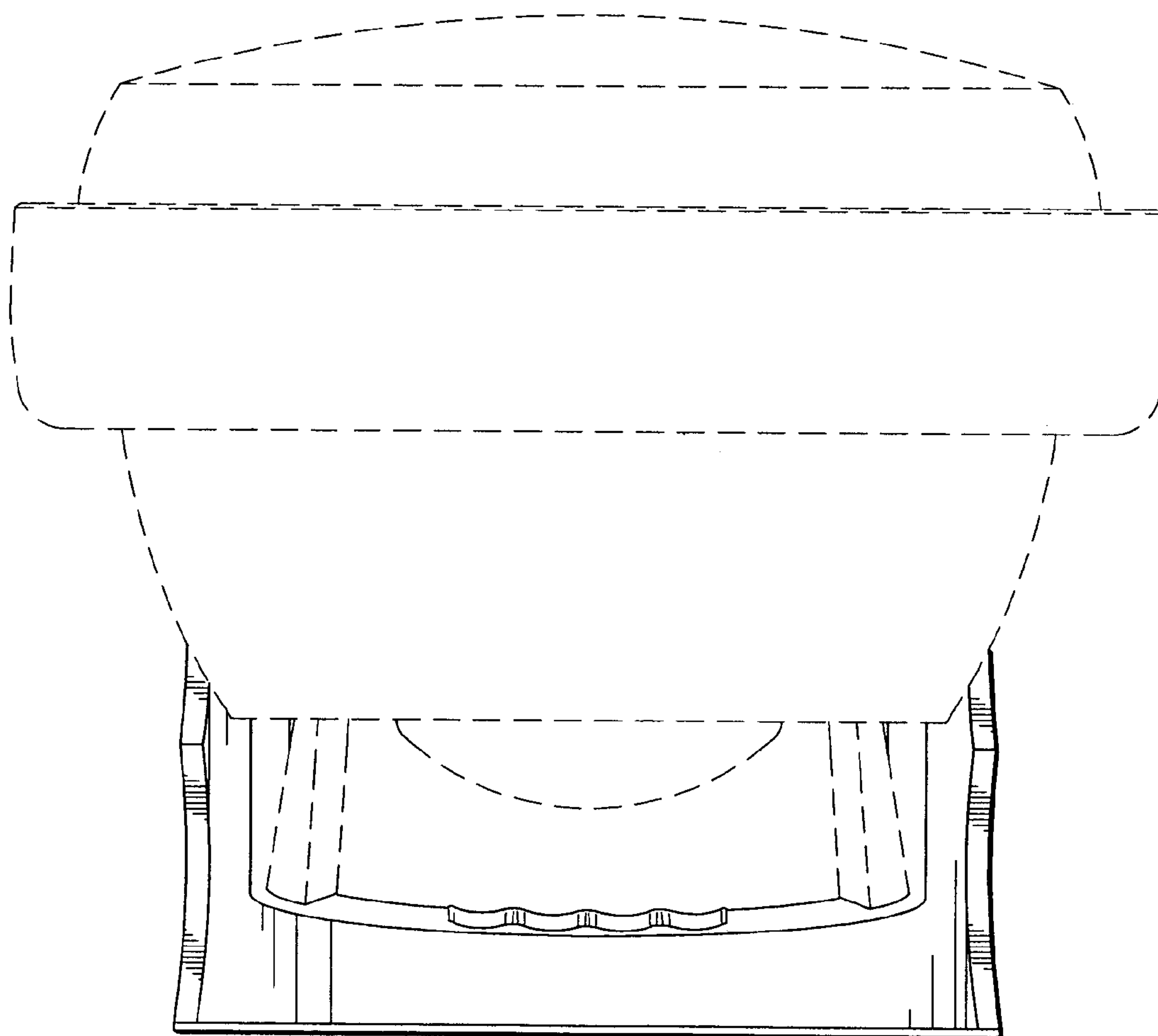


FIG. 6

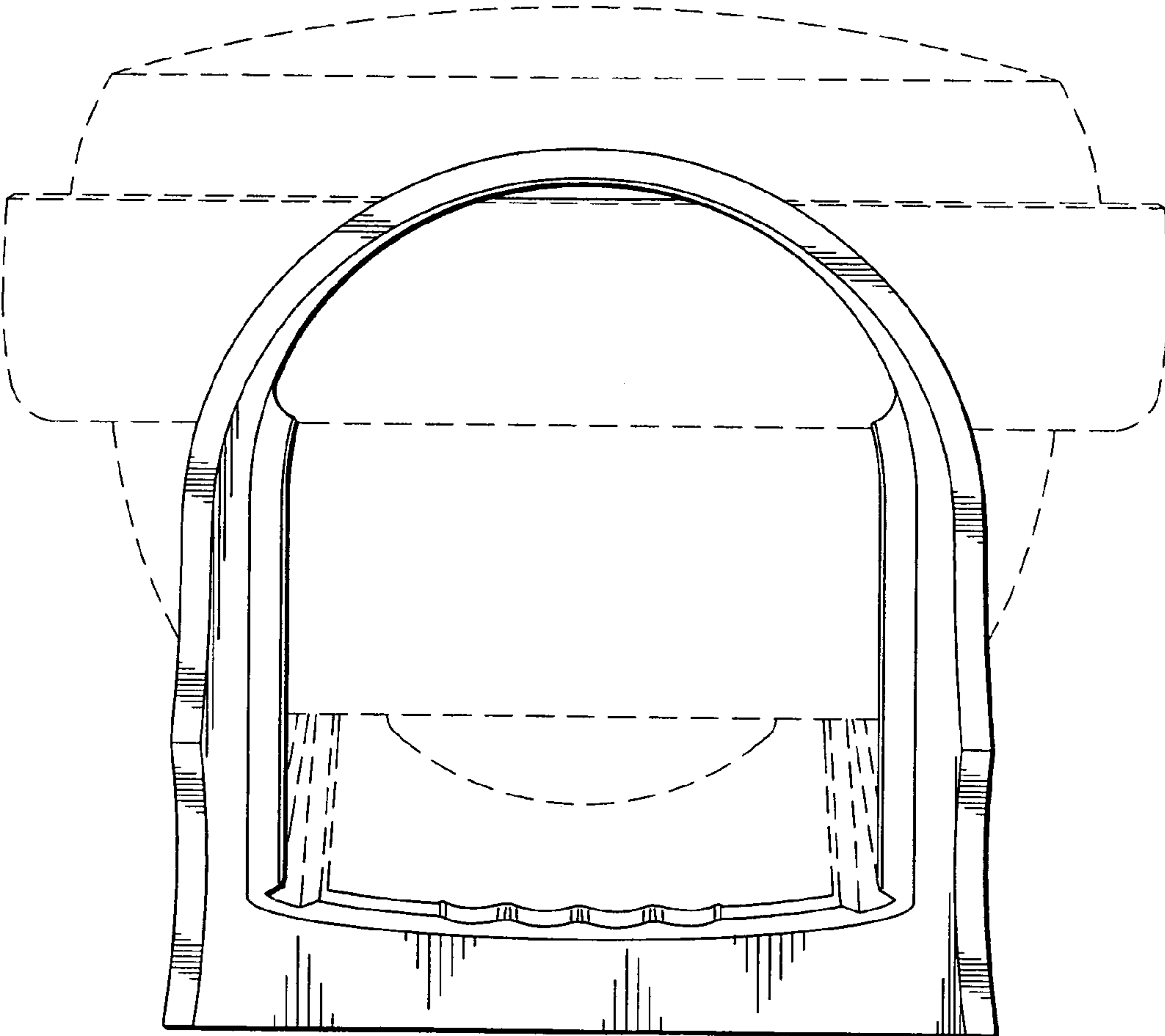


FIG. 7