

US00D561888S

(12) **United States Design Patent**
Yang et al.

(10) **Patent No.:** **US D561,888 S**
(45) **Date of Patent:** **** Feb. 12, 2008**

(54) **IMPELLER**

(75) Inventors: **Zhi-Ya Yang**, Shenzhen (CN);
Wen-Gao Wang, Shenzhen (CN);
Zhen-Neng Lin, Shenzhen (CN);
Shu-Ho Lin, Taipei Hsien (TW);
Hsiang-Ho Huang, Taipei Hsien (TW)

(73) Assignee: **Foxconn Technology Co., Ltd.**,
Tu-Cheng, Taipei Hsien (TW)

(**) Term: **14 Years**

(21) Appl. No.: **29/275,498**

(22) Filed: **Dec. 28, 2006**

(51) **LOC (8) Cl.** **23-04**

(52) **U.S. Cl.** **D23/379**

(58) **Field of Classification Search** D23/379,
D23/413, 370, 411; 416/223 R, 238; 361/695,
361/697

See application file for complete search history.

(56) **References Cited**

U.S. PATENT DOCUMENTS

5,184,938 A * 2/1993 Harmsen 416/223 R

5,320,493 A * 6/1994 Shih et al. 416/223 R
D368,772 S * 4/1996 Liao D23/411
D486,905 S * 2/2004 Wang D23/379
7,123,483 B2 10/2006 Otsuki et al.
2005/0249585 A1 11/2005 Horng et al.

* cited by examiner

Primary Examiner—Lisa Lichtenstein

(74) *Attorney, Agent, or Firm*—Wei Te Chung

(57) **CLAIM**

The ornamental design for an impeller, as shown.

DESCRIPTION

FIG. 1 is a perspective view of an impeller of our new design;

FIG. 2 is a front elevational view thereof;

FIG. 3 is a rear elevational view thereof;

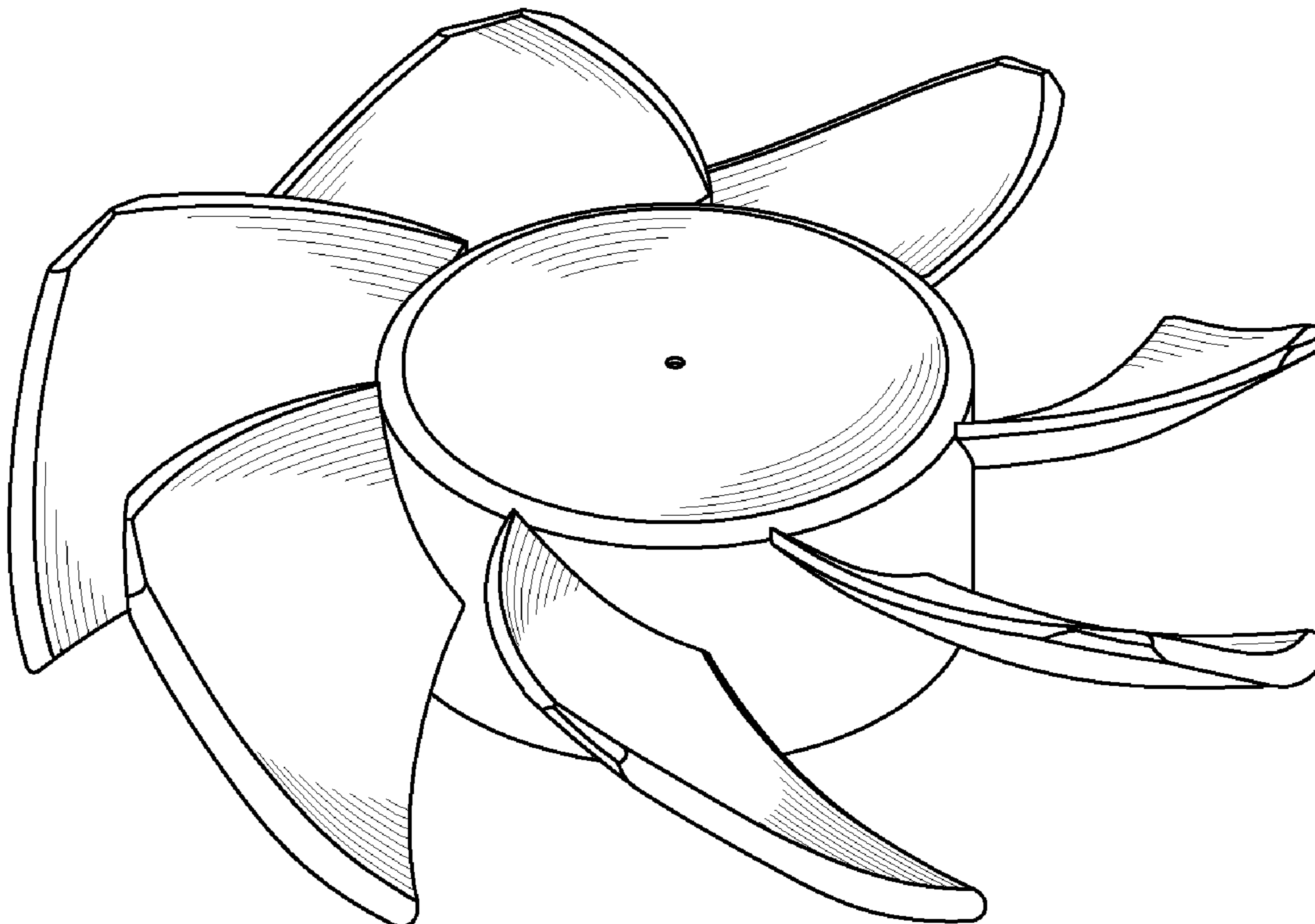
FIG. 4 is a left side elevational view thereof;

FIG. 5 is a right side elevational view thereof;

FIG. 6 is a top plan view thereof; and,

FIG. 7 is a bottom plan view thereof.

1 Claim, 7 Drawing Sheets



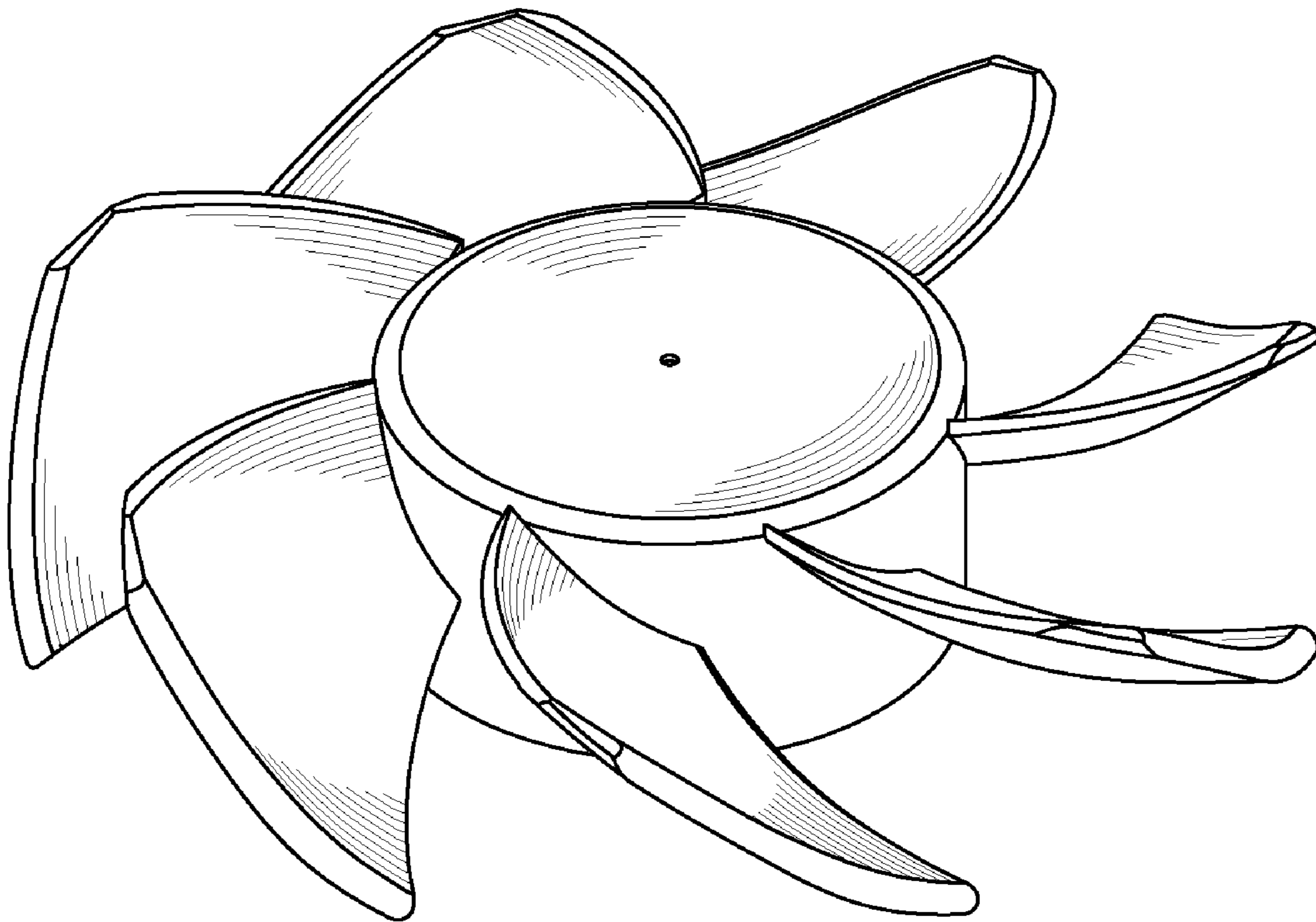


FIG. 1

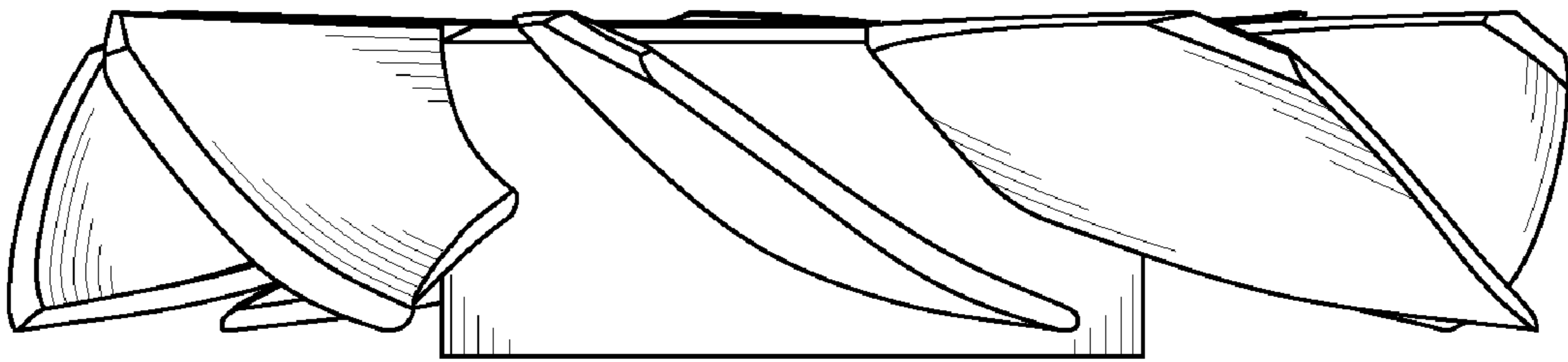


FIG. 2

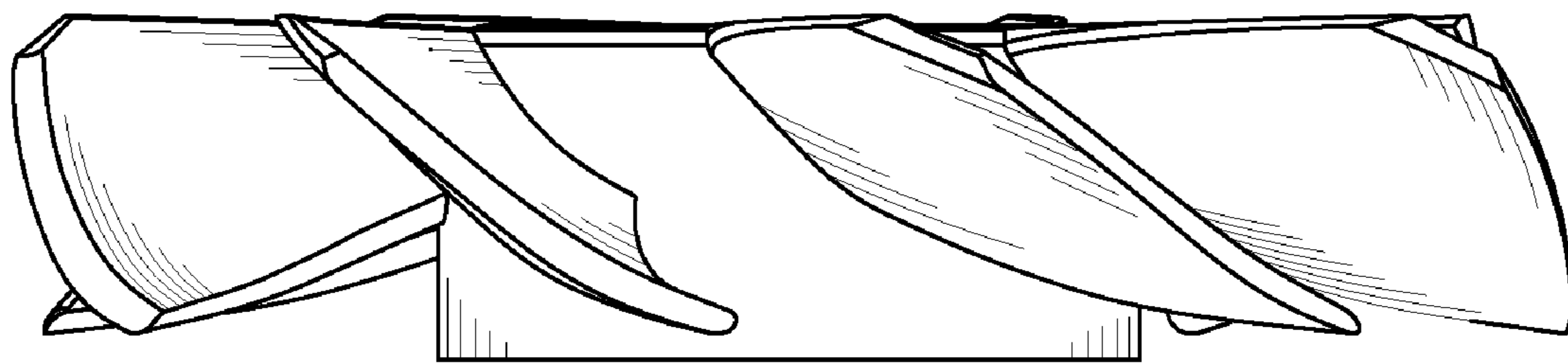


FIG. 3

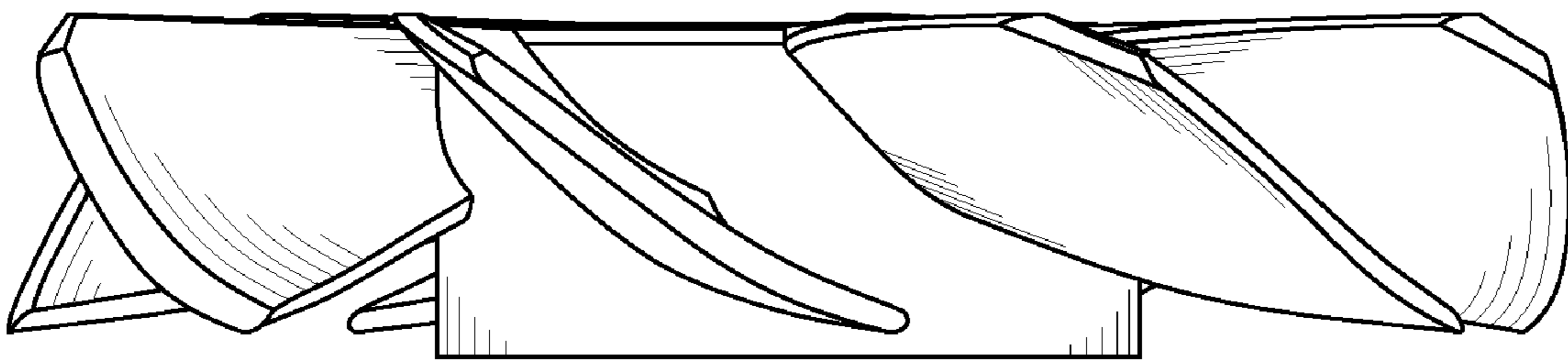


FIG. 4

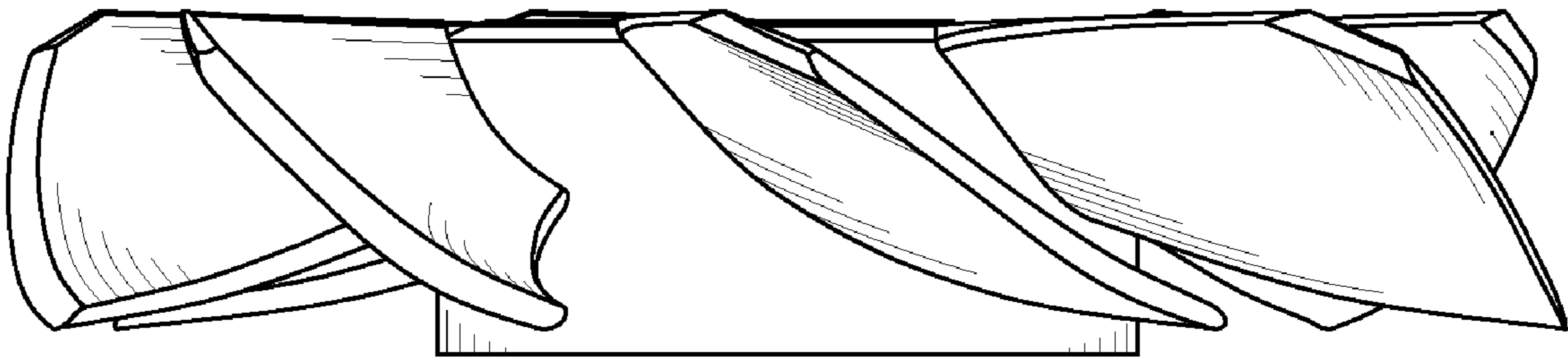


FIG. 5

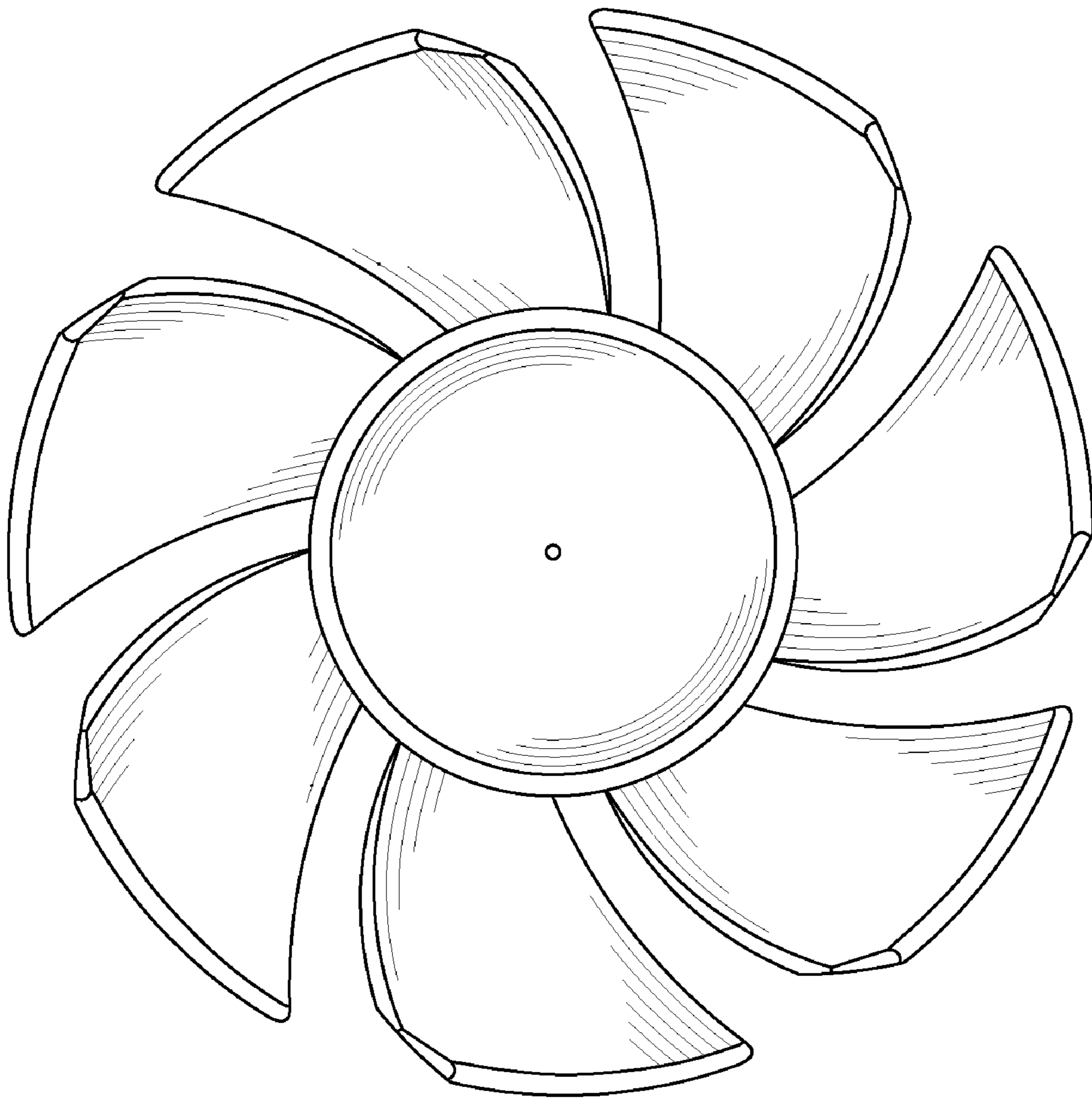


FIG. 6

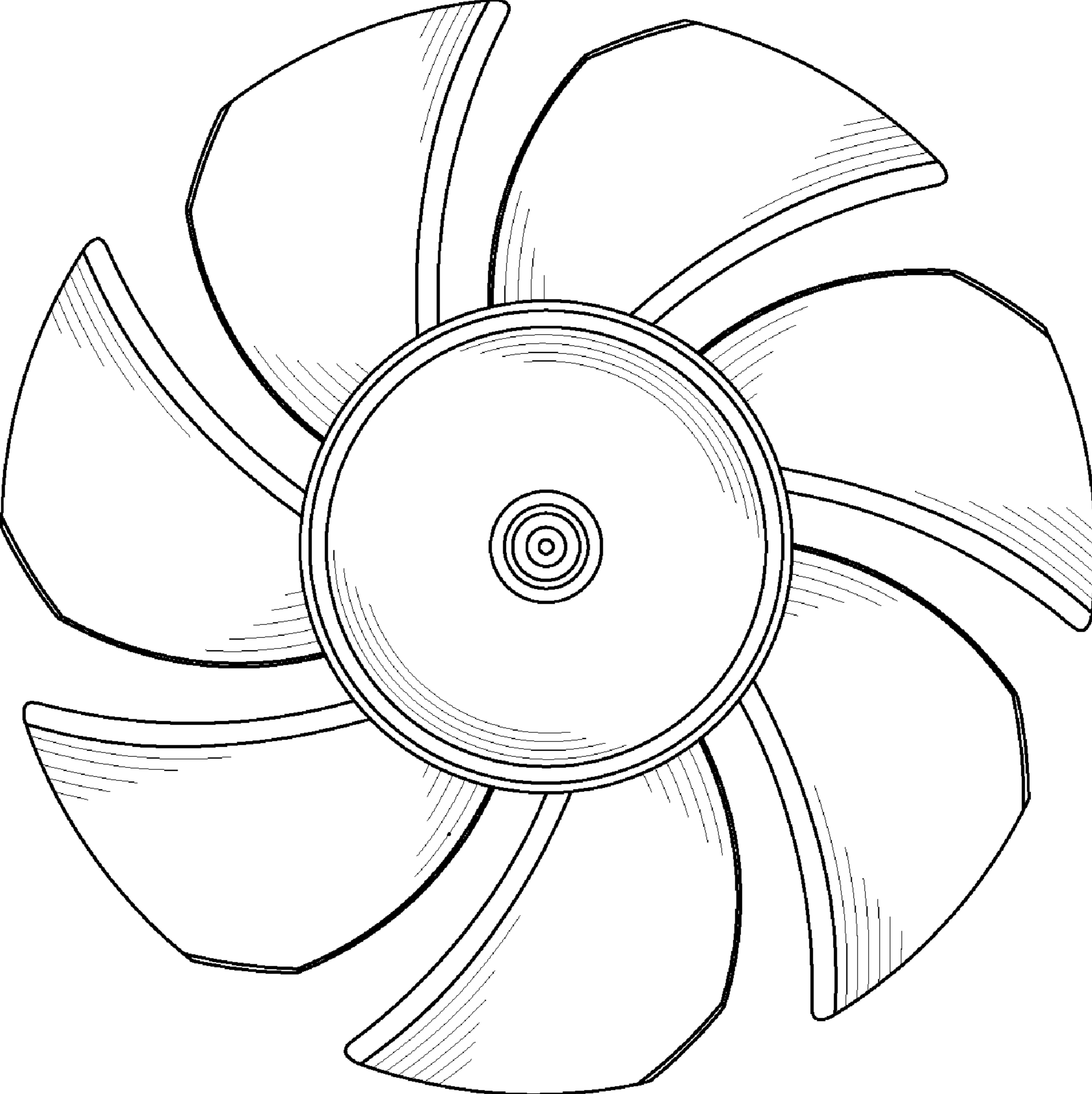


FIG. 7