



US00D561882S

(12) **United States Design Patent**
Kennedy et al.

(10) **Patent No.:** **US D561,882 S**

(45) **Date of Patent:** **** Feb. 12, 2008**

(54) **AIR FRESHENER DEVICE**

(75) Inventors: **David Kennedy**, Montvale, NJ (US);
Bruno Lablaine, Thivars (FR); **Renaud Lachery**, Chartres (FR); **Paul Newton**, Hull (GB)

(73) Assignee: **Reckitt Benckiser (UK) Limited**, Slough, Berkshire (GB)

(**) Term: **14 Years**

(21) Appl. No.: **29/277,314**

(22) Filed: **Feb. 21, 2007**

(30) **Foreign Application Priority Data**

Aug. 21, 2006 (EM) 000577549-0001

(51) **LOC (8) Cl.** **28-99**

(52) **U.S. Cl.** **D23/366**

(58) **Field of Classification Search** 261/DIG. 17, 261/DIG. 42, DIG. 65, DIG. 88, DIG. 89; D23/355-369; D28/5, 6; 392/386, 390, 392/392, 393, 394, 401; 239/34, 35, 37, 239/41, 42, 43, 53-58, 60, 136, 326
See application file for complete search history.

(56) **References Cited**

U.S. PATENT DOCUMENTS

D393,063 S * 3/1998 Wefler D23/366
D437,636 S * 2/2001 Basaganas D23/366
D469,862 S * 2/2003 Cruver et al. D23/366
D473,638 S * 4/2003 Cruver, IV D23/366
D474,268 S * 5/2003 Choke-arpornchai et al. D23/366
D477,065 S * 7/2003 Lonczak et al. D23/366
D487,144 S * 2/2004 Choke-arpornchai et al. D23/366

D491,256 S * 6/2004 Fellows et al. D23/366
D501,546 S * 2/2005 Cruver et al. D23/366
D502,540 S * 3/2005 Cruver et al. D23/366
D510,423 S * 10/2005 Caserta et al. D23/366
D512,136 S * 11/2005 Wefler D23/366
D512,769 S * 12/2005 Wefler D23/366
6,976,637 B2 * 12/2005 Massimo 239/44
D523,129 S * 6/2006 Caserta et al. D23/366
D533,930 S * 12/2006 Keller et al. D23/366
RE39,694 E * 6/2007 Choke-arpornchai et al. D23/366
2003/0194225 A1 * 10/2003 Pedrotti et al. 392/395
2004/0170404 A1 * 9/2004 Kenney 392/390
2005/0094988 A1 * 5/2005 Yip et al. 392/395

* cited by examiner

Primary Examiner—Sandra Snapp

(57) **CLAIM**

The ornamental design for an air freshener device, as shown and described.

DESCRIPTION

FIG. 1 is a front perspective view of the air freshener device of the present invention;

FIG. 2 is an elevation view of the front thereof;

FIG. 3 is an elevation view of the rear thereof;

FIG. 4 is an elevation view of the left side thereof;

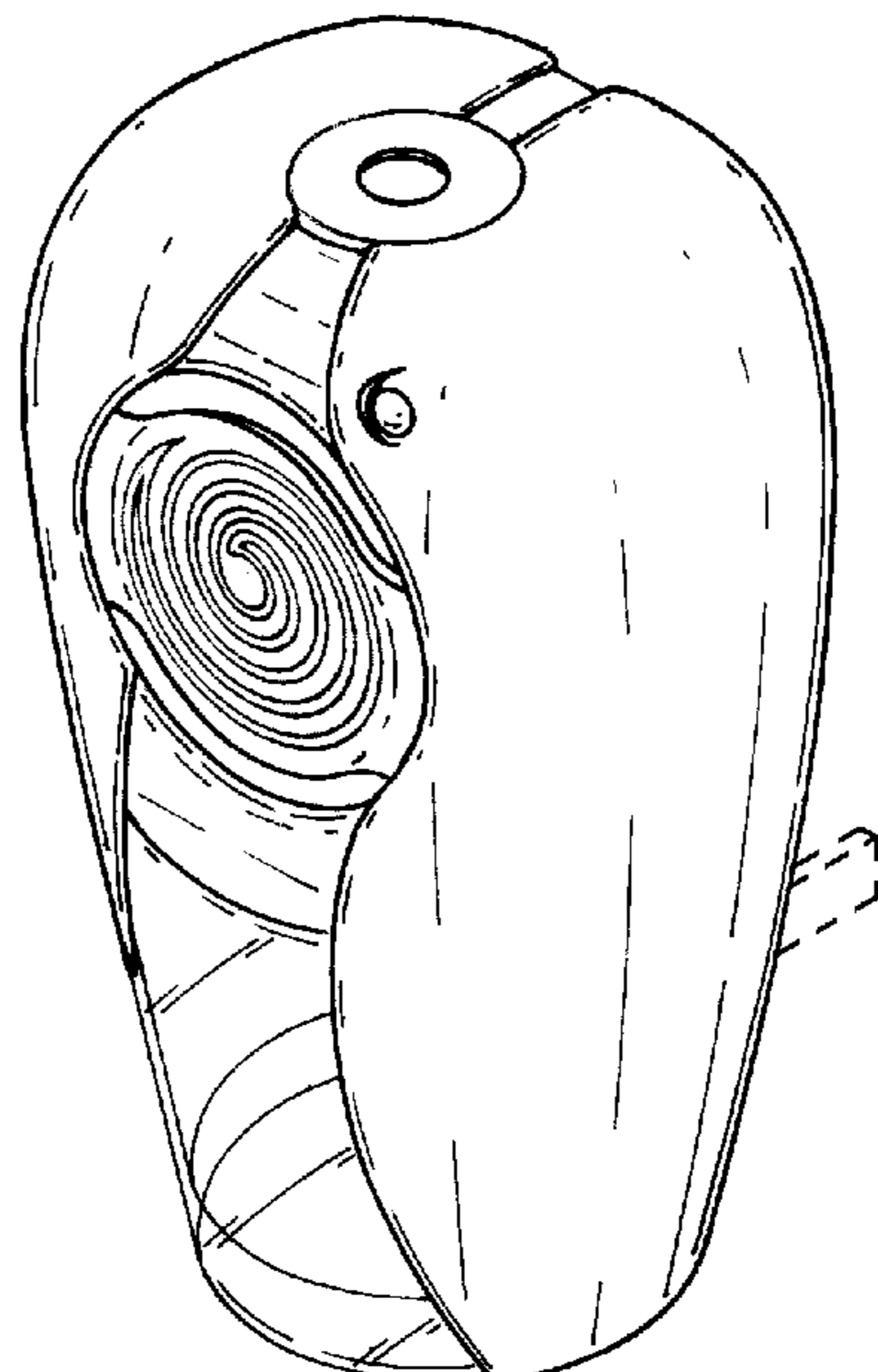
FIG. 5 is an elevation view of the right side thereof;

FIG. 6 is a plan view of the top thereof; and,

FIG. 7 is a plan view of the bottom thereof.

The broken lines shown in the drawings are for illustrative purposes only and form no part of the claimed design.

1 Claim, 3 Drawing Sheets



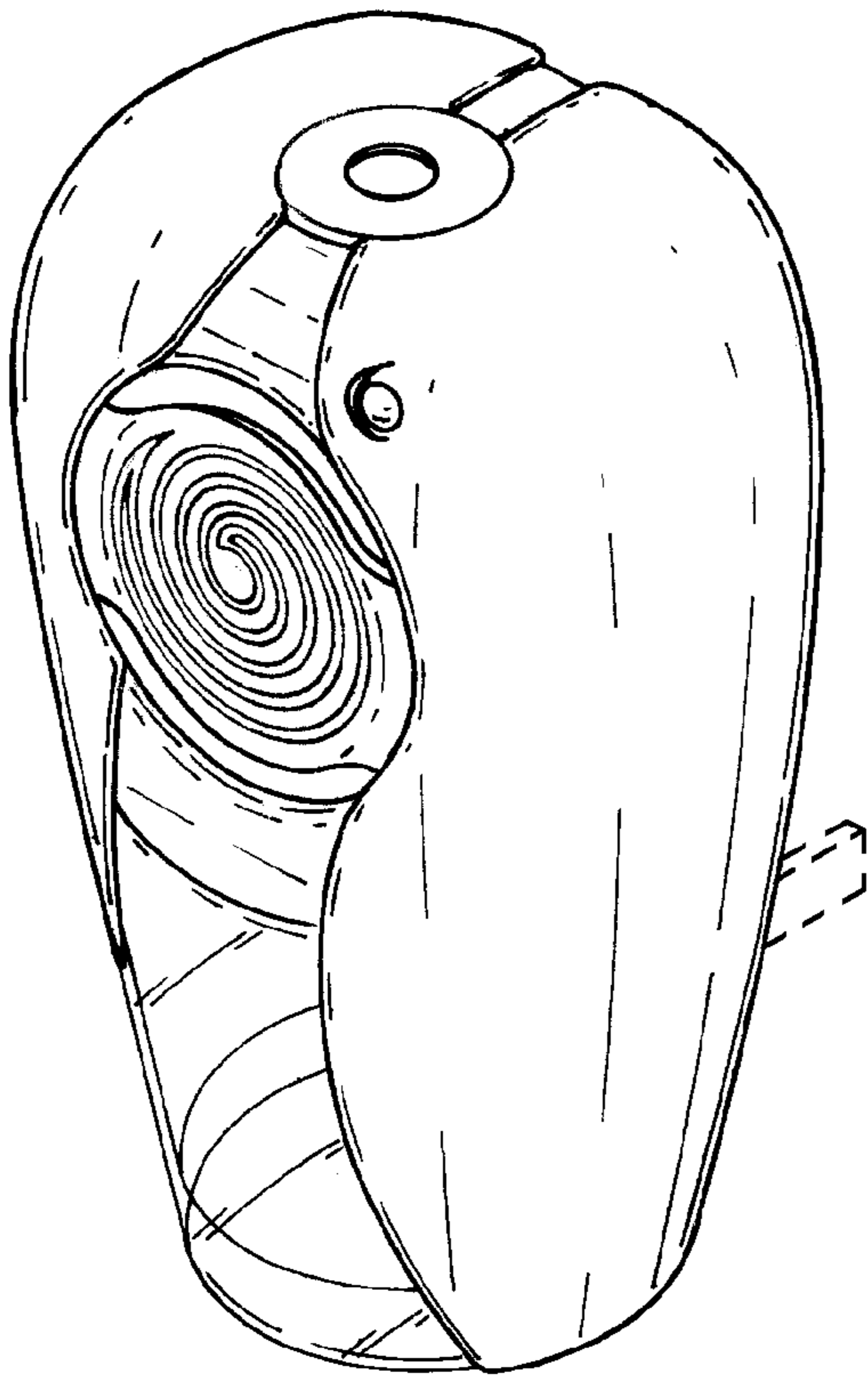


Fig.1.

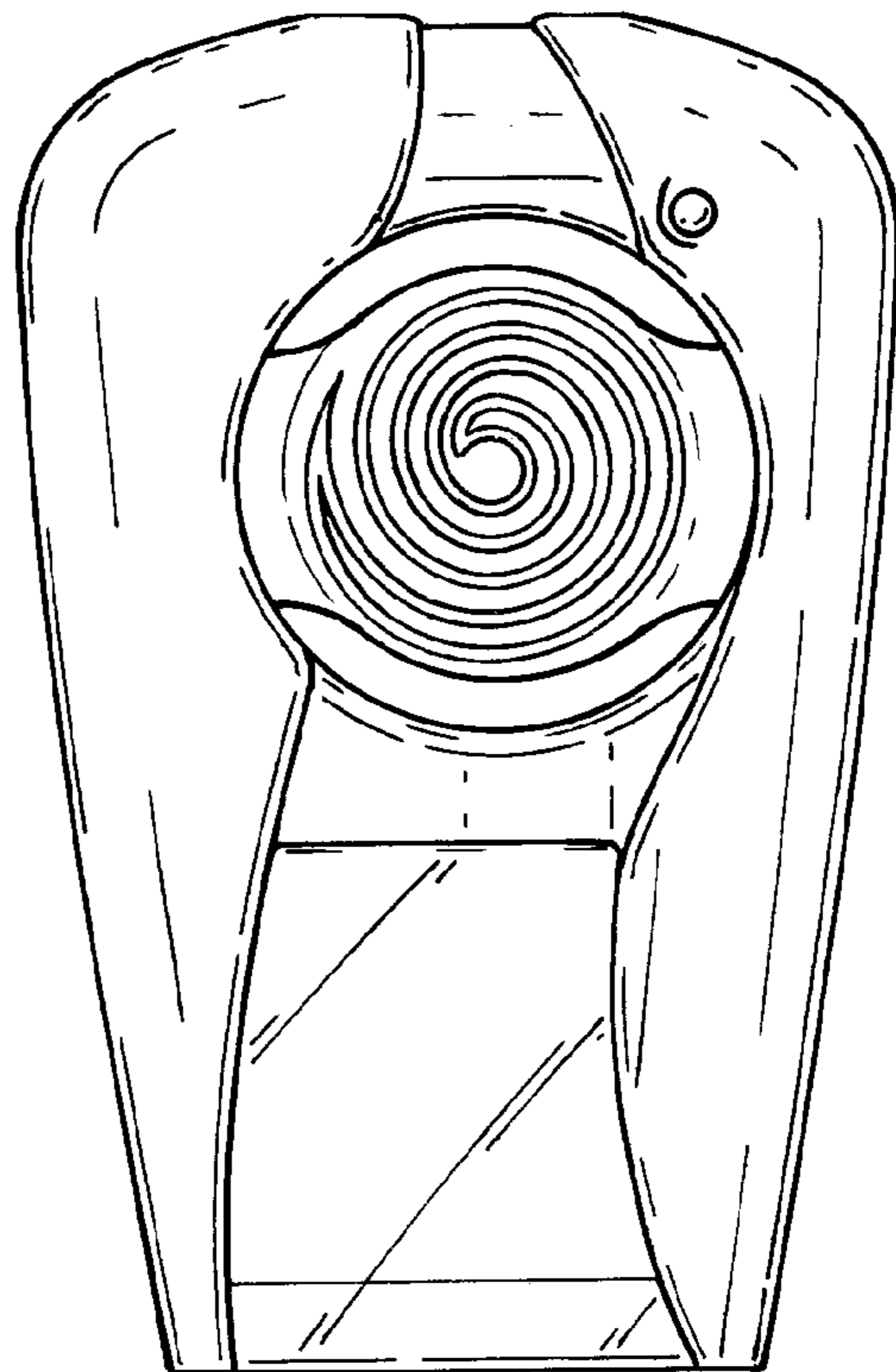


Fig.2.

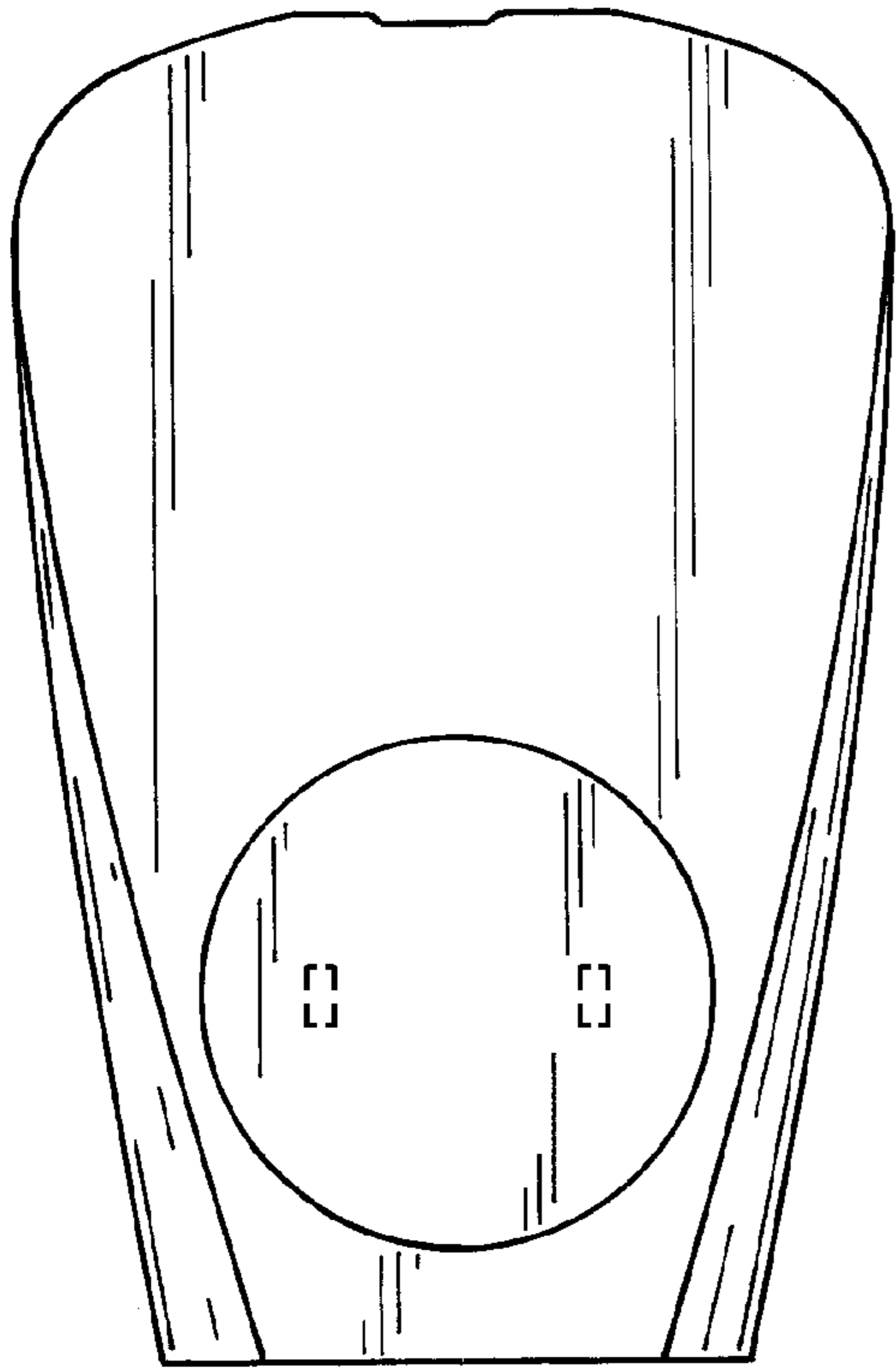


Fig.3.

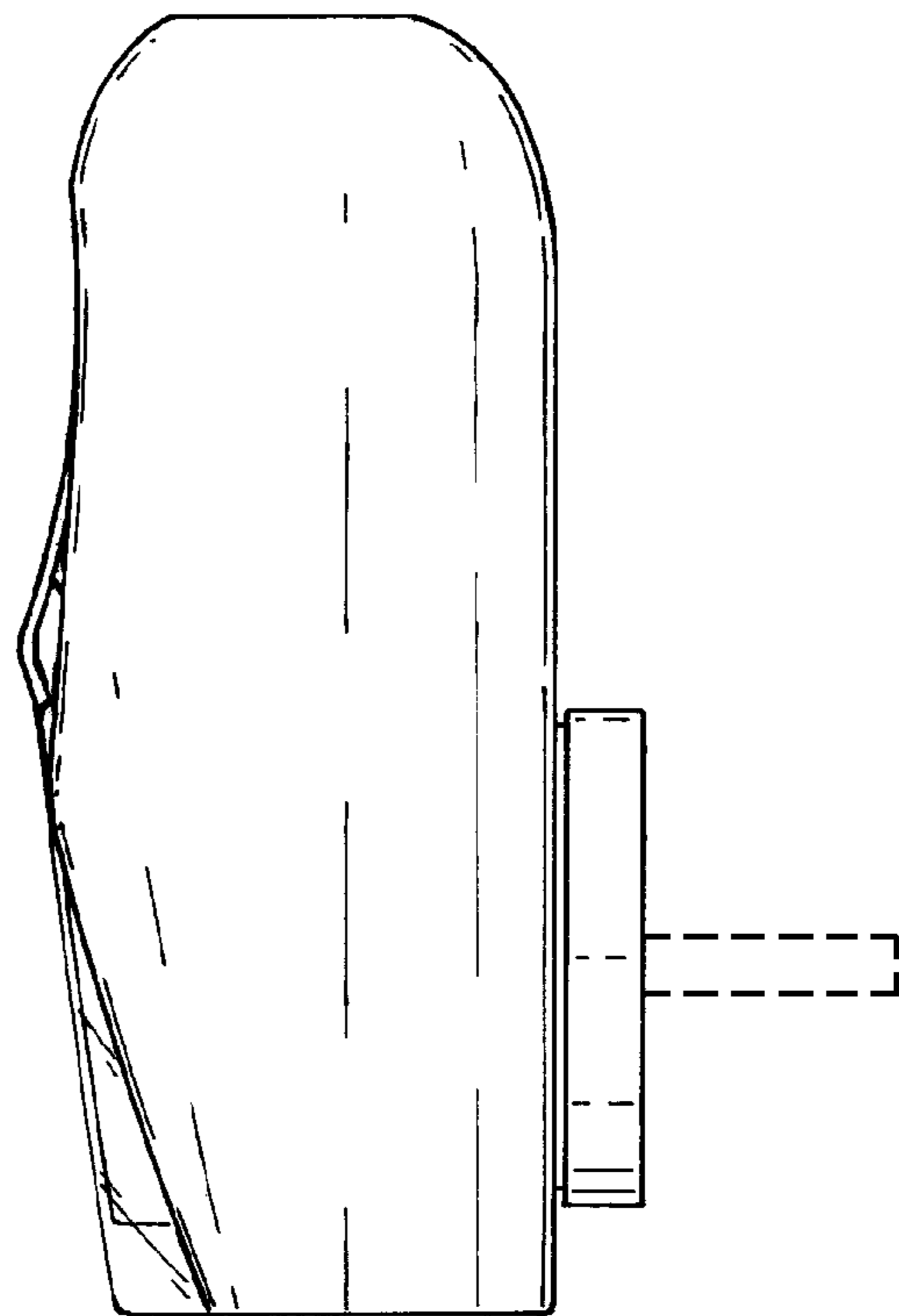


Fig.4.

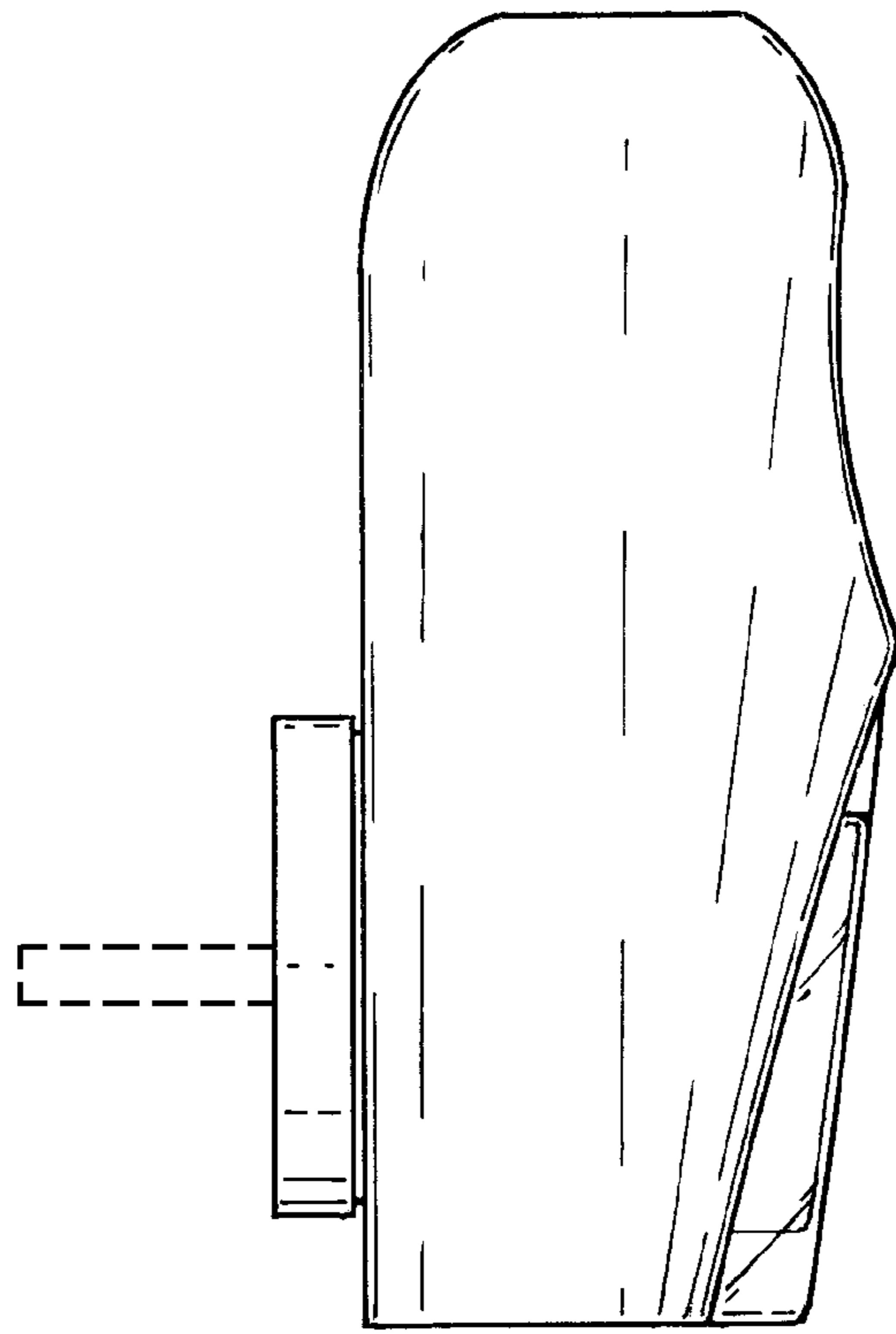


Fig. 5.

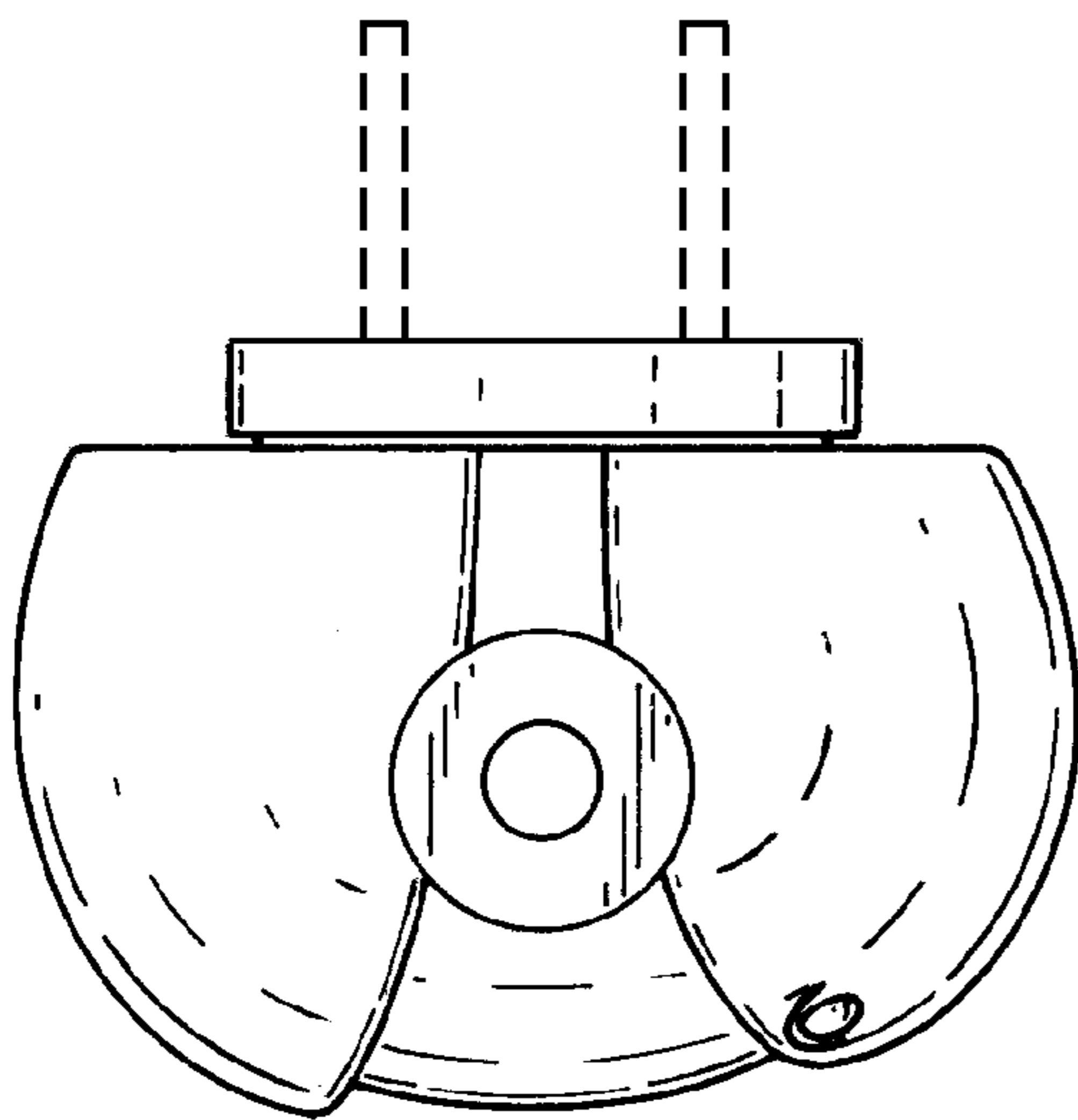


Fig. 6.

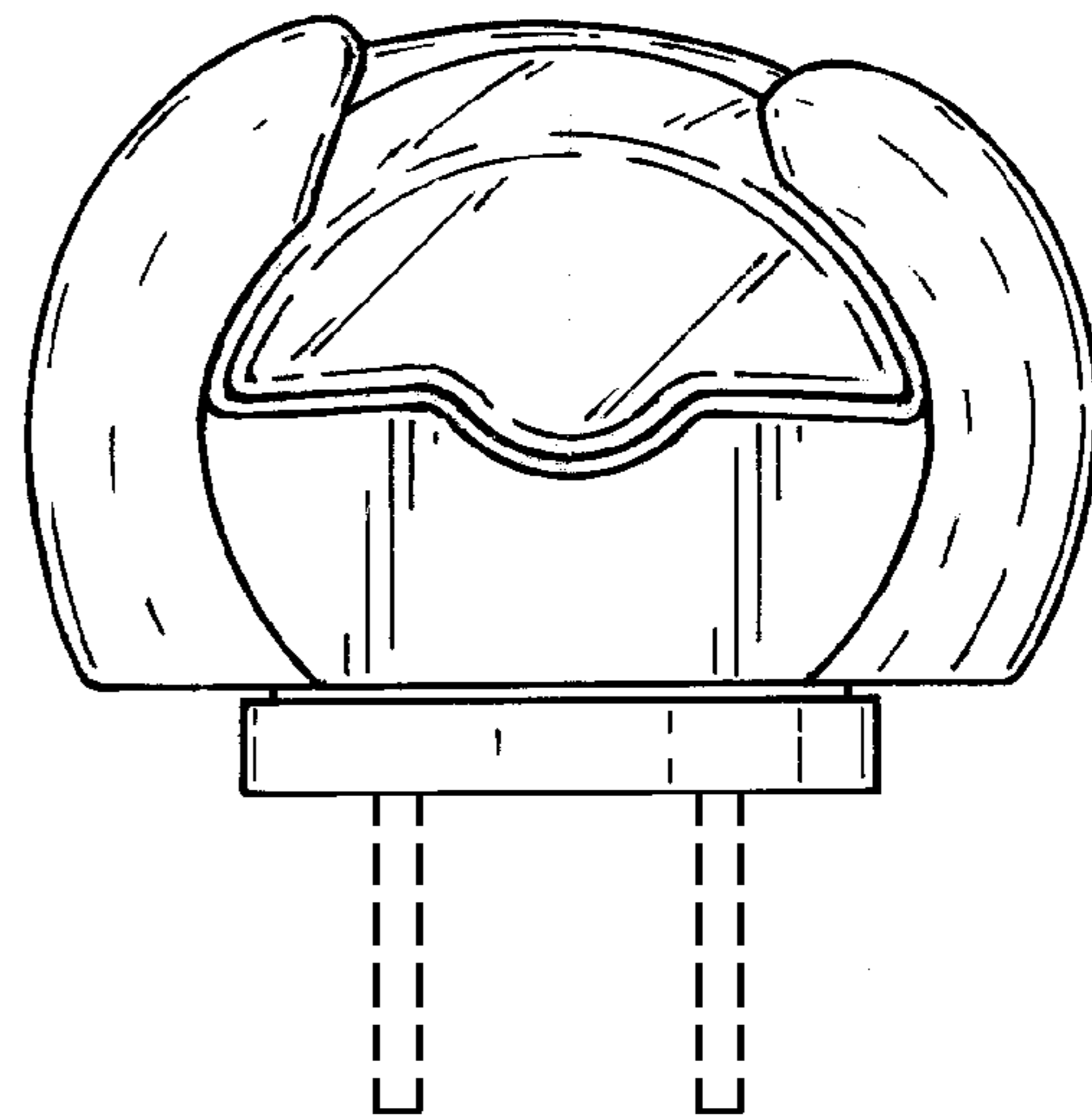


Fig. 7.