



US00D561881S

(12) **United States Design Patent**
Huang

(10) **Patent No.:** **US D561,881 S**

(45) **Date of Patent:** **** Feb. 12, 2008**

(54) **HUMIDIFIER**

(75) Inventor: **Kuo-Fu Huang**, Tainan (TW)

(73) Assignee: **Royal-G Enterprise Co., Ltd.**, Tainan (TW)

(**) Term: **14 Years**

(21) Appl. No.: **29/274,884**

(22) Filed: **Jun. 5, 2007**

(51) **LOC (8) Cl.** **23-04**

(52) **U.S. Cl.** **D23/356**

(58) **Field of Classification Search** D23/364,
D23/355, 356, 359, 352, 362, 360, 332, 333,
D23/335, 336, 342; 422/120, 122; 55/356,
55/473, 504; 210/497.1; 96/97; D14/188,
D14/170, 172; 261/DIG. 65

See application file for complete search history.

(56) **References Cited**

U.S. PATENT DOCUMENTS

D384,733 S	*	10/1997	Jane et al.	D23/335
D384,734 S	*	10/1997	Ellwood	D23/335
D386,564 S	*	11/1997	Mycroft	D23/355
D396,529 S	*	7/1998	Yuen	D23/355
D425,975 S	*	5/2000	Wolfe	D23/356
D426,876 S	*	6/2000	Rossman et al.	D23/332
D437,635 S	*	2/2001	Lozzio et al.	D23/364

D441,065 S	*	4/2001	Ediger et al.	D23/335
D446,291 S	*	8/2001	Birdsell et al.	D23/332
D450,110 S	*	11/2001	Montagnino et al.	D23/356
D516,688 S	*	3/2006	Blateri	D23/335
D538,416 S	*	3/2007	Ediger et al.	D23/335
D545,952 S	*	7/2007	Ching et al.	D23/342

* cited by examiner

Primary Examiner—Ian Simmons

Assistant Examiner—David G Muller

(74) *Attorney, Agent, or Firm*—Rosenberg, Klein & Lee

(57) **CLAIM**

The ornamental design for a humidifier, as shown and described.

DESCRIPTION

FIG. 1 is a perspective view of a humidifier showing my new design;

FIG. 2 is a front elevational view thereof;

FIG. 3 is a rear elevational view thereof;

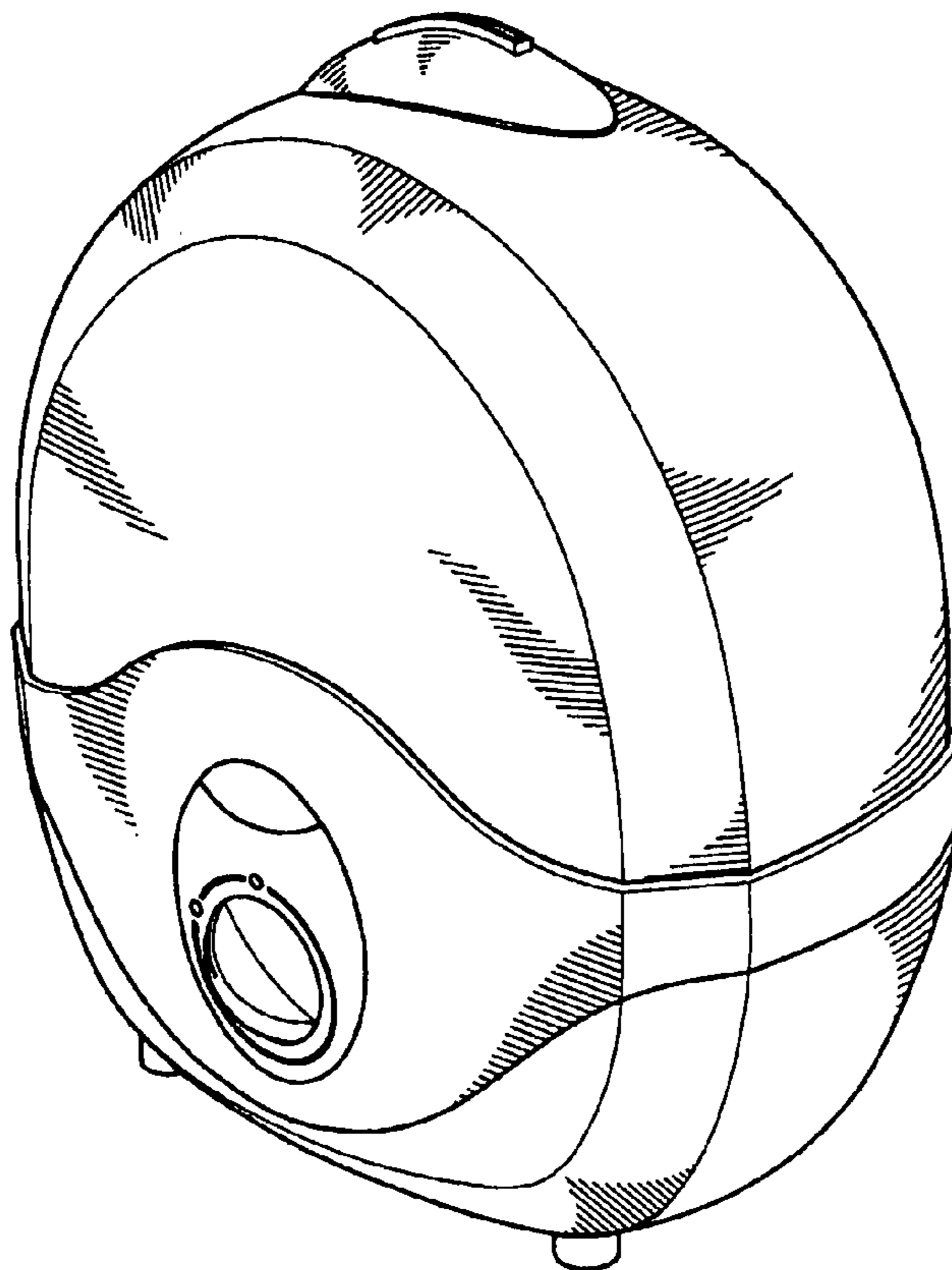
FIG. 4 is a left side elevational view thereof;

FIG. 5 is a right side elevational view thereof;

FIG. 6 is a top plan view thereof; and,

FIG. 7 is a bottom plan view thereof.

1 Claim, 4 Drawing Sheets



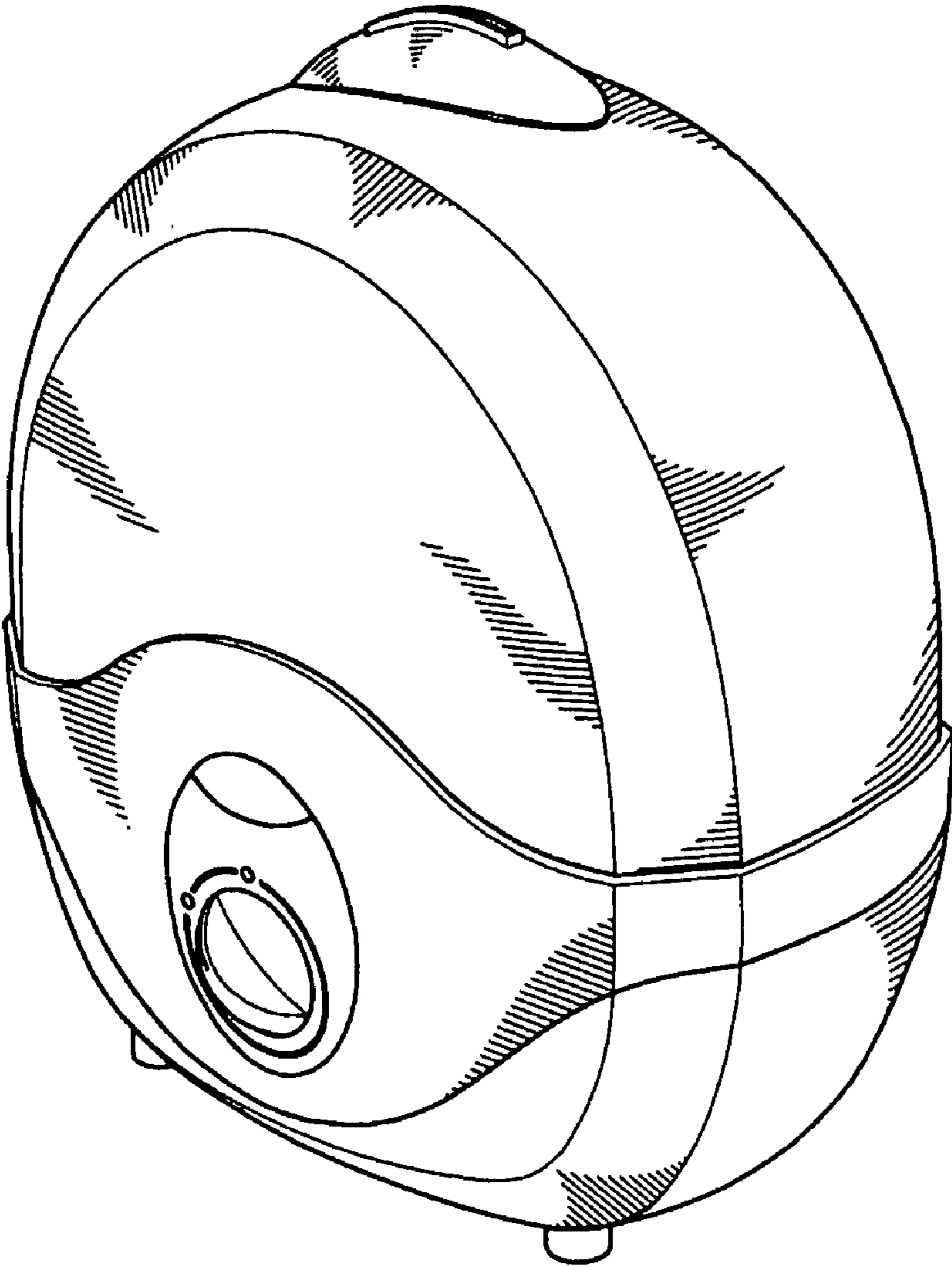


FIG. 1

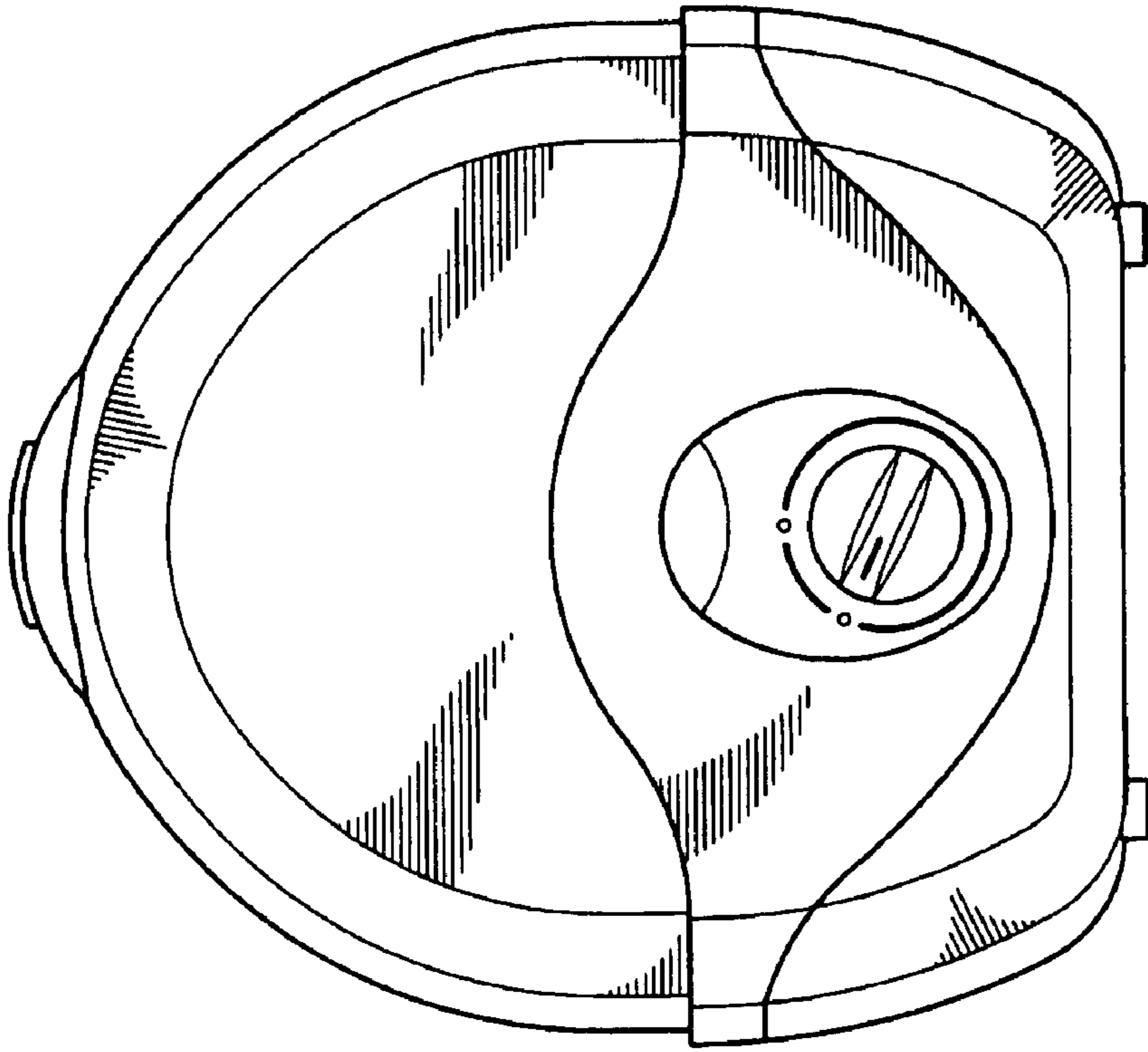


FIG. 2

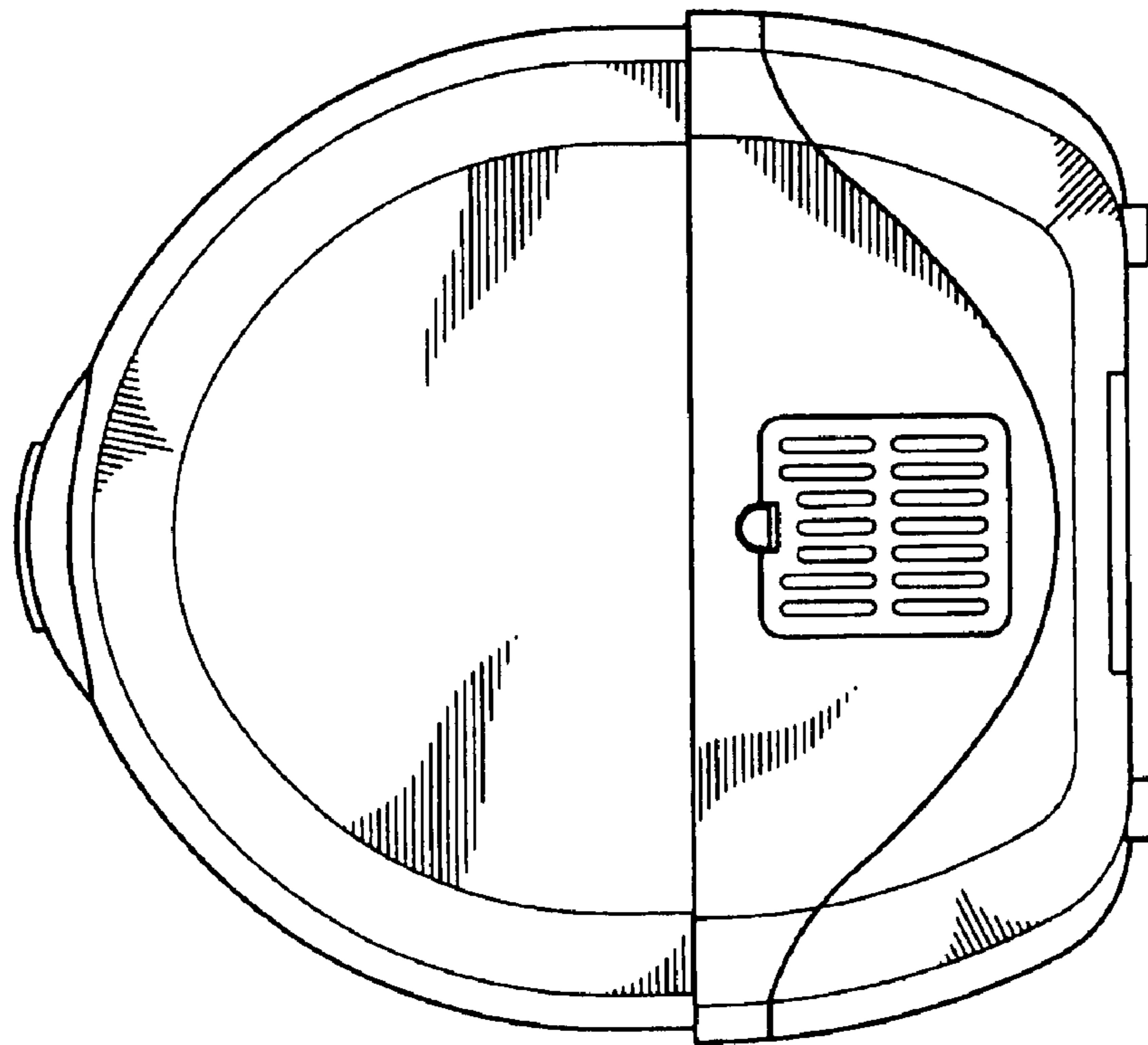


FIG. 3

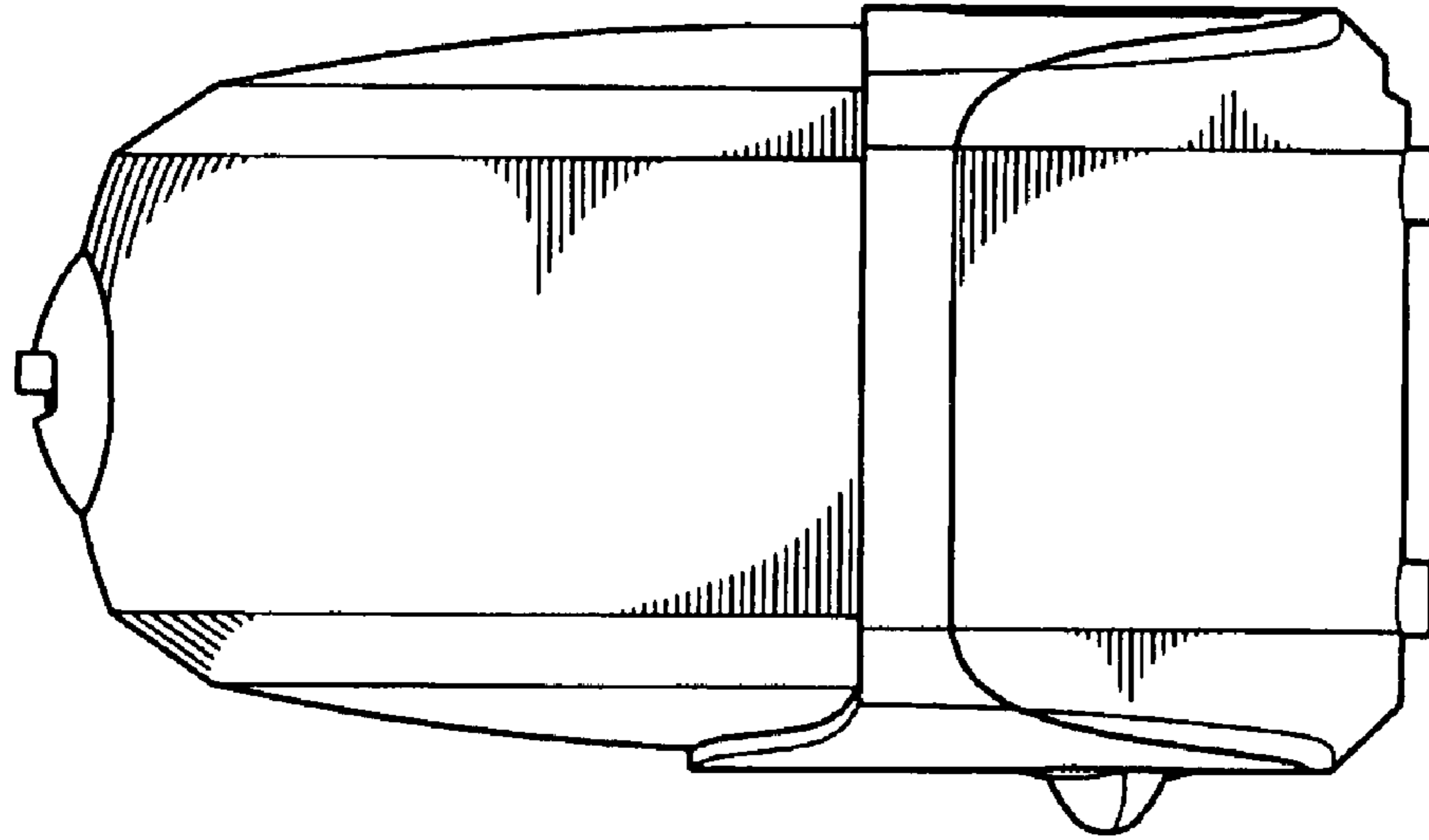


FIG. 5

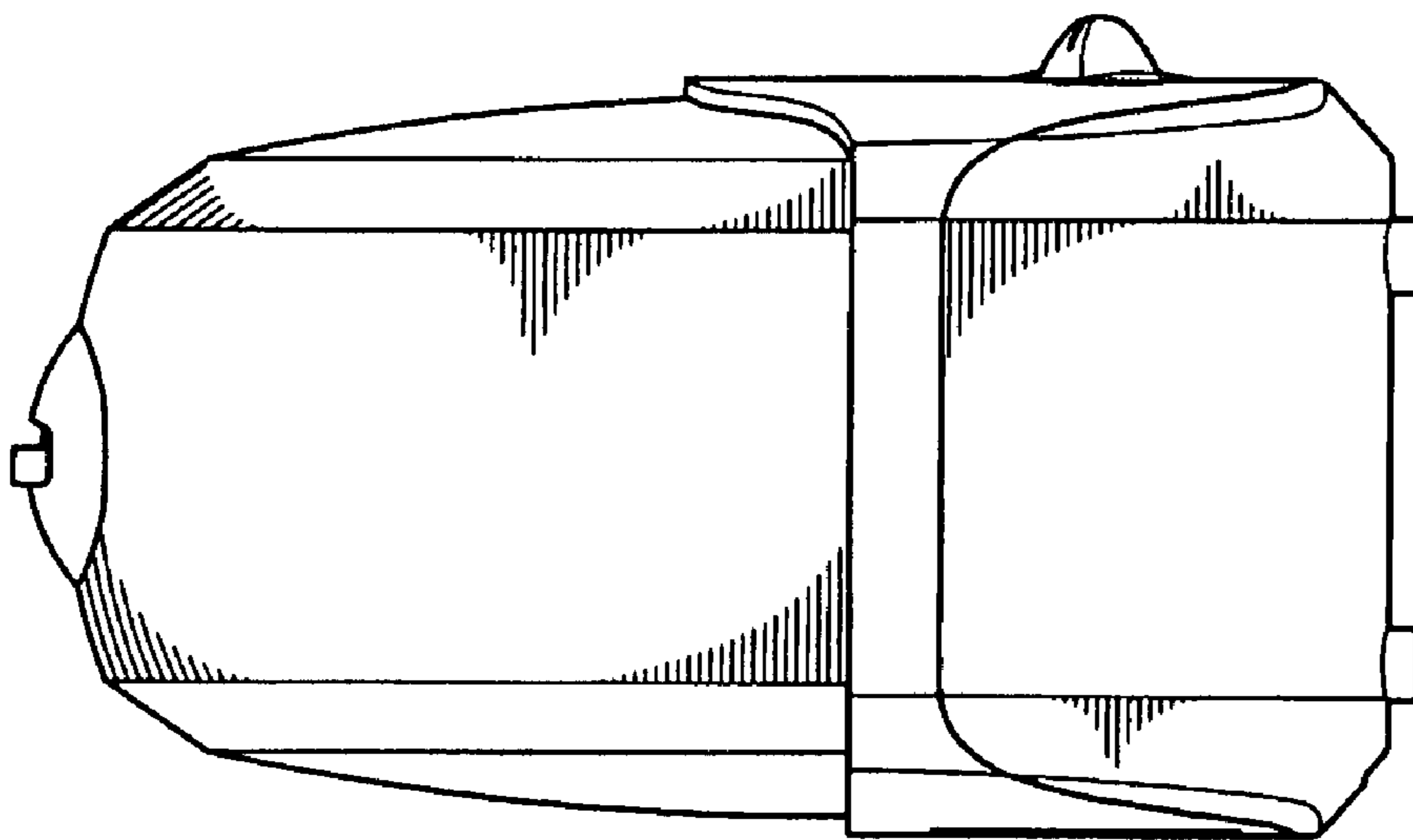


FIG. 4

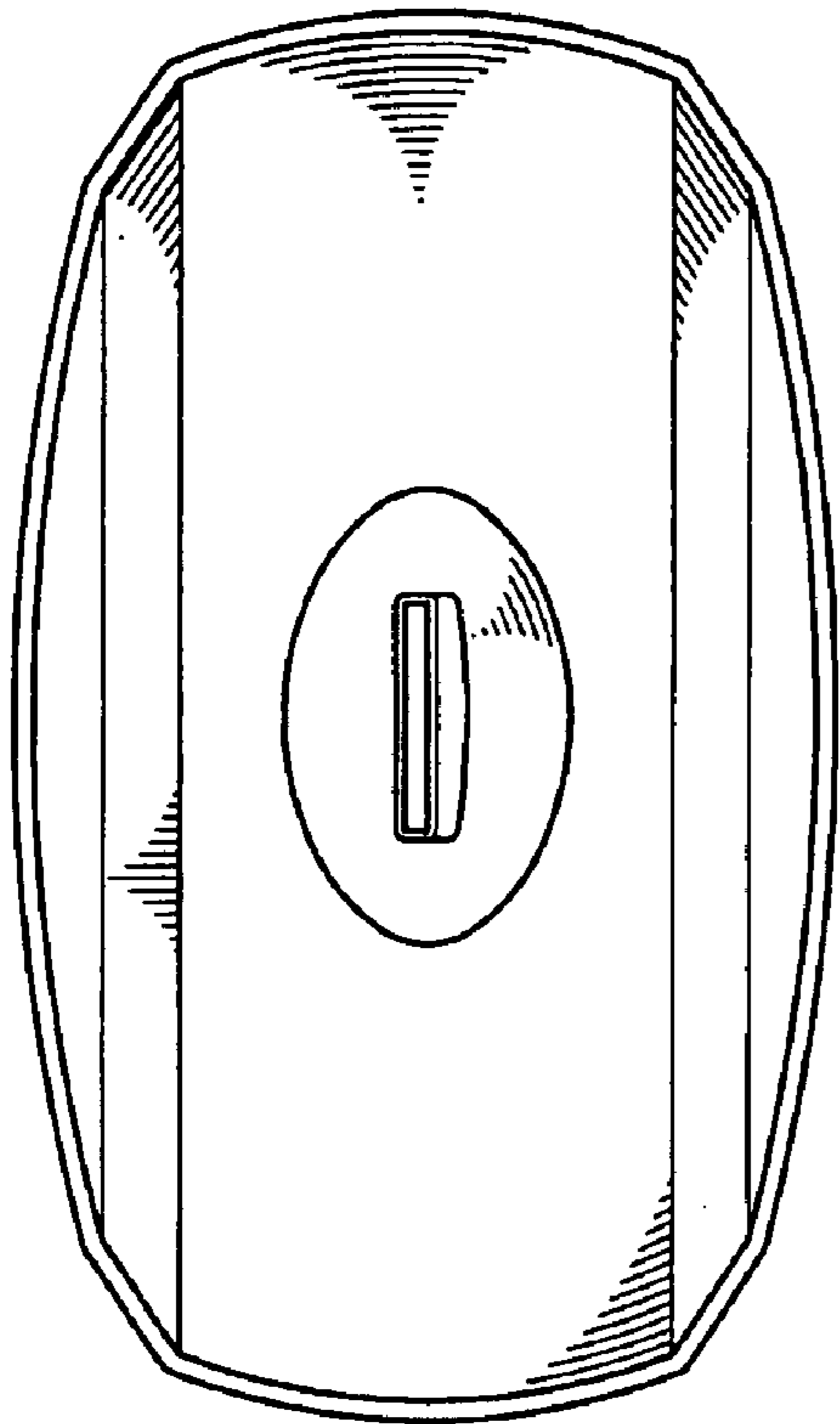


FIG. 6

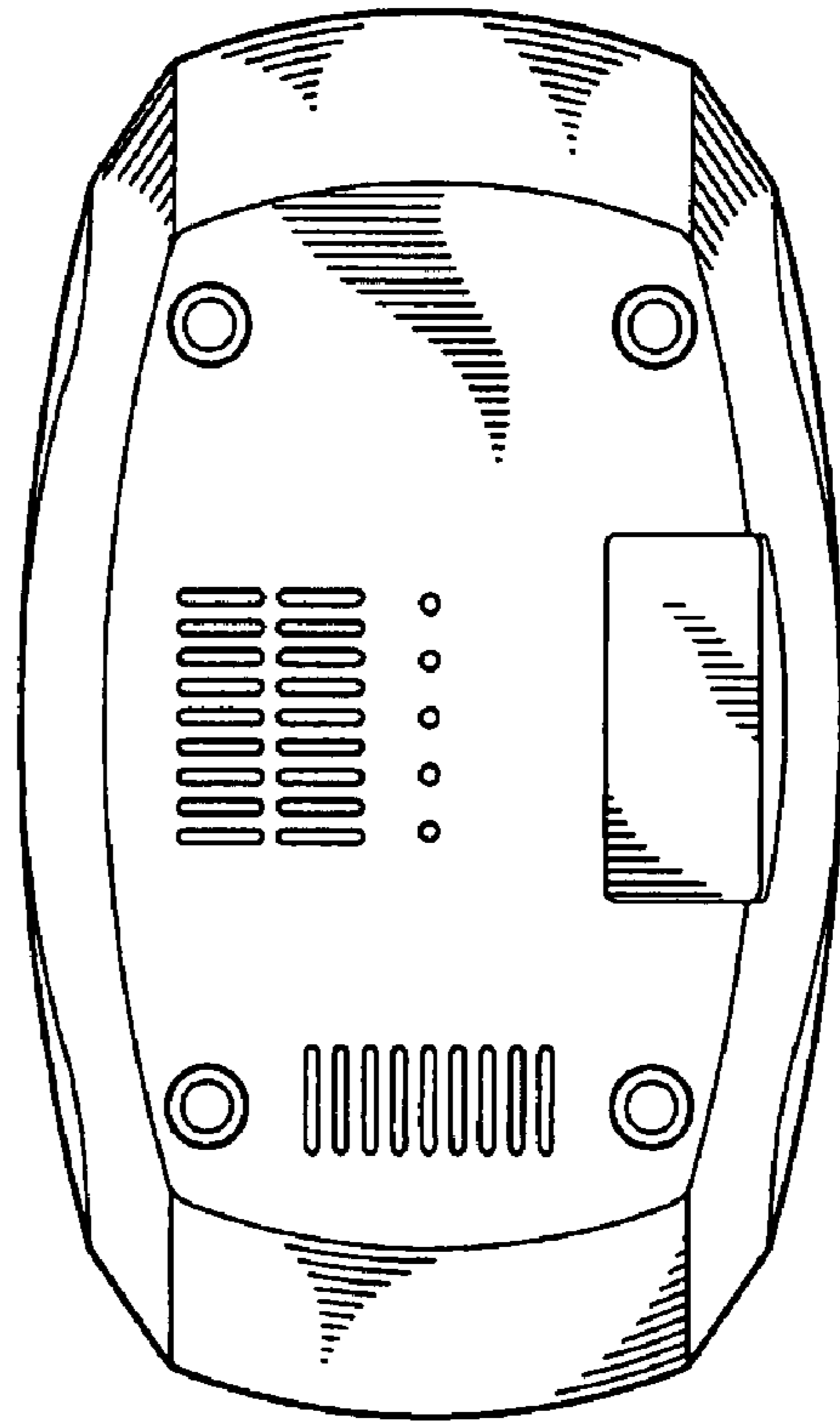


FIG. 7