

US00D561879S

(12) **United States Design Patent**
Gilbert et al.

(10) **Patent No.:** **US D561,879 S**

(45) **Date of Patent:** **** *Feb. 12, 2008**

(54) **SINK**

(75) Inventors: **Christopher Jon Gilbert**, Moreland Hills, OH (US); **Jennifer Sedwick**, Lakewood, OH (US)

(73) Assignee: **Moen Incorporated**, North Olmsted, OH (US)

(*) Notice: This patent is subject to a terminal disclaimer.

(**) Term: **14 Years**

(21) Appl. No.: **29/258,451**

(22) Filed: **Apr. 20, 2006**

(51) **LOC (8) Cl.** **23-02**

(52) **U.S. Cl.** **D23/293.1**

(58) **Field of Classification Search** D23/270-273, D23/284-287, 289, 291-293.1, 303, 308; 4/619, 630-631, 637, 661, 638, 656-657; D21/524

See application file for complete search history.

(56) **References Cited**

U.S. PATENT DOCUMENTS

33,115 A	8/1861	Walch
43,002 A	6/1864	Brady
240,146 A	4/1881	Kilbourne
300,983 A	6/1884	Kilbourne
417,441 A	12/1889	Reader
D19,711 S	3/1890	Torrance
450,895 A	4/1891	Shattuck
555,485 A	2/1896	Johnston
943,750 A	12/1909	Leeking
1,642,853 A	9/1927	Gloekler

D82,118 S	9/1930	Steele	
1,778,300 A *	10/1930	Ramstead	4/630
D126,226 S	1/1941	Steiner	
2,672,255 A	3/1954	Mustee	
D174,042 S	2/1955	Kiefer	
D191,432 S	10/1961	Chapman	
D200,845 S	4/1965	Aarnio	
3,369,261 A	2/1968	Tiller	
D210,828 S	4/1968	Mustee	
3,495,276 A *	2/1970	Suess	4/661

(Continued)

Primary Examiner—Robert A. Delehanty

(74) *Attorney, Agent, or Firm*—Calfee Halter & Griswold LLP

(57) **CLAIM**

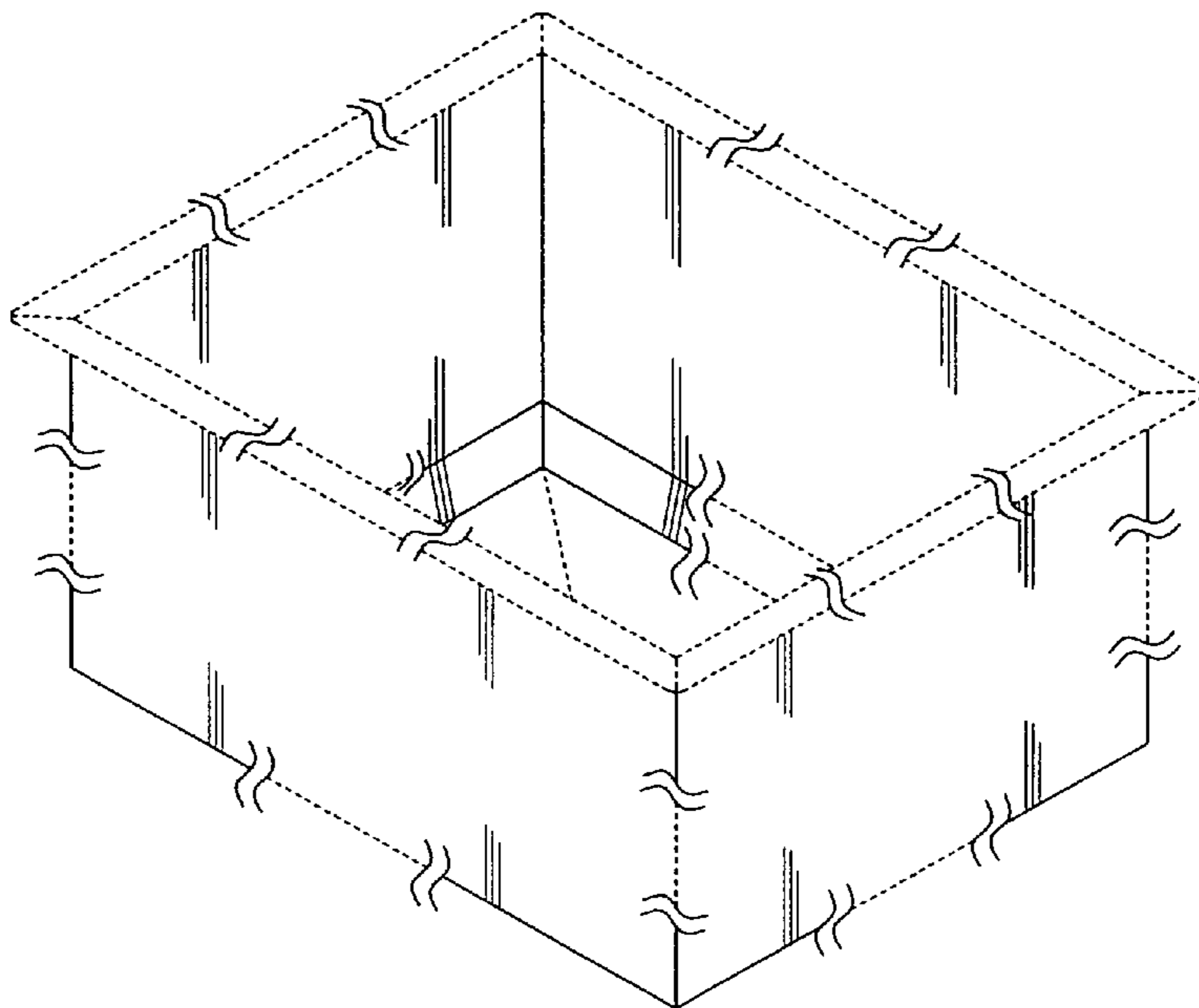
The ornamental design for a sink, as shown and described.

DESCRIPTION

FIG. 1 is a perspective view of a sink of the new design; FIG. 2 is a front elevational view of the sink of FIG. 1, the rear elevational view being a mirror image; FIG. 3 is a right side elevational view of the sink of FIG. 1, the left side elevational view being a mirror image; FIG. 4 is a top plan view of the sink of FIG. 1; and, FIG. 5 is a bottom plan view of the sink of FIG. 1.

The portions of the Figures shown in broken lines are not part of the claimed design and are for illustration only. The pairs of wavy lines in the Figures represent boundaries of the claimed design and are not part of the claimed design. The portions between such pairs of wavy lines are of indeterminate length.

1 Claim, 3 Drawing Sheets



US D561,879 S

Page 2

U.S. PATENT DOCUMENTS

D219,323 S	11/1970	Bost	D495,791 S	9/2004	Bayer et al.
D232,093 S	7/1974	Schrock	D498,291 S	11/2004	Bayer
D319,095 S	8/1991	Lenahan	D498,520 S	11/2004	Rachiele
5,494,718 A	2/1996	Adams et al.	D498,521 S	11/2004	Bayer
D412,204 S	7/1999	Slothower et al.	D499,797 S	12/2004	Bates
D416,991 S	11/1999	Caplow	D500,843 S	1/2005	Takou
D437,035 S	1/2001	Roberts	D504,496 S	4/2005	Bayer
D442,679 S	5/2001	Roberts	D505,188 S	5/2005	Bayer
D456,497 S	4/2002	Prou	D507,040 S	7/2005	Ferrer Beltran
D484,956 S	1/2004	Rachiele	D508,555 S	8/2005	Ziemann
D485,333 S	1/2004	Freeman	2004/0068790 A1	4/2004	Simpkins
D492,983 S	7/2004	Rachiele			

* cited by examiner

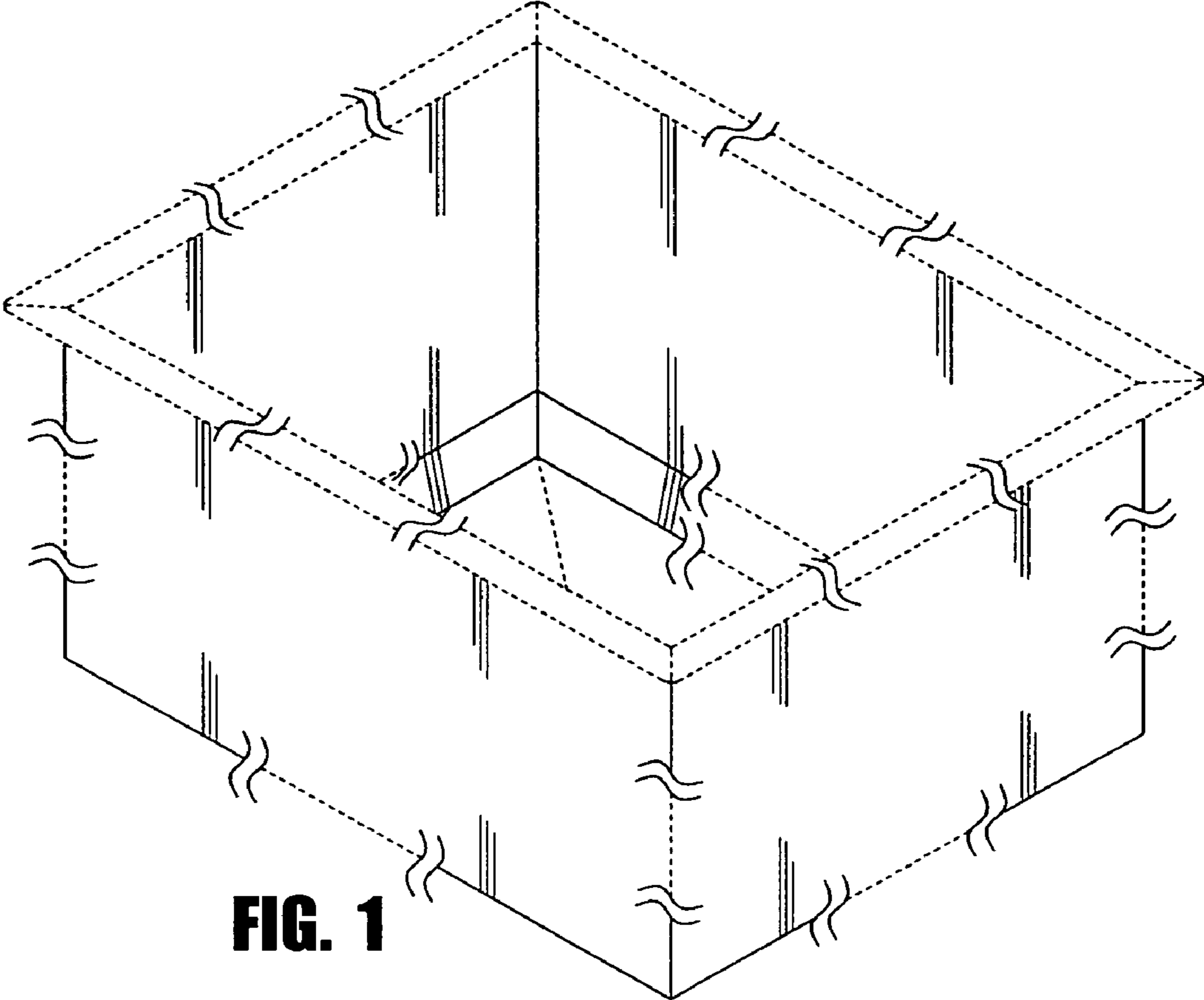


FIG. 1

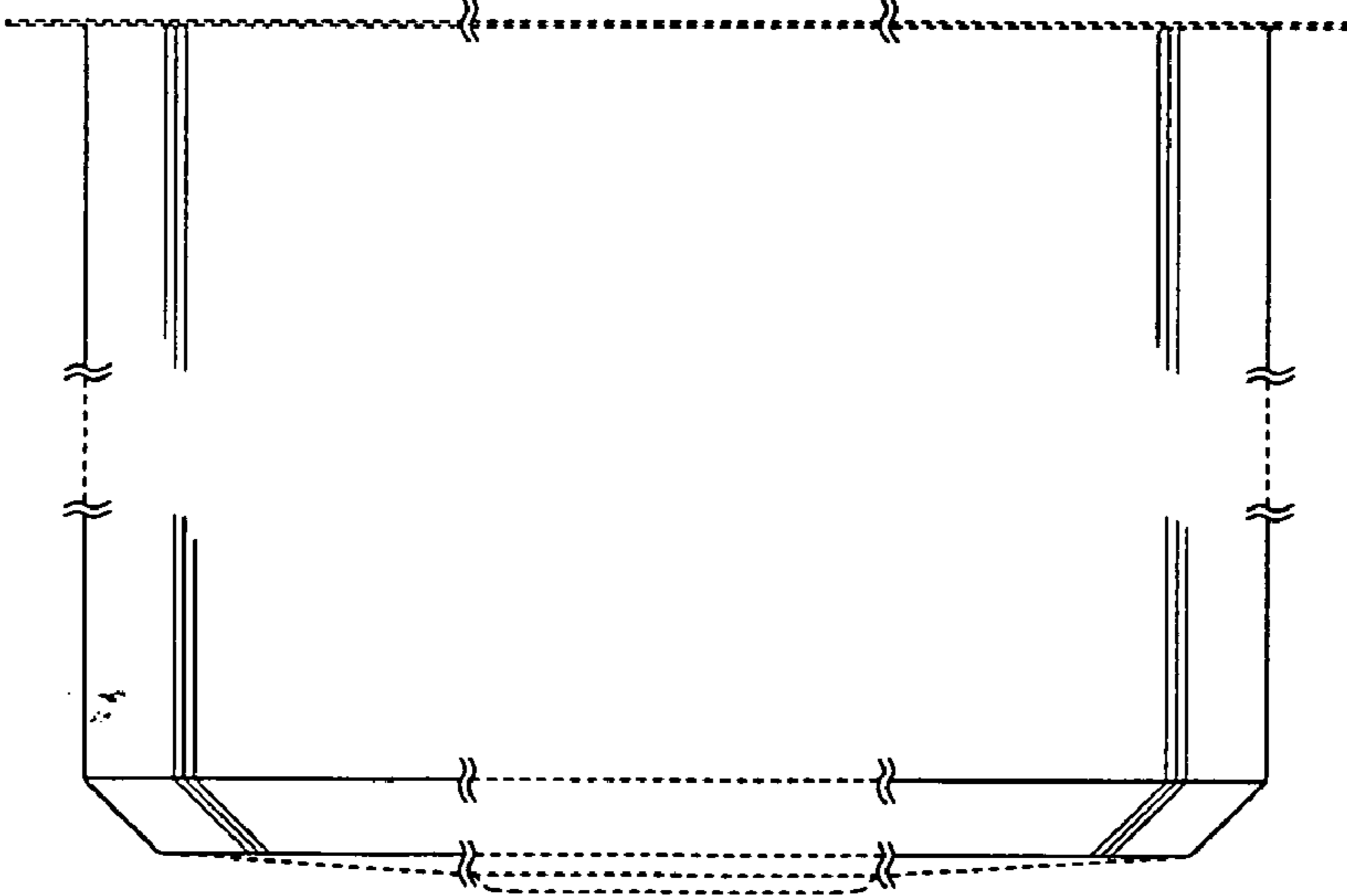


FIG. 2

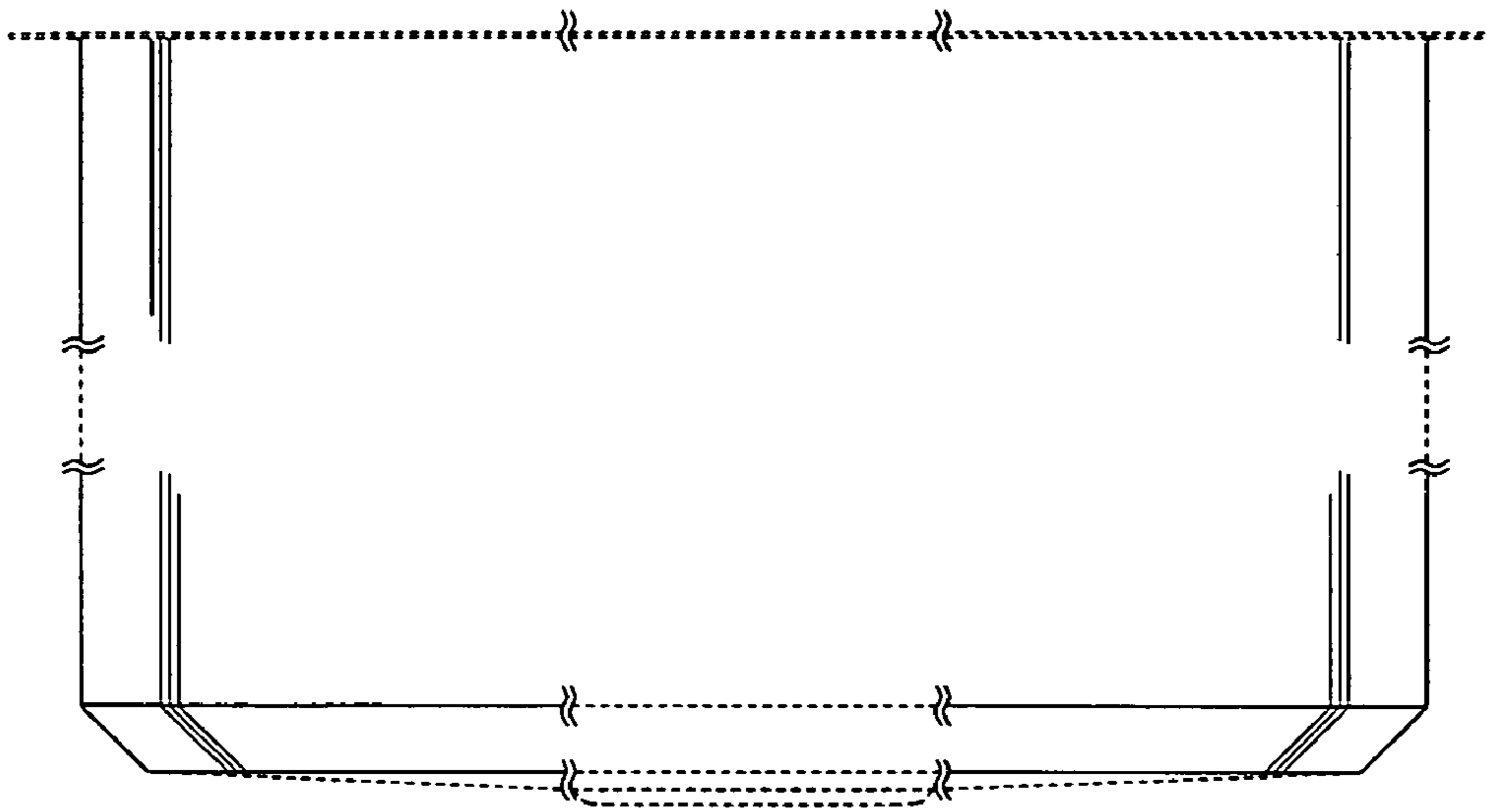


FIG. 3

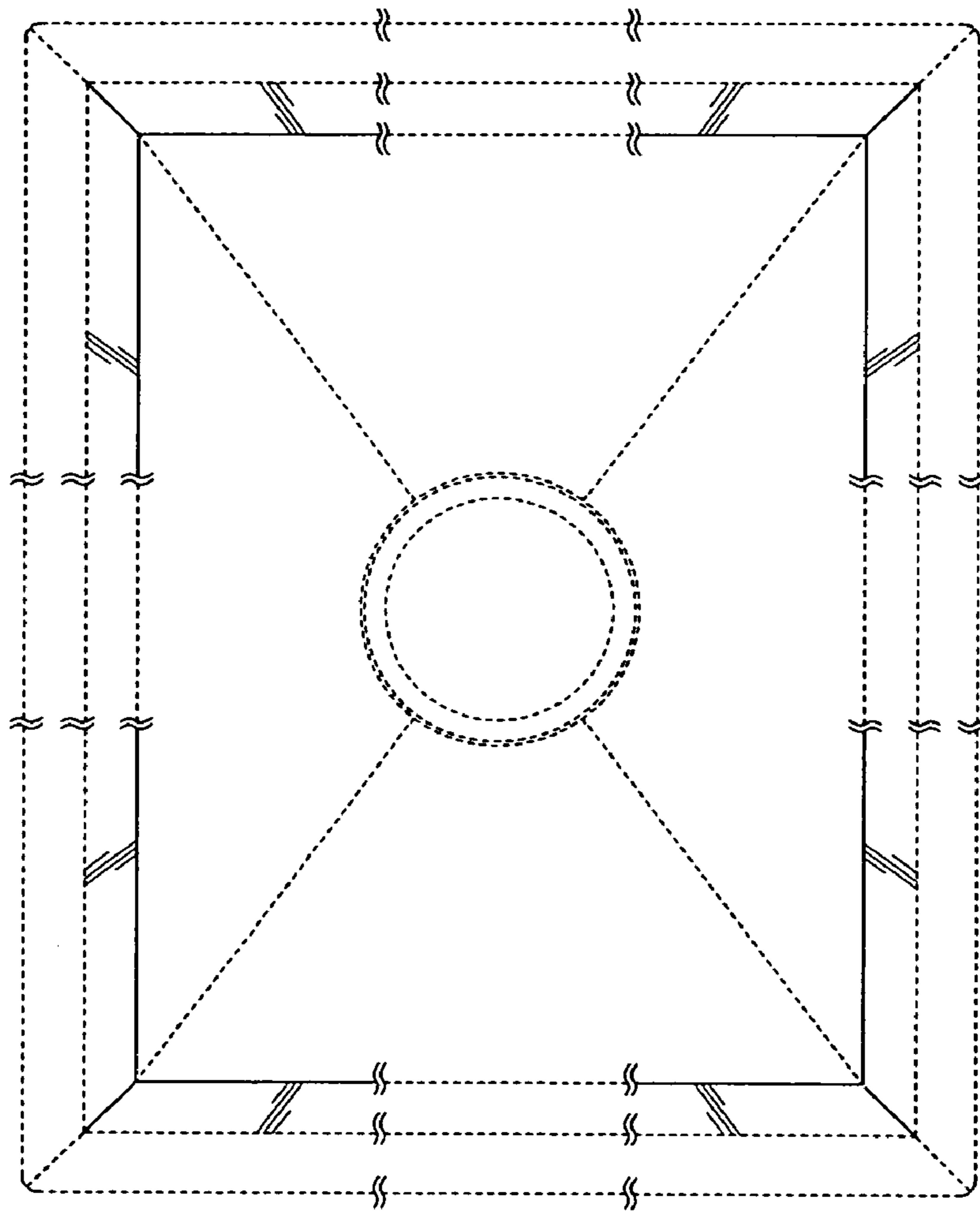


FIG. 4

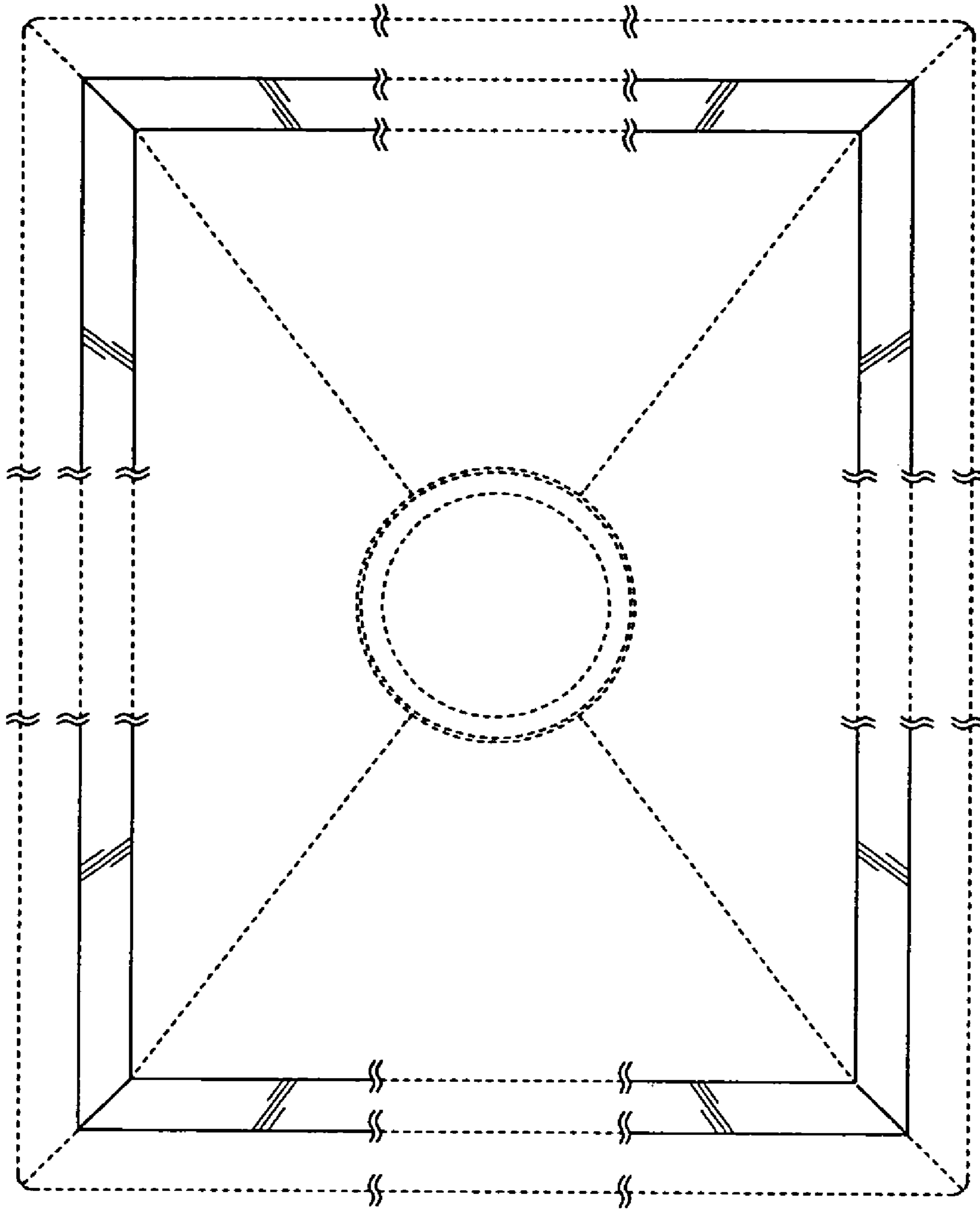


FIG. 5