



US00D561877S

(12) **United States Design Patent** (10) **Patent No.:** **US D561,877 S**
Hopkins et al. (45) **Date of Patent:** **** Feb. 12, 2008**

(54) SEAL CARRIER FOR ULTRAHIGH-PRESSURE FLUID SYSTEMS	5,350,200 A	9/1994	Peterson et al.	285/92
	5,489,127 A	2/1996	Anglin et al.	285/328
	5,493,954 A	2/1996	Kostohris et al.	92/168
(75) Inventors: Jordan J. Hopkins , Seattle, WA (US); Adrian Hawes , Seattle, WA (US)	5,588,680 A	12/1996	Cassel et al.	285/3
	5,667,255 A	9/1997	Kato	285/133.4
	5,725,259 A	3/1998	Dials	285/334.4
(73) Assignee: Flow International Corporation , Kent, WA (US)	D423,087 S *	4/2000	Houseman	D23/259
	6,045,162 A	4/2000	Haibara	285/55
(**) Term: 14 Years	6,045,165 A	4/2000	Sugino et al.	285/333
	6,086,070 A	7/2000	Tremoulet, Jr. et al.	277/586

(21) Appl. No.: **29/250,411**

(22) Filed: **Nov. 13, 2006**

Related U.S. Application Data

(63) Continuation-in-part of application No. 10/423,661, filed on Apr. 25, 2003, now Pat. No. 7,247,006, which is a continuation-in-part of application No. 10/038,507, filed on Jan. 2, 2002, now Pat. No. 6,802,541.

(51) **LOC (8) Cl.** **23-01**

(52) **U.S. Cl.** **D23/263**

(58) **Field of Classification Search** D15/7;
D23/259-269; 137/138, 247, 315.32, 384;
60/772, 39.162; 277/305, 422; 415/113;
416/129

See application file for complete search history.

(56) **References Cited**

U.S. PATENT DOCUMENTS

2,321,927 A	6/1943	McCoy et al.	286/27
3,429,581 A	2/1969	Himmel	277/180
3,877,113 A	4/1975	Reyes	24/11 M
4,181,332 A	1/1980	Neumann	285/334.4
4,239,244 A	12/1980	Brent	277/188
D258,508 S *	3/1981	Serrambana	D15/7
4,540,205 A	9/1985	Watanabe et al.	285/329
4,817,962 A	4/1989	Mott et al.	277/1
5,002,316 A	3/1991	Chohan	285/110
5,007,276 A	4/1991	Kadis et al.	72/351
5,120,084 A	6/1992	Hashimoto	285/156
5,143,410 A	9/1992	Takikawa	285/197
5,172,939 A	12/1992	Hashimoto	285/24

(Continued)

FOREIGN PATENT DOCUMENTS

DE	801 602	1/1951
EP	1 397 493	6/1975
GB	1 344 894	1/1974

Primary Examiner—Ian Simmons

Assistant Examiner—Eric L Goodman

(74) *Attorney, Agent, or Firm*—Seed IP Law Group PLLC

(57) **CLAIM**

The ornamental design for a seal carrier for ultrahigh-pressure fluid systems, as shown and described.

DESCRIPTION

FIG. 1 is a top perspective view of a seal carrier for ultrahigh-pressure fluid systems, showing our new design.

FIG. 2 is a bottom plan view thereof.

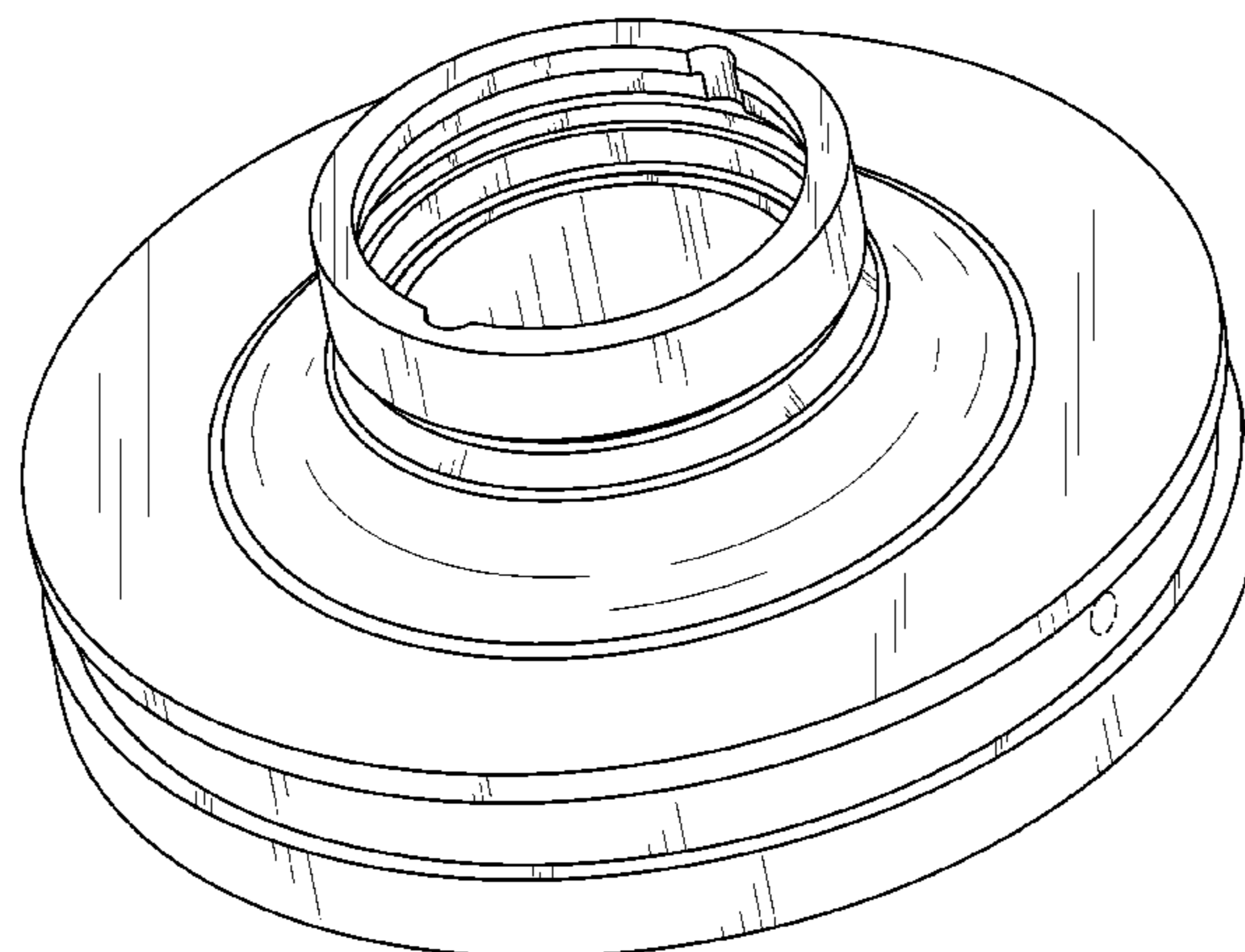
FIG. 3 is a left side elevational view thereof, front and rear elevational views being identical.

FIG. 4 is a right side elevational view thereof; and,

FIG. 5 is a top plan view thereof.

The broken lines in the figures are for illustrative purposes only and form no part of the claimed design.

1 Claim, 4 Drawing Sheets



US D561,877 S

Page 2

U.S. PATENT DOCUMENTS

D435,090	S	*	12/2000	Stout, Jr.	D23/269		
6,162,031	A		12/2000	Tremoulet, Jr.	417/569		
D436,157	S	*	1/2001	Houseman	D23/259		
6,241,492	B1		6/2001	Pacht	417/567		
6,279,965	B1		8/2001	Kida	285/268		
6,305,693	B1		10/2001	Wehrle	277/377		
6,312,022	B1		11/2001	Brophy, III et al.	285/268		
D465,061	S	*	10/2002	Guthrie	D26/138		
D485,889	S	*	1/2004	DuBois	D23/260		
D490,819	S	*	6/2004	Wahlberg	D15/7		
D497,977	S	*	11/2004	Engelbrektsson	D23/269		
D518,559	S	*	4/2006	Ostergaard et al.	D23/262		
D530,400	S	*	10/2006	Ostergaard et al.	D23/262		

* cited by examiner

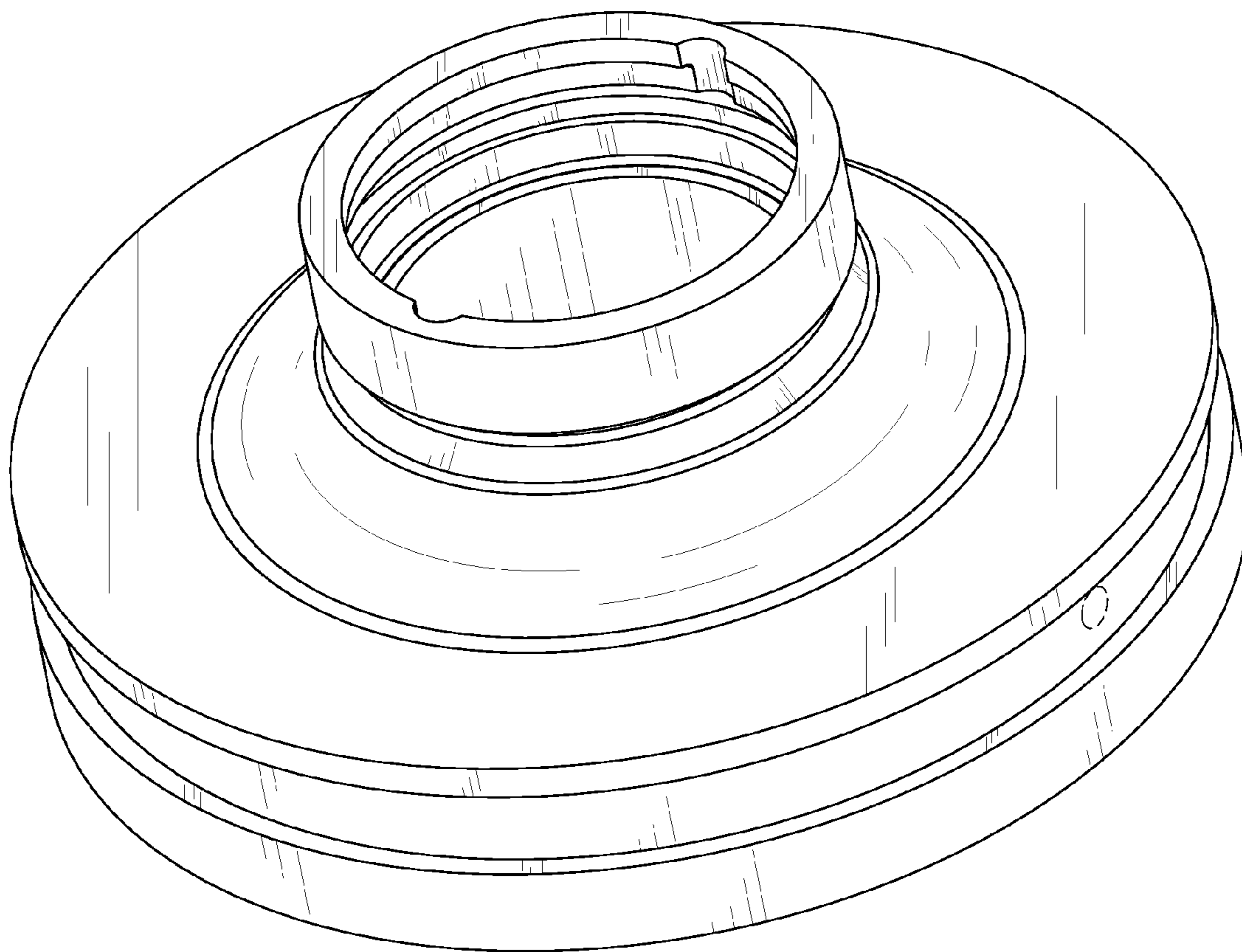


FIG. 1

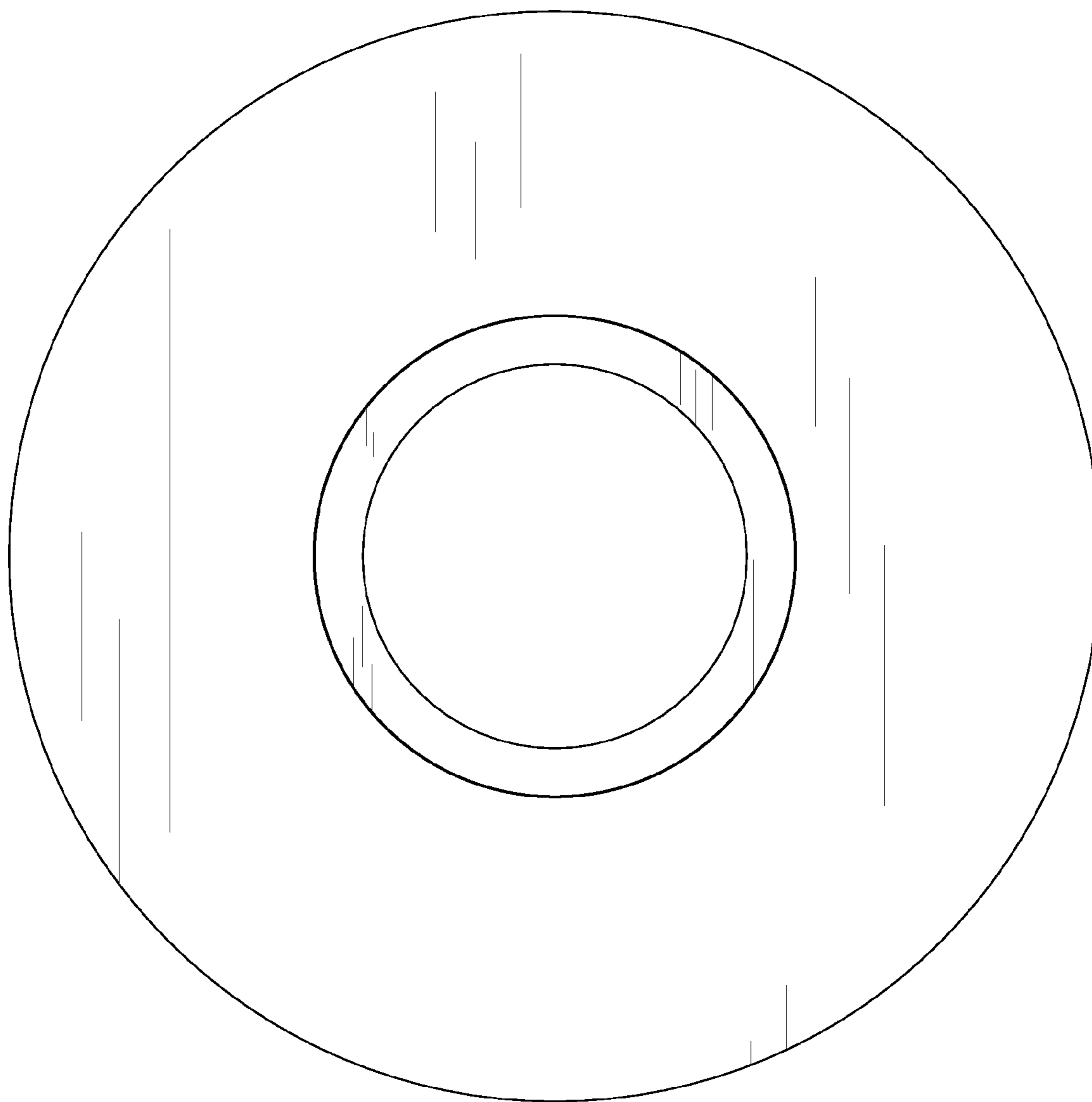


FIG. 2

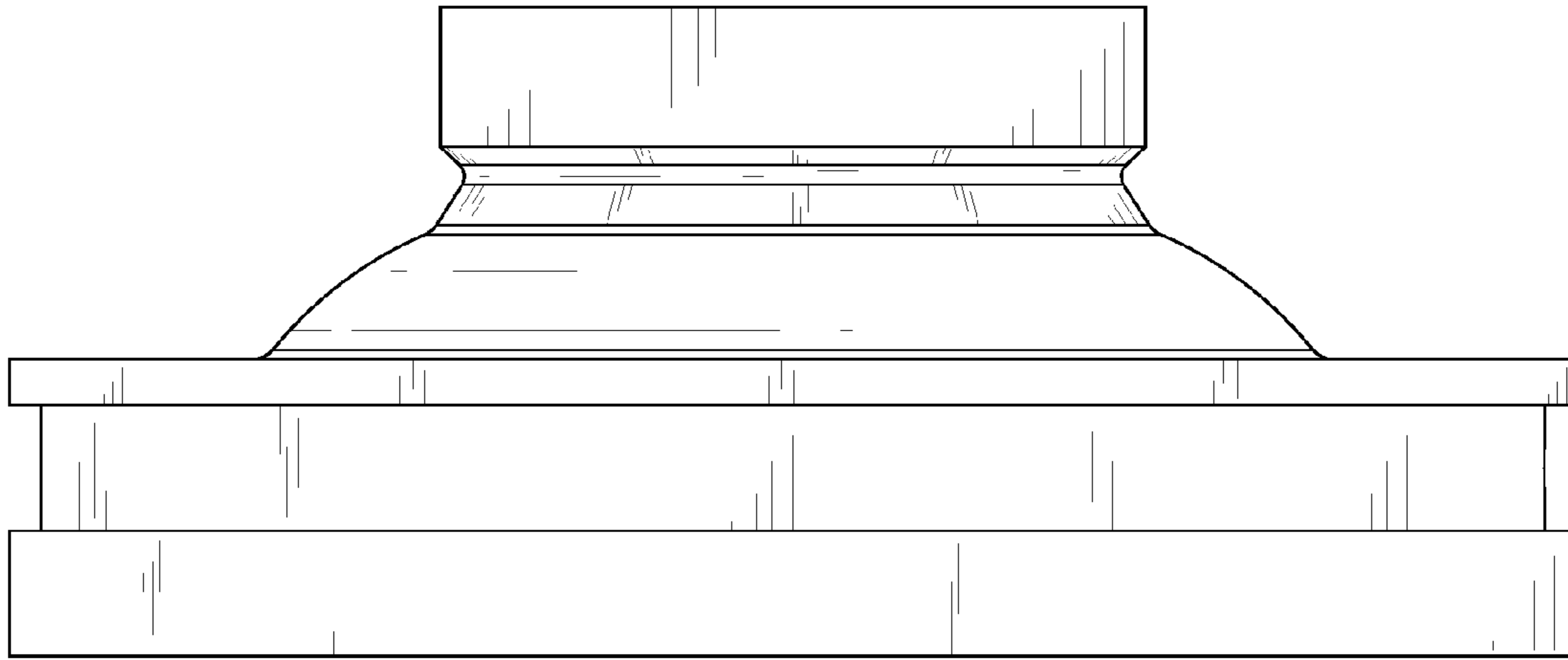


FIG. 3

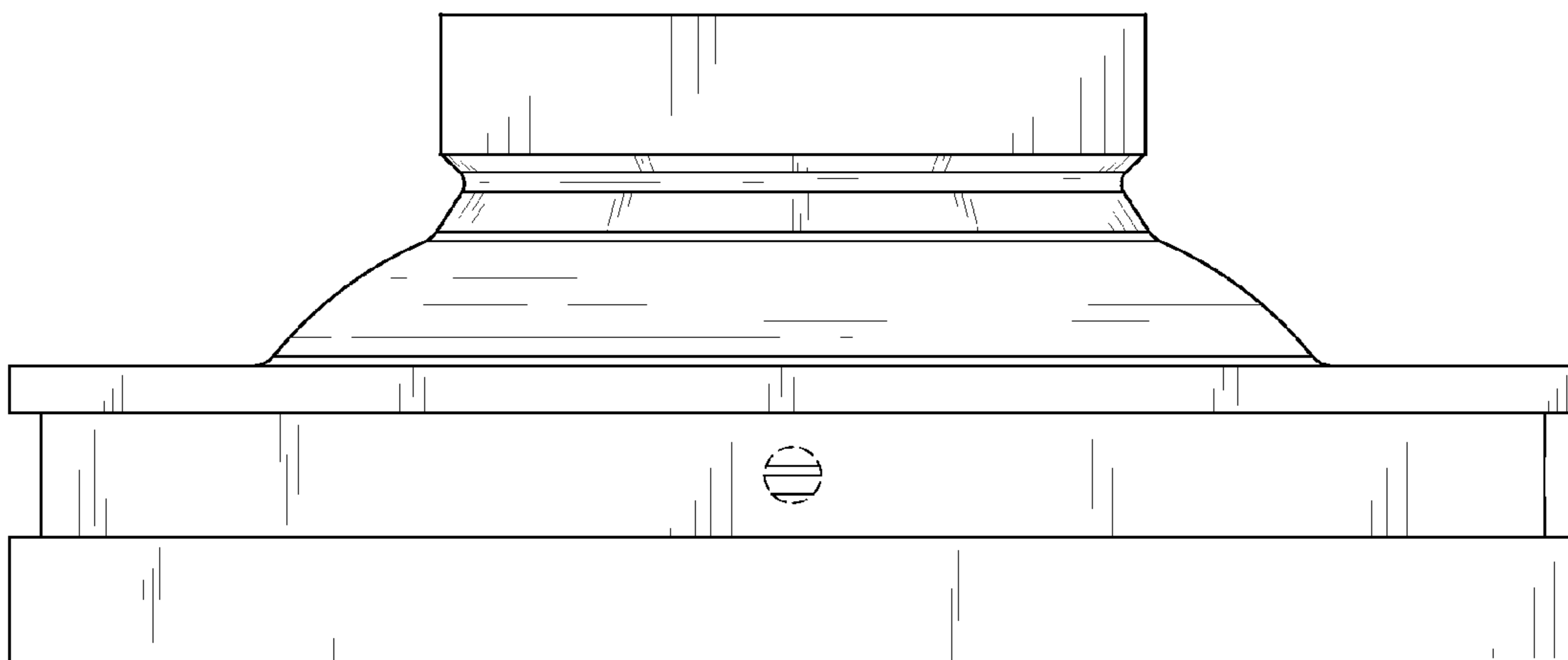


FIG. 4

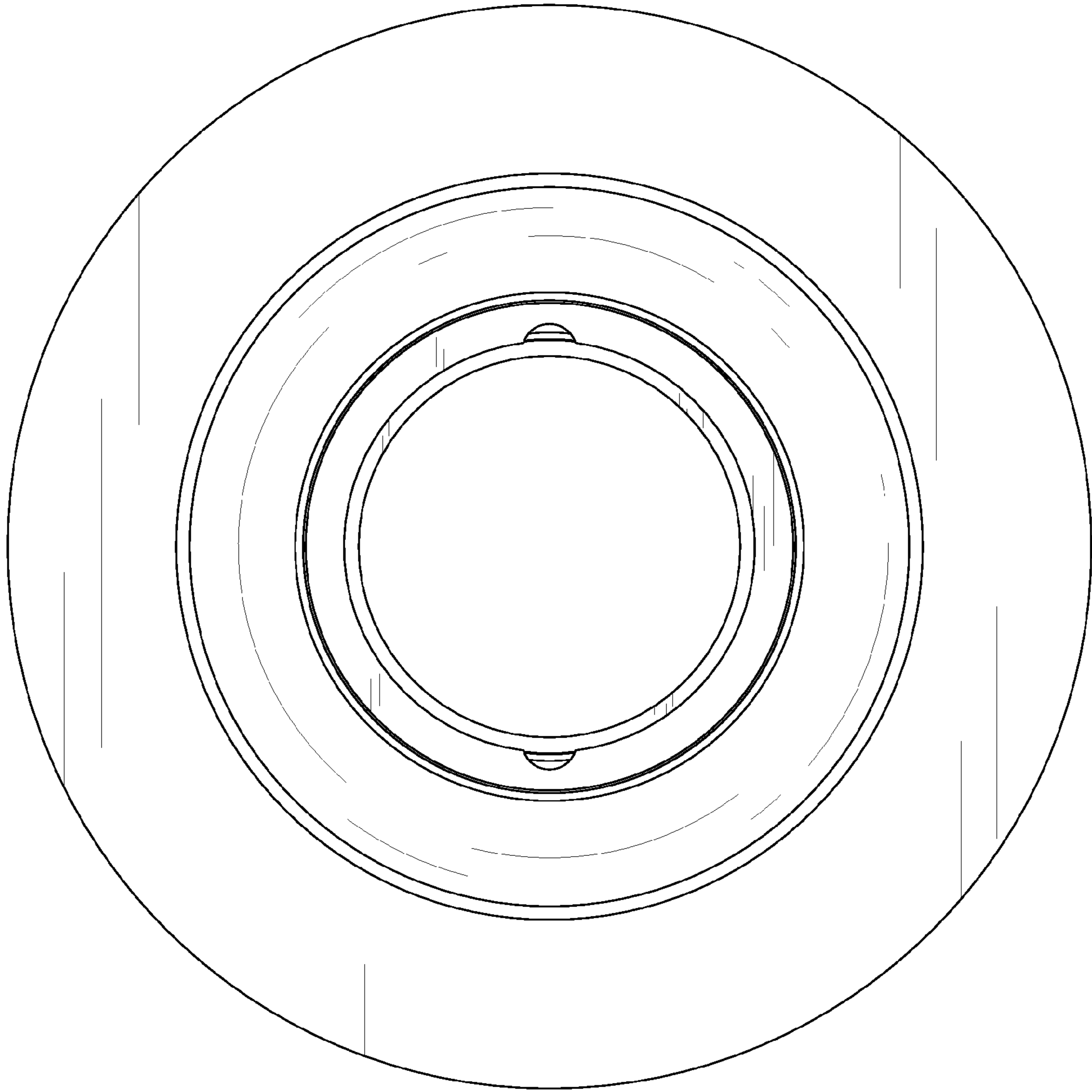


FIG. 5