



US00D561876S

(12) **United States Design Patent**  
**Krumpe et al.**

(10) **Patent No.:** **US D561,876 S**

(45) **Date of Patent:** **\*\* Feb. 12, 2008**

(54) **FAUCET ASSEMBLY**

(75) Inventors: **Geraint Krumpe**, Chicago, IL (US);  
**Victor Hoernig**, Lowell, IN (US)

(73) Assignee: **Brasstech, Inc.**, Santa Ana, CA (US)

(\*\*) Term: **14 Years**

(21) Appl. No.: **29/260,639**

(22) Filed: **May 30, 2006**

(51) **LOC (8) Cl.** ..... **23-01**

(52) **U.S. Cl.** ..... **D23/242**

(58) **Field of Classification Search** ..... D23/238-243,  
D23/250-257; 4/675-678; 137/801  
See application file for complete search history.

(56) **References Cited**

**U.S. PATENT DOCUMENTS**

D520,603 S \* 5/2006 Fritz ..... D23/241

\* cited by examiner

*Primary Examiner*—Robert A. Delehanty

(74) *Attorney, Agent, or Firm*—Edgar A. Zarins; Lloyd D. Doigan

(57) **CLAIM**

The ornamental design for a faucet assembly, as shown and described.

**DESCRIPTION**

FIG. 1 is a front perspective view of a faucet assembly showing our design;

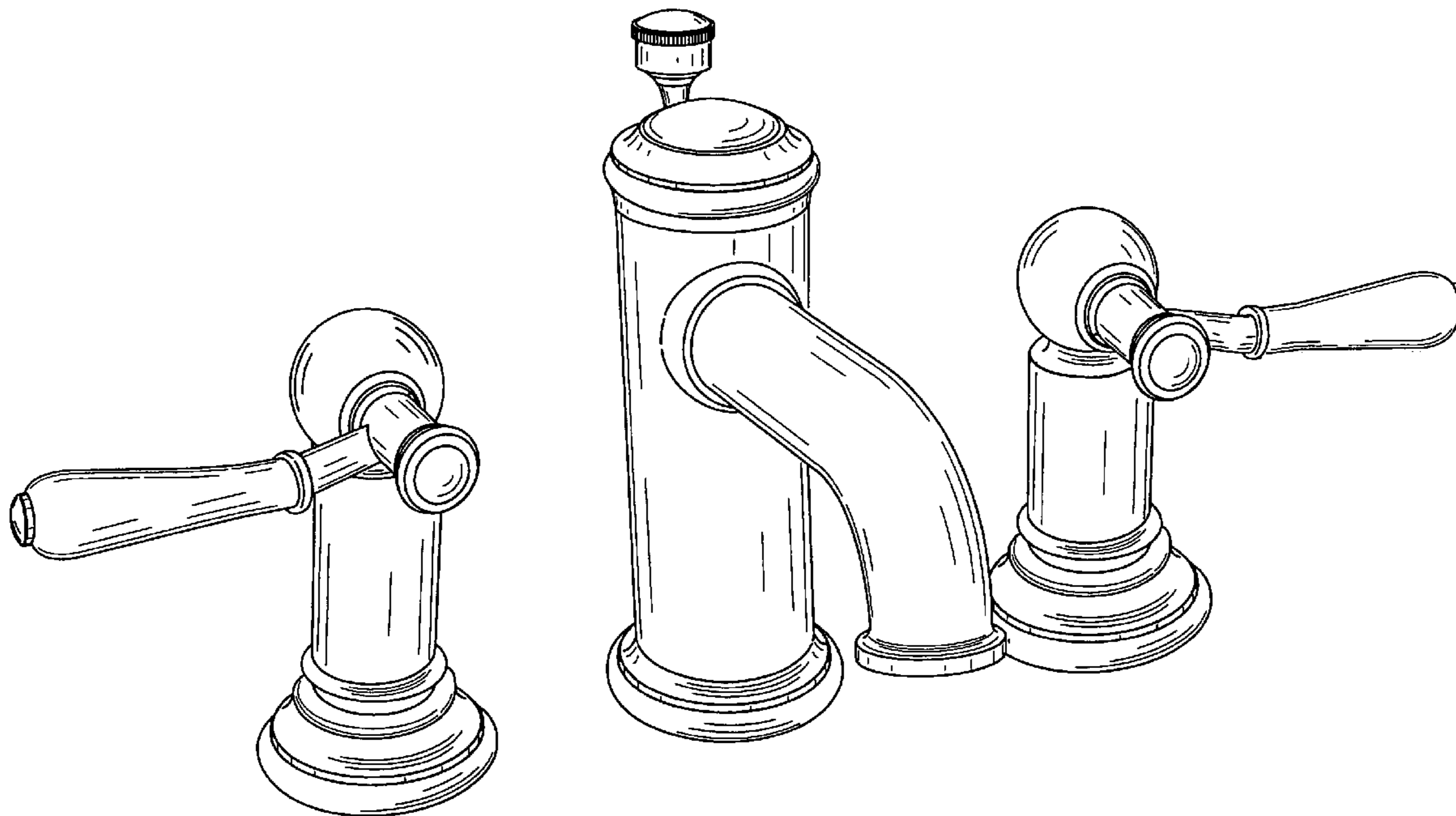
FIG. 2 is a front elevational view thereof;

FIG. 3 is a rear elevational view thereof;

FIG. 4 is a left side elevational view thereof; the right side elevational view being a mirror image thereof; and,

FIG. 5 is a top plan view thereof.

**1 Claim, 5 Drawing Sheets**



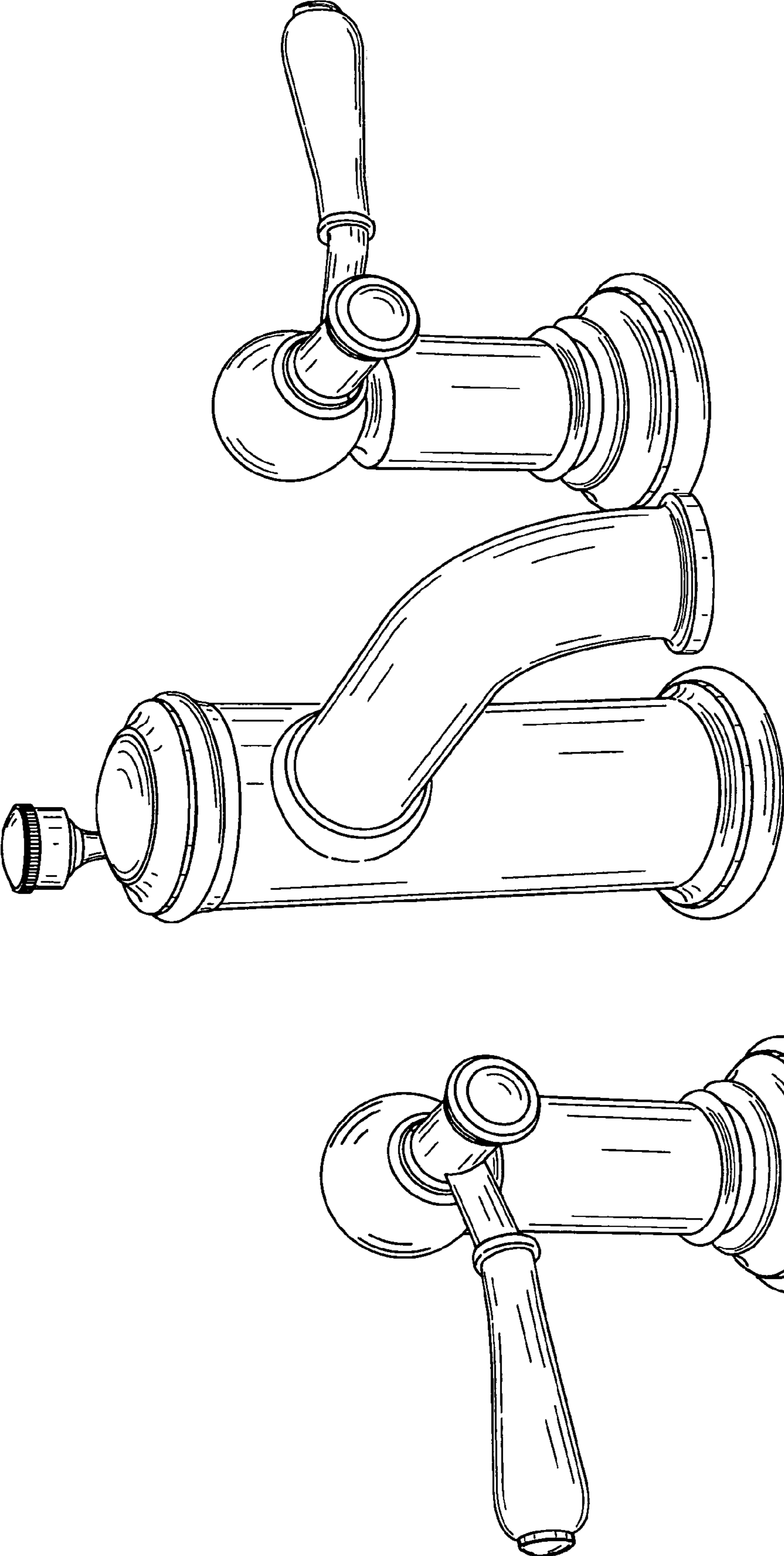


FIG. 7

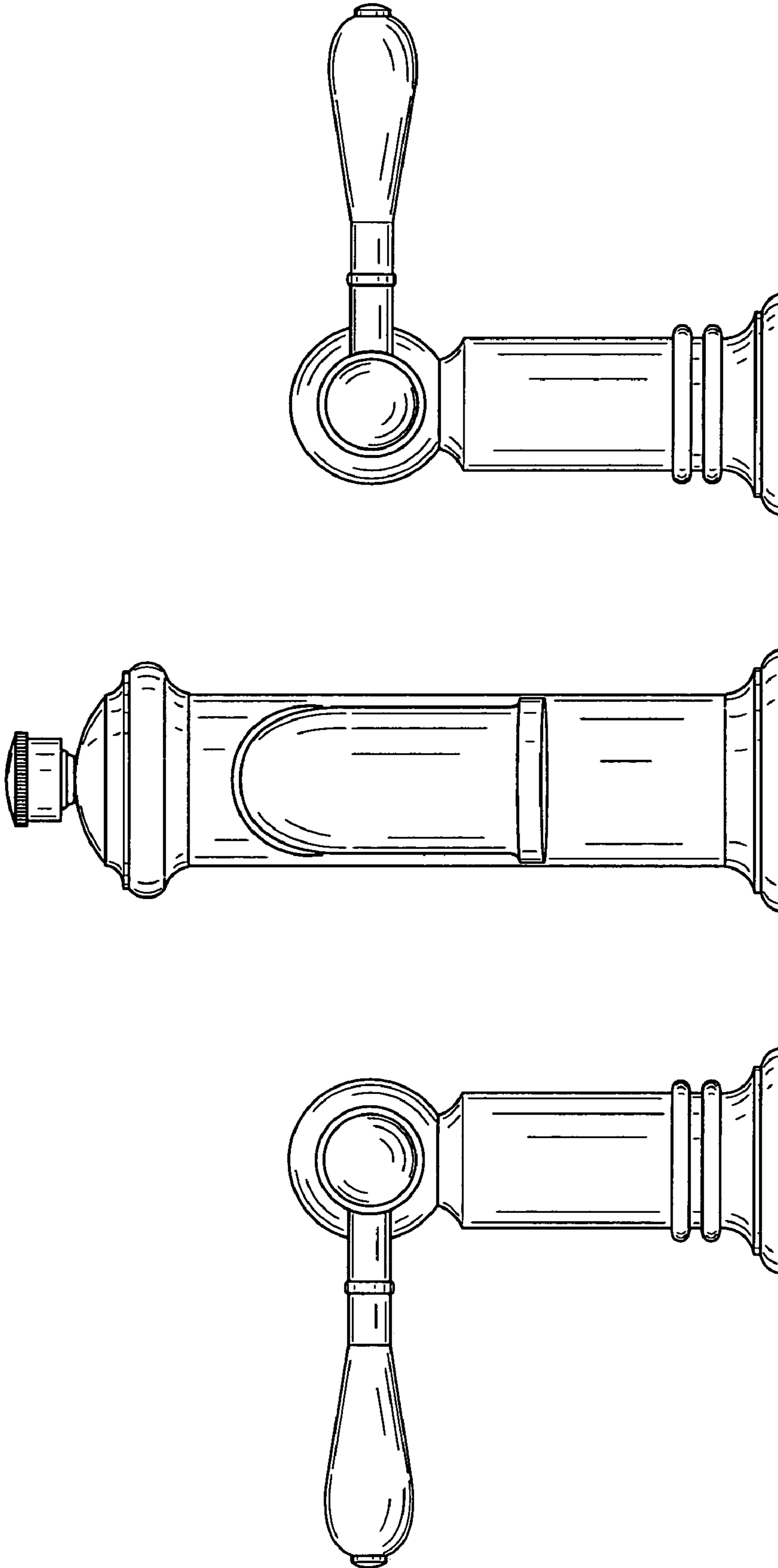


FIG. 2

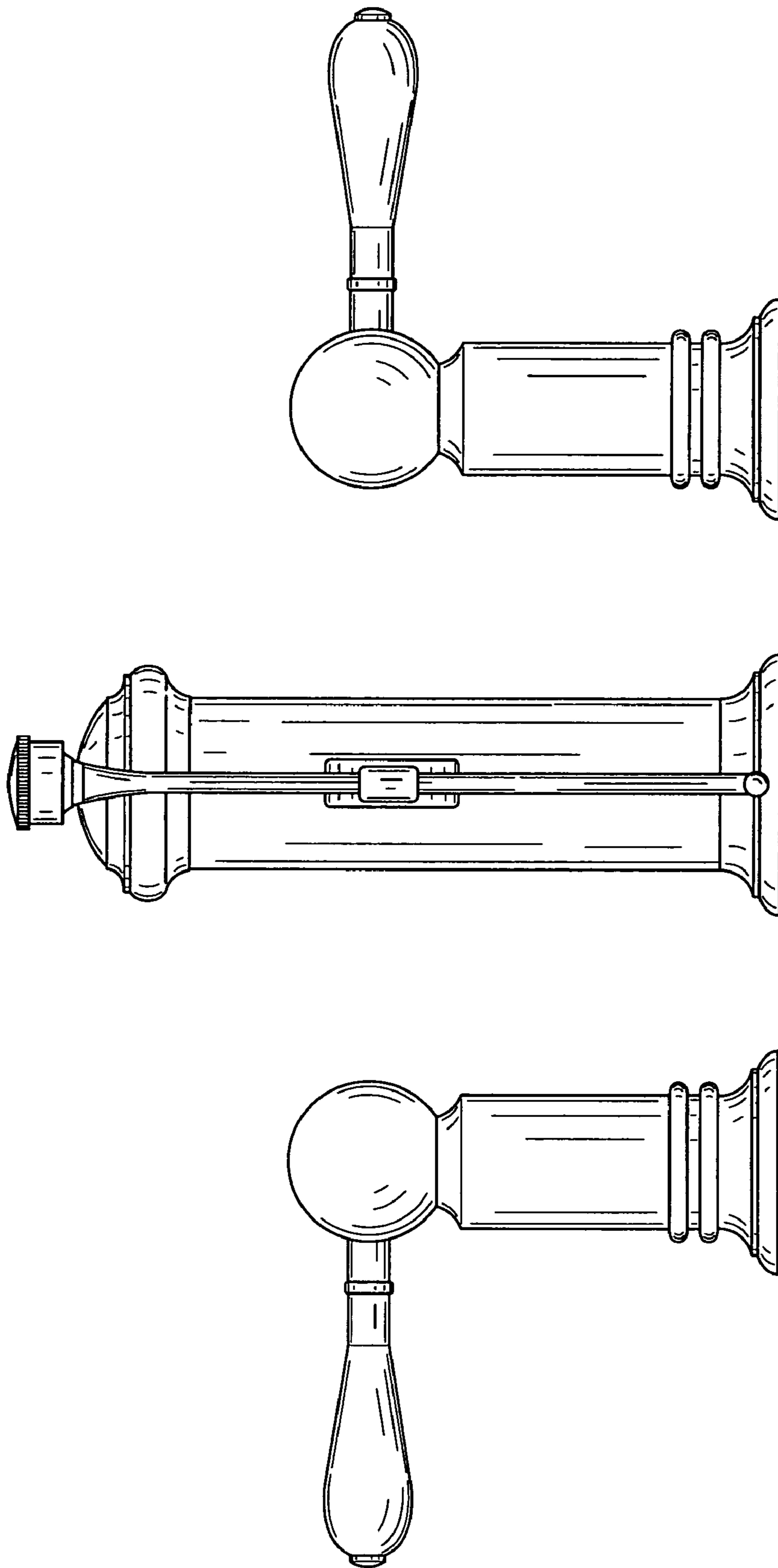


FIG. 3

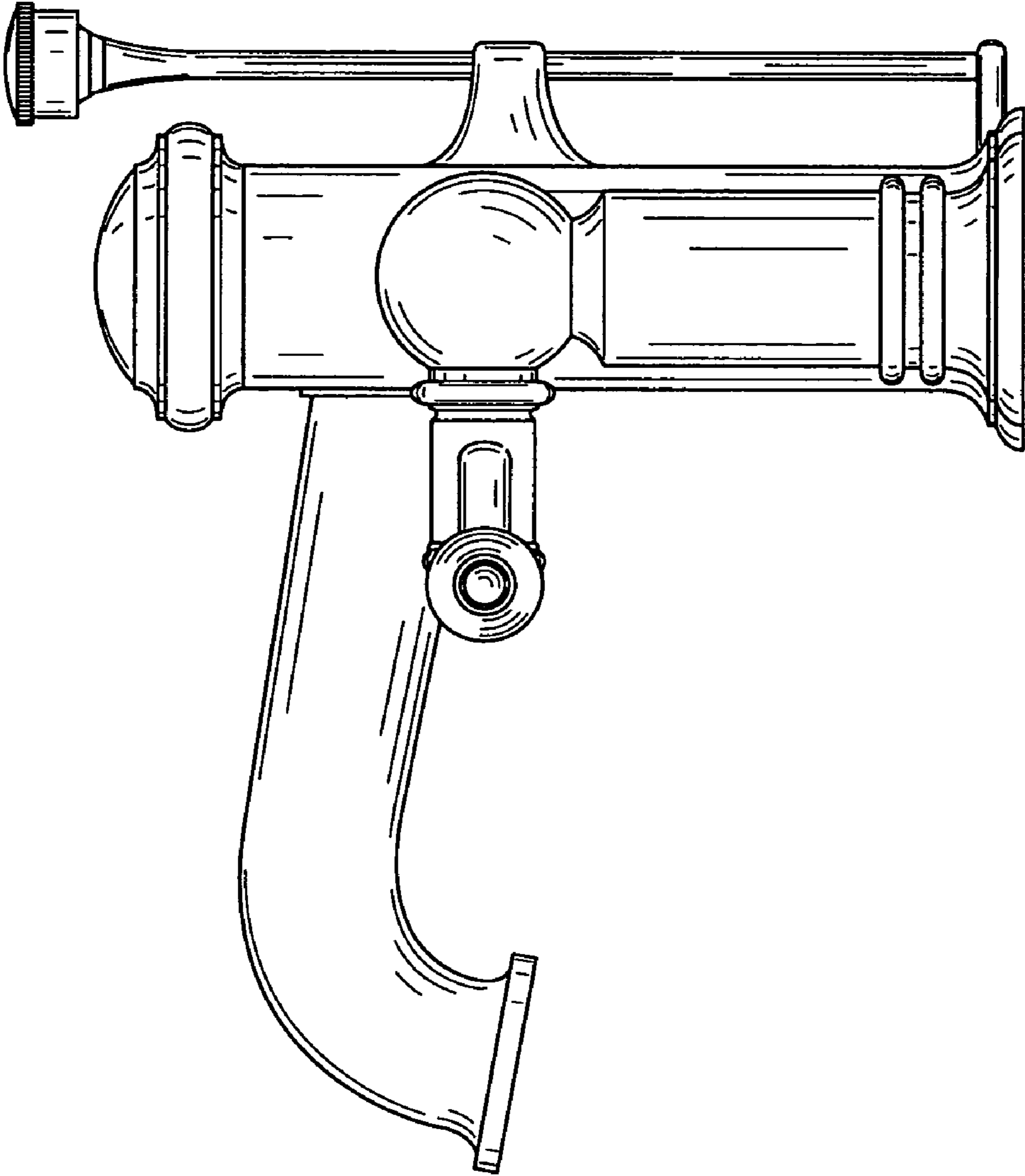


FIG. 4

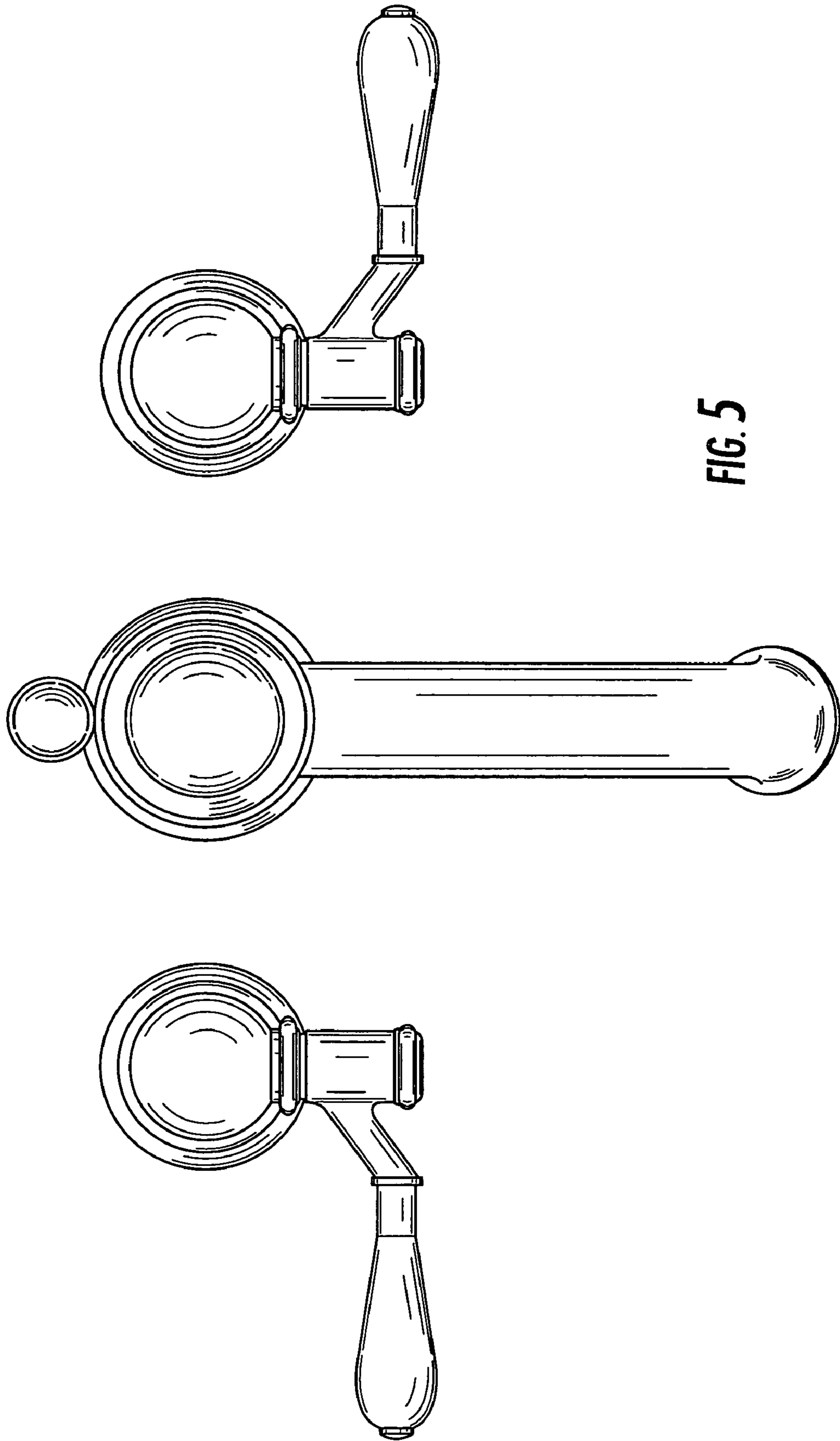


FIG. 5