



US00D561875S

(12) **United States Design Patent**  
**Haug et al.**

(10) **Patent No.:** **US D561,875 S**

(45) **Date of Patent:** **\*\* Feb. 12, 2008**

(54) **FAUCET ASSEMBLY**

D540,914 S \* 4/2007 Haug et al. .... D23/238

(75) Inventors: **Andreas Haug**, Stuttgart (DE); **Tom Schönherr**, Stuttgart (DE); **Andreas Dimitriadis**, Lorch (DE); **Peter Kolin**, Schwäbisch Gmünd (DE)

\* cited by examiner

*Primary Examiner*—Robert A. Delehanty  
(74) *Attorney, Agent, or Firm*—Leon E. Redman; Lloyd D. Doigan

(73) Assignee: **Hansgrohe AG** (DE)

(57) **CLAIM**

(\*\*) Term: **14 Years**

The ornamental design for a faucet assembly, as shown and described.

(21) Appl. No.: **29/247,326**

(22) Filed: **Jun. 12, 2006**

**DESCRIPTION**

(30) **Foreign Application Priority Data**

Dec. 15, 2005 (EM) ..... 000449178-0004

FIG. 1 is a front perspective view of a faucet assembly showing our design;

(51) **LOC (8) Cl.** ..... **23-01**

(52) **U.S. Cl.** ..... **D23/241**

(58) **Field of Classification Search** ..... D23/238–243, D23/250–257; 4/675–678; 137/801  
See application file for complete search history.

FIG. 2 is a front elevational view thereof;

FIG. 3 is a right side elevational view thereof; the left side elevational view being a mirror image thereof;

FIG. 4 is a rear elevational view thereof;

FIG. 5 is a top plan view thereof; and,

FIG. 6 is a bottom plan view thereof.

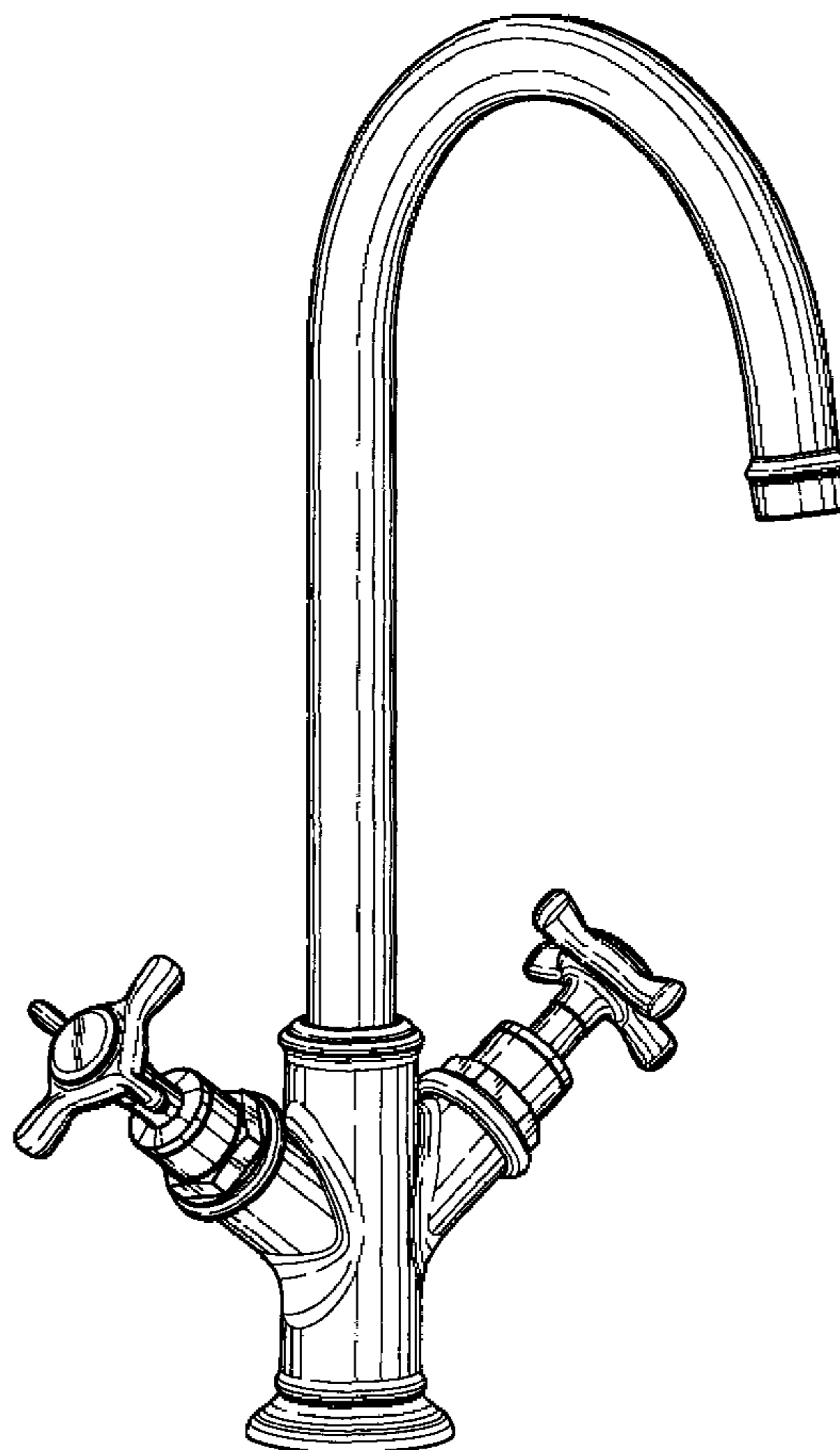
The broken lines are for illustrative purposes only and form no part of the claimed design.

(56) **References Cited**

**U.S. PATENT DOCUMENTS**

D351,218 S \* 10/1994 Sieger ..... D23/241

**1 Claim, 6 Drawing Sheets**



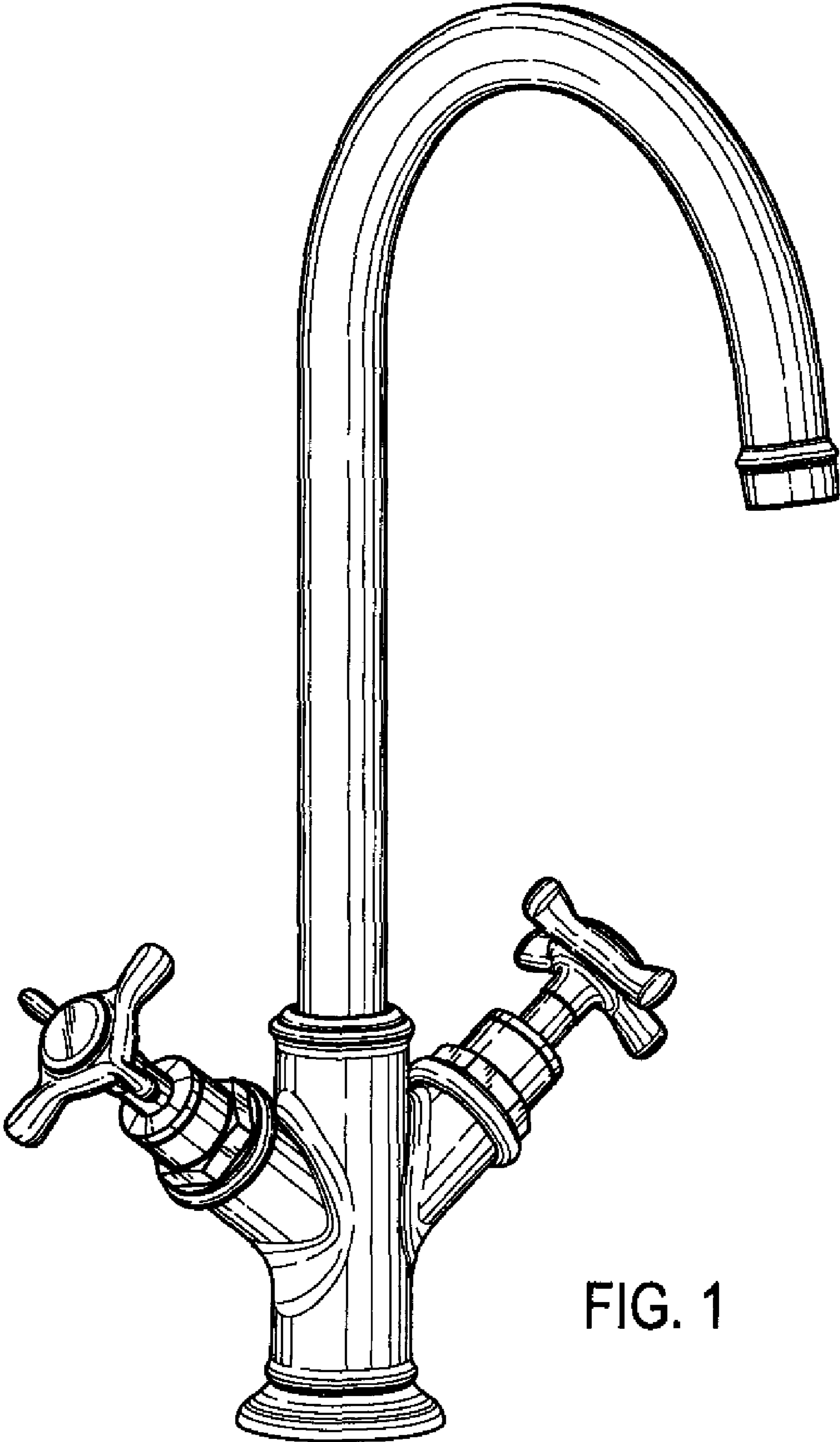
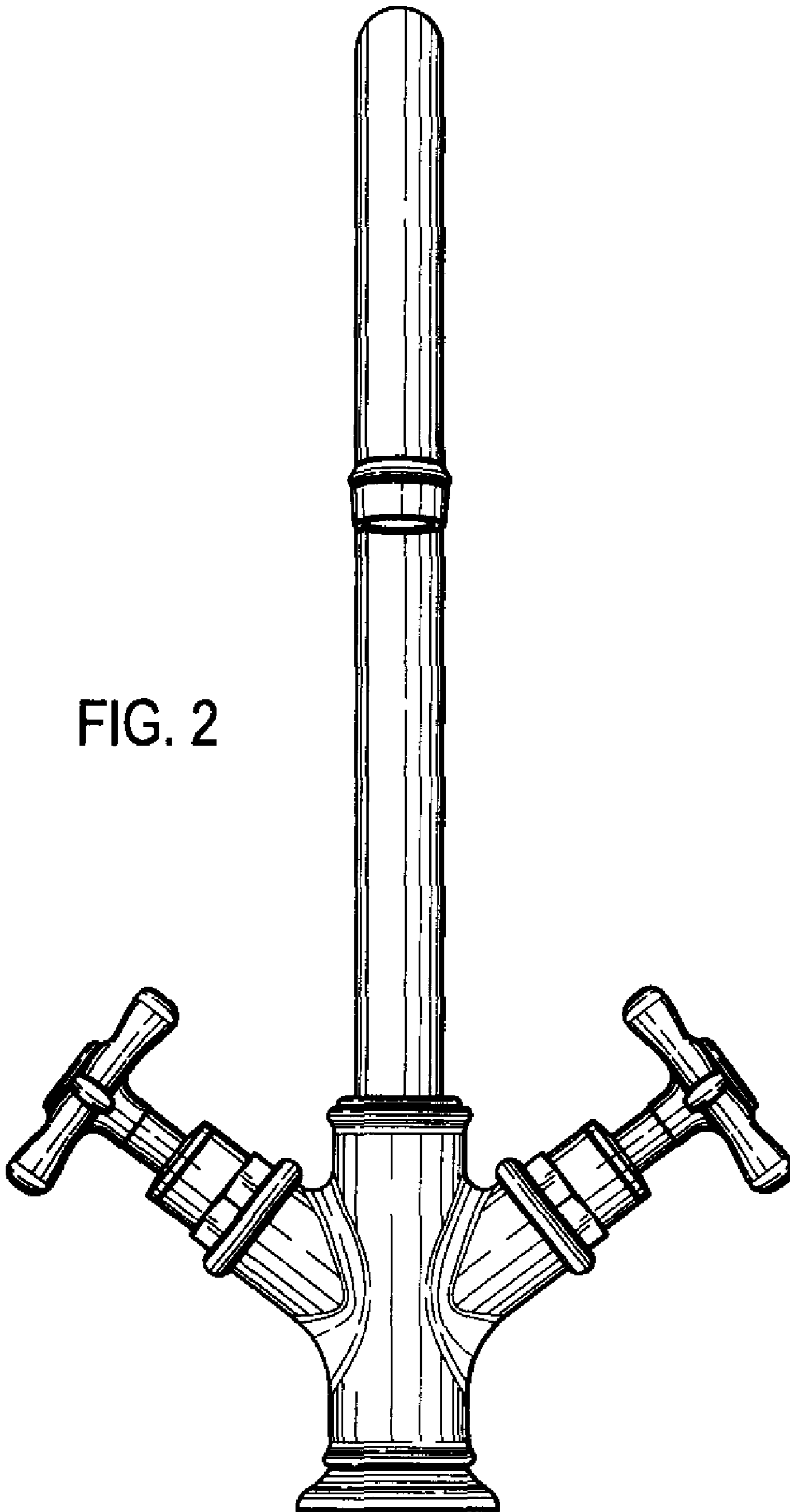


FIG. 1

FIG. 2



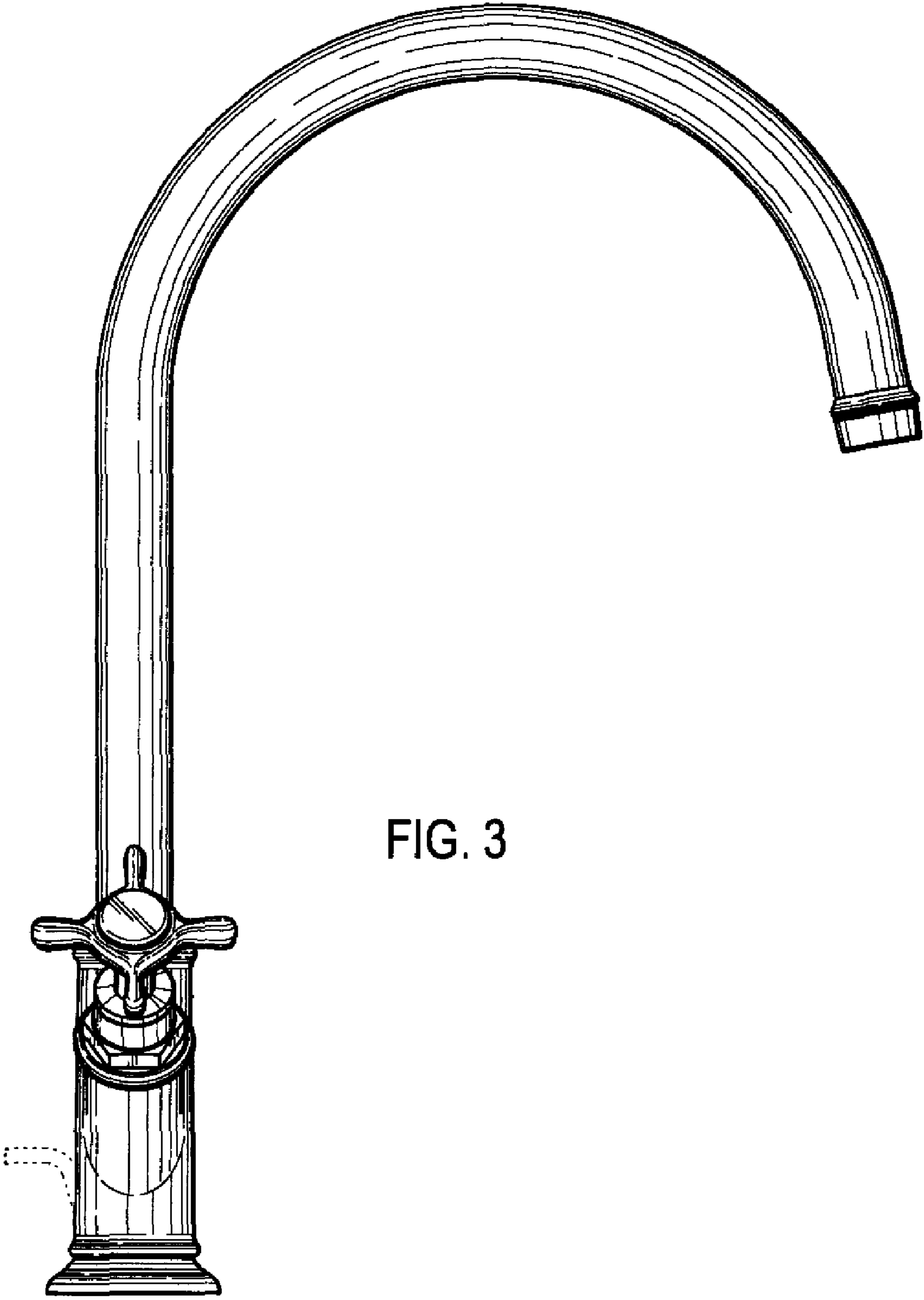
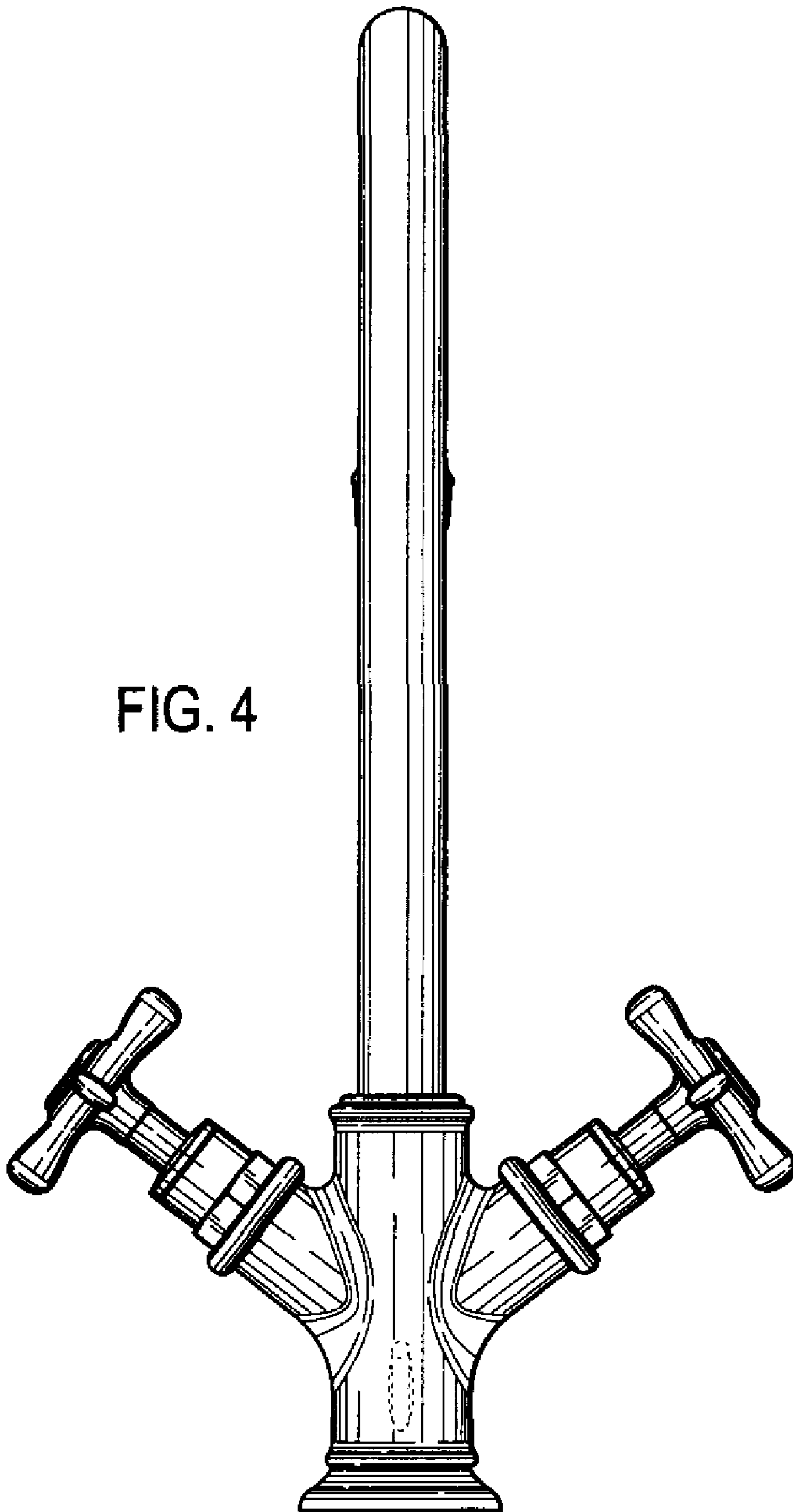


FIG. 3

FIG. 4



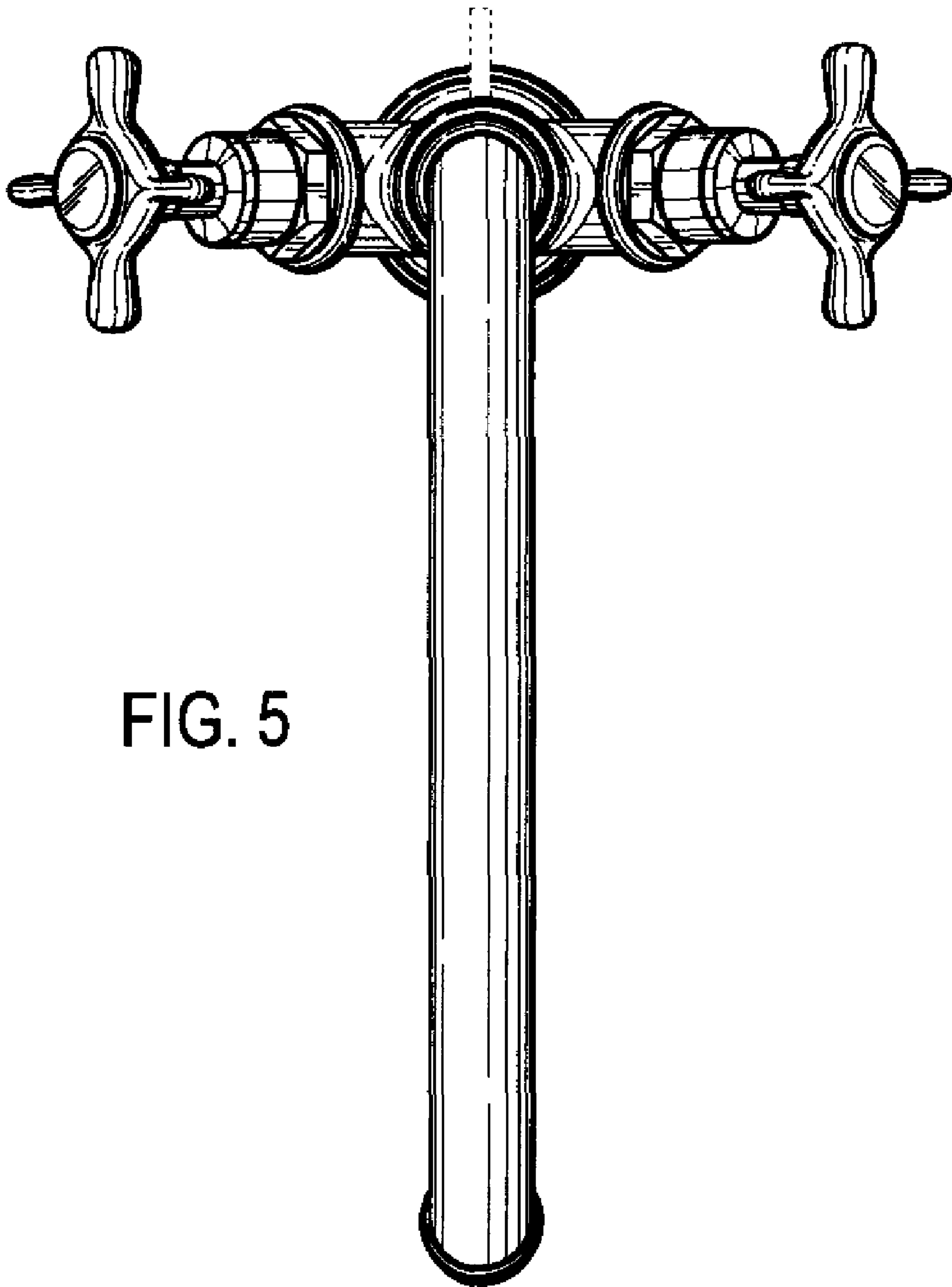


FIG. 5

FIG. 6

