

US00D561873S

(12) **United States Design Patent**  
**Desjoyaux et al.**

(10) **Patent No.:** **US D561,873 S**

(45) **Date of Patent:** **\*\* Feb. 12, 2008**

(54) **COMPACT FILTRATION BLOC FOR SWIMMING POOLS**

D477,383 S \* 7/2003 Desjoyaux et al. .... D23/209  
6,951,608 B2 \* 10/2005 Desjoyaux et al. .... 210/167.19

(75) Inventors: **Pierre-Louis Desjoyaux**, La Fouillouse (FR); **Jean-Louis Desjoyaux**, Chalais le Comtal (FR); **Catherine Jandros**, L'Etrat (FR)

\* cited by examiner

*Primary Examiner*—Robin V Webster

(73) Assignee: **Piscines Desjoyaux SA** (FR)

(74) *Attorney, Agent, or Firm*—Cantor Colburn LLP

(\*\*) Term: **14 Years**

(21) Appl. No.: **29/265,518**

(22) Filed: **Sep. 1, 2006**

(57) **CLAIM**

We claim, the ornamental design for a compact filtration bloc for swimming pools, as shown and described.

(30) **Foreign Application Priority Data**

Mar. 2, 2006 (EP) ..... 000489521-0001

**DESCRIPTION**

(51) **LOC (8) Cl.** ..... **23-01**

(52) **U.S. Cl.** ..... **D23/209**

(58) **Field of Classification Search** ..... D23/207,  
D23/209, 210; 210/416.2, 167.1, 167.15,  
210/167.19

See application file for complete search history.

FIG. 1 is a front and right side perspective view thereof a compact filtration bloc for swimming pools, showing our new design;

FIG. 2 is a top plan view thereof;

FIG. 3 is a front elevation view thereof;

FIG. 4 is a right side elevation view thereof; and,

FIG. 5 is a left side elevation view thereof.

(56) **References Cited**

**U.S. PATENT DOCUMENTS**

6,138,294 A \* 10/2000 Desjoyaux et al. .... 4/509

**1 Claim, 5 Drawing Sheets**

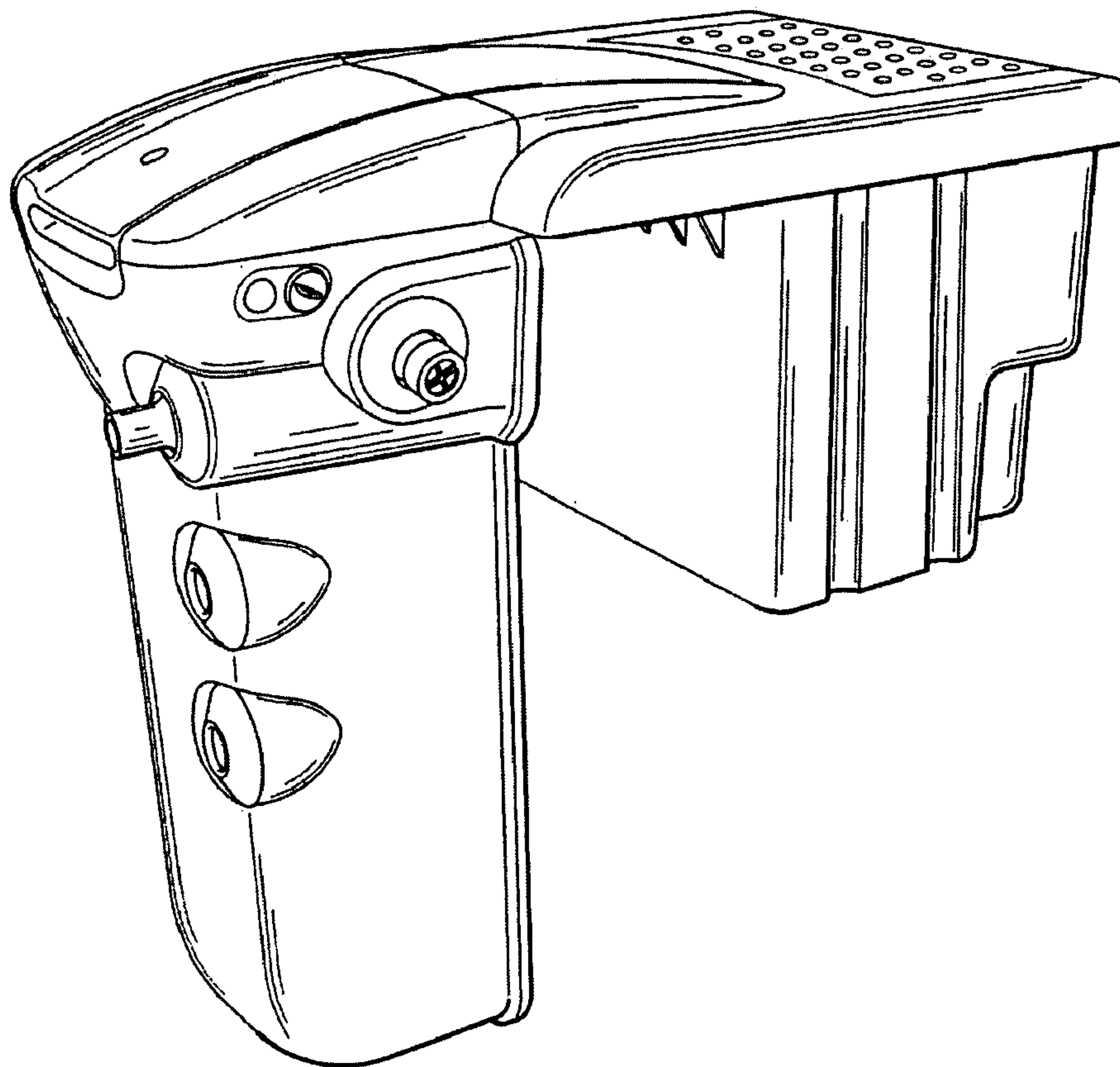


FIG. 1

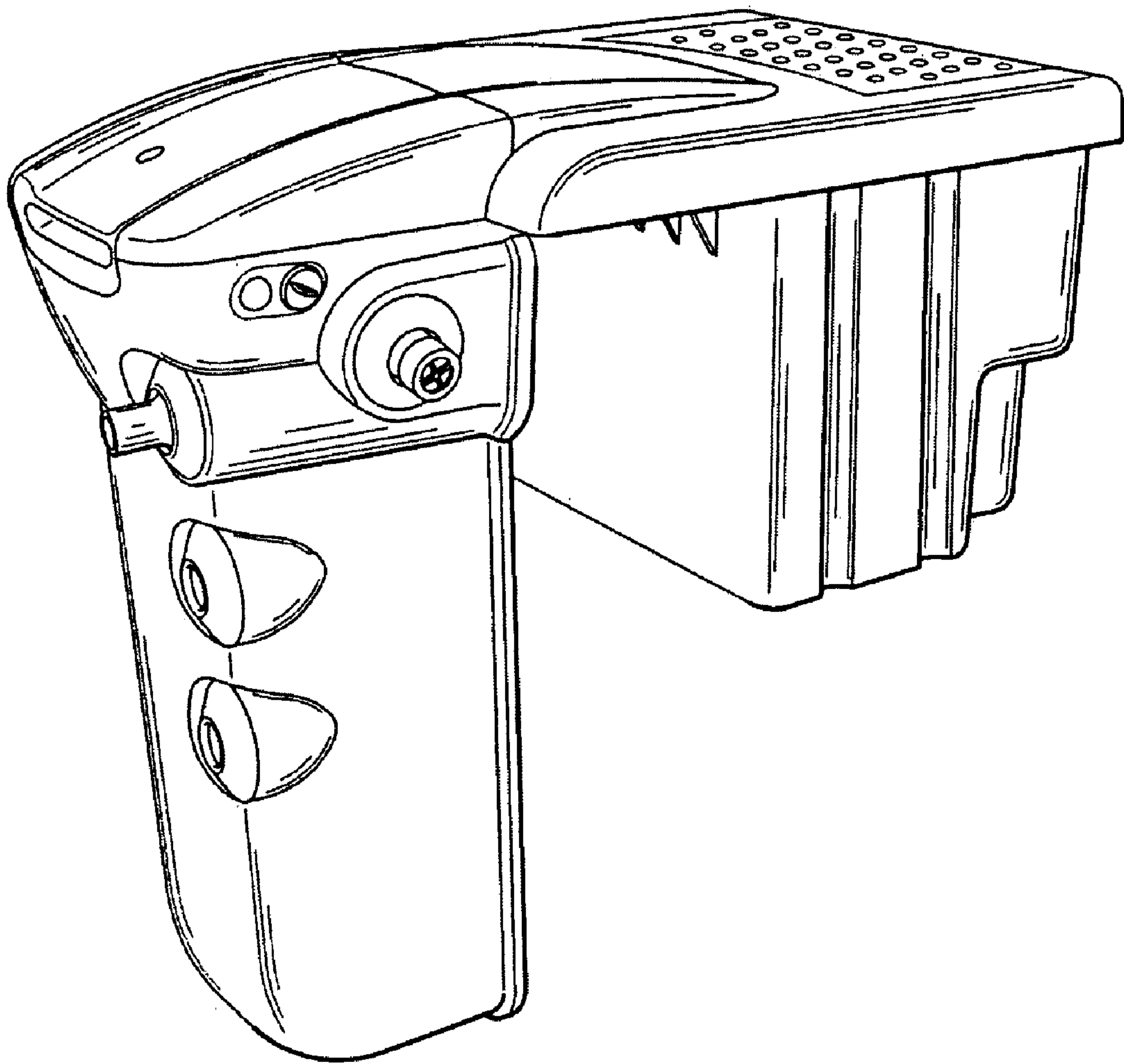


FIG. 2

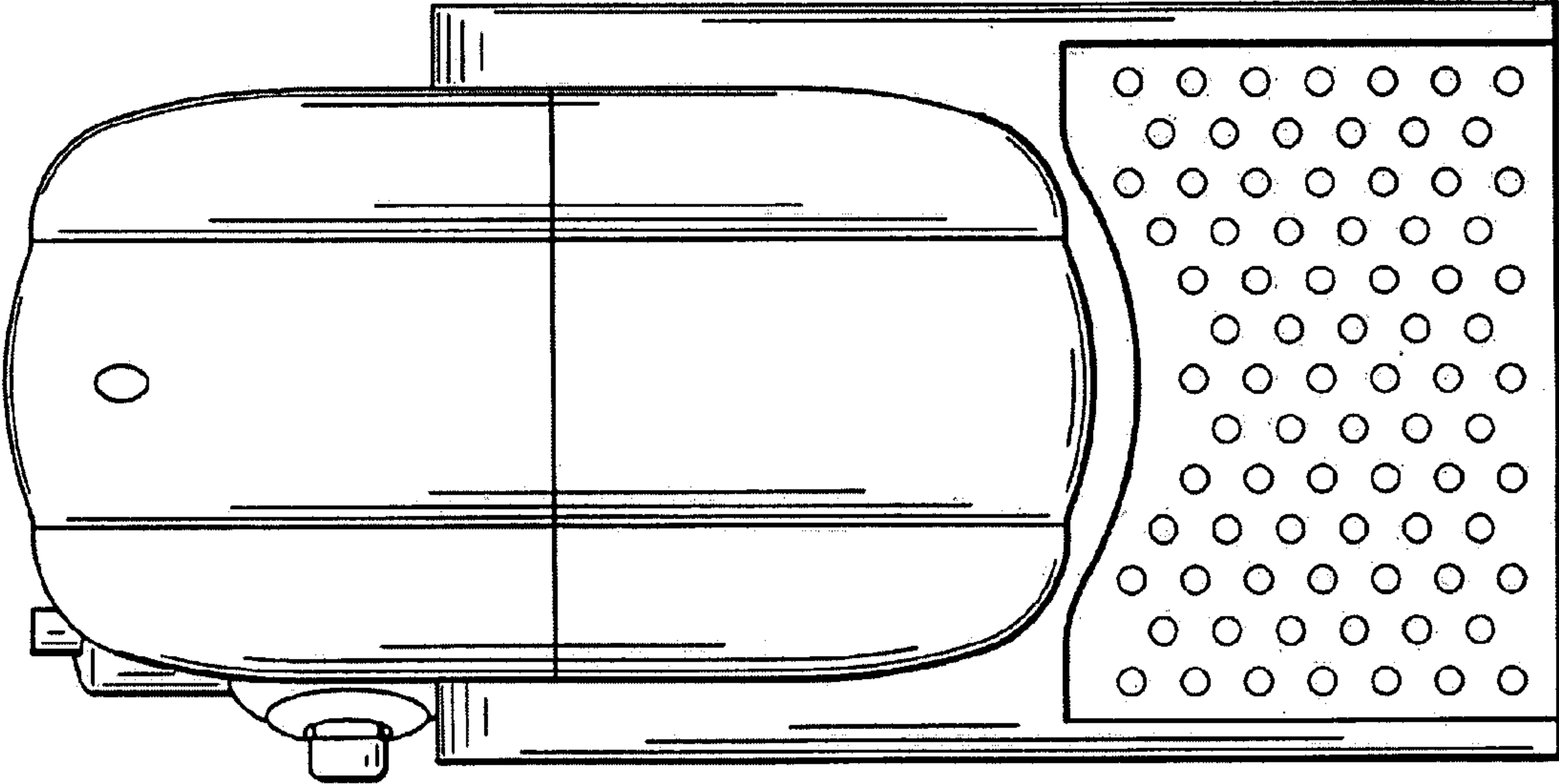


FIG. 3

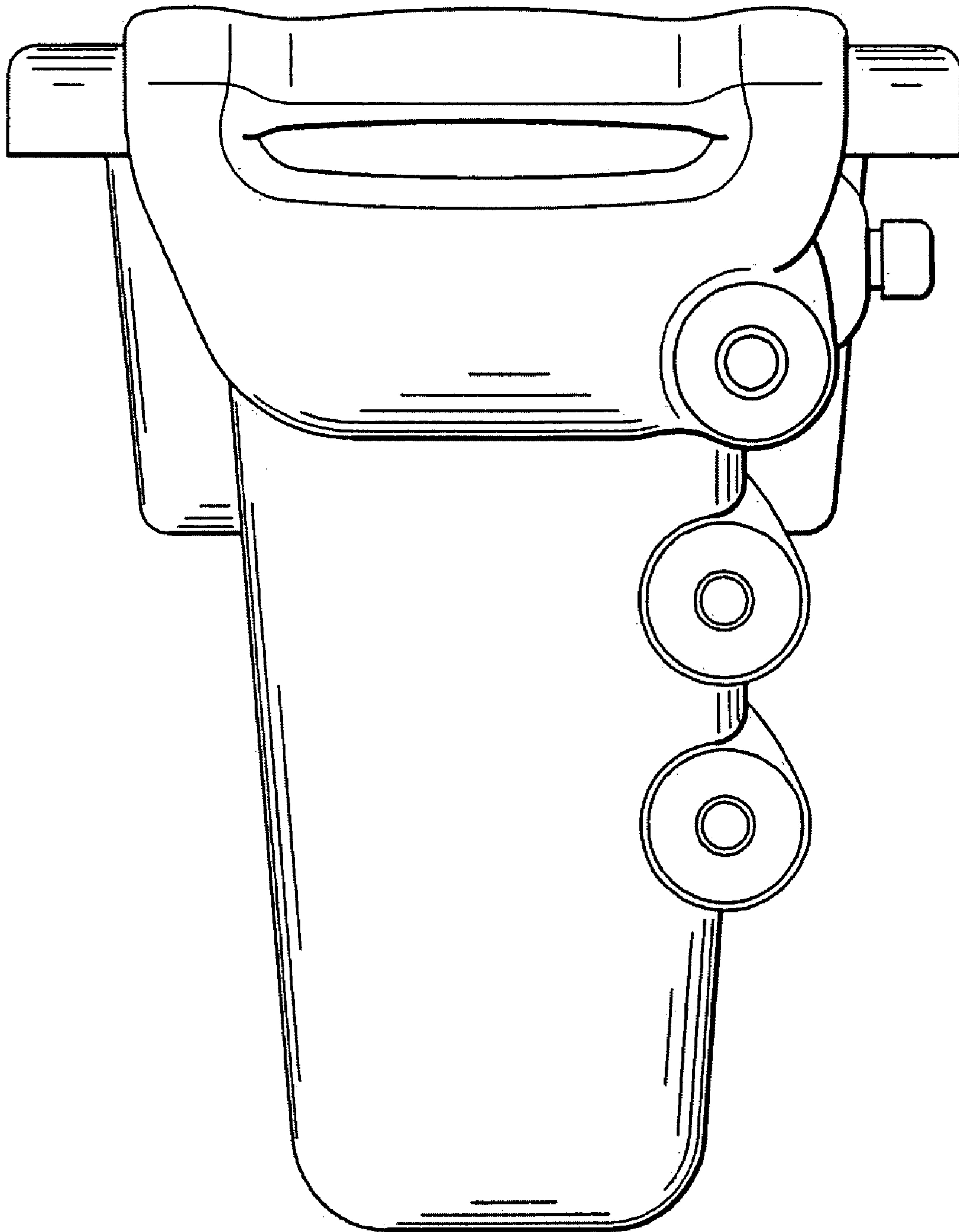


FIG. 4

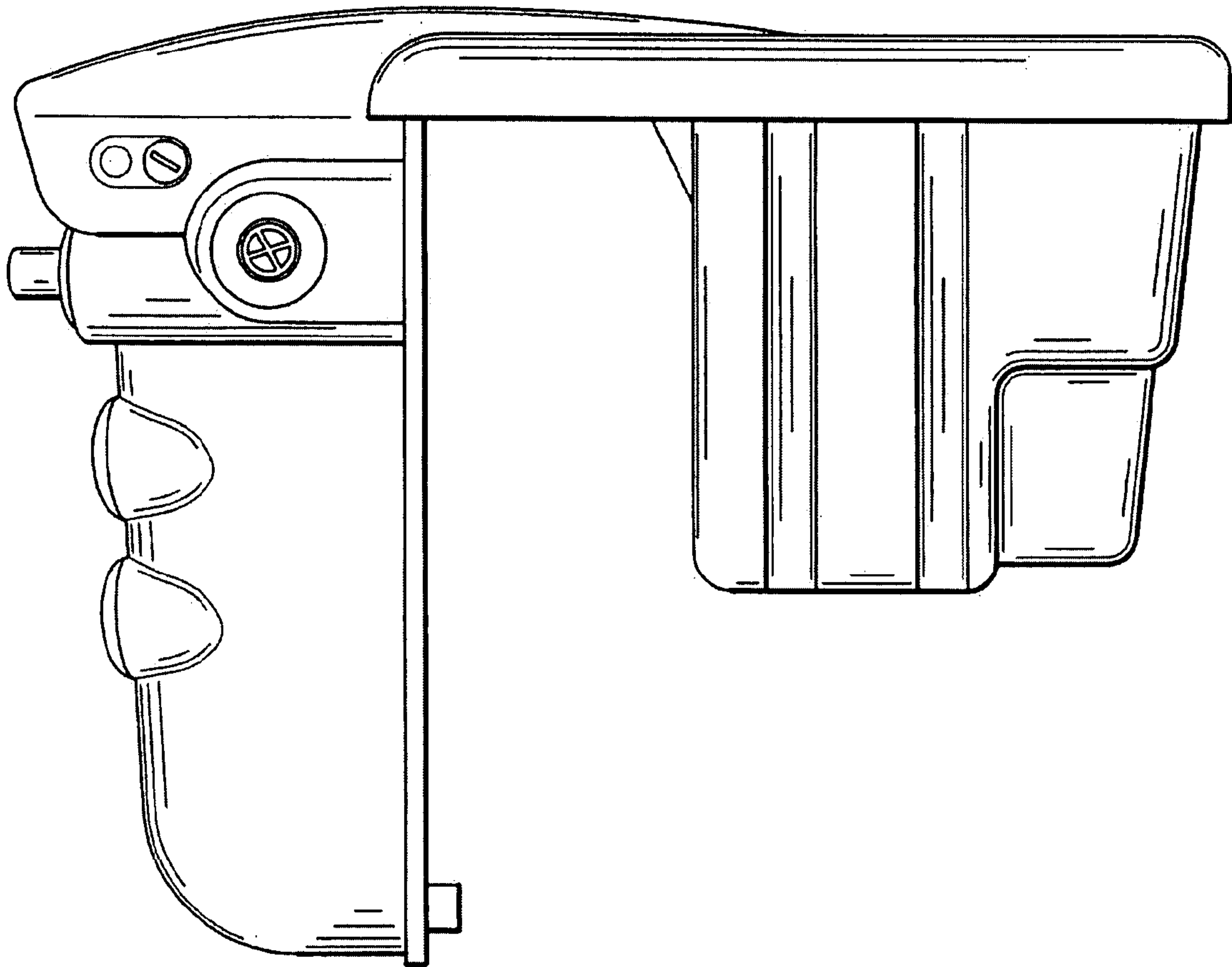


FIG. 5

