



US00D561870S

(12) **United States Design Patent**
Myojo et al.

(10) **Patent No.:** **US D561,870 S**
(45) **Date of Patent:** **** Feb. 12, 2008**

(54) **FISHING REEL**

DESCRIPTION

(75) Inventors: **Seiji Myojo**, Sakai (JP); **Akira Nago**, Sakai (JP)

(73) Assignee: **Shimano Inc.**, Osaka (JP)

(**) Term: **14 Years**

(21) Appl. No.: **29/274,429**

(22) Filed: **Apr. 24, 2007**

(30) **Foreign Application Priority Data**

Nov. 21, 2006 (JP) 2006-031904

(51) **LOC (8) Cl.** **22-05**

(52) **U.S. Cl.** **D22/141**

(58) **Field of Classification Search** D22/140-141,
D22/137; 242/223-224, 234-240, 370, 316,
242/311, 322, 283; 43/19-22

See application file for complete search history.

(56) **References Cited**

U.S. PATENT DOCUMENTS

D443,019 S * 5/2001 Kang et al. D22/141
D505,710 S * 5/2005 Kitazaki D22/141
D514,190 S * 1/2006 Kitazaki D22/141
D529,124 S * 9/2006 Nago D22/141

* cited by examiner

Primary Examiner—Catherine R. Oliver

(74) *Attorney, Agent, or Firm*—Global IP Counselors, LLP

(57) **CLAIM**

The ornamental design for a fishing reel, as shown and described.

FIG. 1 is a first side elevational view of a fishing reel in accordance with our new design;

FIG. 2 is a second side elevational view of the fishing reel in accordance with our new design;

FIG. 3 is a top plan view of the fishing reel in accordance with our new design;

FIG. 4 is bottom plan view of the fishing reel in accordance with our new design;

FIG. 5 is a rear side elevational view of the fishing reel in accordance with our new design;

FIG. 6 is a front side elevational view of the fishing reel in accordance with our new design;

FIG. 7 is a top front end perspective view of the fishing reel in accordance with our new design;

FIG. 8 is a bottom front end perspective view of the fishing reel in accordance with our new design;

FIG. 9 is a bottom rear end perspective view of the fishing reel in accordance with our new design;

FIG. 10 is a top rear end perspective view of the fishing reel in accordance with our new design;

FIG. 11 is a first side rear end perspective view of the fishing reel in accordance with our new design;

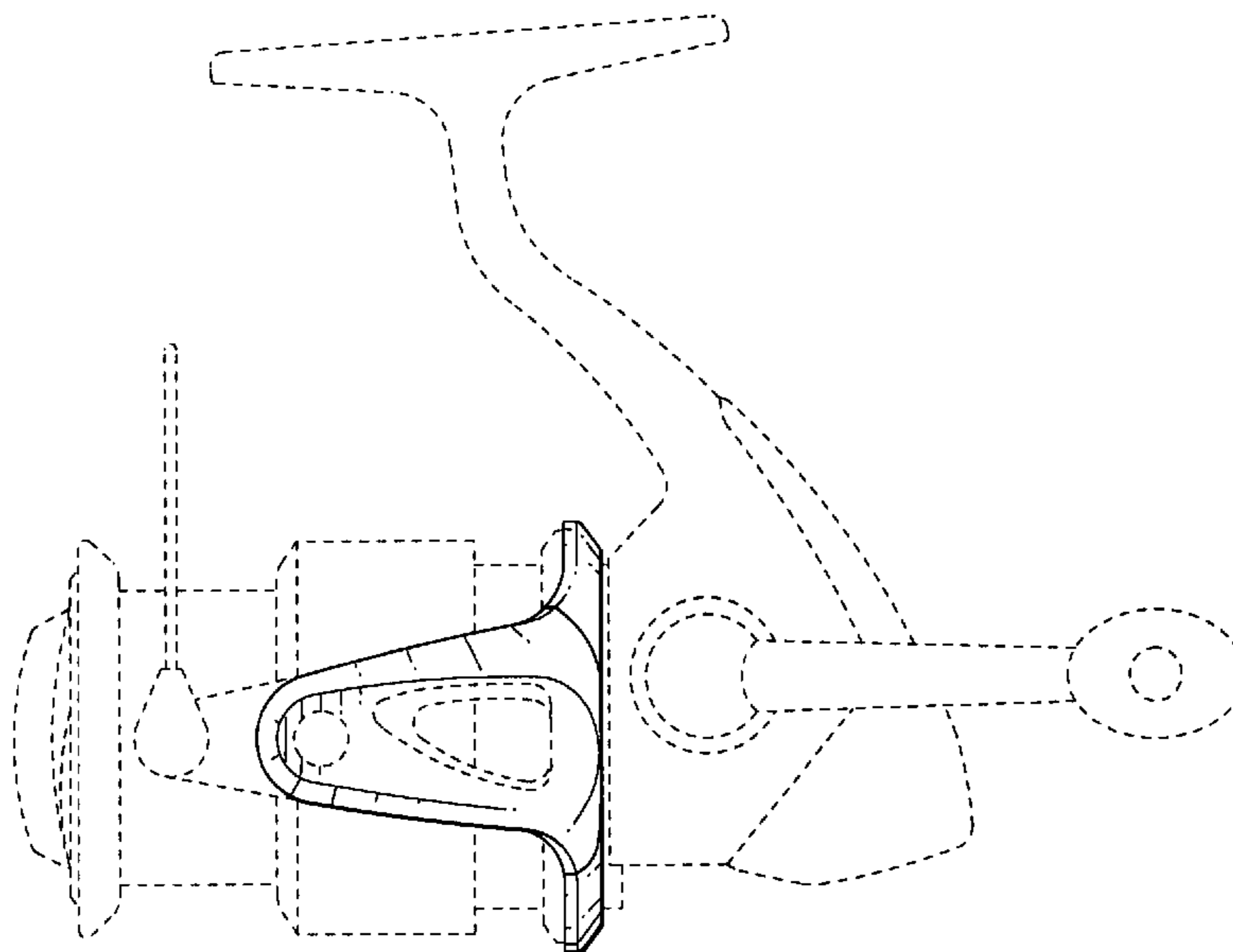
FIG. 12 is an enlarged bottom front end perspective view of the fishing reel in accordance with our new design;

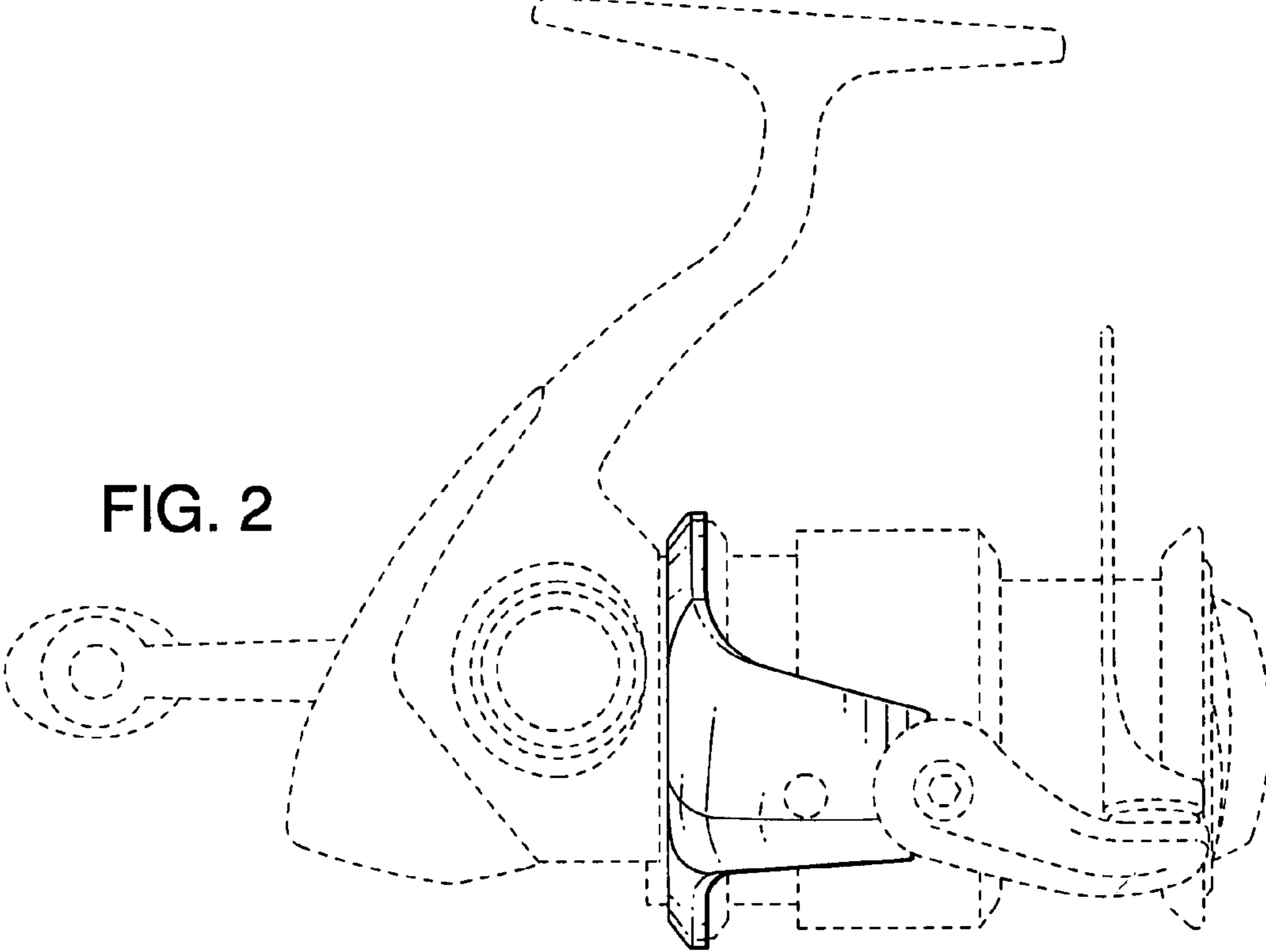
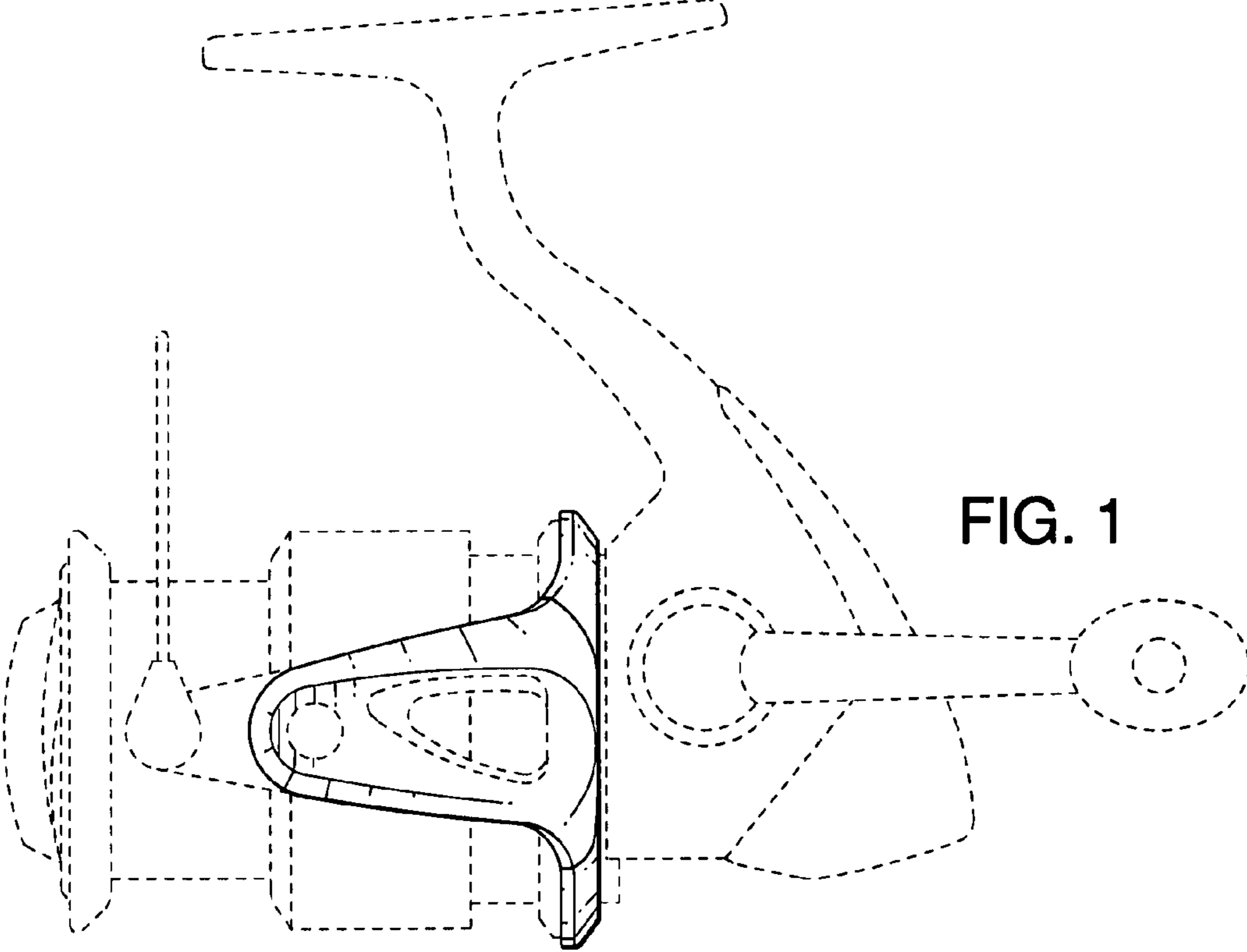
FIG. 13 is an enlarged top rear end perspective view of the fishing reel in accordance with our new design; and,

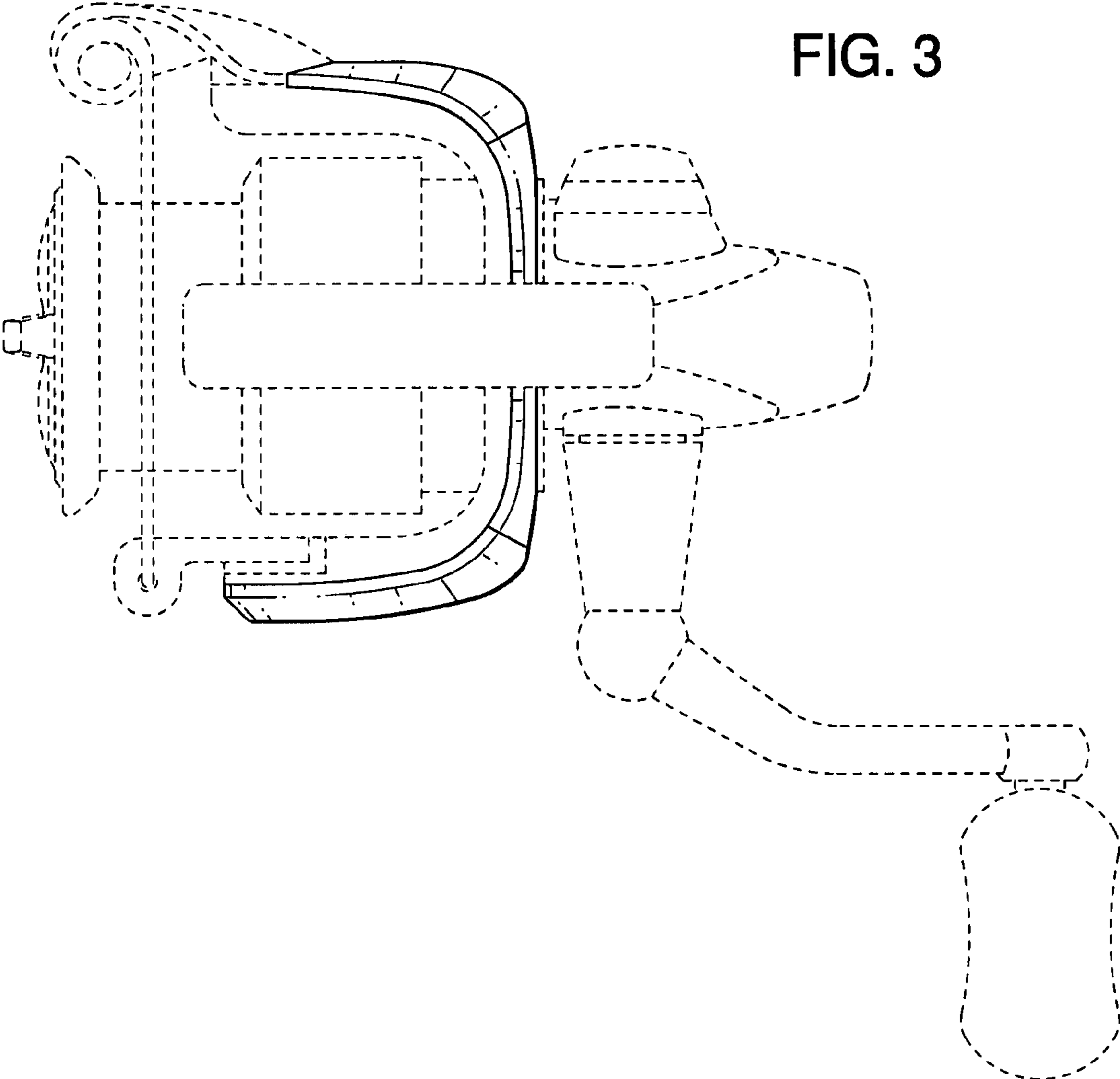
FIG. 14 is an enlarged bottom rear end perspective view of the fishing reel in accordance with our new design.

The broken line showing of the environment (the remaining structure of the fishing reel) in the Figures is for illustrative purposes only and forms no part of the claimed design.

1 Claim, 8 Drawing Sheets







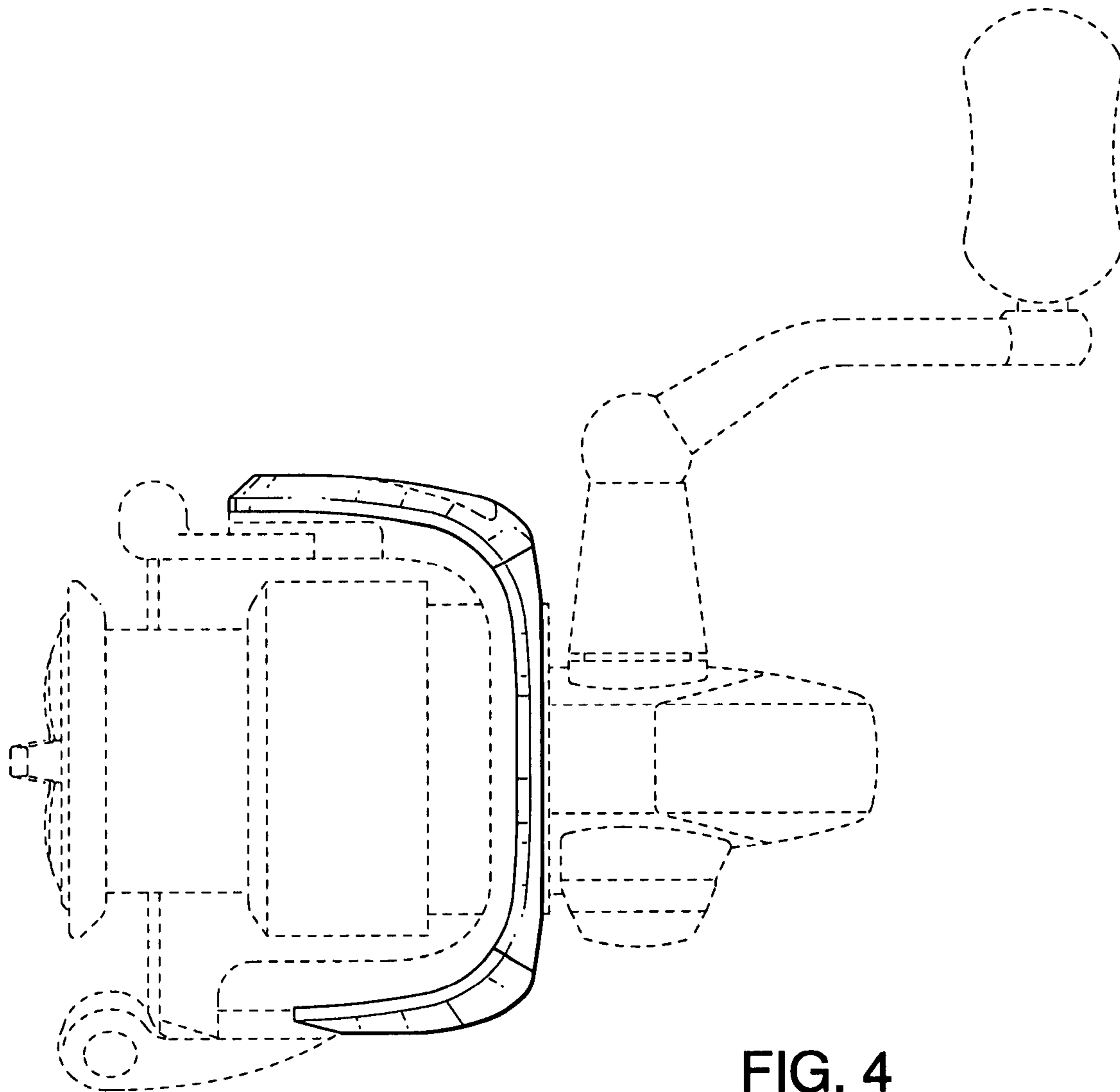


FIG. 4

FIG. 5

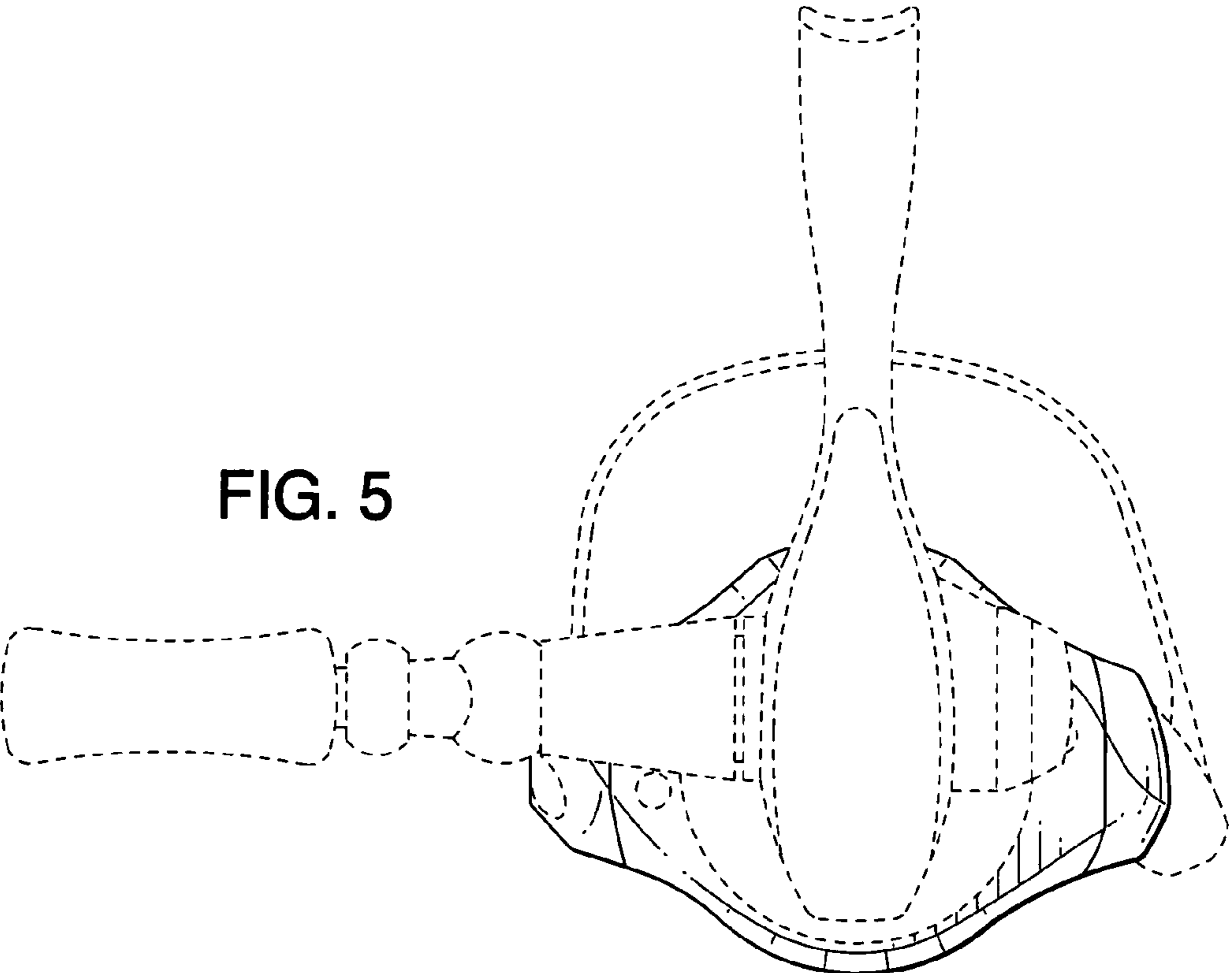
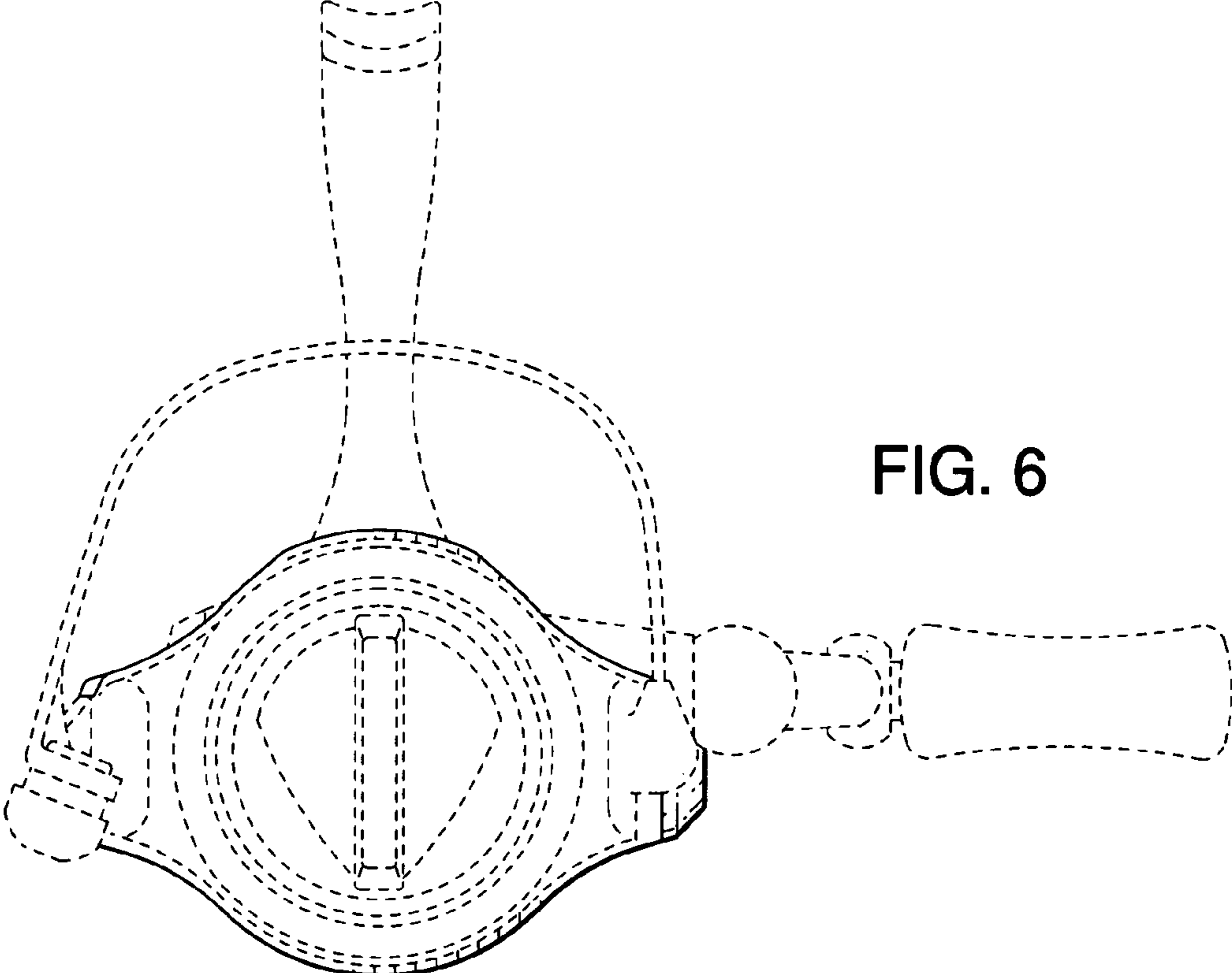


FIG. 6



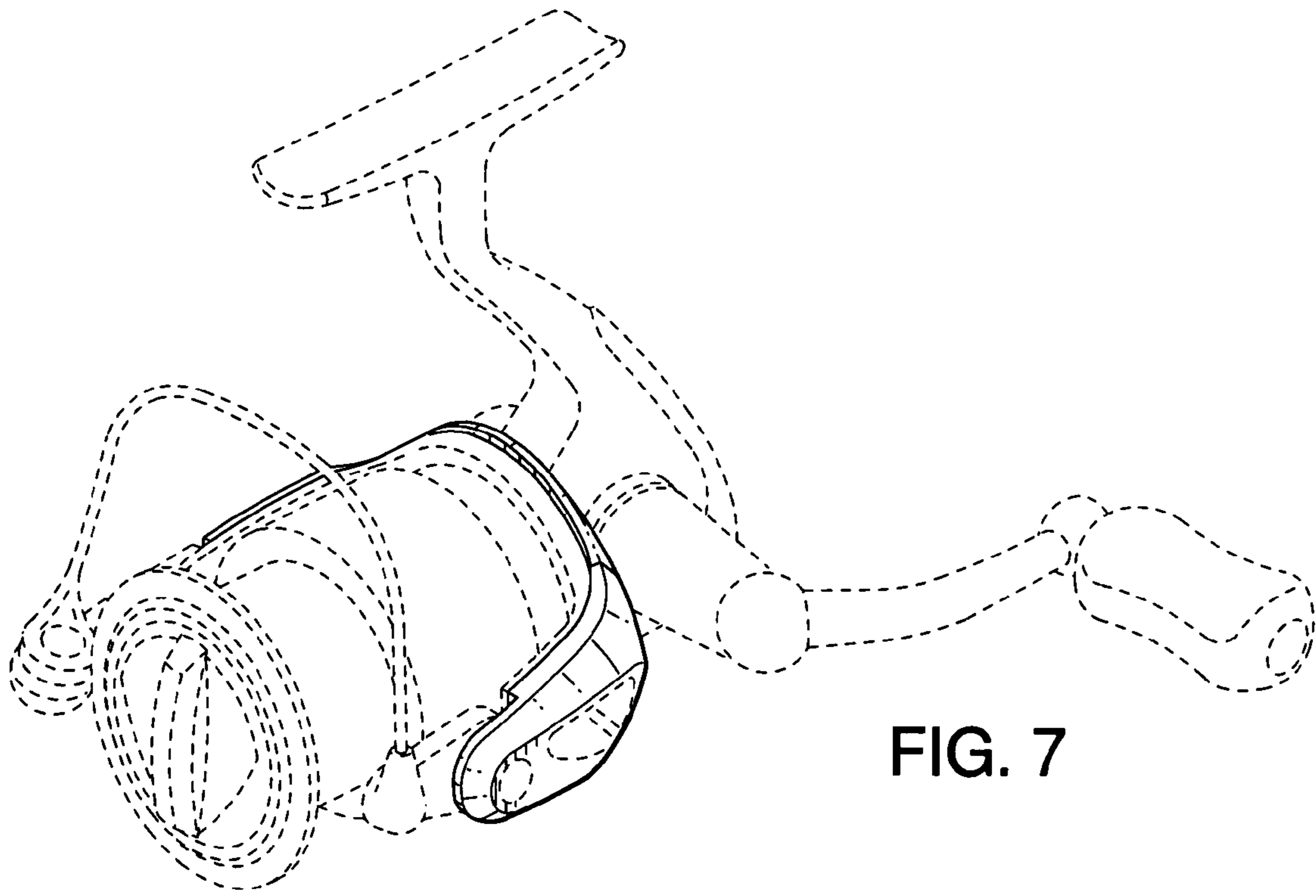


FIG. 7

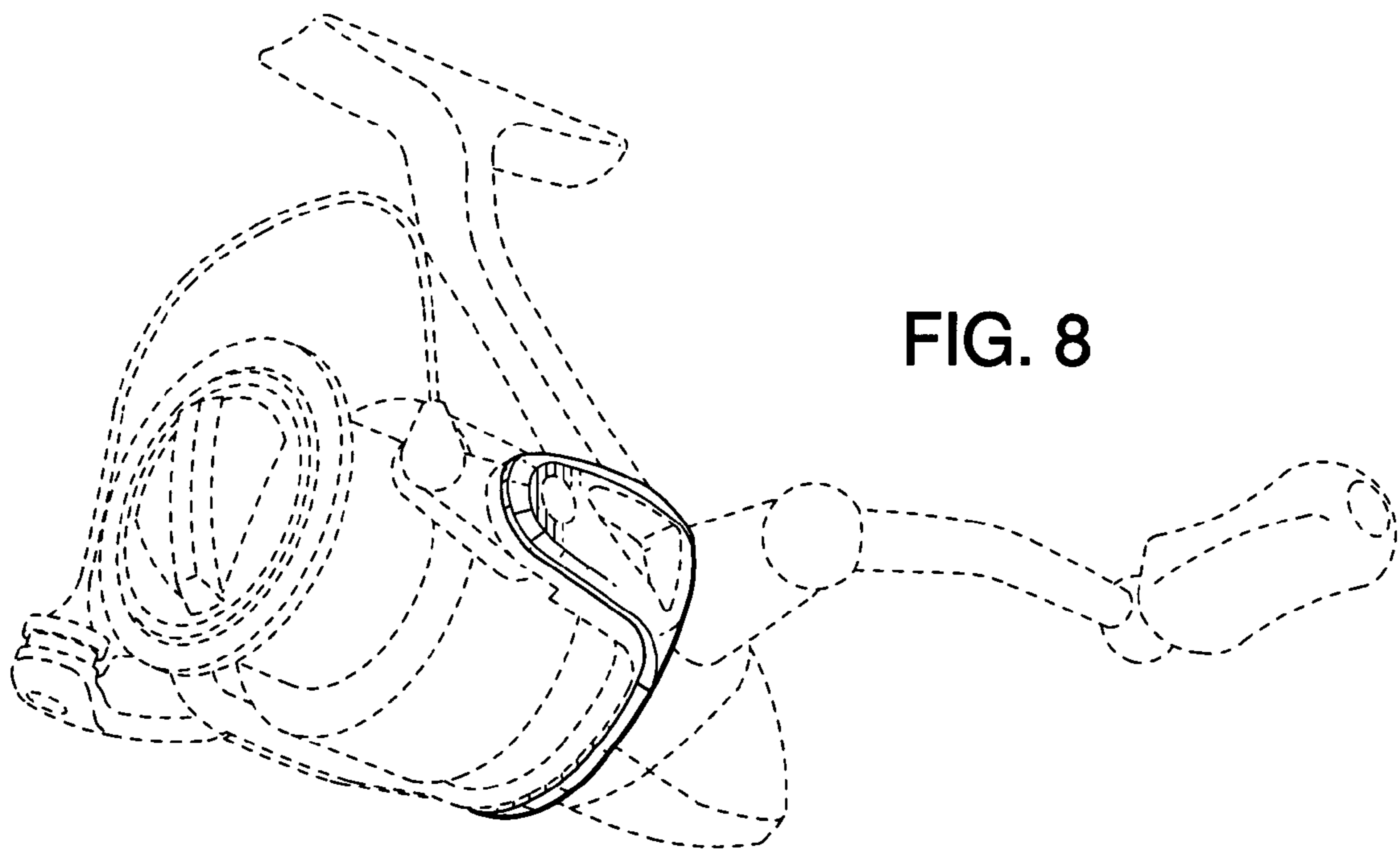


FIG. 8

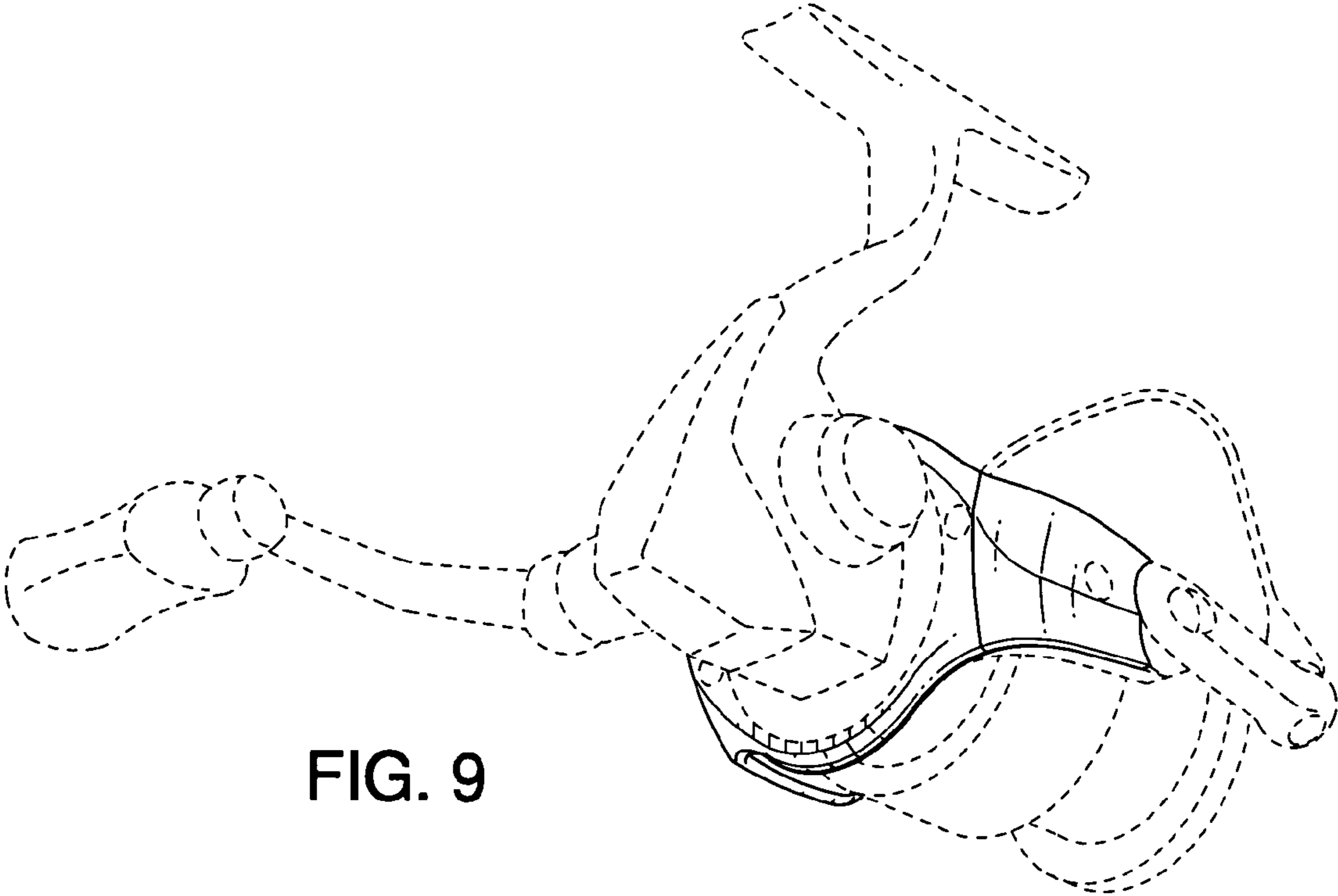


FIG. 9

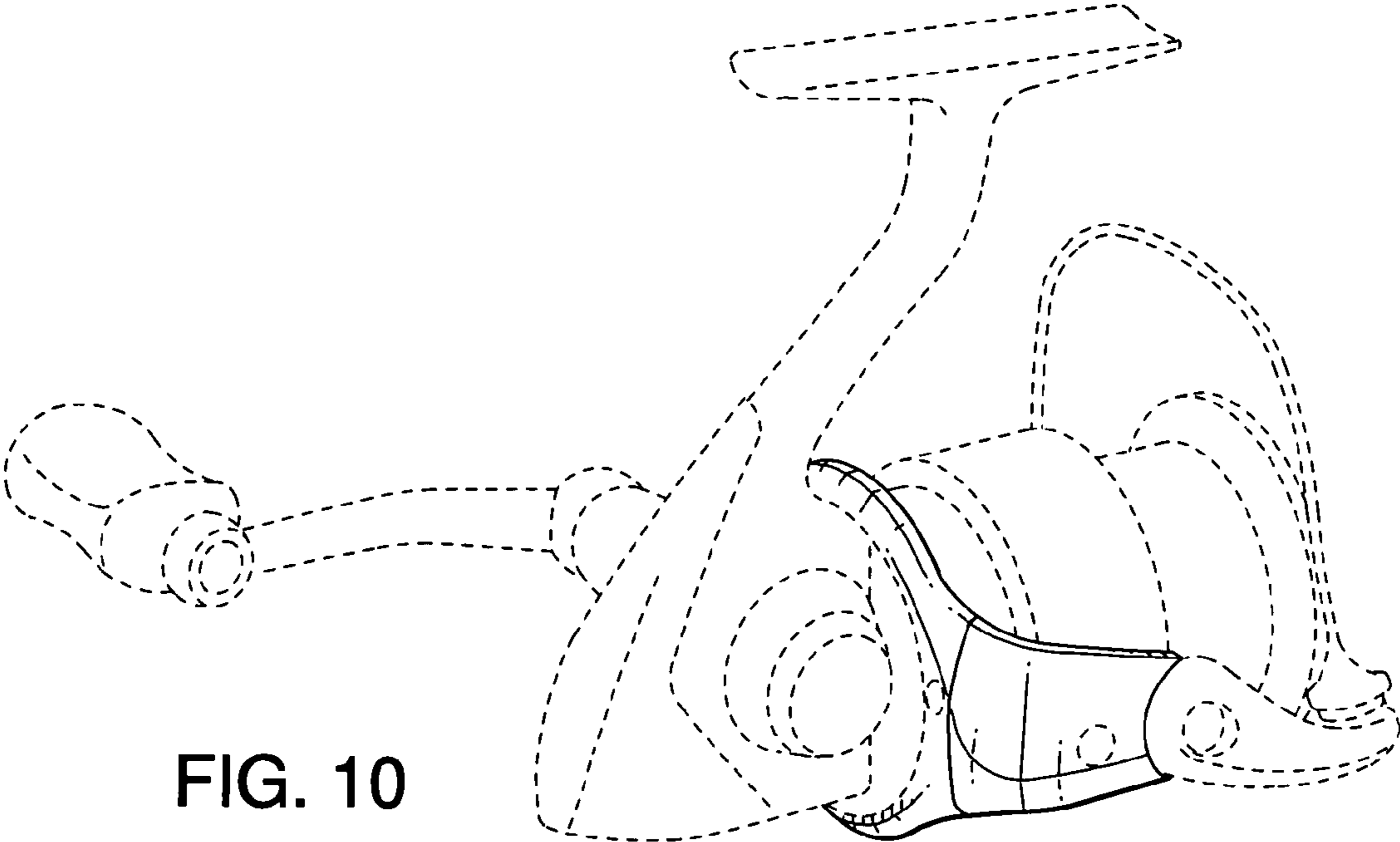


FIG. 10

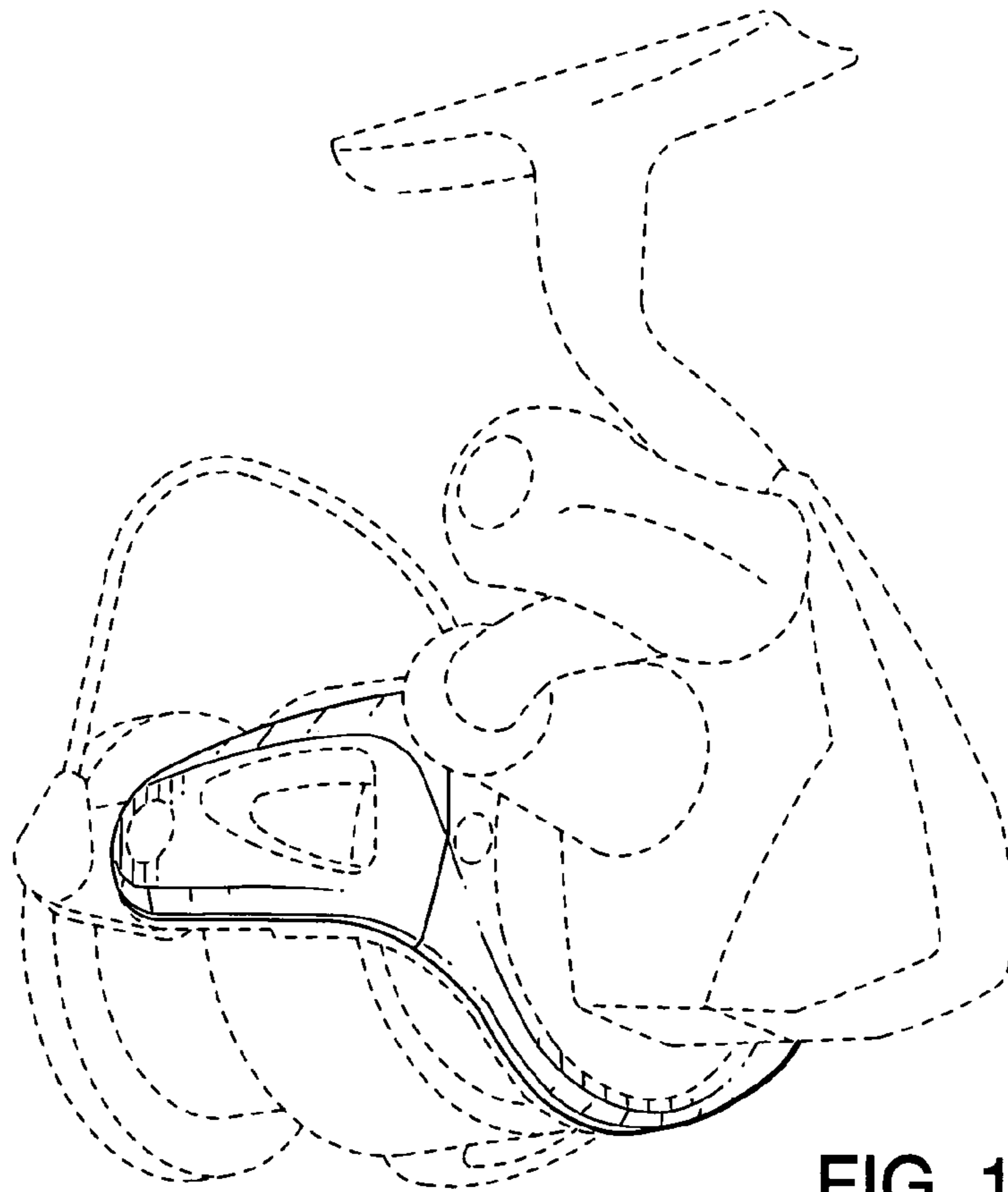


FIG. 11

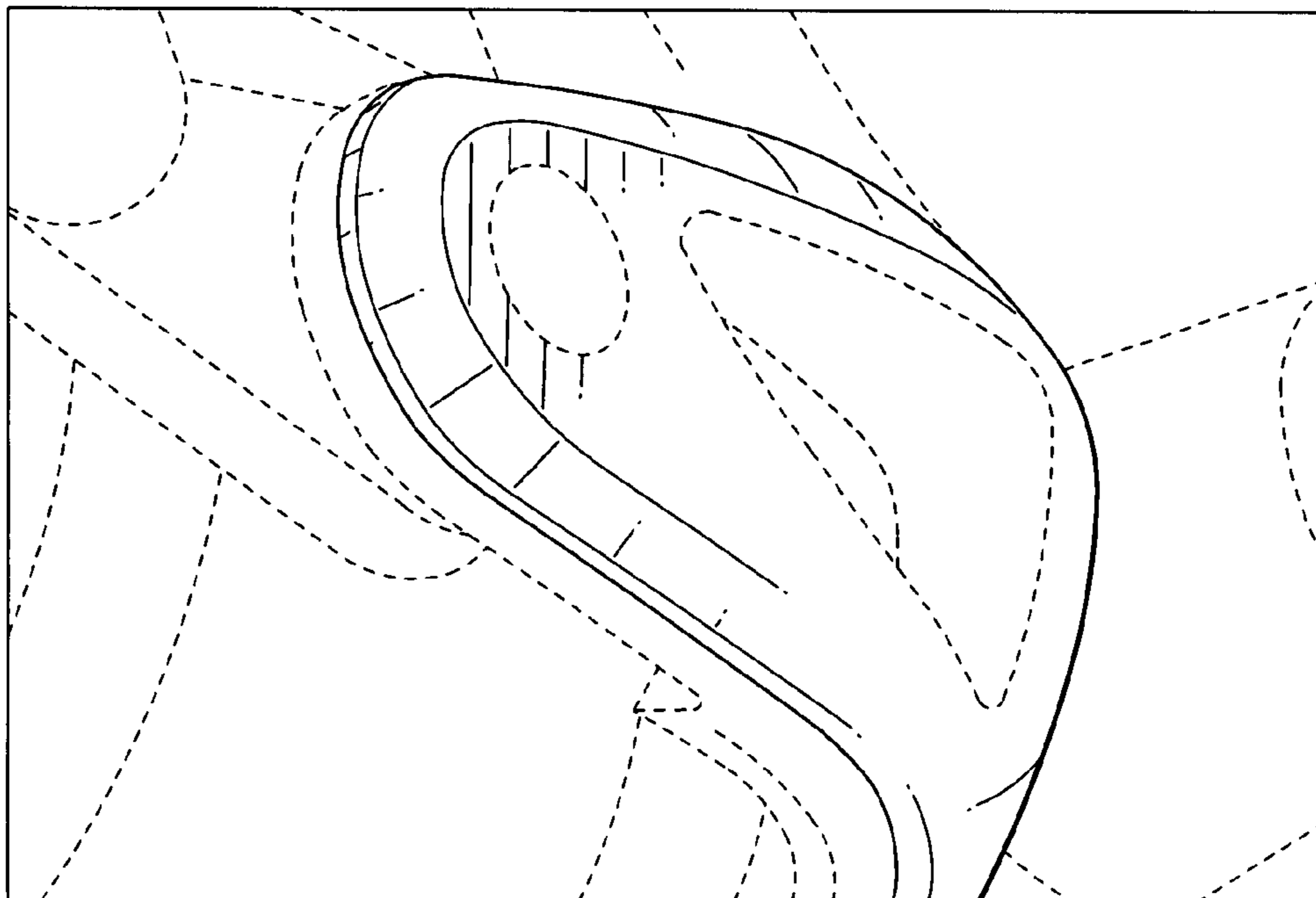


FIG. 12

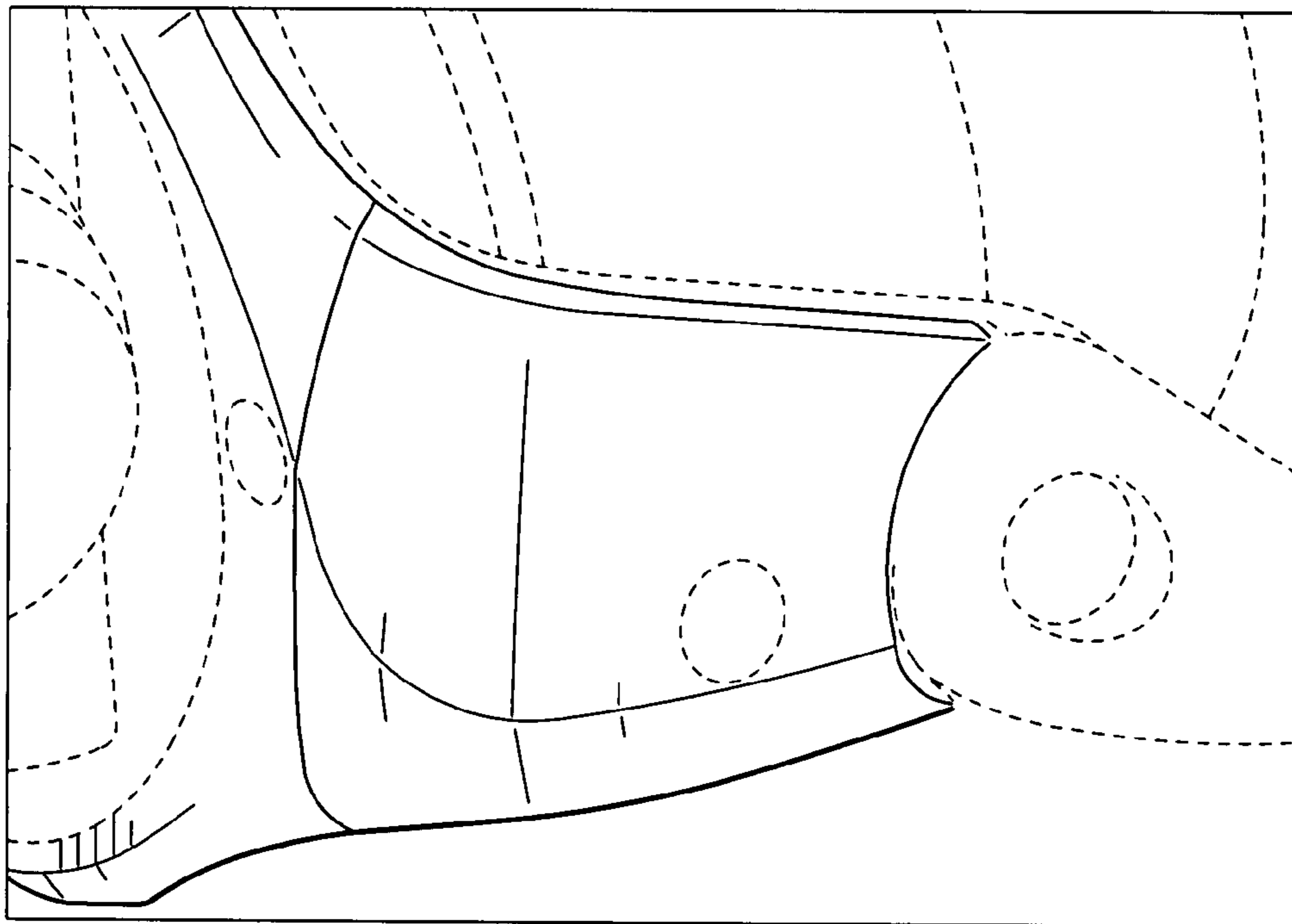


FIG. 13

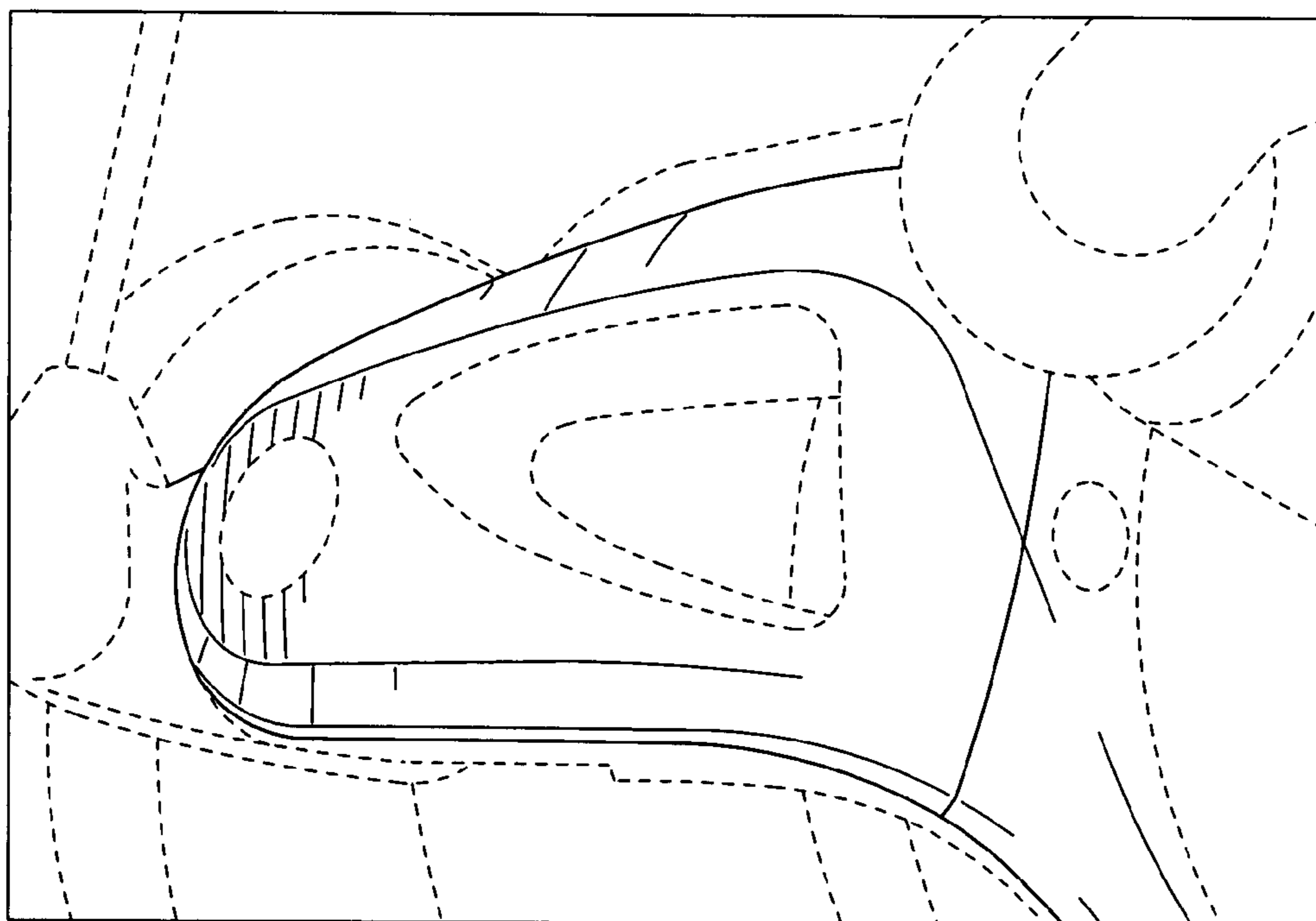


FIG. 14