



US00D561869S

(12) **United States Design Patent**
Wong

(10) **Patent No.:** **US D561,869 S**

(45) **Date of Patent:** **** Feb. 12, 2008**

(54) **FISHING REEL**

(75) Inventor: **Kwok Yin Wong**, Hong Kong (HK)

(73) Assignee: **Shakespeare Company, LLC**,
Columbia, SC (US)

(**) Term: **14 Years**

(21) Appl. No.: **29/256,780**

(22) Filed: **Mar. 23, 2006**

Related U.S. Application Data

(63) Continuation of application No. 29/226,086, filed on
Mar. 23, 2005, now Pat. No. Des. 521,104.

(51) **LOC (8) Cl.** **22-05**

(52) **U.S. Cl.** **D22/140**

(58) **Field of Classification Search** D22/140-141,
D22/137; 242/223-224, 234-240, 370, 316,
242/311, 322, 283; 43/19-22

See application file for complete search history.

(56) **References Cited**

U.S. PATENT DOCUMENTS

D156,337 S	12/1949	Hammer	D22/140
3,259,333 A	7/1966	Hull	242/239
3,836,092 A	9/1974	Hull	242/84.2
D290,987 S	7/1987	Robbins et al.	D22/141
D314,603 S	2/1991	Jackson et al.	D22/141
D404,109 S	1/1999	Zwayer et al.	D22/141
5,988,548 A	11/1999	Chapman et al.	D22/141
6,138,935 A	10/2000	Zwayer et al.	242/310
D443,333 S	6/2001	Gibson	242/311

D459,430 S	6/2002	Burke	D22/140
D460,994 S	7/2002	Burke	D22/140
D482,753 S	11/2003	Burke	D22/140
D491,998 S	6/2004	Burke	D22/140

Primary Examiner—Catherine R. Oliver

(74) *Attorney, Agent, or Firm*—Nelson Mullins Riley &
Scarborough LLP

(57) **CLAIM**

The ornamental design for fishing reel, as shown and
described.

DESCRIPTION

FIG. 1 is a perspective view of the back cone of a fishing reel
embodying the design of the present invention.

FIG. 2 is a left side elevational view of the fishing reel
illustrated in FIG. 1.

FIG. 3 is a right side elevational view of the fishing reel
illustrated in FIG. 1.

FIG. 4 is a front elevational view of a fishing reel incorpo-
rating the back cone illustrated in FIG. 1.

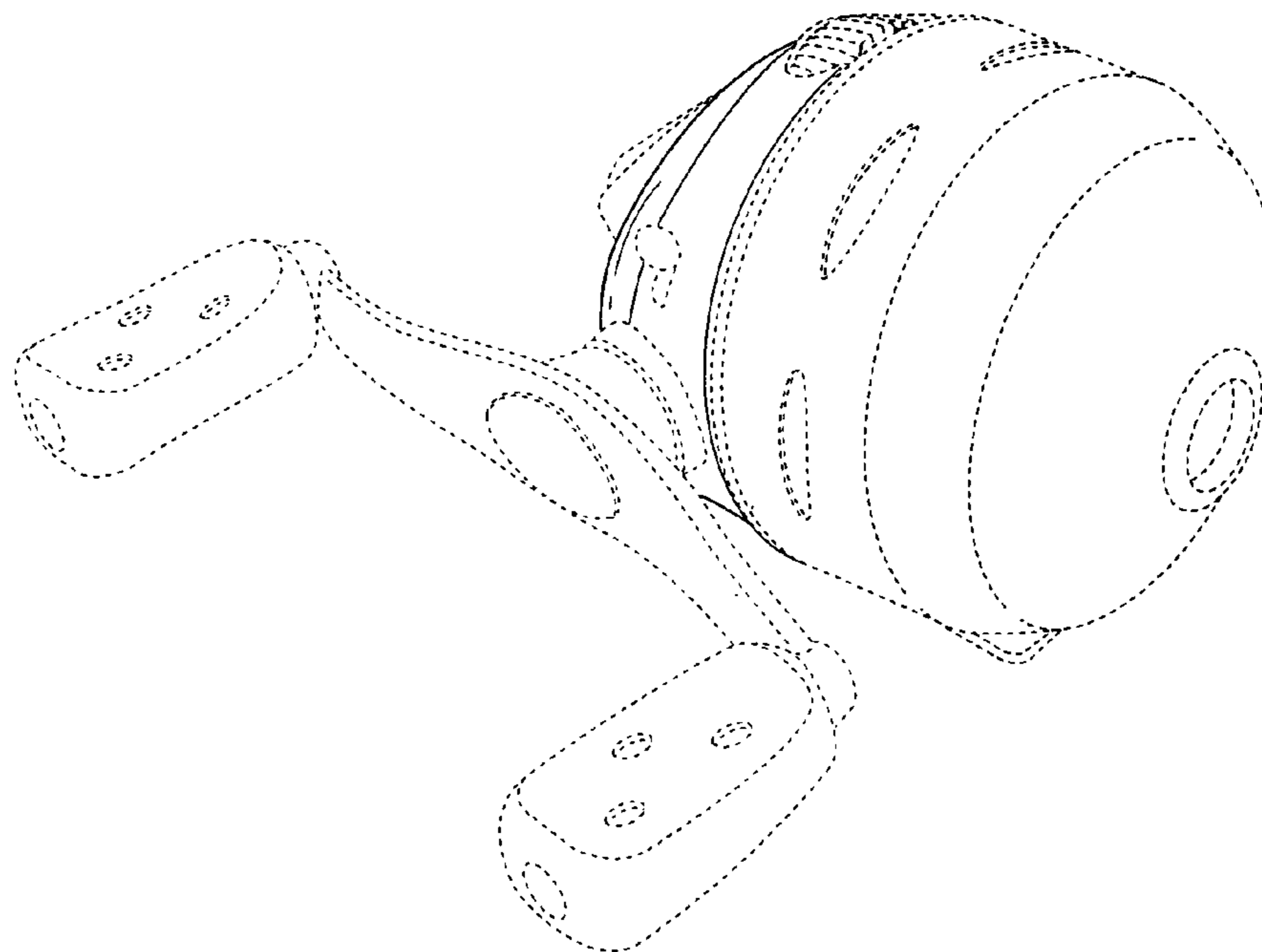
FIG. 5 is a rear elevational view of the fishing reel illustrated
in FIG. 1.

FIG. 6 is a top plan view of the fishing reel illustrated in FIG.
1; and,

FIG. 7 is a bottom view of the fishing reel illustrated in FIG.
1.

The environmental structure shown in broken lines forms no
part of the claimed design.

1 Claim, 7 Drawing Sheets



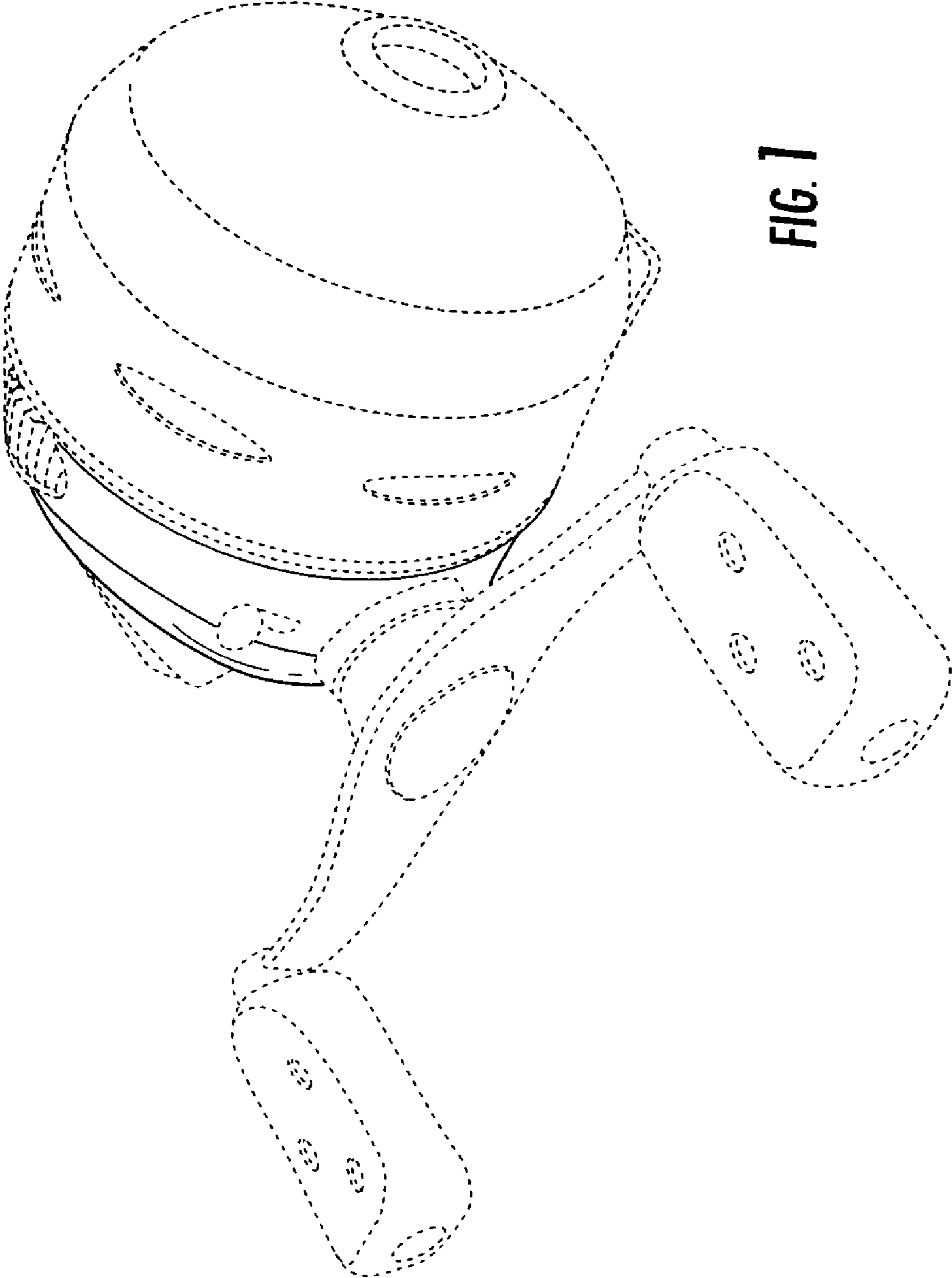


FIG. 1

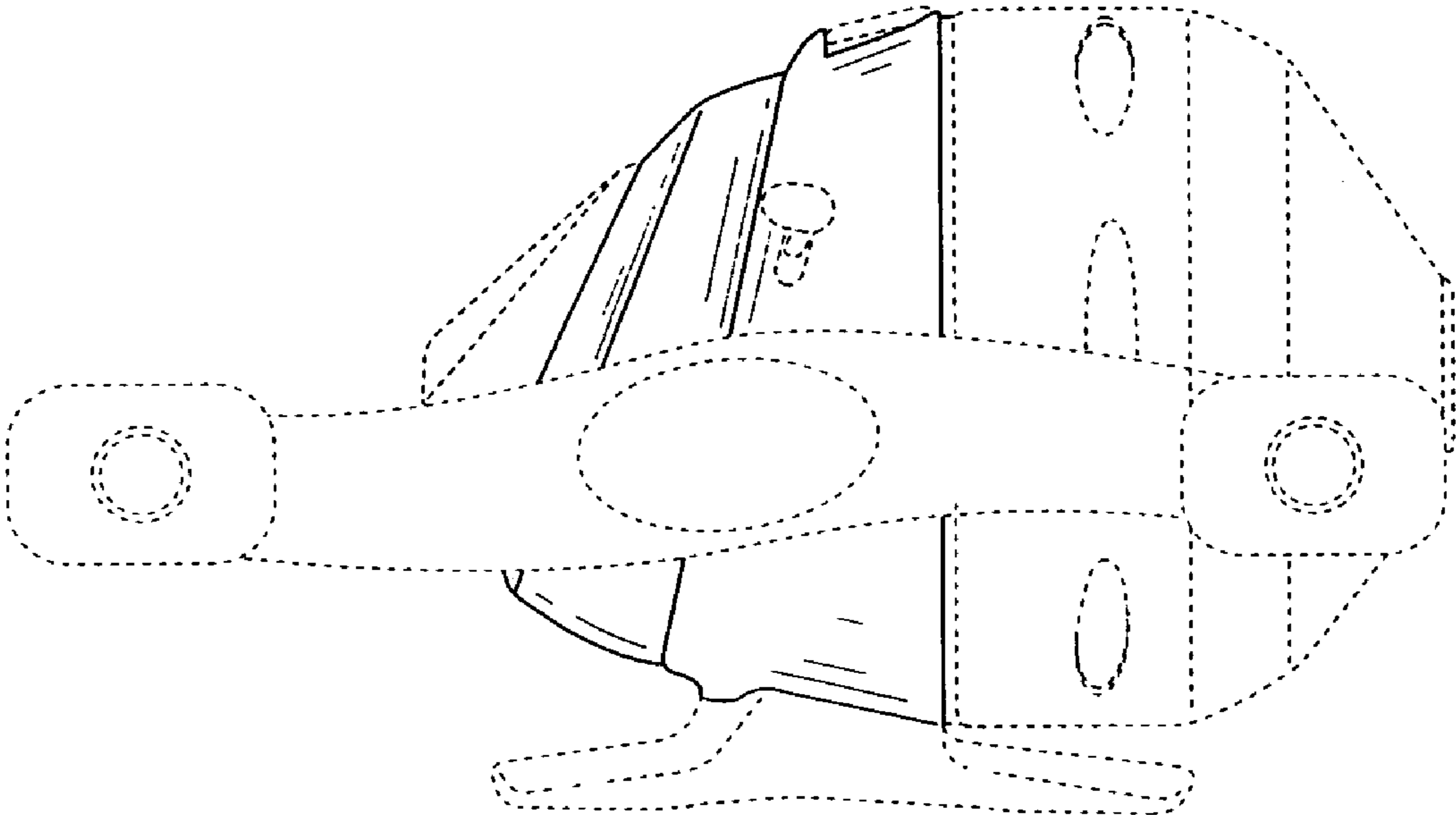


FIG. 2

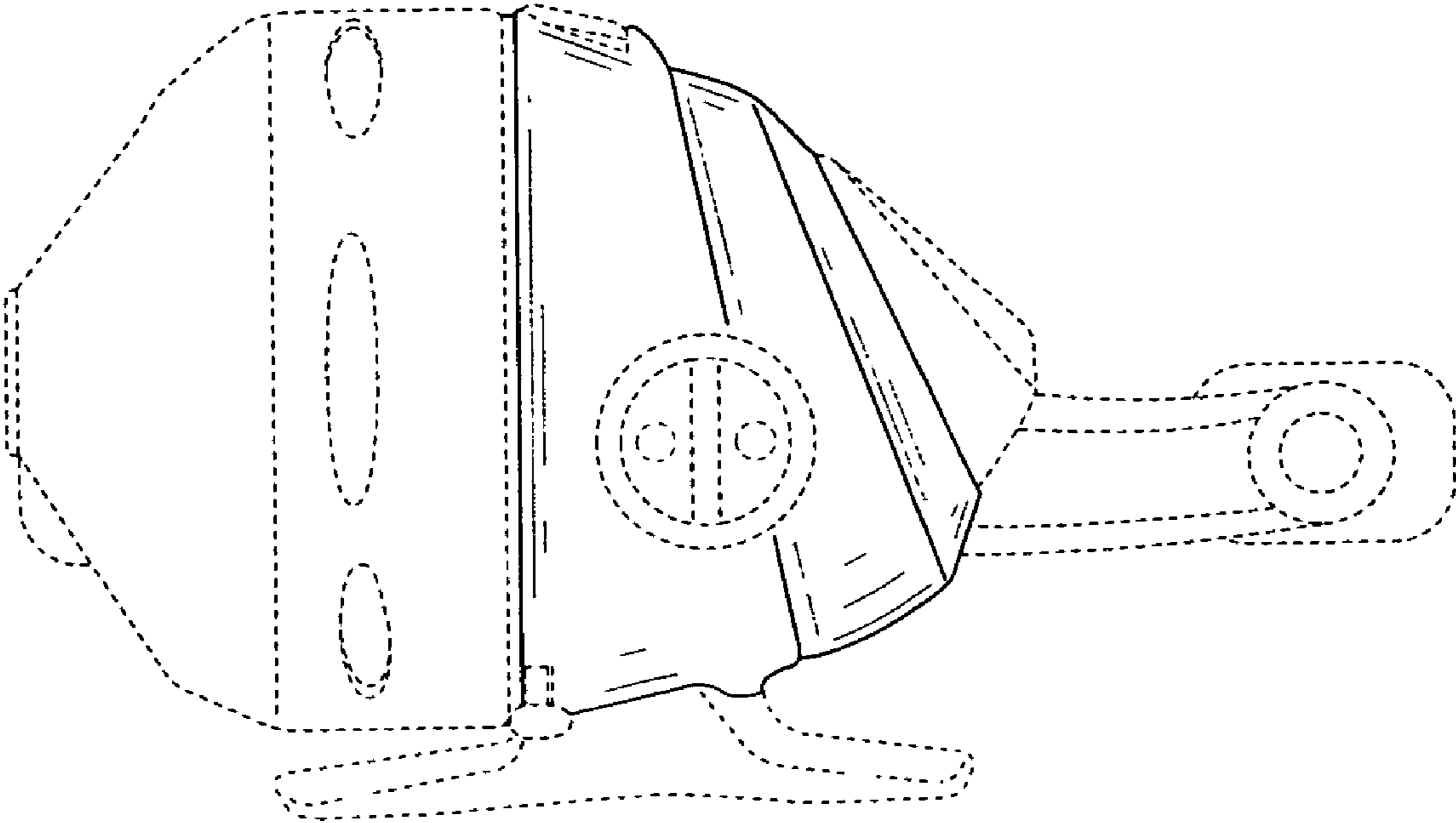


FIG. 3

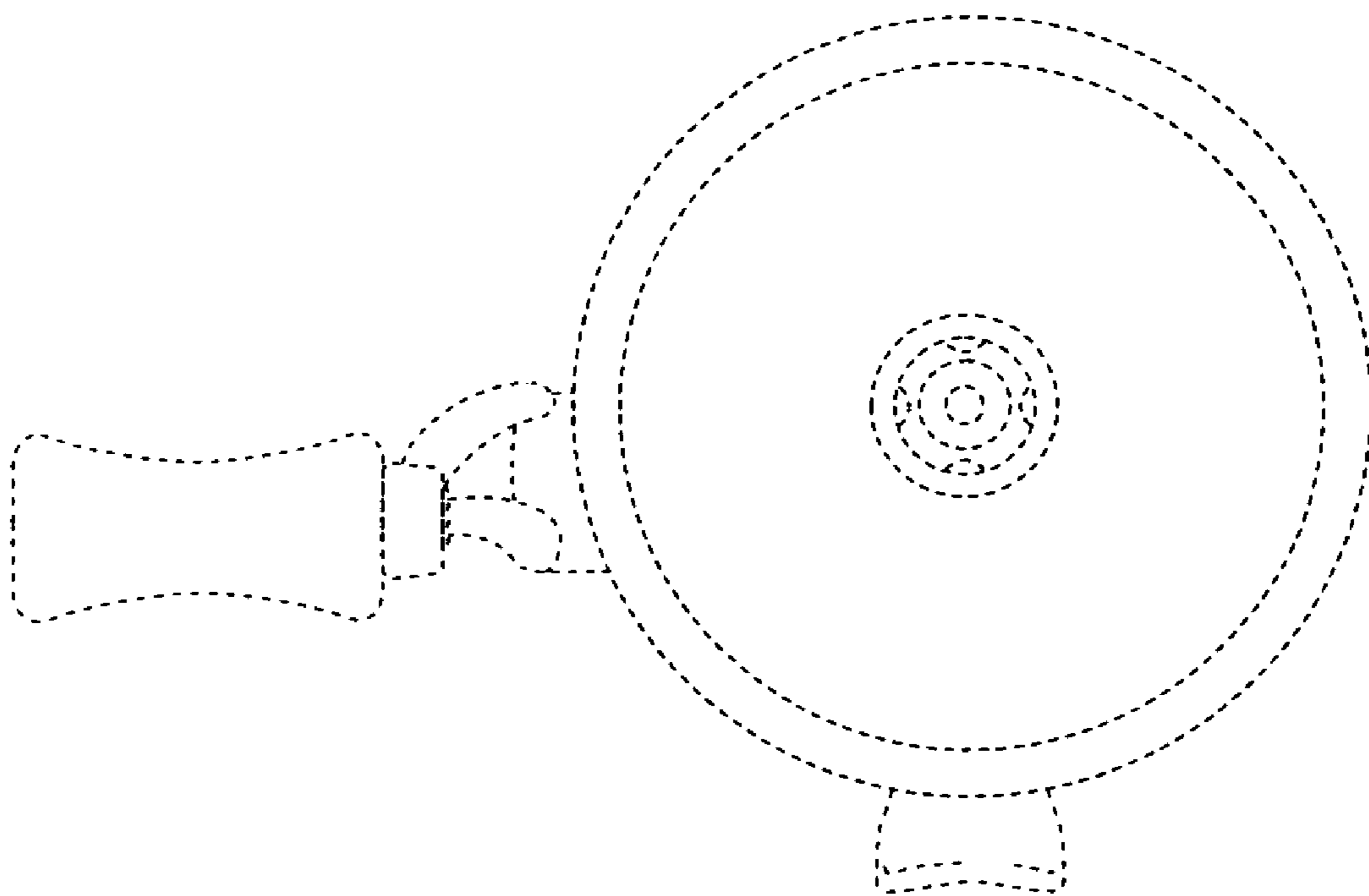


FIG. 4

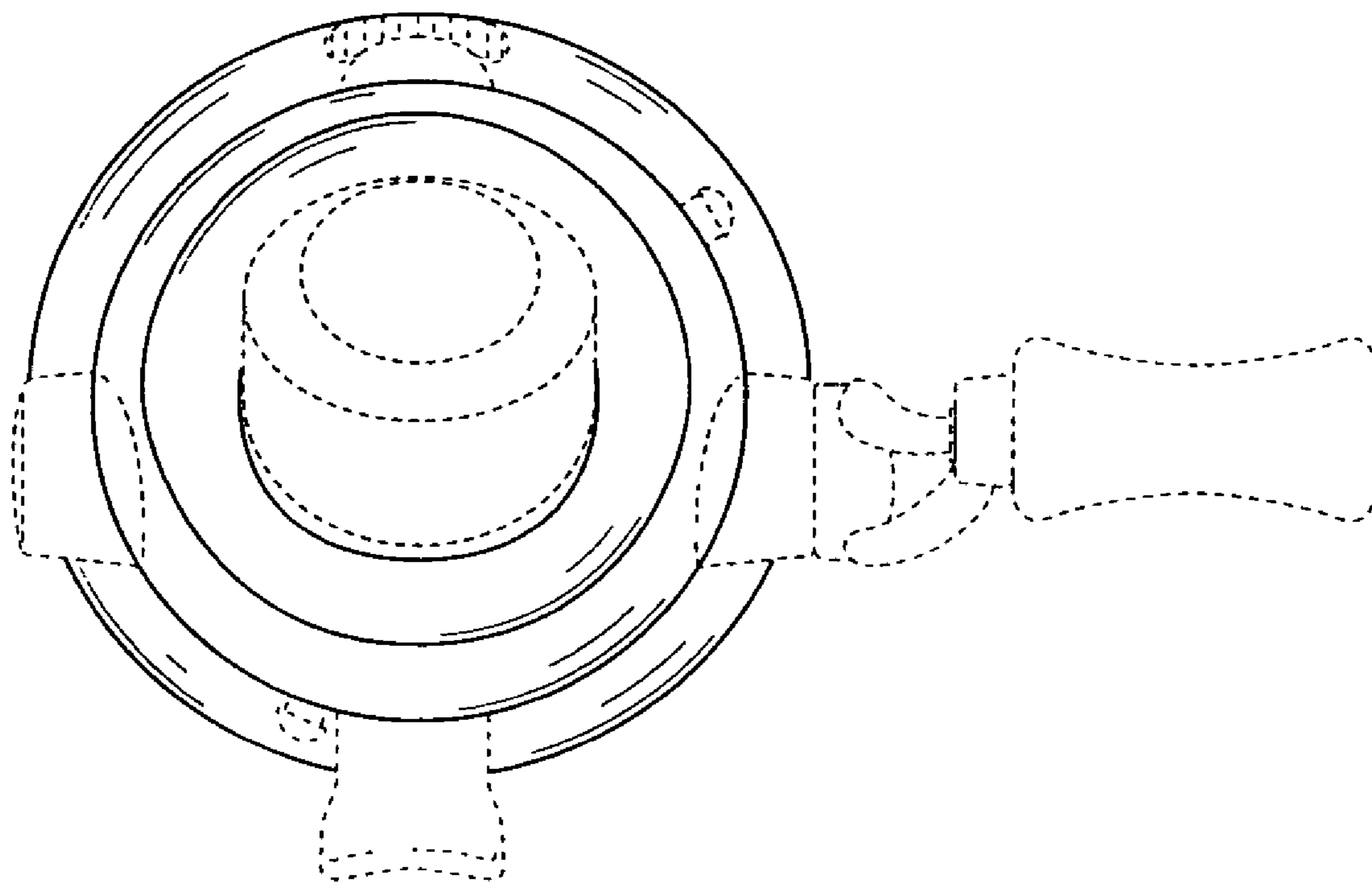


FIG. 5

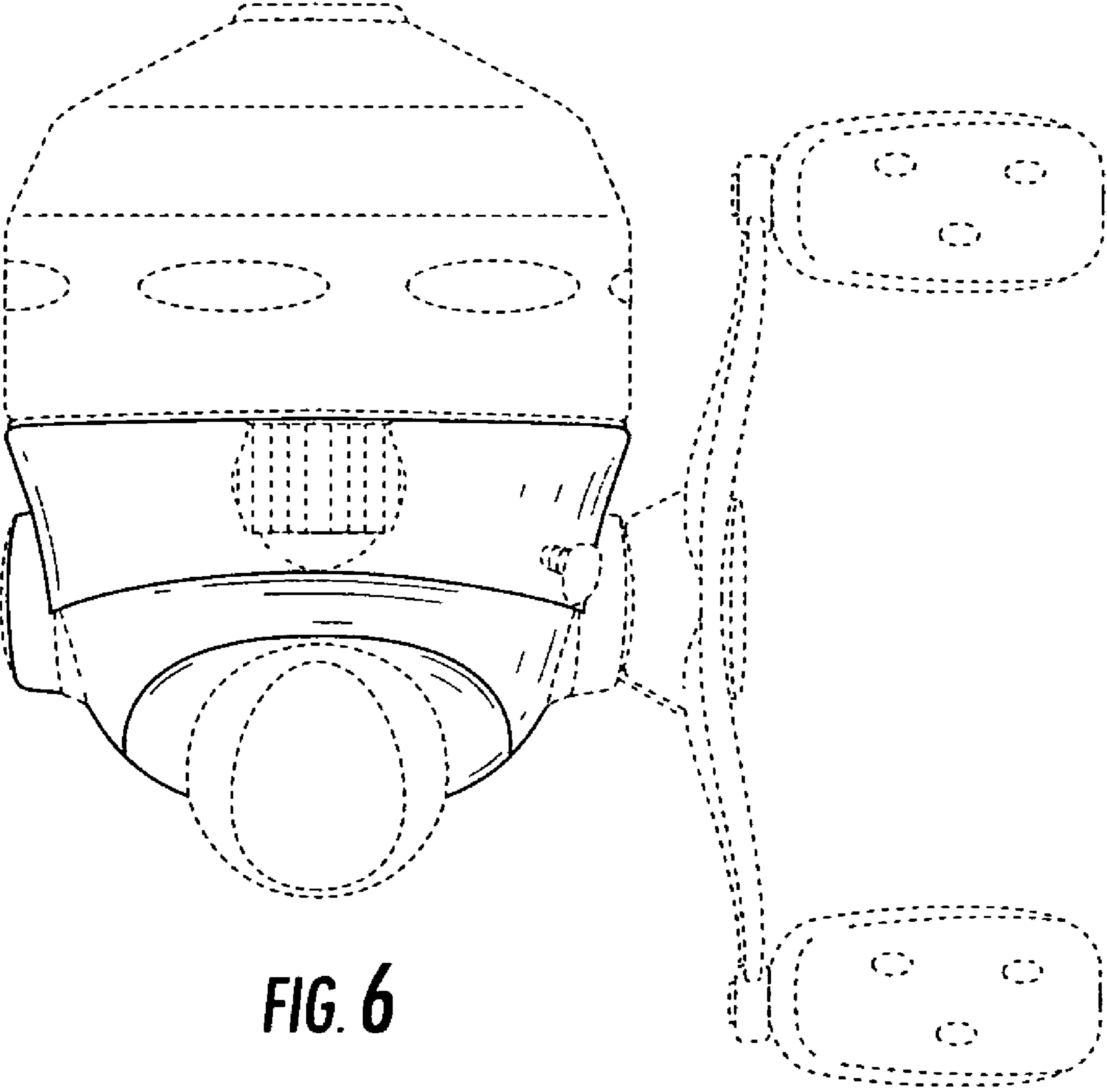


FIG. 6

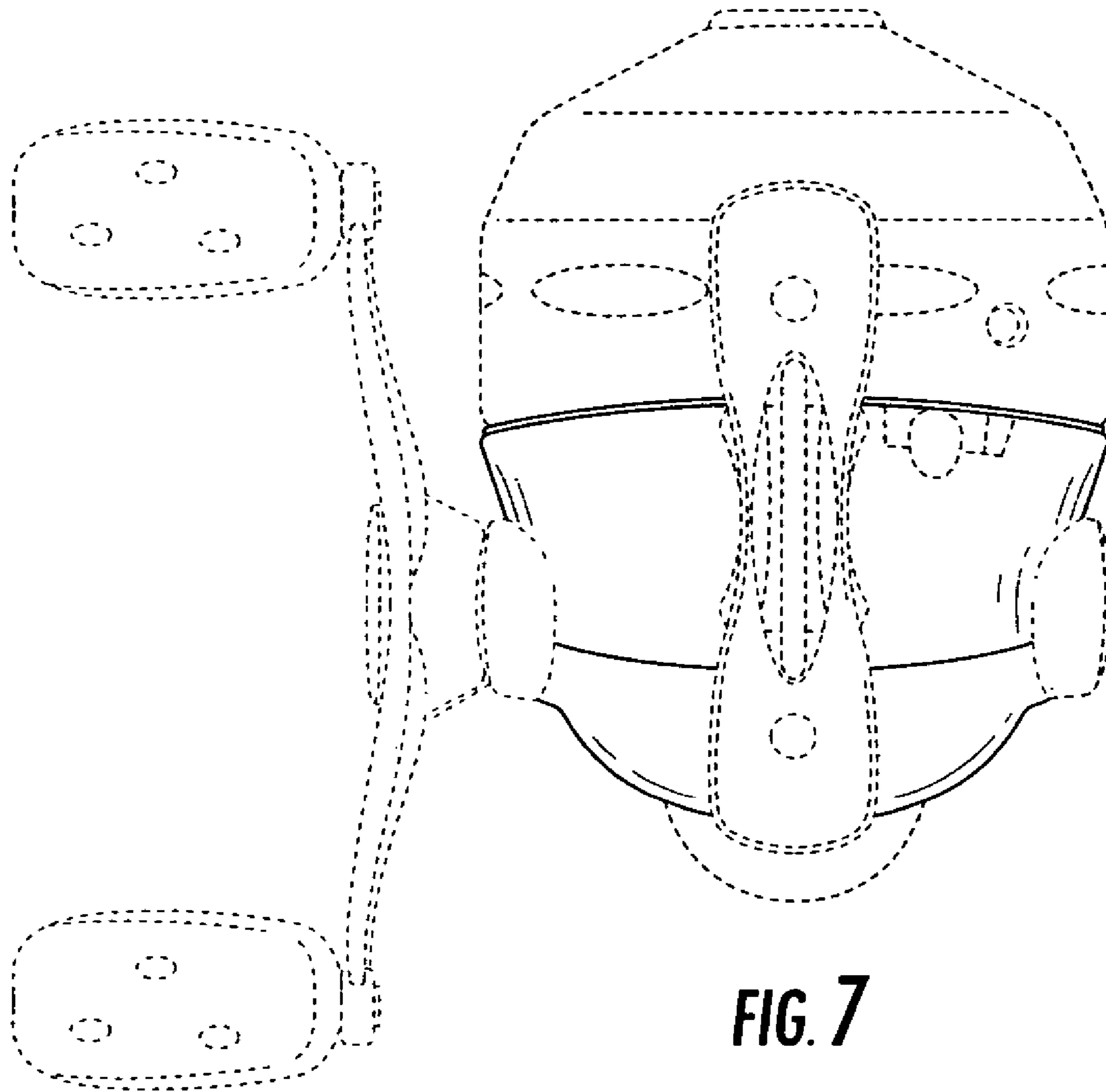


FIG. 7