



US00D561868S

(12) **United States Design Patent**  
**Wong**

(10) **Patent No.:** **US D561,868 S**

(45) **Date of Patent:** **\*\* Feb. 12, 2008**

(54) **FISHING REEL**

(75) Inventor: **Kwok Yin Wong**, Hong Kong (HK)

(73) Assignee: **Shakespeare Company, LLC**,  
Columbia, SC (US)

(\*\*) Term: **14 Years**

(21) Appl. No.: **29/256,655**

(22) Filed: **Mar. 23, 2006**

**Related U.S. Application Data**

(63) Continuation of application No. 29/226,086, filed on  
Mar. 23, 2005, now Pat. No. Des. 521,104.

(51) **LOC (8) Cl.** ..... **22-05**

(52) **U.S. Cl.** ..... **D22/140**

(58) **Field of Classification Search** ..... D22/140-141,  
D22/137; 242/223-224, 234-240, 370, 316,  
242/311, 322, 283; 43/19-22

See application file for complete search history.

(56) **References Cited**

**U.S. PATENT DOCUMENTS**

|             |         |                |       |         |
|-------------|---------|----------------|-------|---------|
| D156,337 S  | 12/1949 | Hammer         | ..... | D22/140 |
| 3,259,333 A | 7/1966  | Hull           | ..... | 242/239 |
| 3,836,092 A | 9/1974  | Hull           | ..... | 242/842 |
| D290,987 S  | 7/1987  | Robbins et al. | ..... | D22/141 |
| D314,603 S  | 2/1991  | Jackson et al. | ..... | D22/141 |
| D404,109 S  | 1/1999  | Zwayer et al.  | ..... | D22/141 |
| 5,988,548 A | 11/1999 | Chapman et al. | ..... | 242/310 |
| 6,138,935 A | 10/2000 | Zwayer et al.  | ..... | 242/311 |
| D443,333 S  | 6/2001  | Gibson         | ..... | D22/140 |

|            |         |       |       |         |
|------------|---------|-------|-------|---------|
| D459,430 S | 6/2002  | Burke | ..... | D22/140 |
| D460,994 S | 7/2002  | Burke | ..... | D22/140 |
| D482,753 S | 11/2003 | Burke | ..... | D22/140 |
| D491,998 S | 6/2004  | Burke | ..... | D22/140 |

*Primary Examiner*—Catherine R. Oliver

(74) *Attorney, Agent, or Firm*—Nelson Mullins Riley &  
Scarborough LLP

(57) **CLAIM**

The ornamental design for fishing reel, as shown and  
described.

**DESCRIPTION**

FIG. 1 is a perspective view of the front cone of a fishing reel  
embodying the design of the present invention.

FIG. 2 is a left side elevational view of the fishing reel  
illustrated in FIG. 1.

FIG. 3 is a right side elevational view of the fishing reel  
illustrated in FIG. 1.

FIG. 4 is a front elevational view of the fishing reel  
illustrated in FIG. 1.

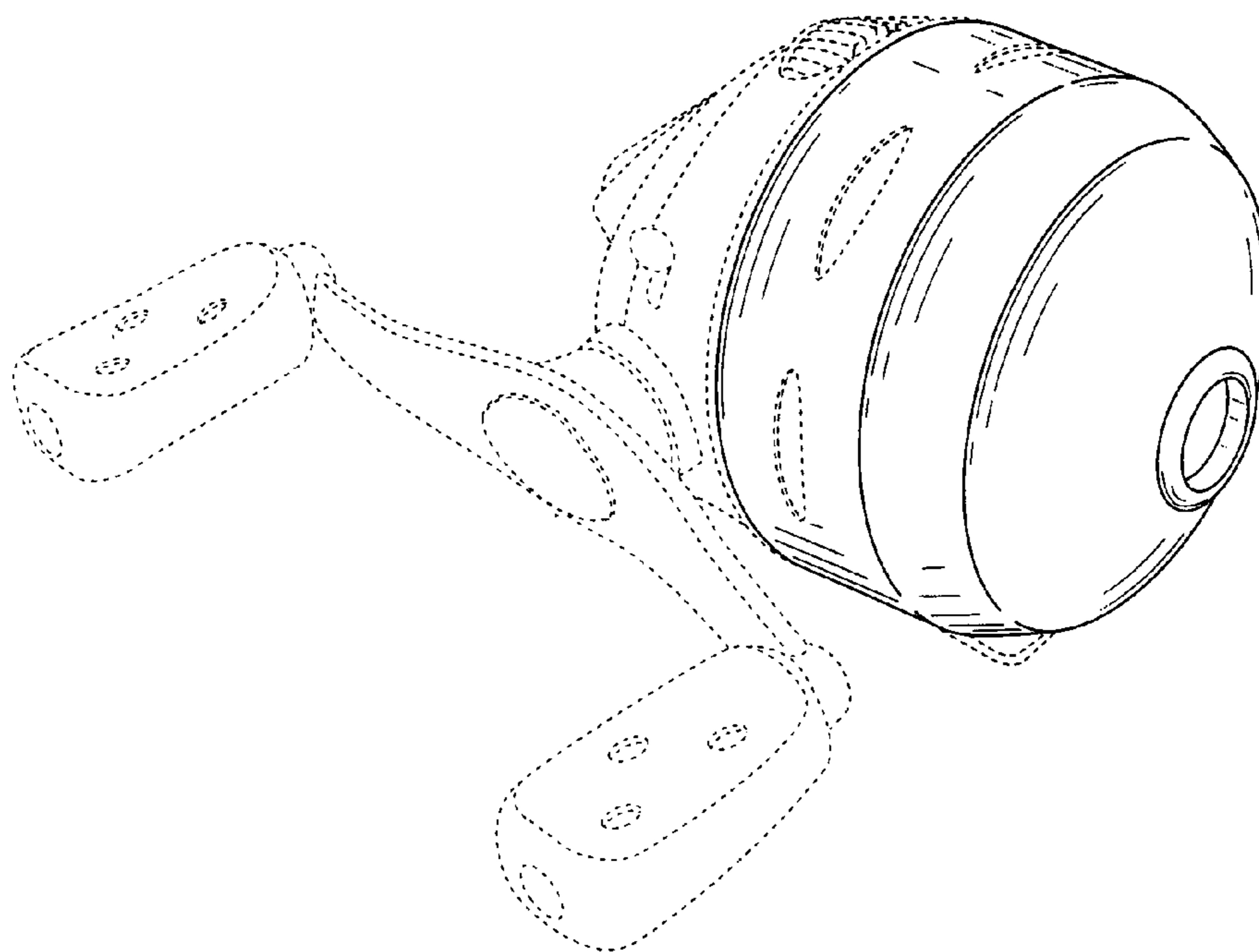
FIG. 5 is a rear elevational view of a fishing reel incorpo-  
rating the front cone illustrated in FIG. 1.

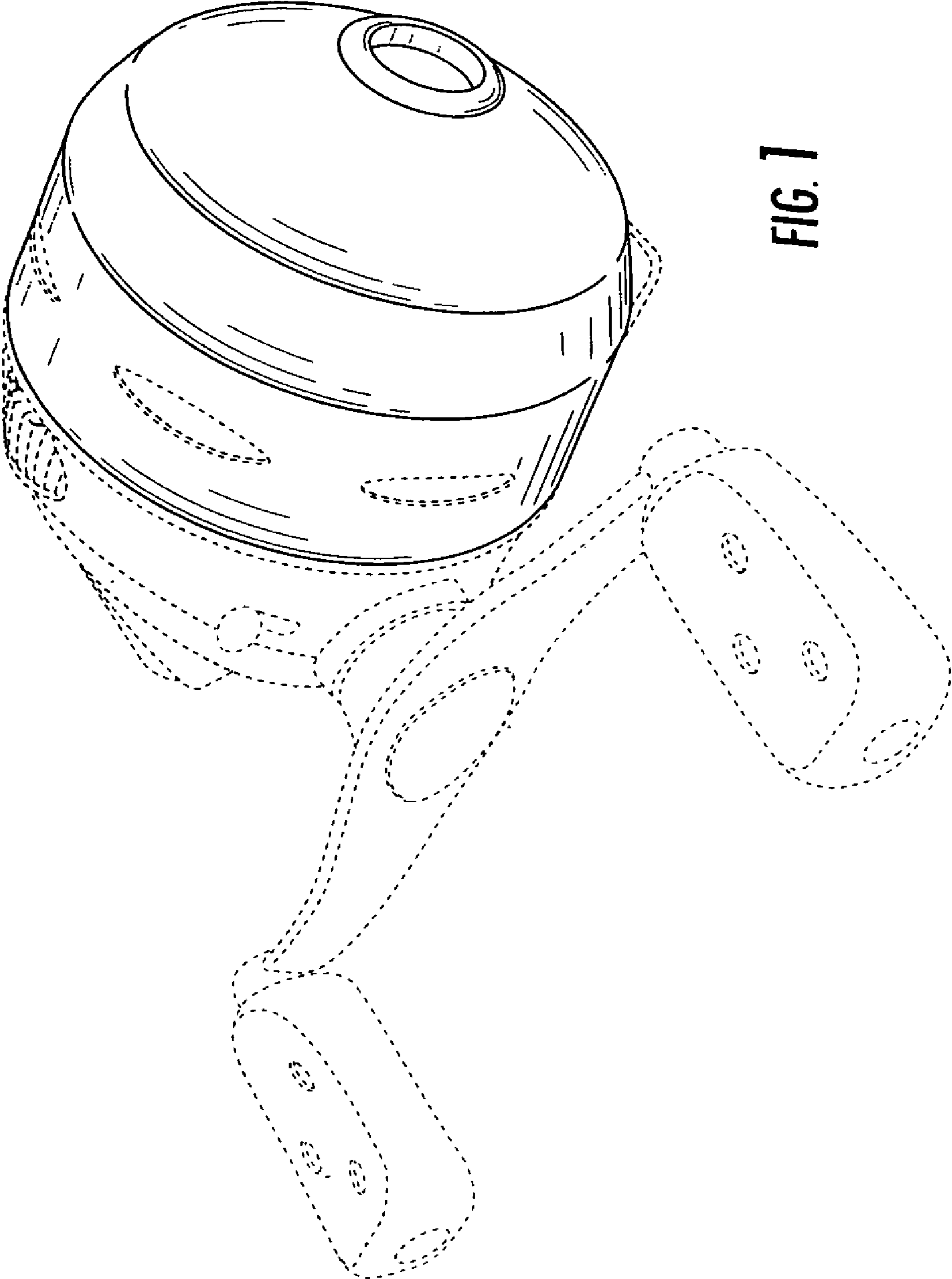
FIG. 6 is a top plan view of the fishing reel illustrated in FIG.  
1; and,

FIG. 7 is a bottom view of the fishing reel illustrated in FIG.  
1.

The environmental structure shown in broken lines forms no  
part of the claimed design.

**1 Claim, 7 Drawing Sheets**





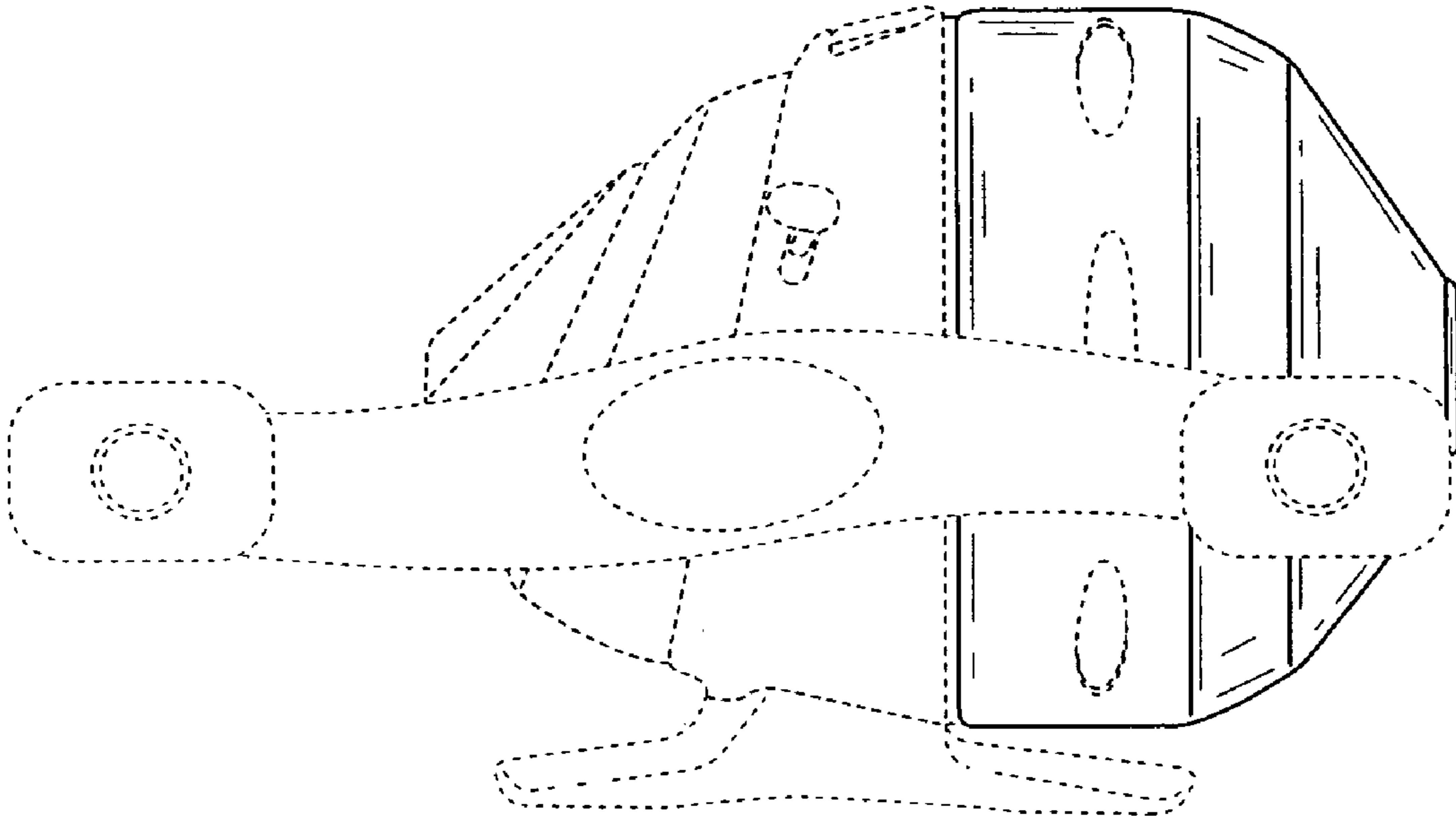
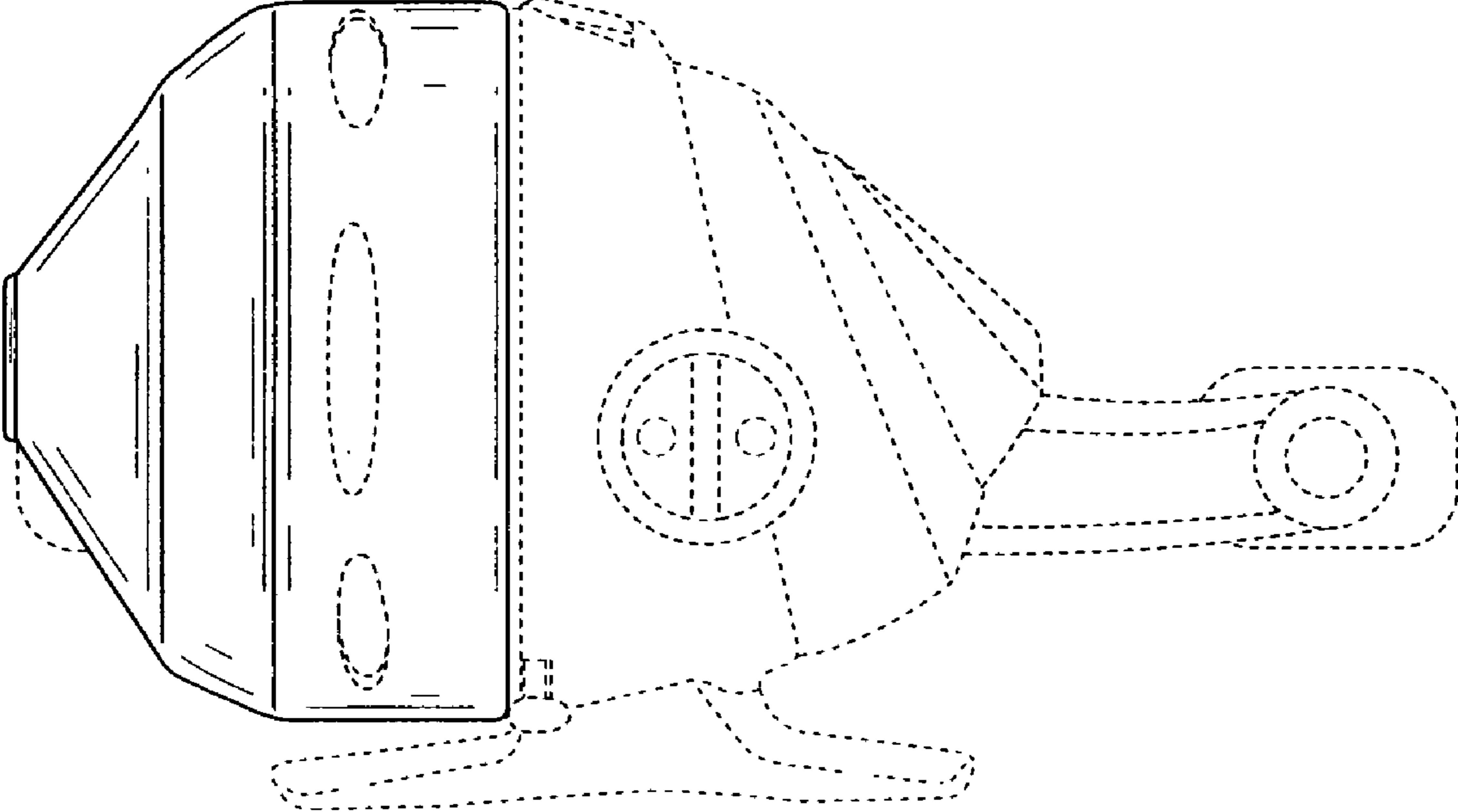
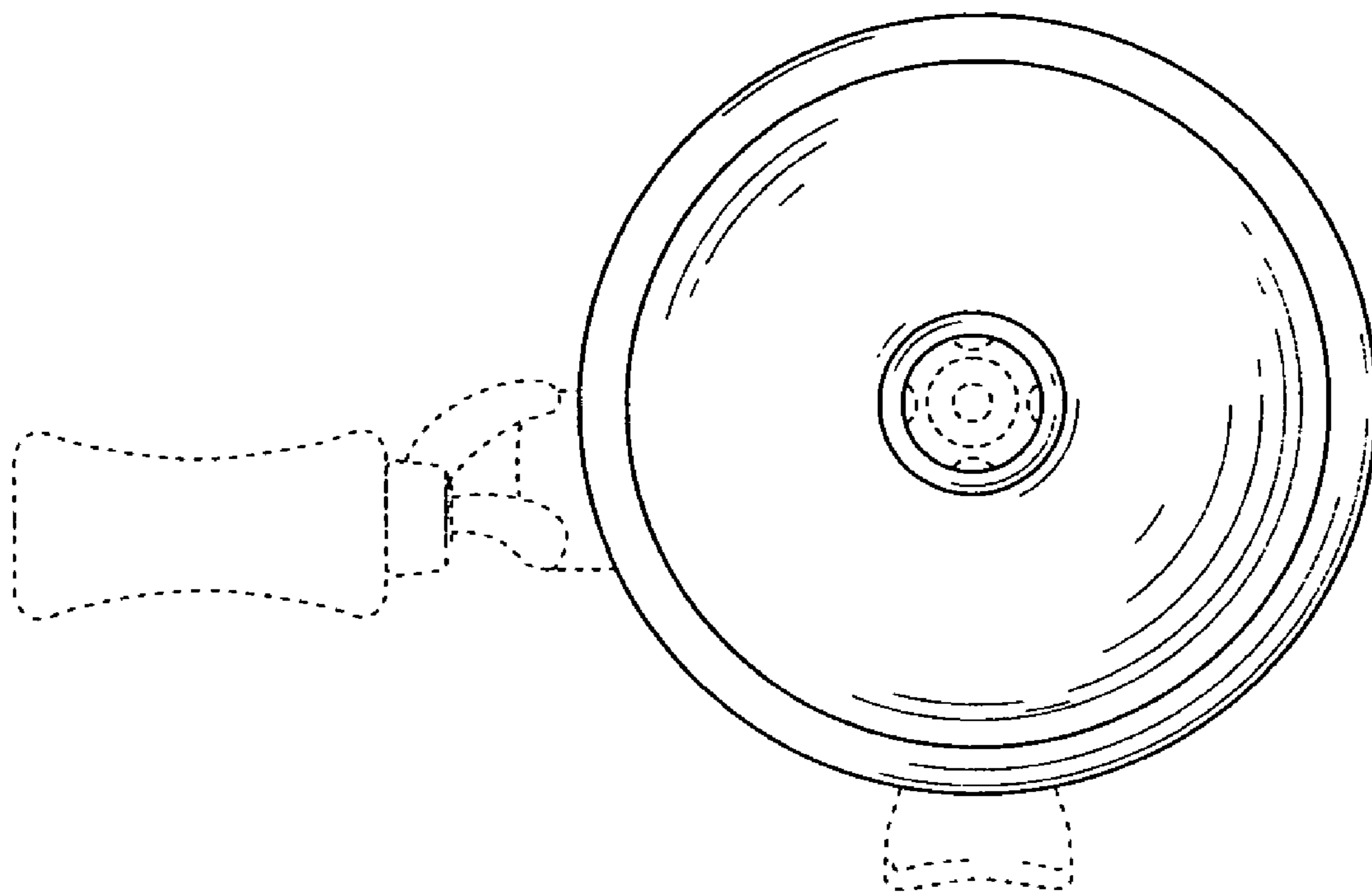


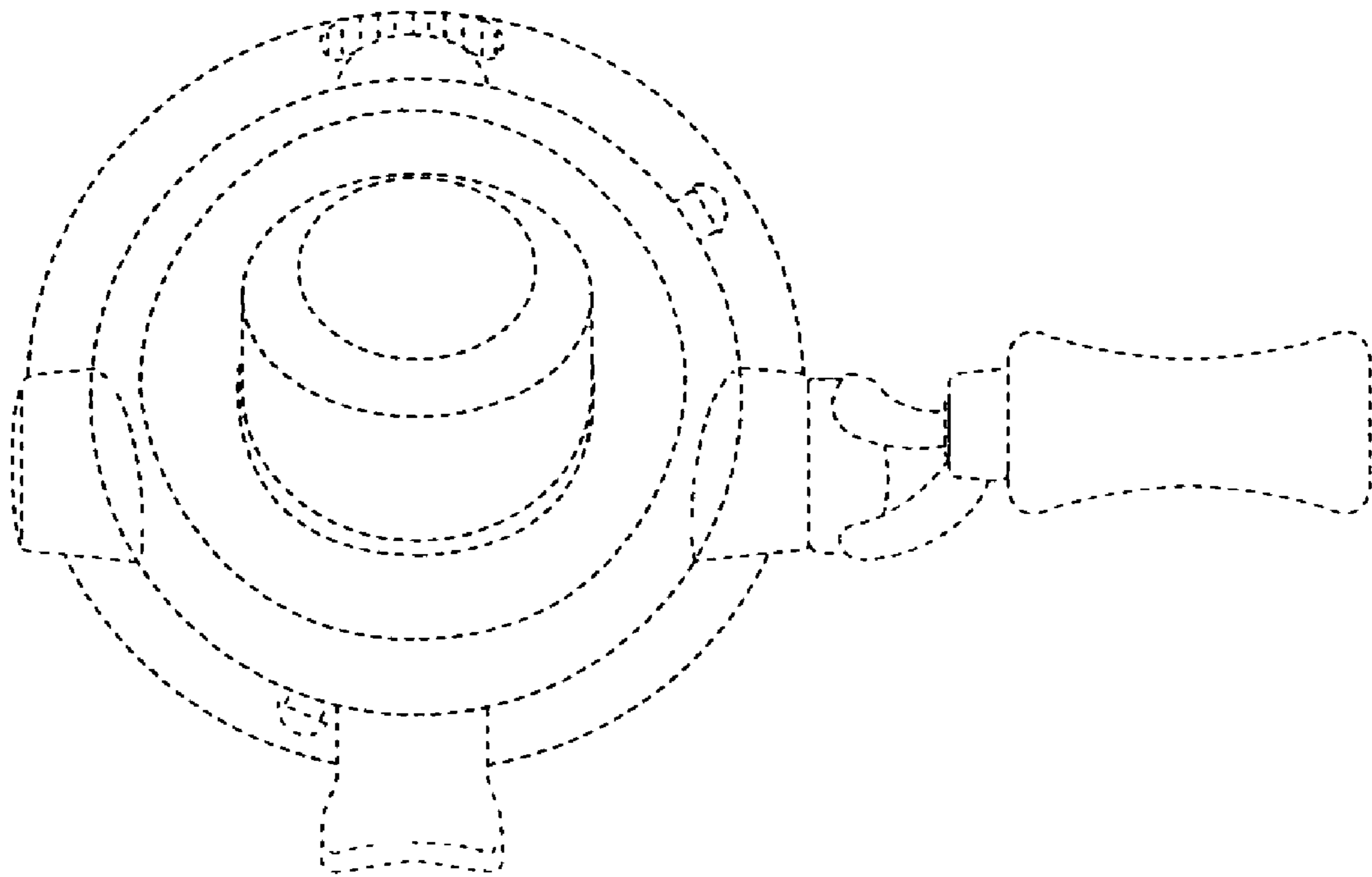
FIG. 2



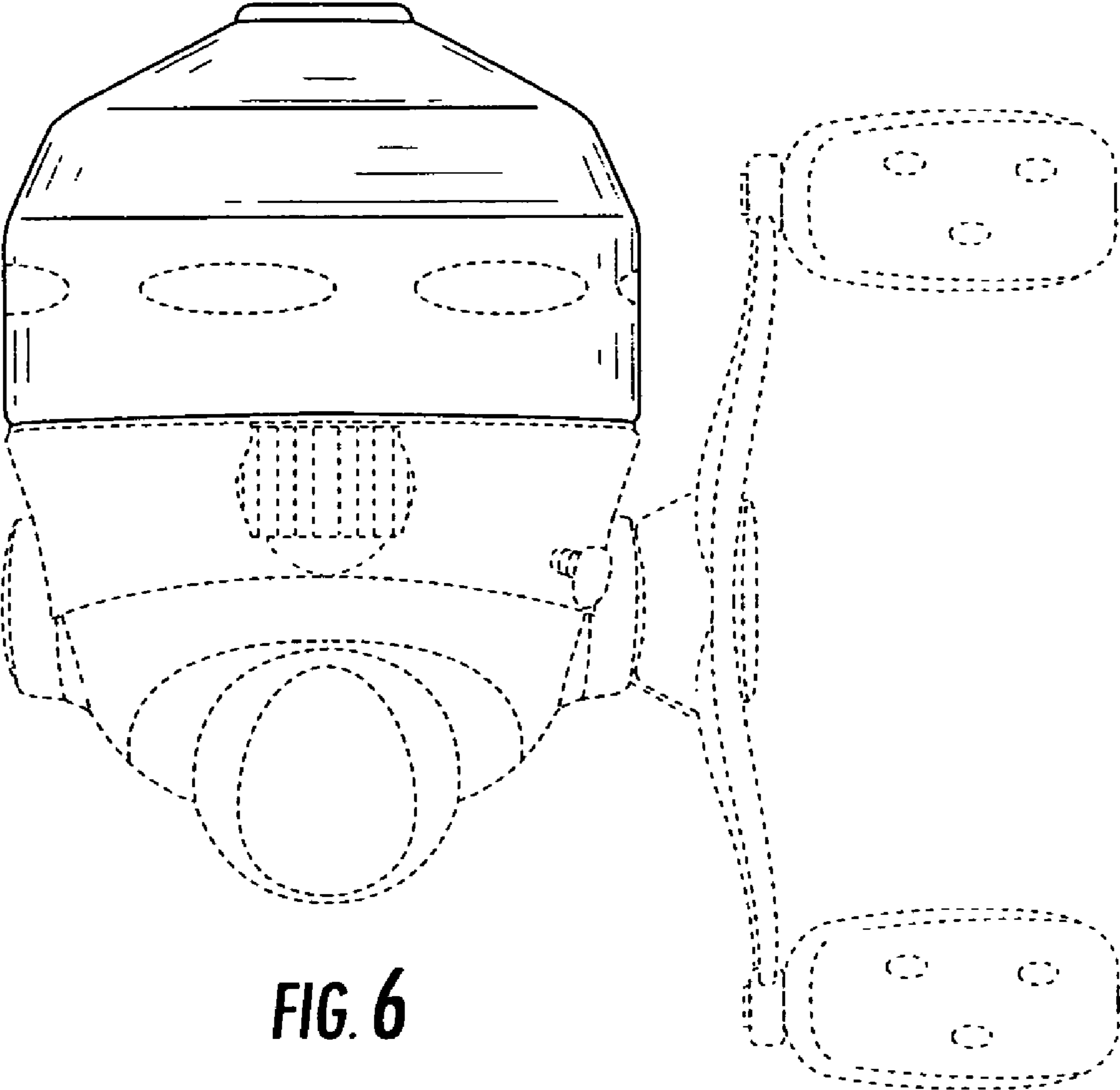
**FIG. 3**



**FIG. 4**



**FIG. 5**



**FIG. 6**

