



US00D561867S

(12) **United States Design Patent**
Anderson

(10) **Patent No.:** **US D561,867 S**

(45) **Date of Patent:** **** Feb. 12, 2008**

(54) **TOP WATER TROUT DESIGN FISHING LURE**

(76) Inventor: **Jeremy Douglas Anderson**, 5165 Peony Dr., Livermore, CA (US) 94551

(**) Term: **14 Years**

(21) Appl. No.: **29/281,905**

(22) Filed: **Jul. 5, 2007**

(51) **LOC (8) Cl.** **22-05**

(52) **U.S. Cl.** **D22/133**

(58) **Field of Classification Search** D22/125-133;
43/42.34, 42.45, 42.48, 42.03, 42.33, 42.09,
43/42.11, 42.47, 42.31

See application file for complete search history.

(56) **References Cited**

U.S. PATENT DOCUMENTS

D412,022 S 7/1999 Weber D22/133
D485,884 S * 1/2004 Wu D22/133

* cited by examiner

Primary Examiner—Catherine R. Oliver

(74) *Attorney, Agent, or Firm*—Townsend and Townsend and Crew LLP

(57) **CLAIM**

The ornamental design for top water trout design fishing lure, as shown and described.

DESCRIPTION

FIG. 1 is a perspective view of a fishing lure showing my new design;

FIG. 2 is an alternative perspective view of FIG. 1;

FIG. 3 is a side view of FIG. 1;

FIG. 4 is an alternative side view of FIG. 1;

FIG. 5 is a front-view of FIG. 1;

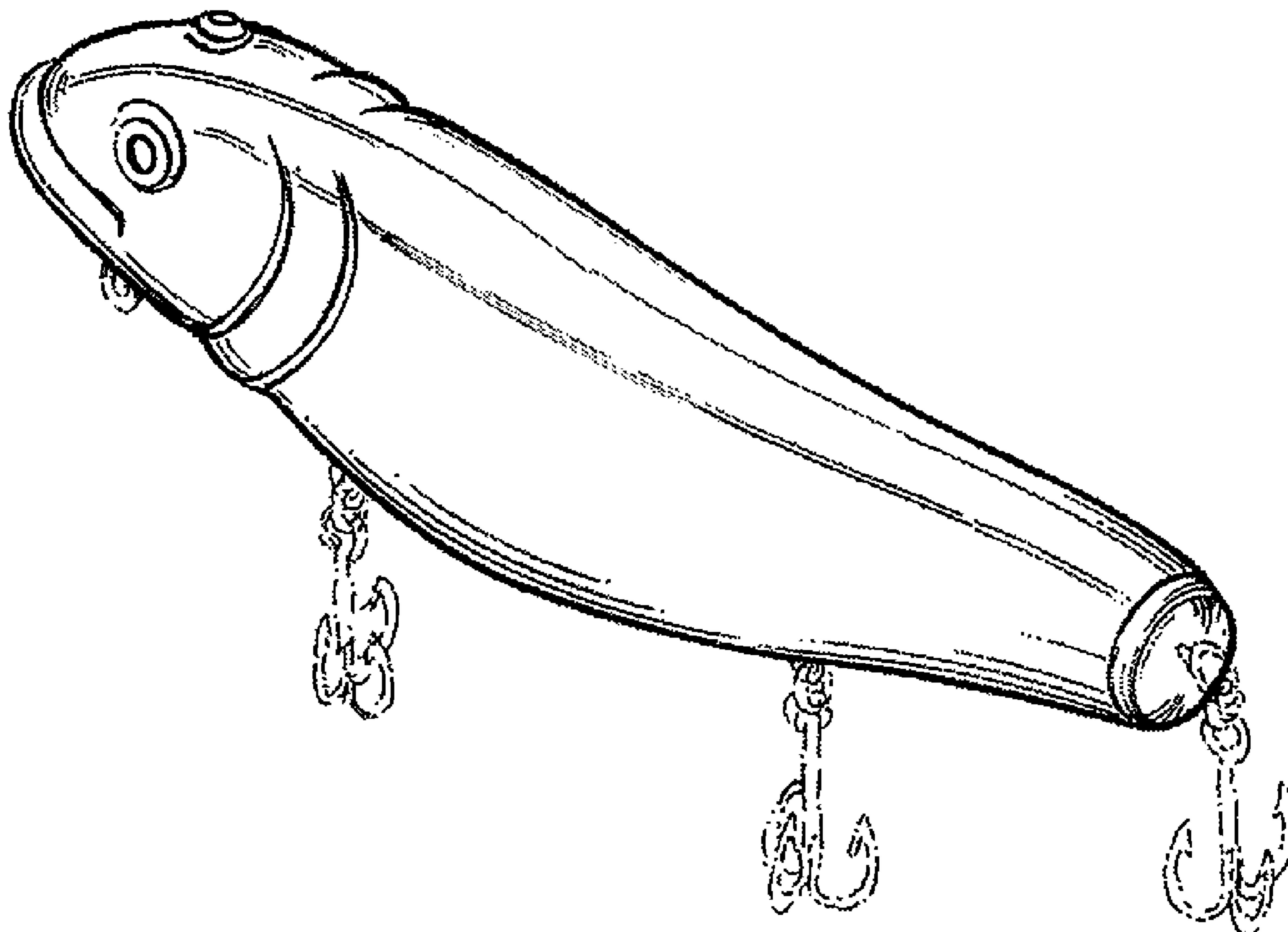
FIG. 6 is a rear view of FIG. 1;

FIG. 7 is a top view of FIG. 1; and,

FIG. 8 is a bottom view of FIG. 1.

The broken line showing of environment and all views is for illustrative purposes only and forms no part of the claimed design.

1 Claim, 4 Drawing Sheets



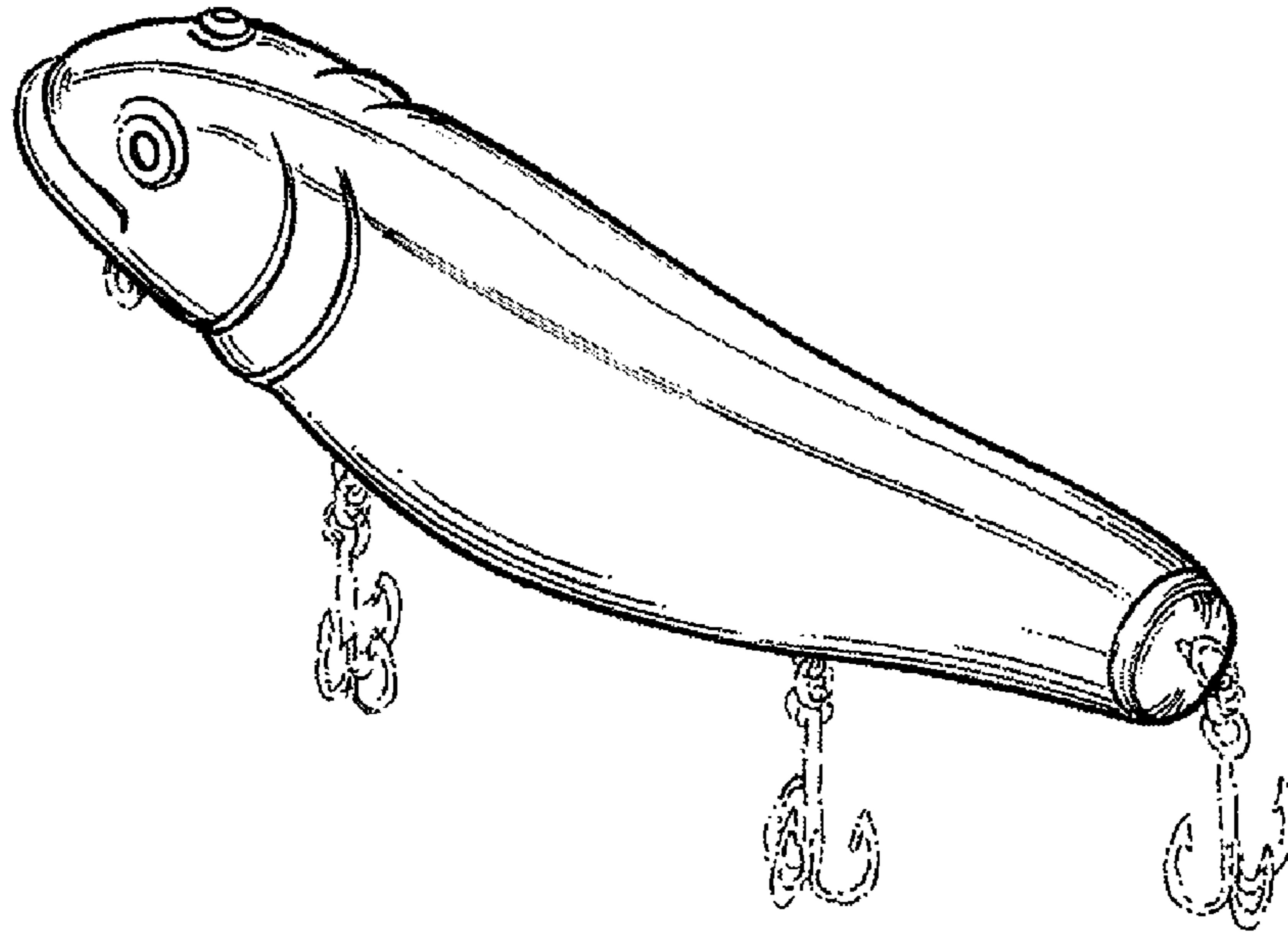


FIGURE 1

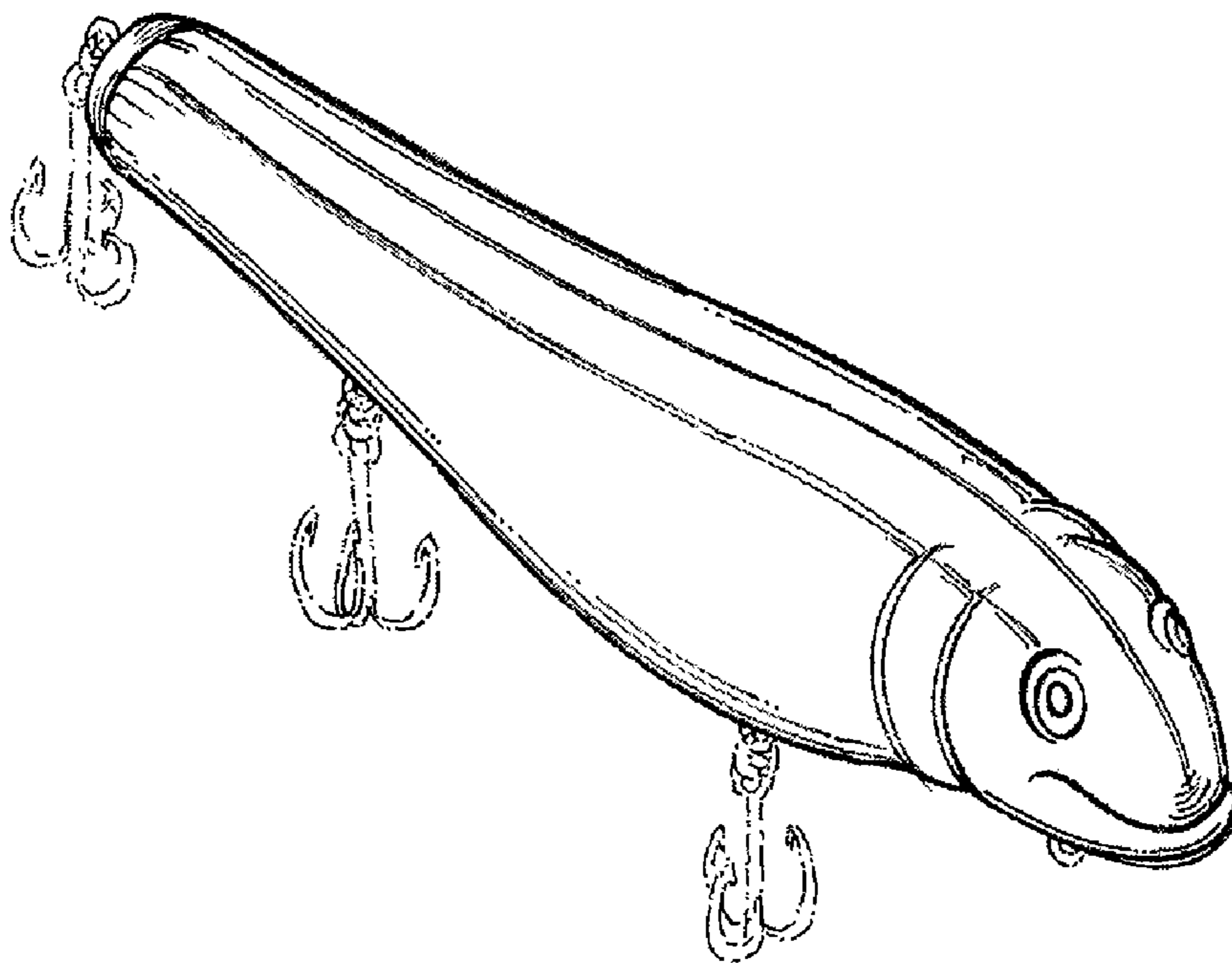


FIGURE 2

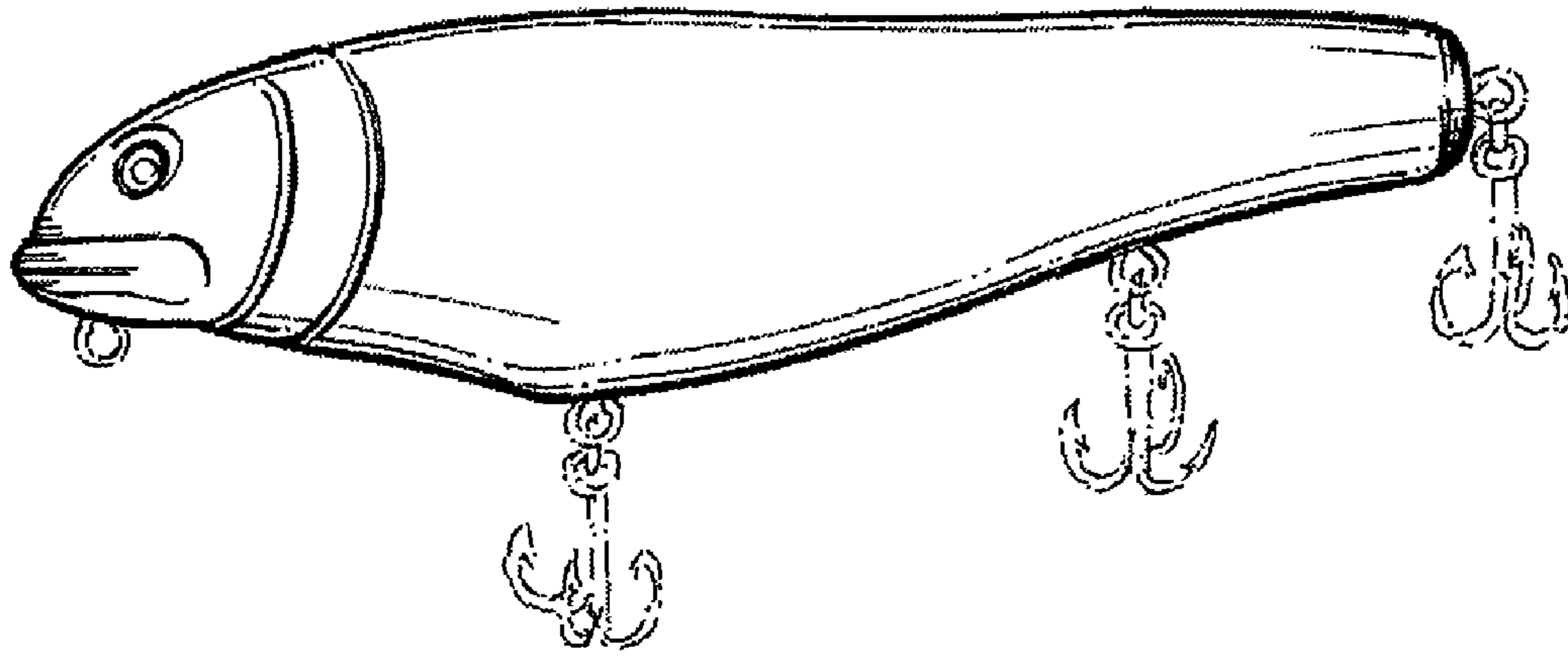


FIGURE 3

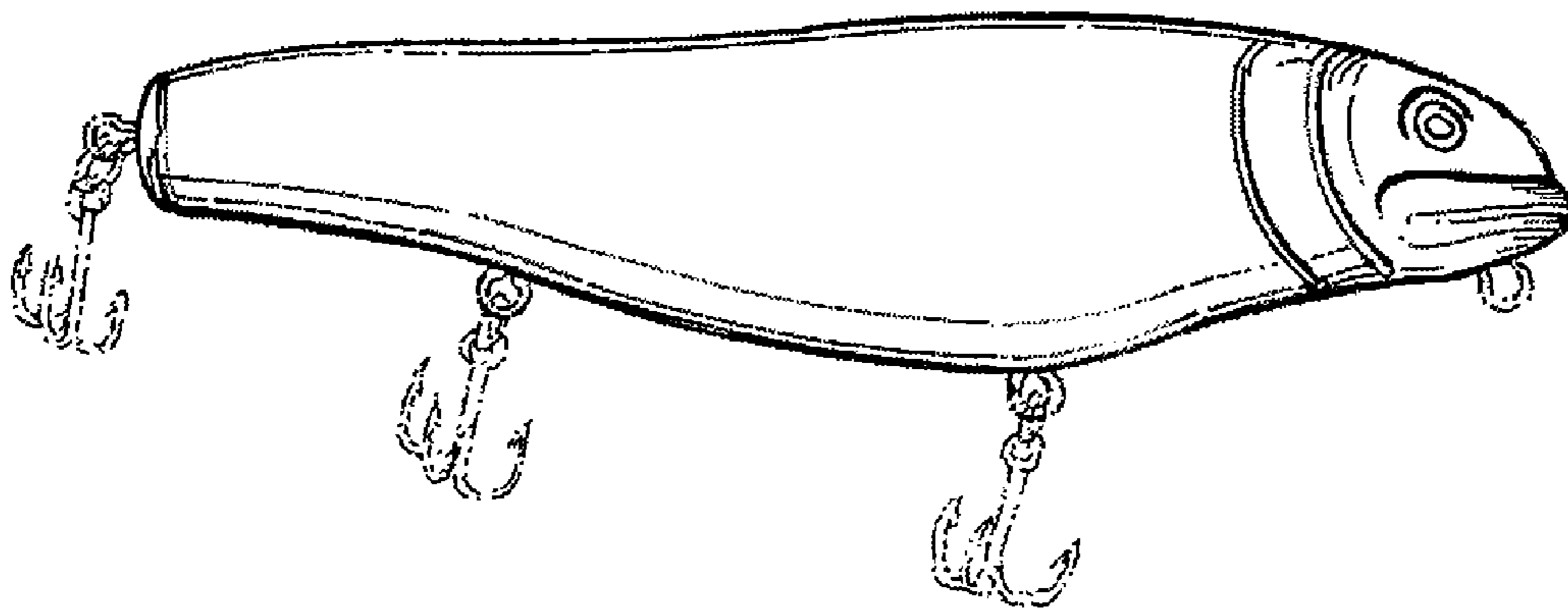


FIGURE 4

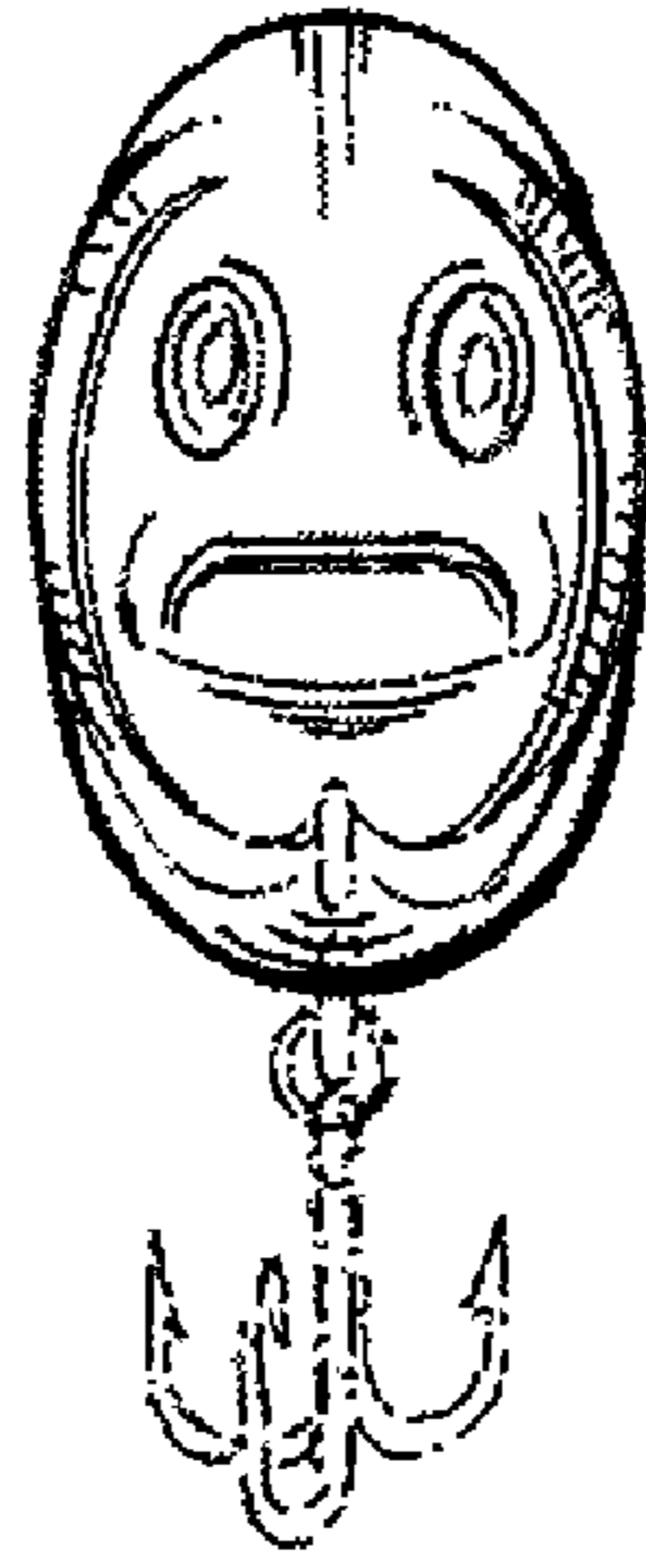


FIGURE 5

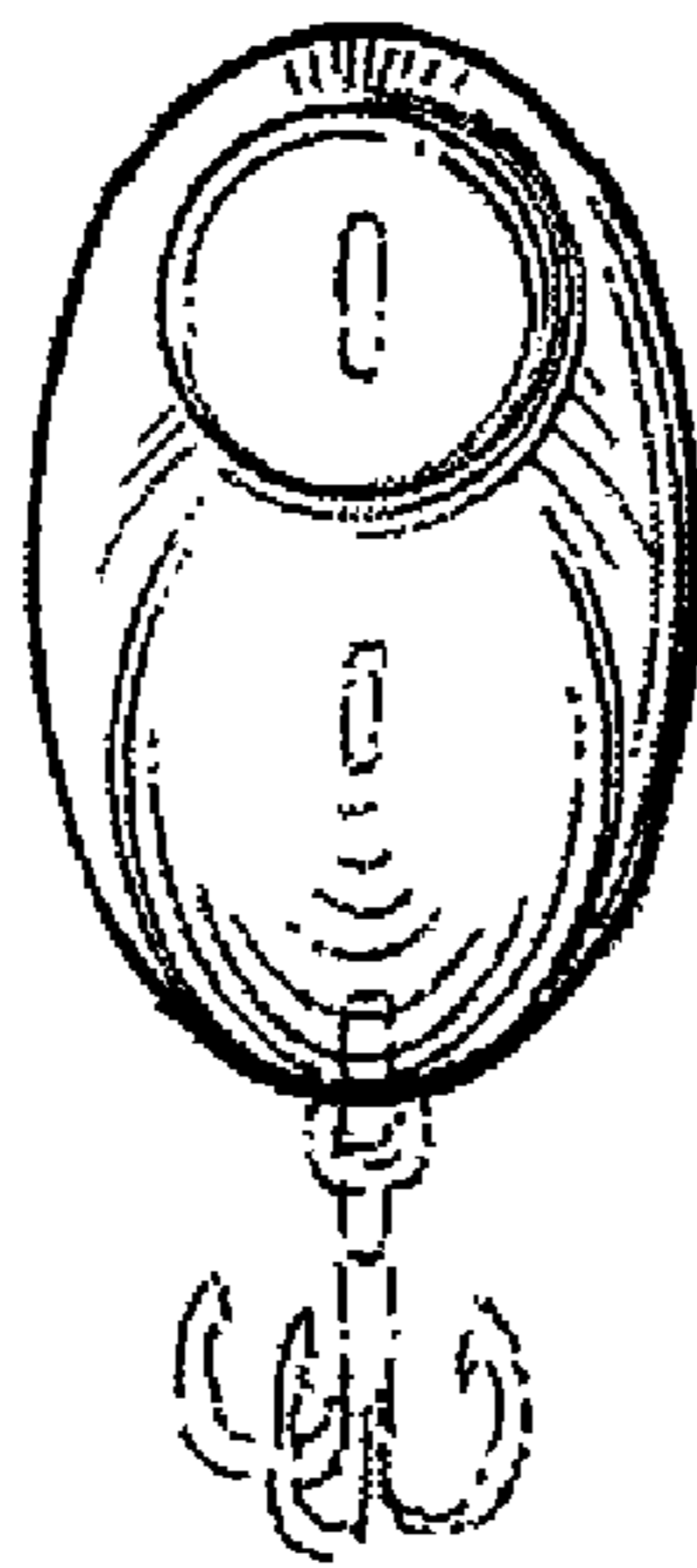


FIGURE 6

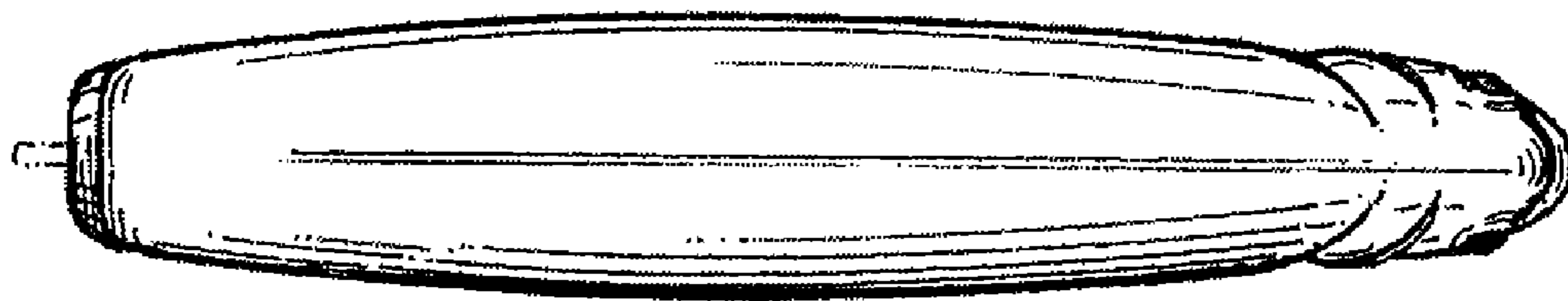


FIGURE 7

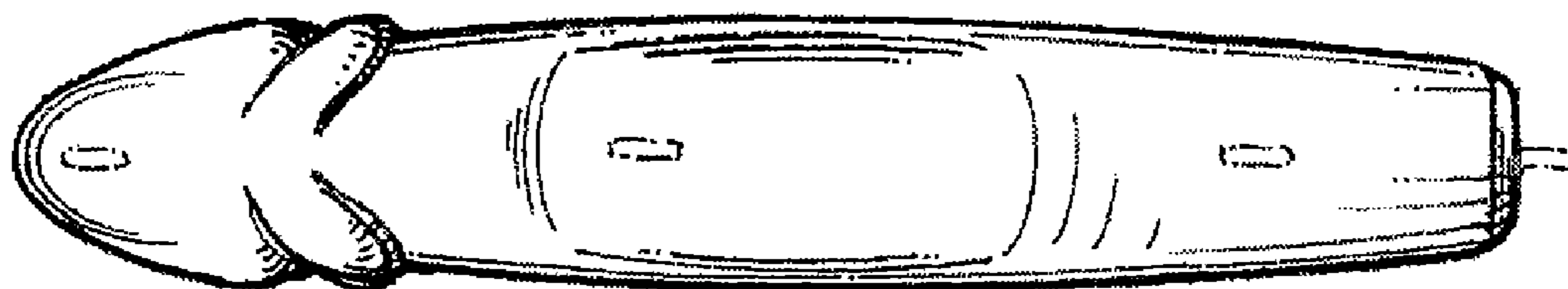


FIGURE 8