

US00D561864S

(12) **United States Design Patent**
Rigler

(10) **Patent No.:** **US D561,864 S**

(45) **Date of Patent:** **** Feb. 12, 2008**

(54) **FIREARM MOUNTING SPACER**

(75) Inventor: **Joseph W. Rigler**, Rolla, MO (US)

(73) Assignee: **R7BAR, LLC**, Rolla, MO (US)

(**) Term: **14 Years**

(21) Appl. No.: **29/271,641**

(22) Filed: **Jan. 24, 2007**

(51) **LOC (8) Cl.** **22-01**

(52) **U.S. Cl.** **D22/110**

(58) **Field of Classification Search** D22/100,
D22/108, 109, 10; 42/11, 113, 116, 119,
42/124, 125, 90, 127, 145, 115, 126, 128,
42/72, 106, 114, 85, 75.02, 71.01; 248/205.1,
248/201, 37.01, 37.04

See application file for complete search history.

(56) **References Cited**

U.S. PATENT DOCUMENTS

2,842,848 A * 7/1958 Friedrichsmeier 42/144

4,509,282 A * 4/1985 McMillon 42/124

5,276,988 A * 1/1994 Swan 42/127

D435,885 S * 1/2001 Wallace D22/110

D500,114 S * 12/2004 Oz D22/109

* cited by examiner

Primary Examiner—Charles A. Rademaker

Assistant Examiner—Melanie Levy

(74) *Attorney, Agent, or Firm*—Michael W. York

(57) **CLAIM**

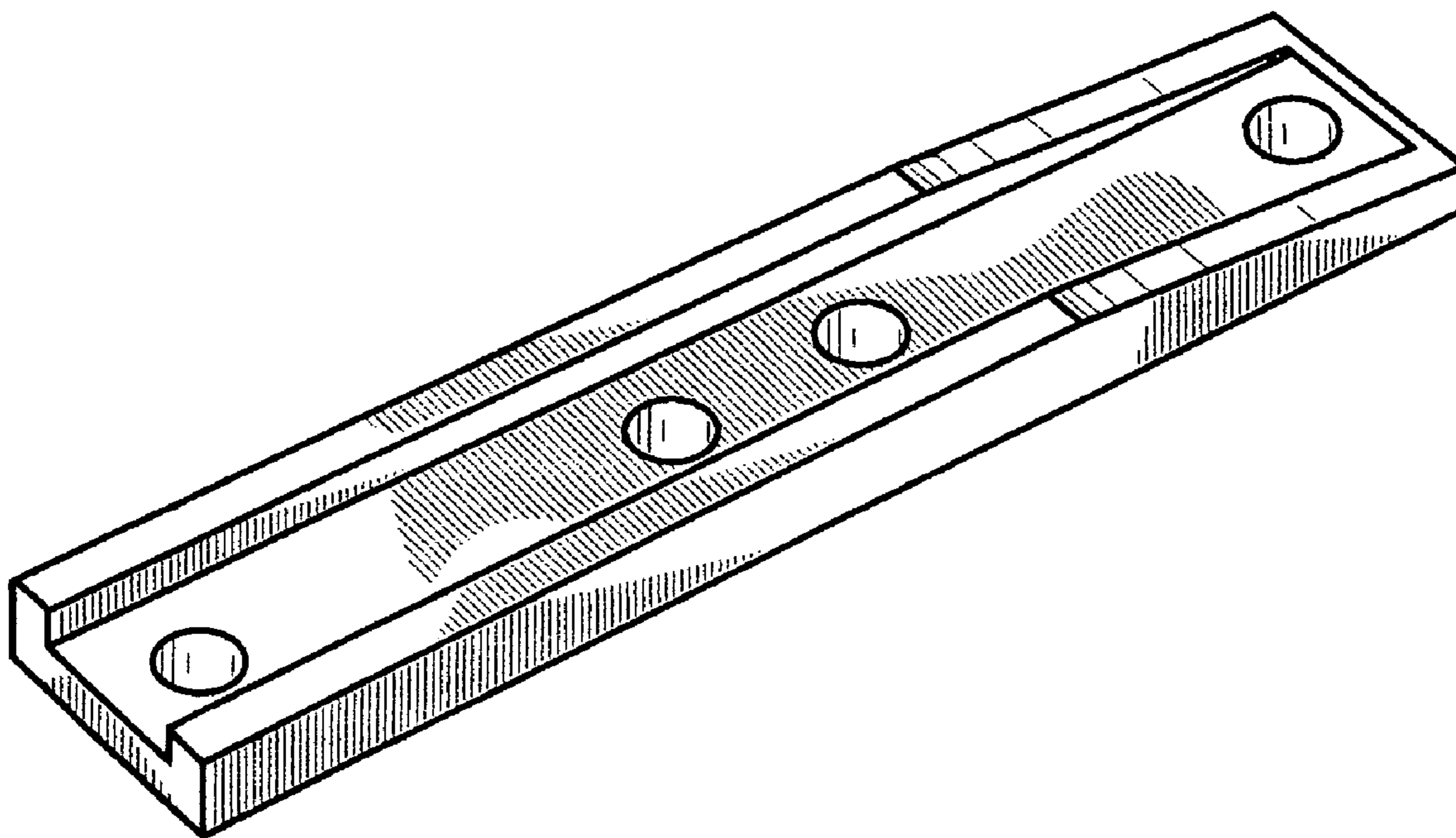
The ornamental design for a firearm mounting spacer, as shown.

DESCRIPTION

FIG. 1 is a front perspective view of a firearm mounting spacer, showing my new design; and,

FIG. 2 is a rear perspective view thereof.

1 Claim, 1 Drawing Sheet



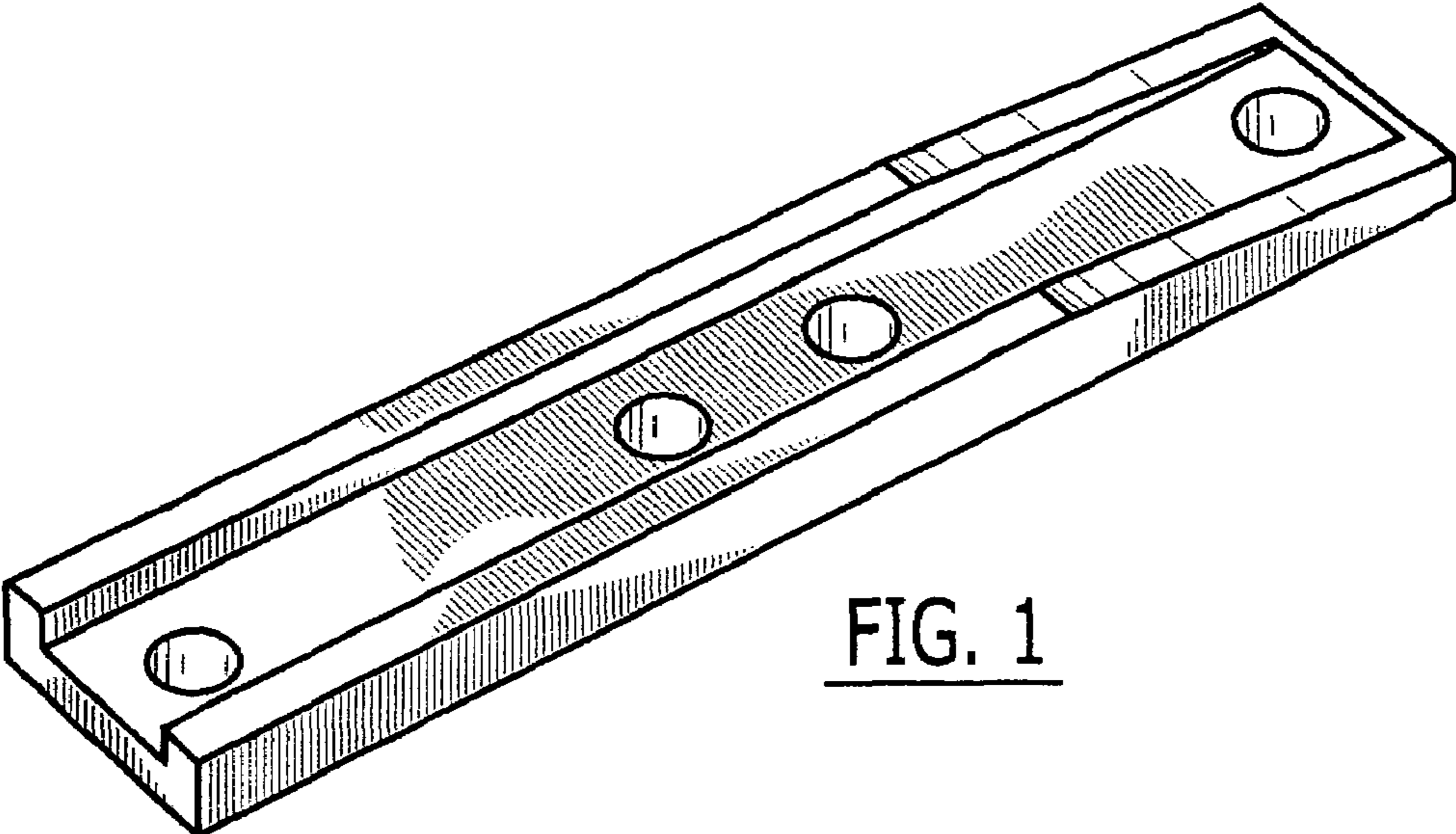


FIG. 1

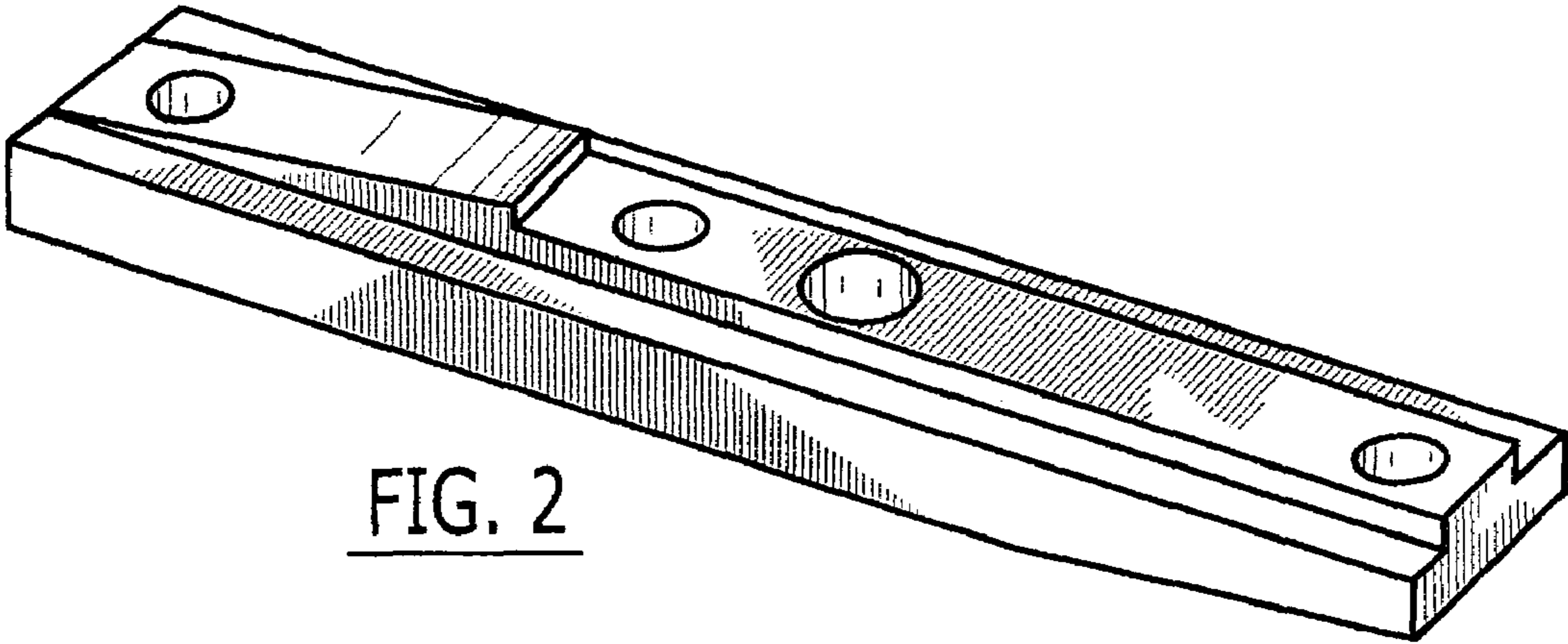


FIG. 2