



US00D561851S

(12) **United States Design Patent** (10) **Patent No.:** **US D561,851 S**  
**Proulx et al.** (45) **Date of Patent:** **\*\* Feb. 12, 2008**

(54) **ICE HOCKEY PUCK**

(75) Inventors: **Hugo Proulx**, Bettendorf, IA (US);  
**Anthony L. Fairchild**, Coal Valley, IL (US)

(73) Assignee: **Illuminative Innovations, LLC**, Coal Valley, IL (US)

(\*\*) Term: **14 Years**

(21) Appl. No.: **29/270,493**

(22) Filed: **Dec. 21, 2006**

(51) **LOC (8) Cl.** ..... **21-02**

(52) **U.S. Cl.** ..... **D21/710**

(58) **Field of Classification Search** ..... D21/710;  
D26/51, 57, 94, 104; D11/81, 157; D9/668;  
D19/97; D3/271.9; 473/446, 471, 569-571,  
473/588, 589, 594, 595; 362/253, 109, 154  
See application file for complete search history.

(56) **References Cited**

U.S. PATENT DOCUMENTS

4,183,536	A *	1/1980	Platt	.....	473/570
4,846,475	A *	7/1989	Newcomb et al.	.....	473/570
5,346,214	A *	9/1994	Bruhm	.....	473/588
D367,902	S *	3/1996	Silk	.....	D21/710
5,707,308	A *	1/1998	Liu	.....	473/588
5,839,977	A *	11/1998	Maurer et al.	.....	473/446
D402,720	S *	12/1998	Bellehumeur	.....	D21/710
D421,762	S *	3/2000	Shirley et al.	.....	D16/227
D431,114	S *	9/2000	Smith et al.	.....	D6/309
6,154,250	A *	11/2000	Honey et al.	.....	348/157

6,973,747	B2 *	12/2005	Ratmansky et al.	.....	40/327
2004/0007484	A1 *	1/2004	Donofrio, Jr.	.....	206/315.1
2005/0025907	A1 *	2/2005	Stepka	.....	428/14

FOREIGN PATENT DOCUMENTS

CA	2415980	A1 *	7/2004
DE	29603817	U1 *	7/1996

\* cited by examiner

*Primary Examiner*—Catherine Tuttle

(74) *Attorney, Agent, or Firm*—Law Office of Jay R. Hamilton, PLC

(57) **CLAIM**

We claim the ornamental design for an ice hockey puck, as shown and described.

**DESCRIPTION**

FIG. 1 is a perspective view of an ice hockey puck showing our new design;

FIG. 2 is a side elevational view thereof;

FIG. 3 is an elevational view of the opposite side of FIG. 2;

FIG. 4 is a side elevational view rotated 90 degrees from FIG. 2;

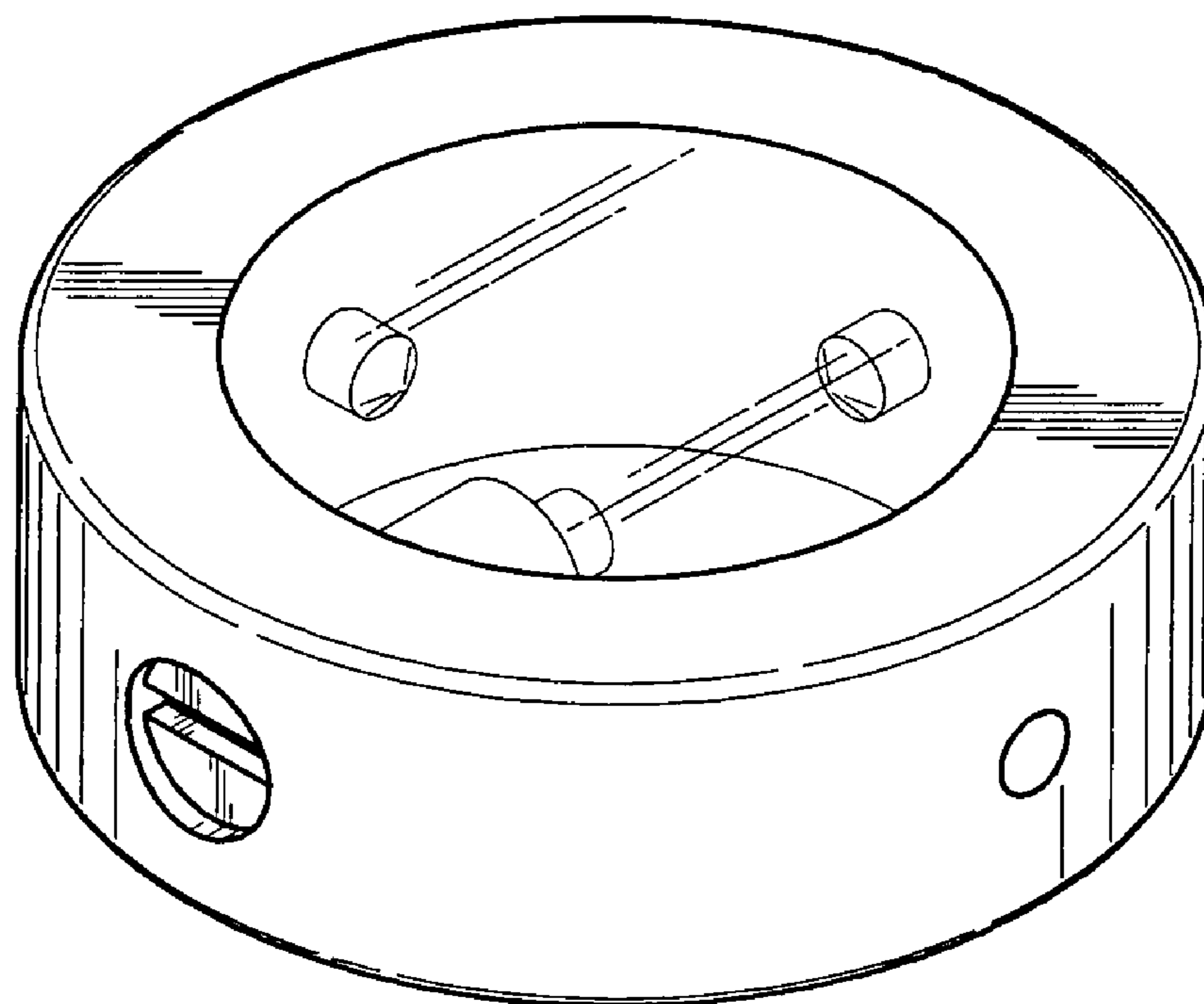
FIG. 5 is an elevational view of the opposite side of FIG. 4;

FIG. 6 is a top plan view thereof; and,

FIG. 7 is a bottom plan view thereof.

The appearance within the unshaded areas defined by the circles shown in FIGS. 1, 3, 4, and 5 forms no part of the claimed design.

**1 Claim, 4 Drawing Sheets**



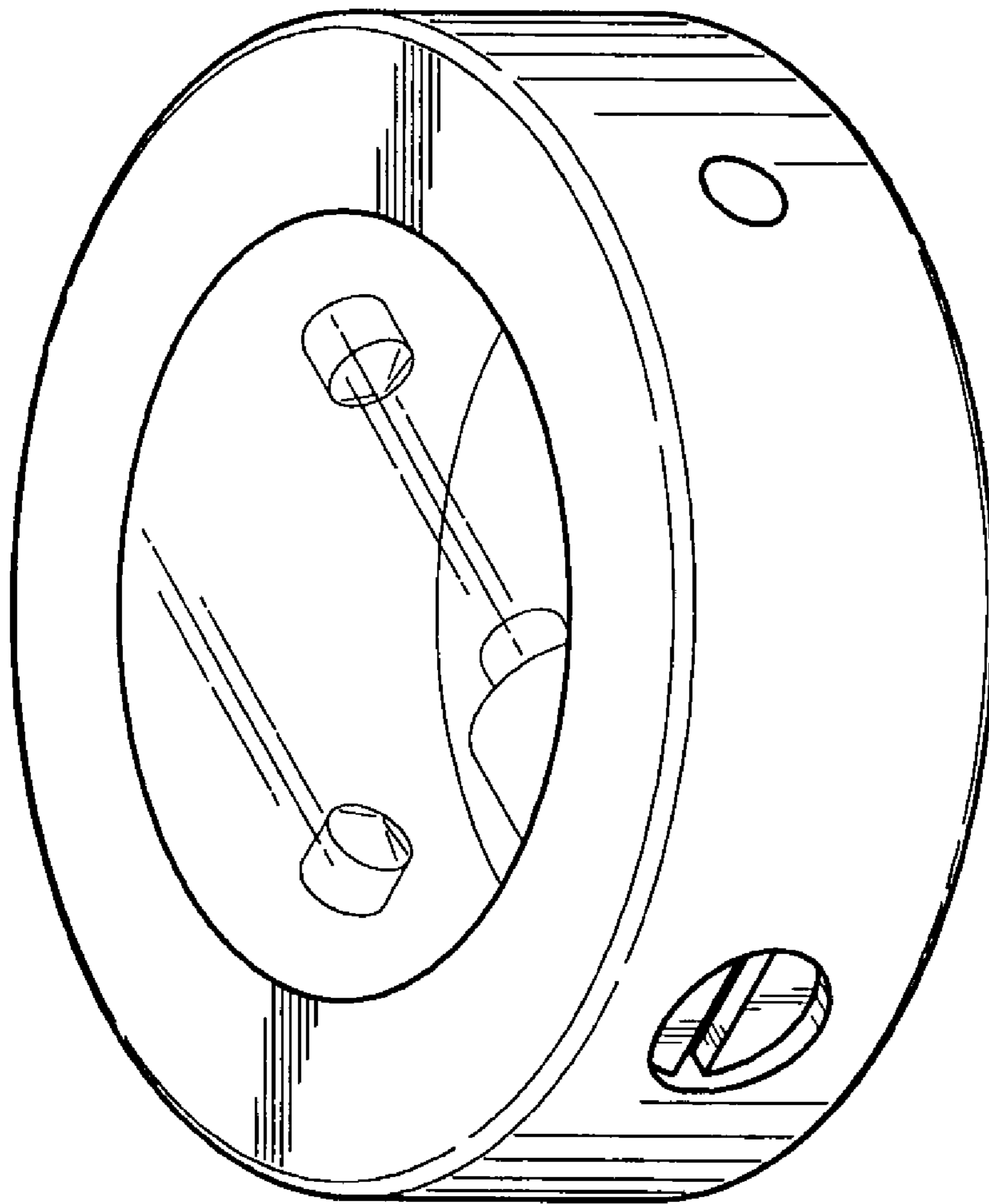


FIG. 1

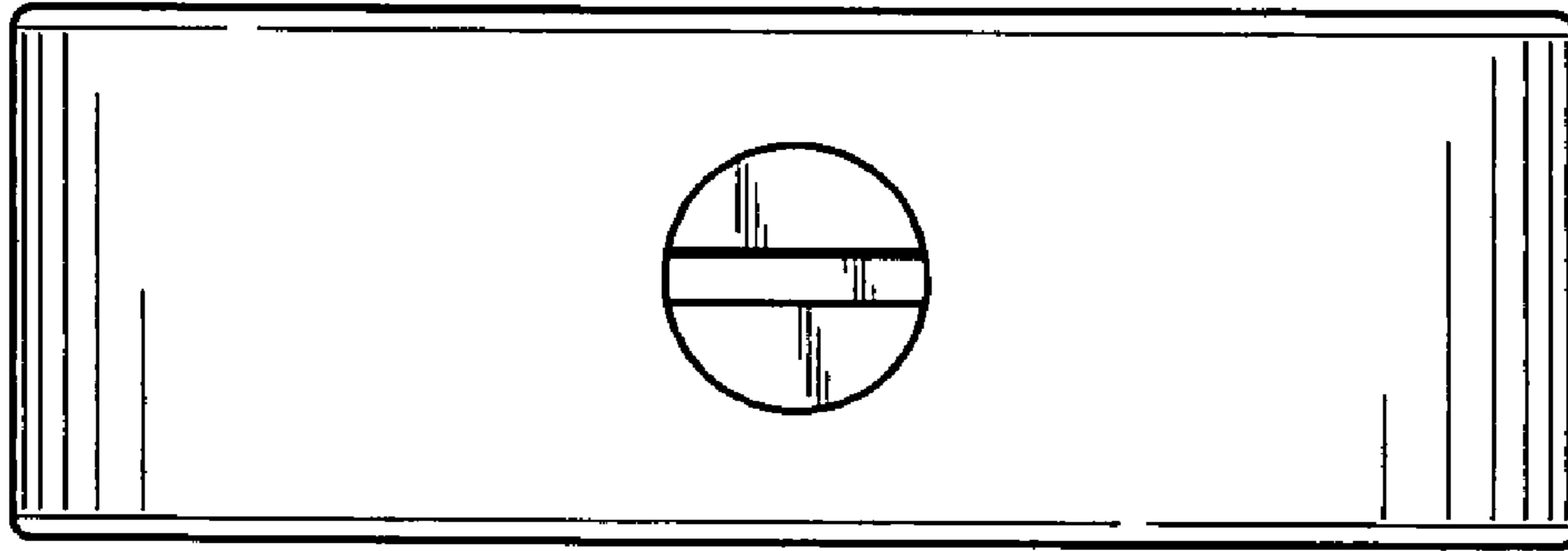


FIG. 2

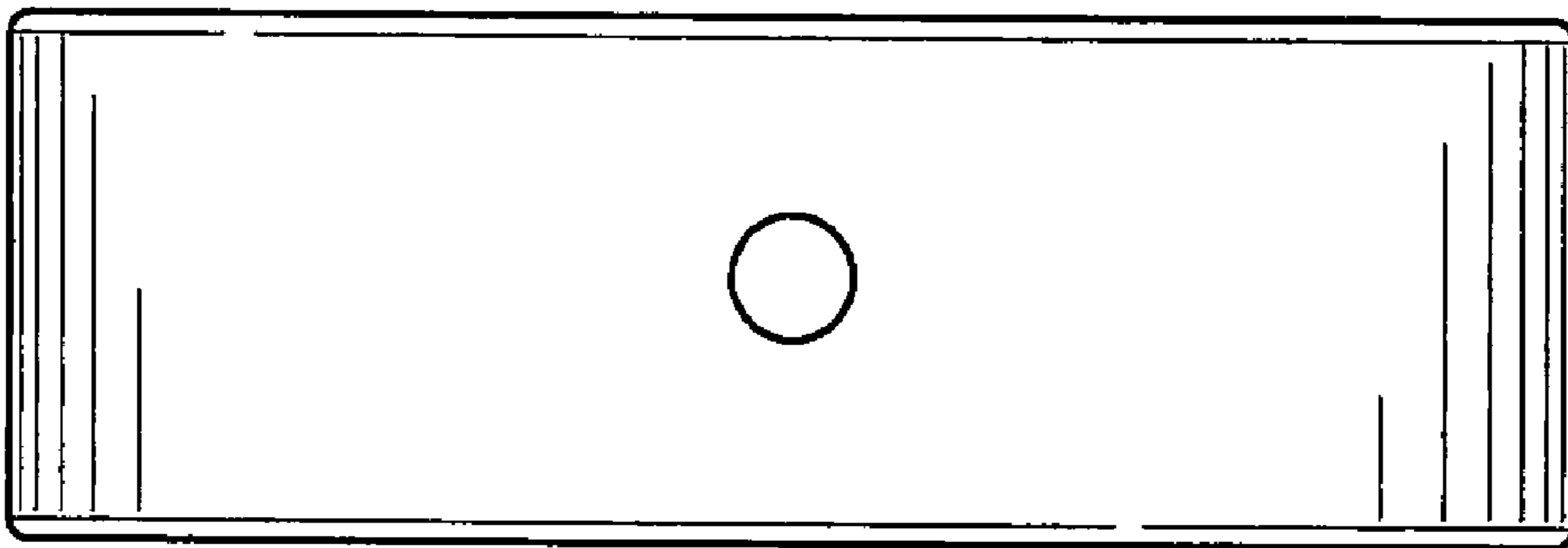


FIG. 3

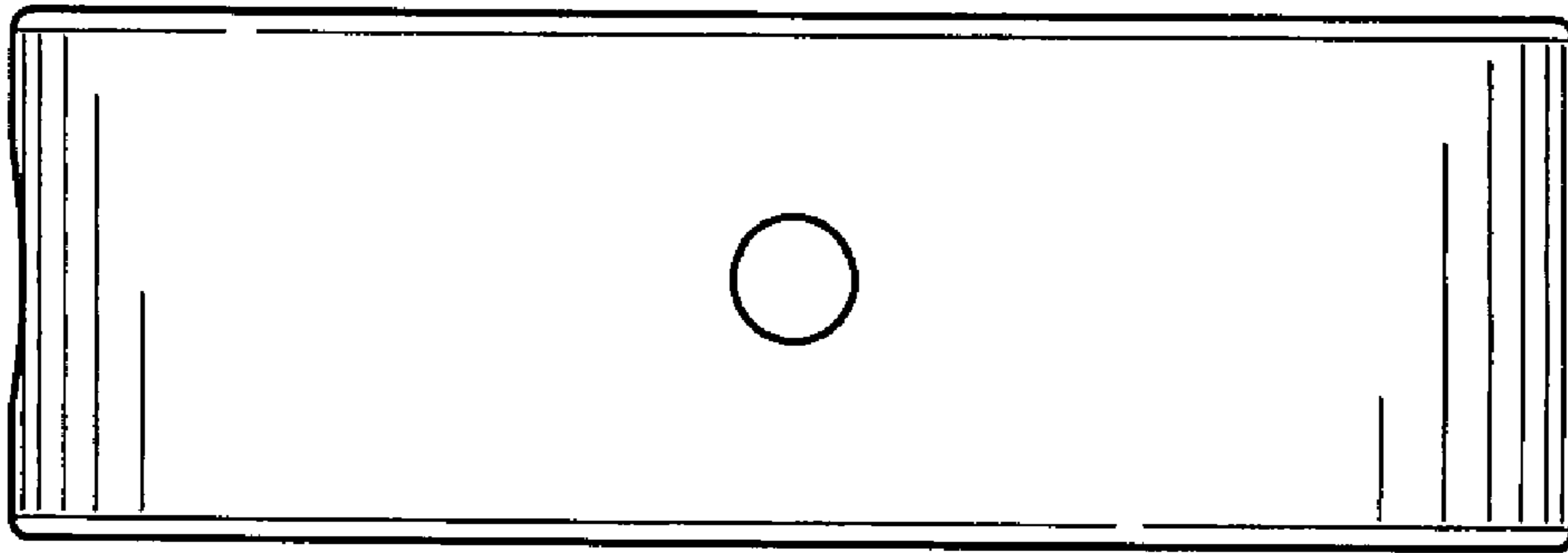


FIG. 4

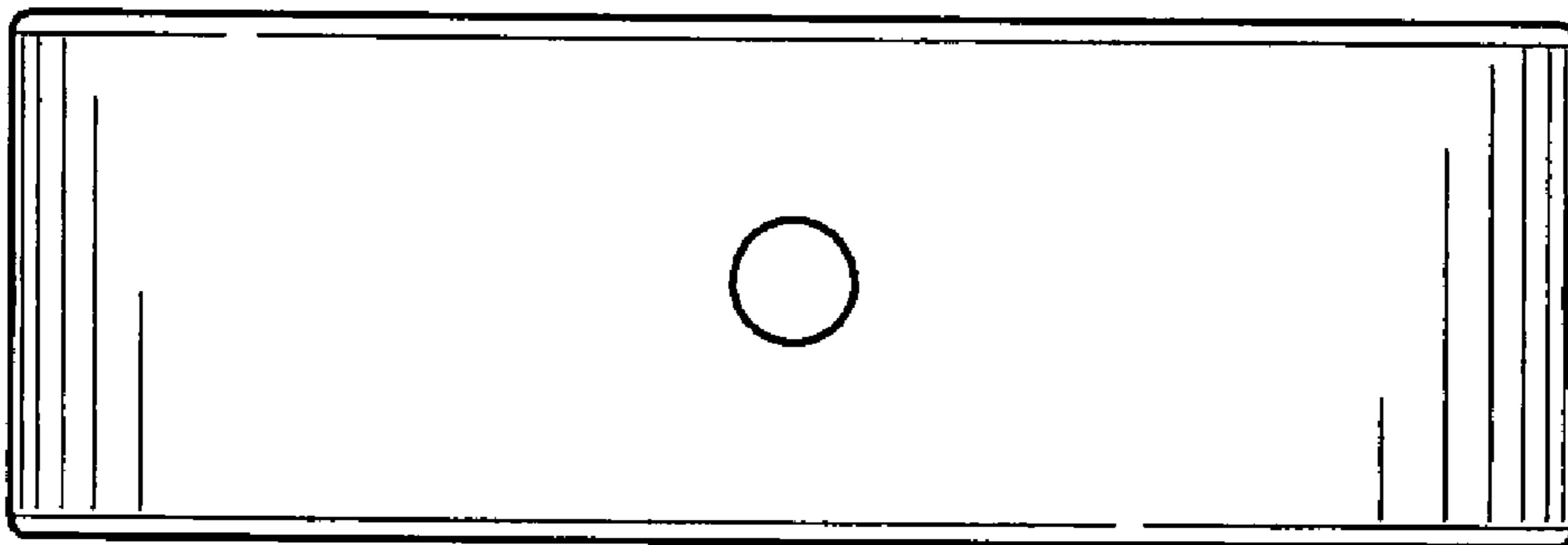


FIG. 5

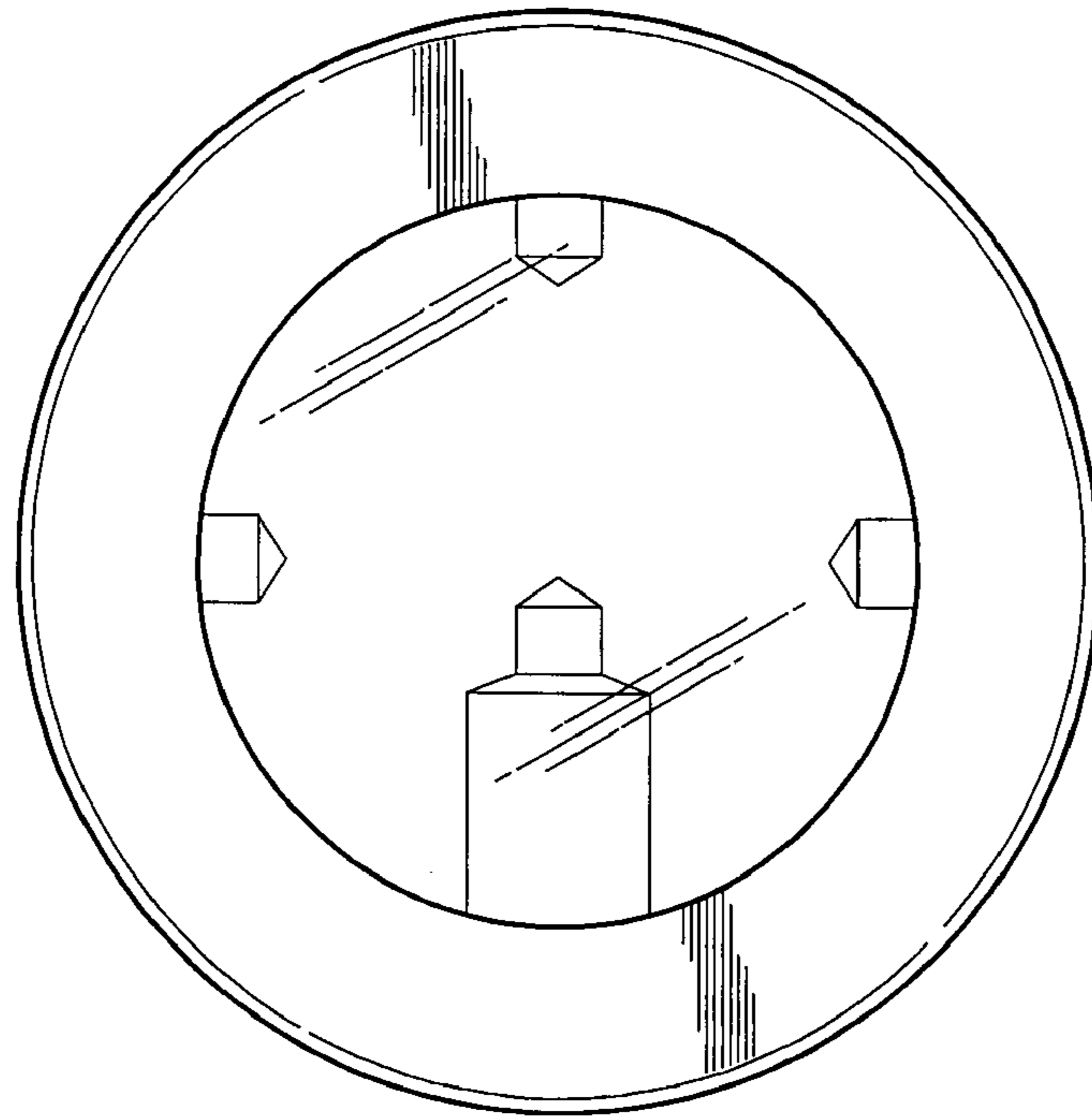


FIG. 6

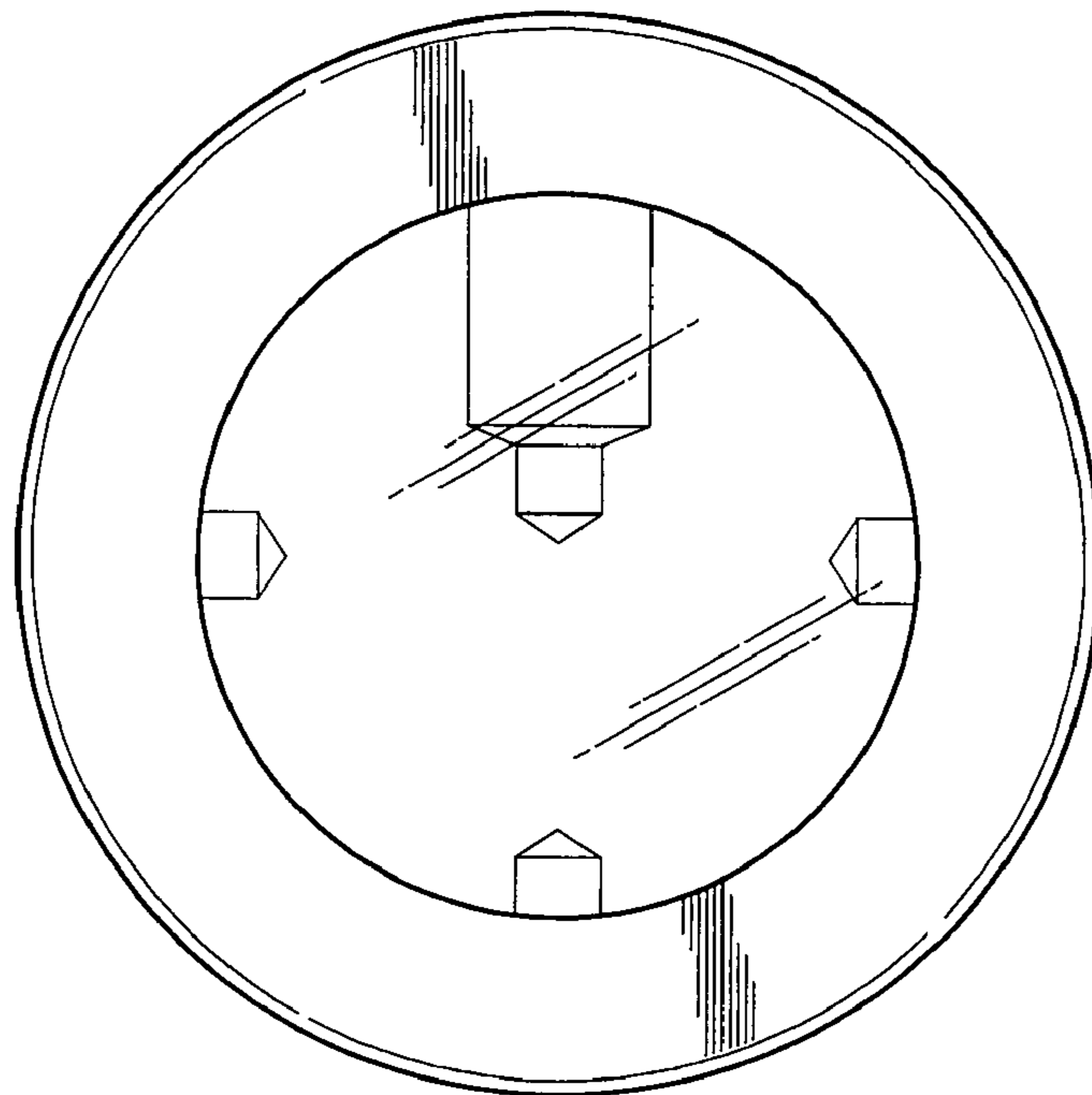


FIG. 7