



US00D561849S

(12) **United States Design Patent**  
**Piaget et al.**

(10) **Patent No.:** **US D561,849 S**

(45) **Date of Patent:** **\*\* Feb. 12, 2008**

(54) **EXERCISE DEVICE**

(75) Inventors: **Gary D. Piaget**, 141 Deep Meadow  
La., East Sound, WA (US) 98245;  
**Herbert Walter Bentz**, Surry, CA (US)

(73) Assignee: **Gary D. Piaget**, Deer Harbor, WA (US)

(\*\*) Term: **14 Years**

(21) Appl. No.: **29/247,128**

(22) Filed: **Jun. 1, 2006**

(51) **LOC (8) Cl.** ..... **21-02**

(52) **U.S. Cl.** ..... **D21/670**

(58) **Field of Classification Search** ..... D21/663,  
D21/668, 669, 670; 482/51, 52, 53, 54, 57,  
482/70, 79

See application file for complete search history.

(56) **References Cited**

**U.S. PATENT DOCUMENTS**

2,206,902 A	7/1940	Kost	
3,821,951 A	7/1974	Giles	
3,917,262 A	11/1975	Salkeld	
4,204,675 A	5/1980	McGinnis	
4,279,415 A	7/1981	Katz	
4,405,129 A	9/1983	Stuckey	
4,635,931 A	1/1987	Brannstam	
4,673,180 A	6/1987	Rice	
4,676,501 A	6/1987	Hoagland	
4,787,630 A	11/1988	Watson et al.	
4,989,858 A	2/1991	Young et al.	
5,230,674 A *	7/1993	Terauds	482/52
5,267,923 A	12/1993	Piaget et al.	
5,304,105 A *	4/1994	Hsieh	482/53

D348,708 S *	7/1994	Chen	D21/670
D397,746 S *	9/1998	Drach et al.	D21/668
6,315,697 B1 *	11/2001	Chen	482/53
D456,052 S *	4/2002	Steves	D21/670
D461,211 S *	8/2002	Kuo	D21/670
D466,567 S *	12/2002	Chen et al.	D21/670
D481,085 S *	10/2003	Ben-Moshe	D21/670
D496,700 S *	9/2004	Chen	D21/670
6,830,539 B2 *	12/2004	Chuang	482/53
D514,635 S *	2/2006	Hsiao	D21/670

\* cited by examiner

*Primary Examiner*—Philip S. Hyder

(74) *Attorney, Agent, or Firm*—Barlow, Josephs & Holmes,  
Ltd.

(57) **CLAIM**

The ornamental design for an exercise device, as shown and described.

**DESCRIPTION**

FIG. 1 is a perspective view of the exercise device of the present invention;

FIG. 2 is a rear view thereof;

FIG. 3 is a front view thereof;

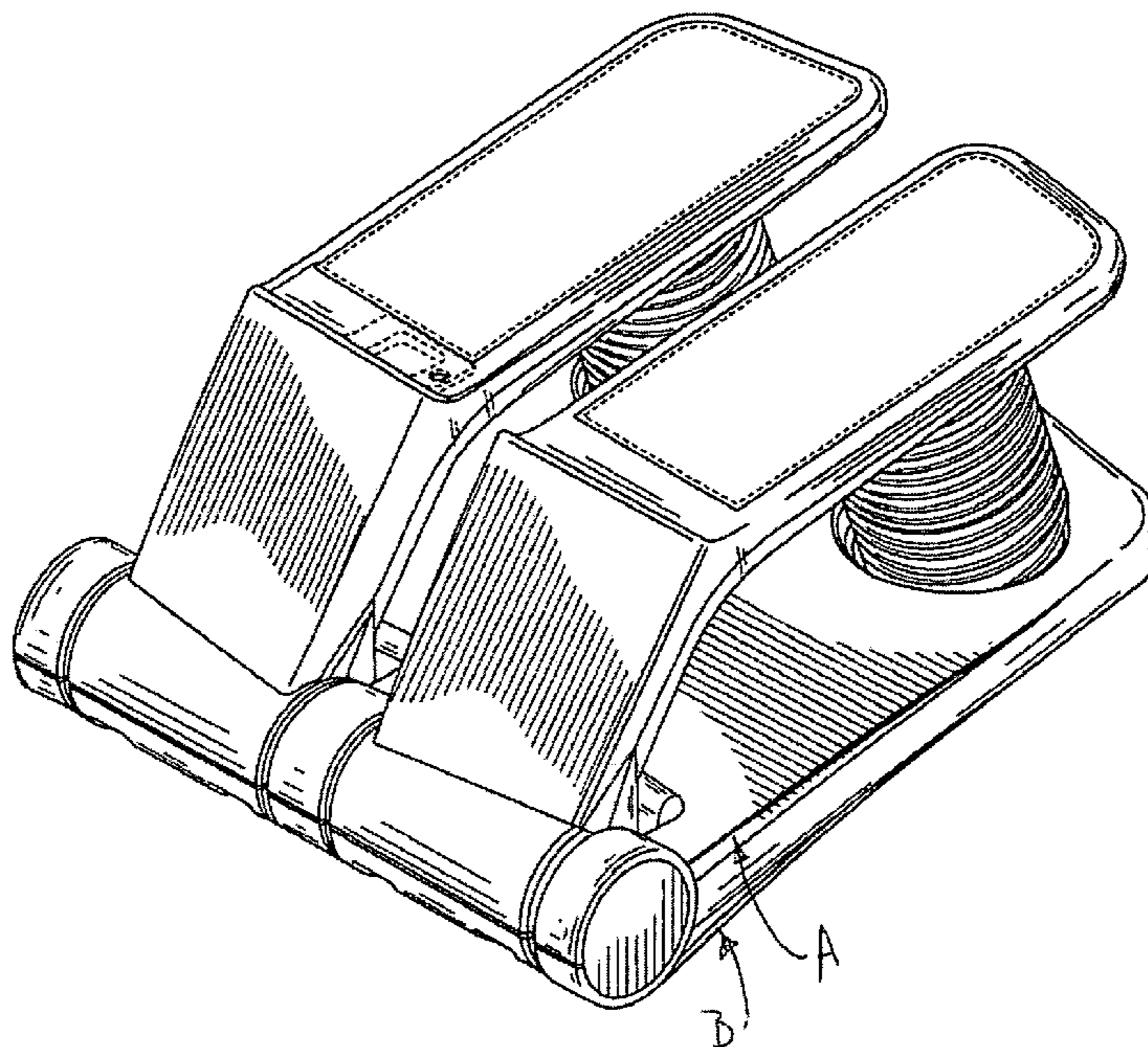
FIG. 4 is a top view thereof;

FIG. 5 is a left side view thereof; and,

FIG. 6 is a right side view thereof.

The tread pattern and LCD screen are shown in broken line for illustrative purposes only and form no part of the claimed design.

**1 Claim, 6 Drawing Sheets**



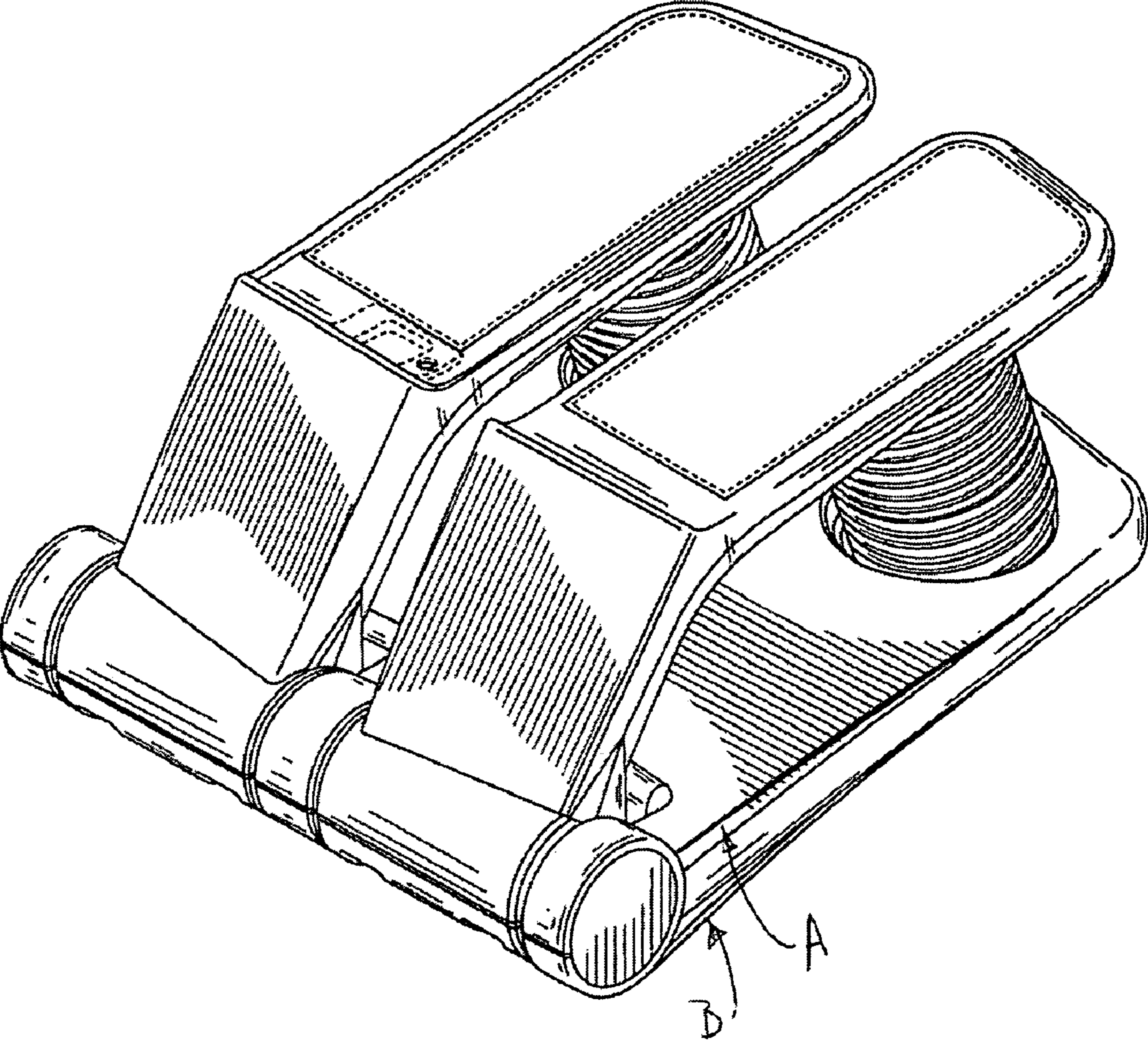


FIG. 1



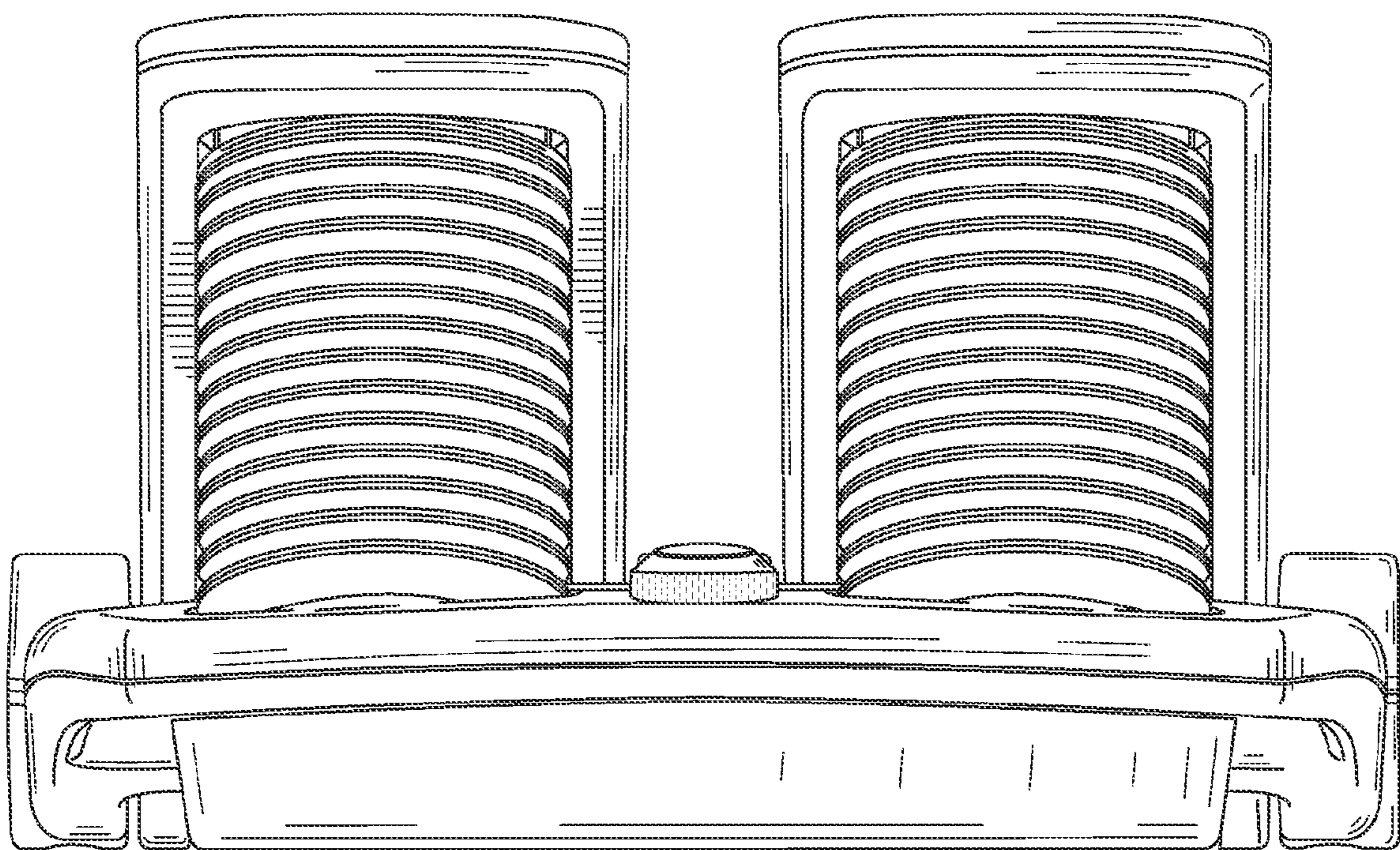


FIG. 2

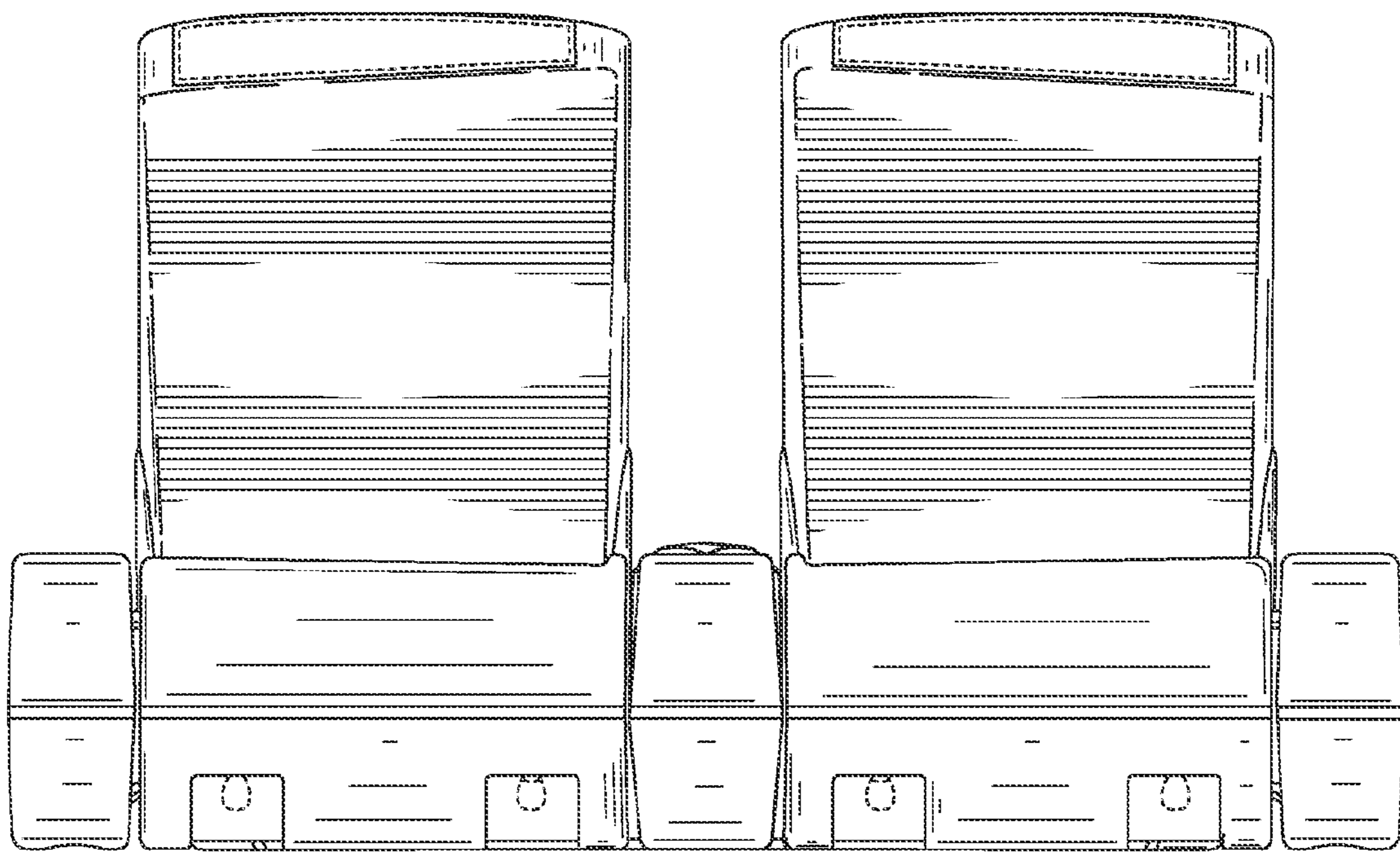
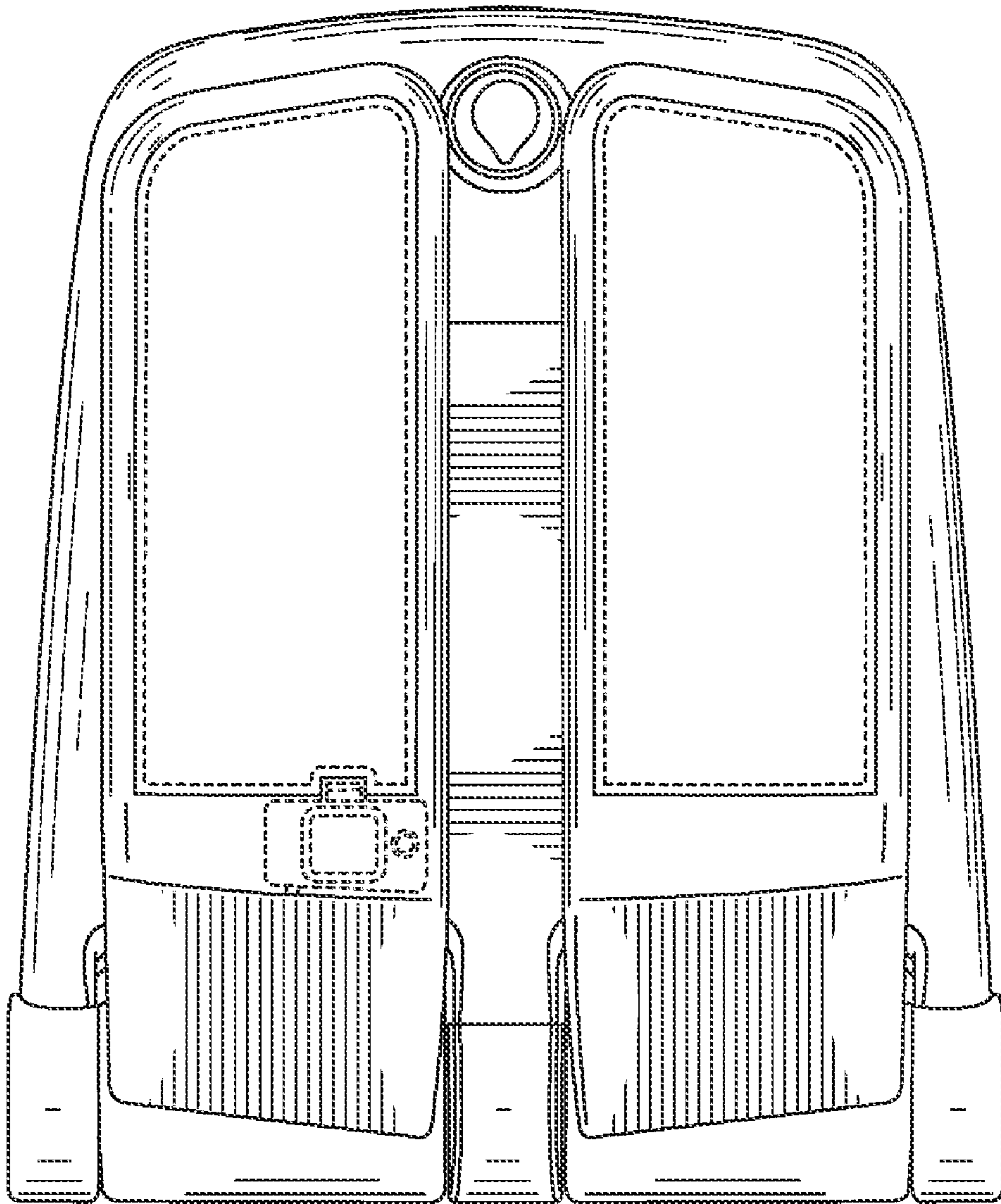


FIG. 3



**FIG. 4**



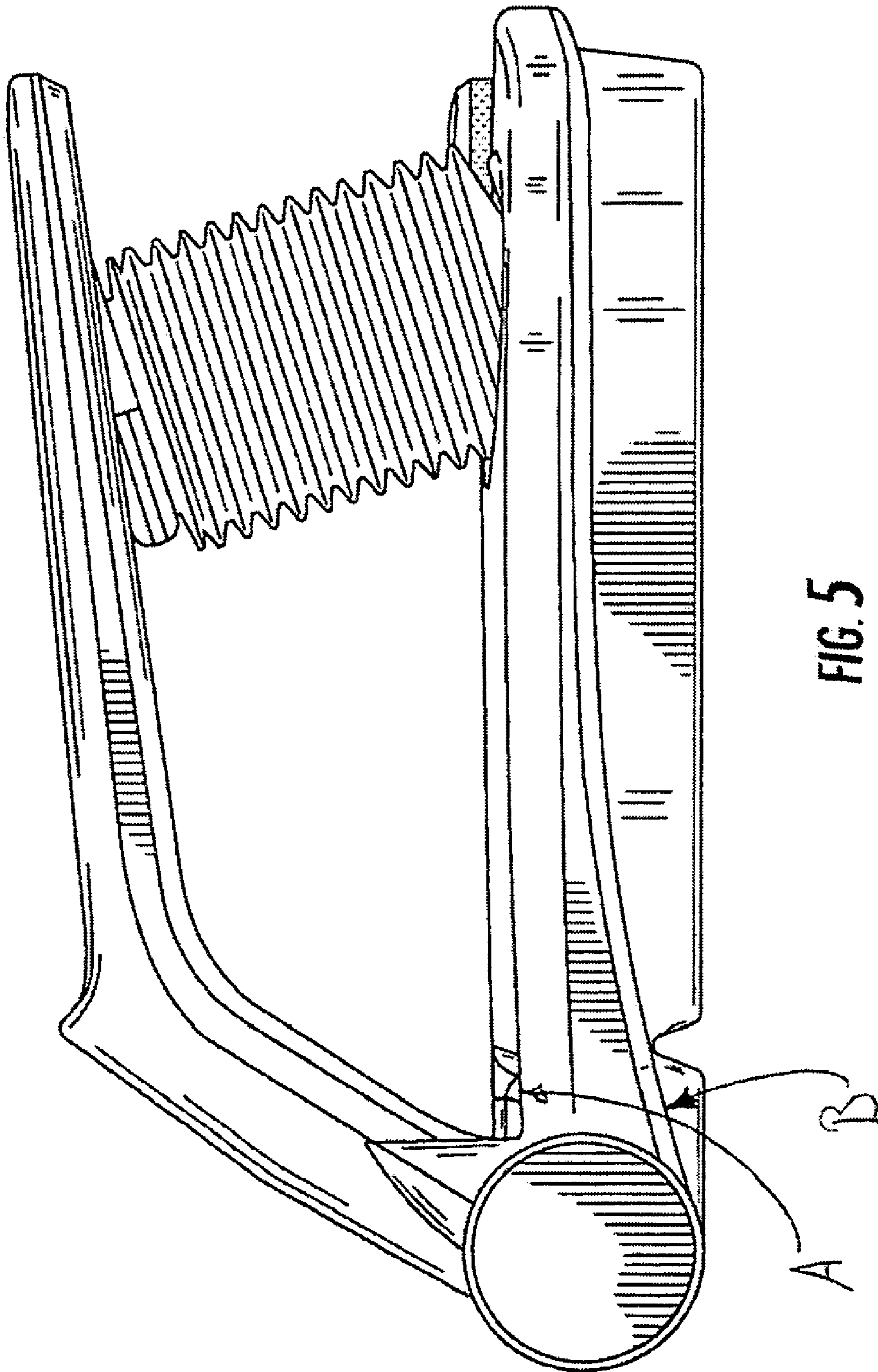


FIG. 5

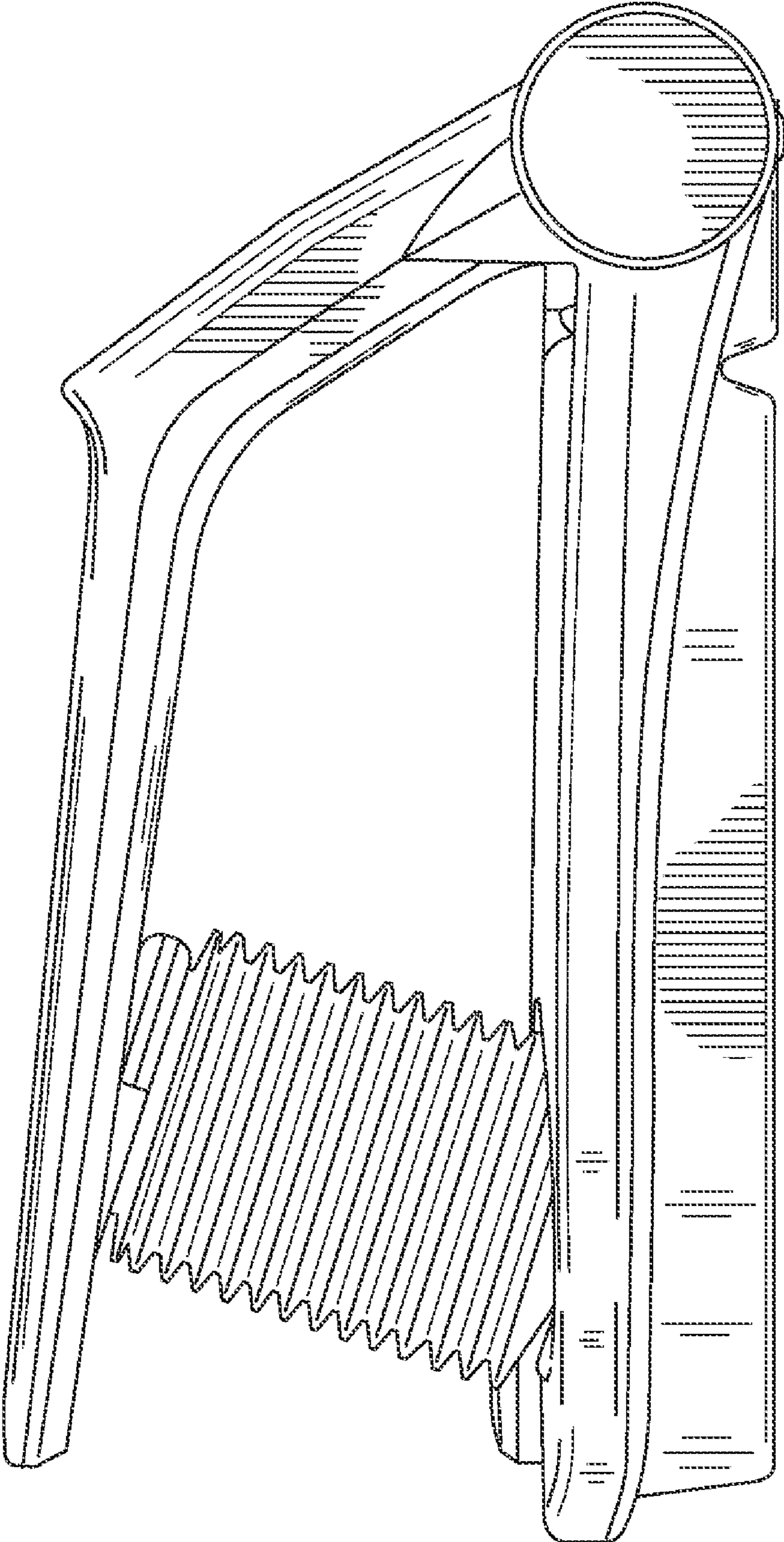


FIG. 6