

US00D561847S

(12) **United States Design Patent**
Glickman et al.

(10) **Patent No.:** **US D561,847 S**

(45) **Date of Patent:** **** Feb. 12, 2008**

(54) **CONSTRUCTION TOY COMPONENT**

D398,497 S * 9/1998 Gomas D21/501

(75) Inventors: **Joel Glickman**, Jupiter, FL (US);
Matthias F. W. Doepner, Harleysville,
PA (US)

* cited by examiner

Primary Examiner—Holly H. Baynham

Assistant Examiner—Cynthia M. Chin

(73) Assignee: **K'NEX Limited Partnership Group**,
Hatfield, PA (US)

(74) *Attorney, Agent, or Firm*—Schweitzer Cornman Gross
& Bondell LLP

(**) Term: **14 Years**

(57) **CLAIM**

(21) Appl. No.: **29/278,871**

The ornamental design for a construction toy component, as
shown and described.

(22) Filed: **Apr. 12, 2007**

DESCRIPTION

(51) **LOC (8) Cl.** **21-01**

FIG. 1 is a top perspective view of a construction toy
component;

(52) **U.S. Cl.** **D21/500**

FIG. 2 is a top plan view of the construction toy component
of FIG. 1;

(58) **Field of Classification Search** D21/484–505;
D25/113–118; 273/153, 156; 446/69, 85,
446/102–128; 434/259

FIG. 3 is a side elevation view of the construction toy
component of FIG. 1, the other side being identical; and,

See application file for complete search history.

FIG. 4 is an end elevation view of the construction toy
component of FIG. 1, the other end being identical.

The bottom forms no part of the claimed design.

(56) **References Cited**

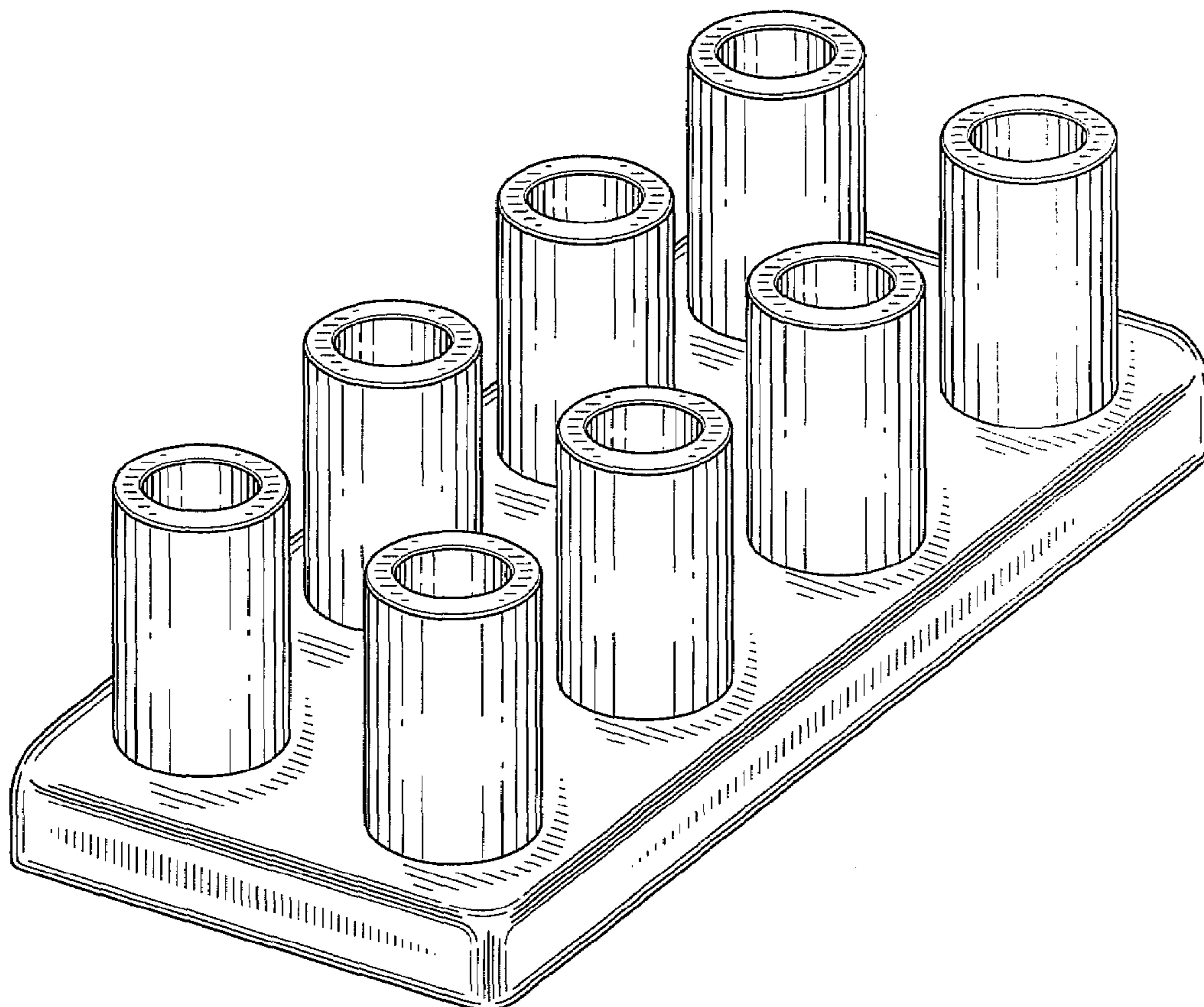
U.S. PATENT DOCUMENTS

D285,813 S * 9/1986 Takahashi D21/501

D297,954 S * 10/1988 Bertrand D21/486

D378,838 S * 4/1997 Olsen et al. D21/486

1 Claim, 2 Drawing Sheets



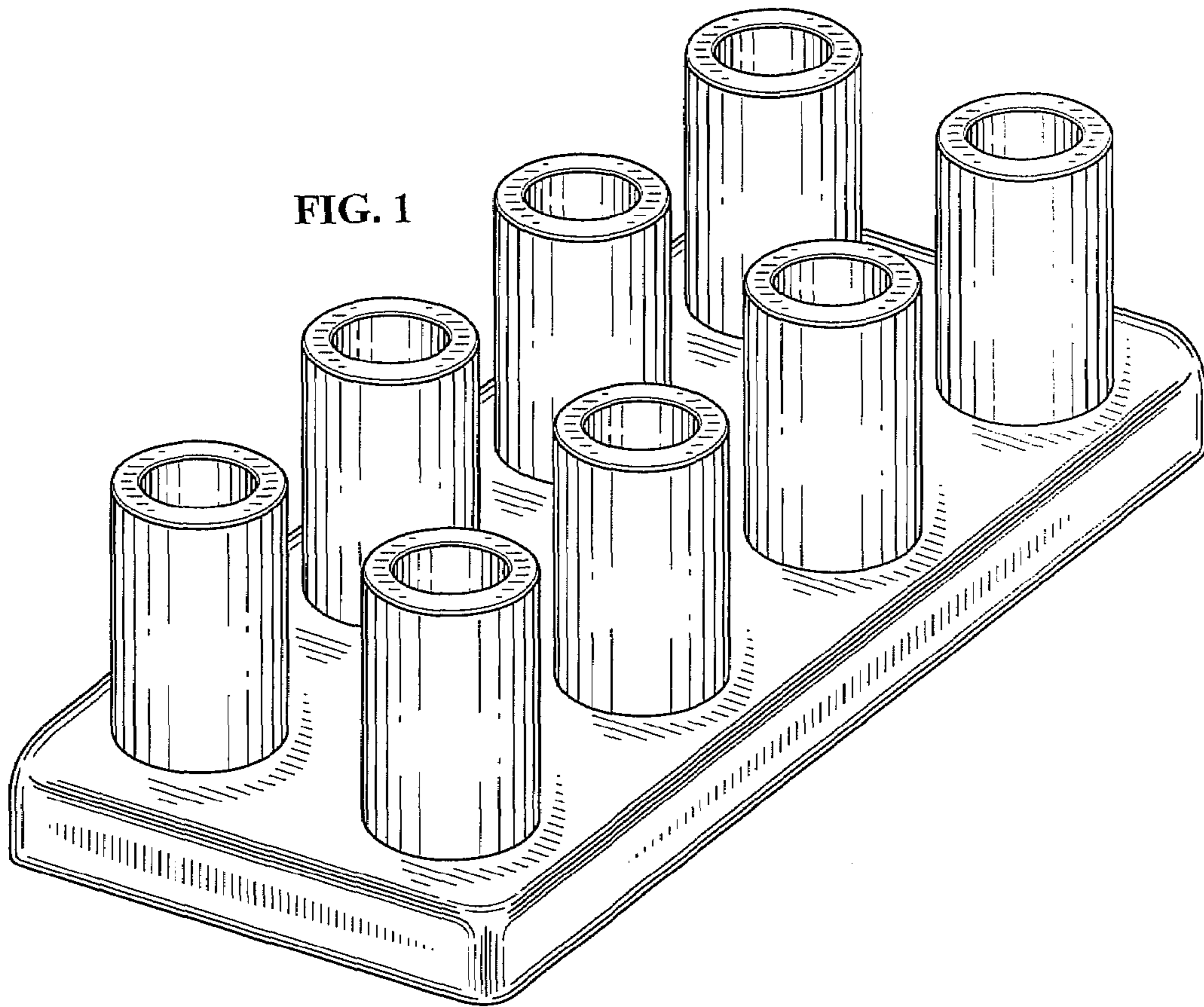


FIG. 2

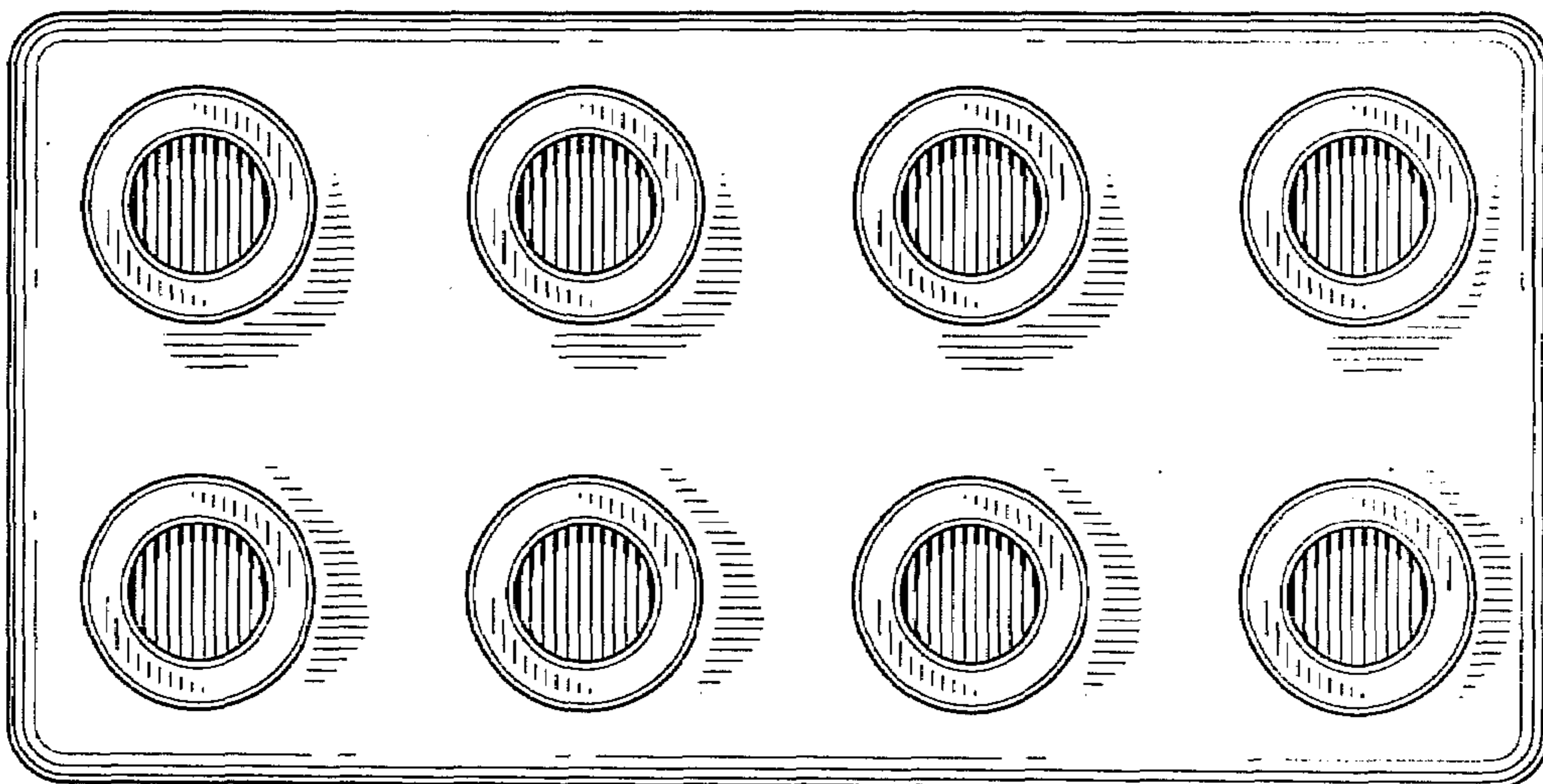


FIG. 3

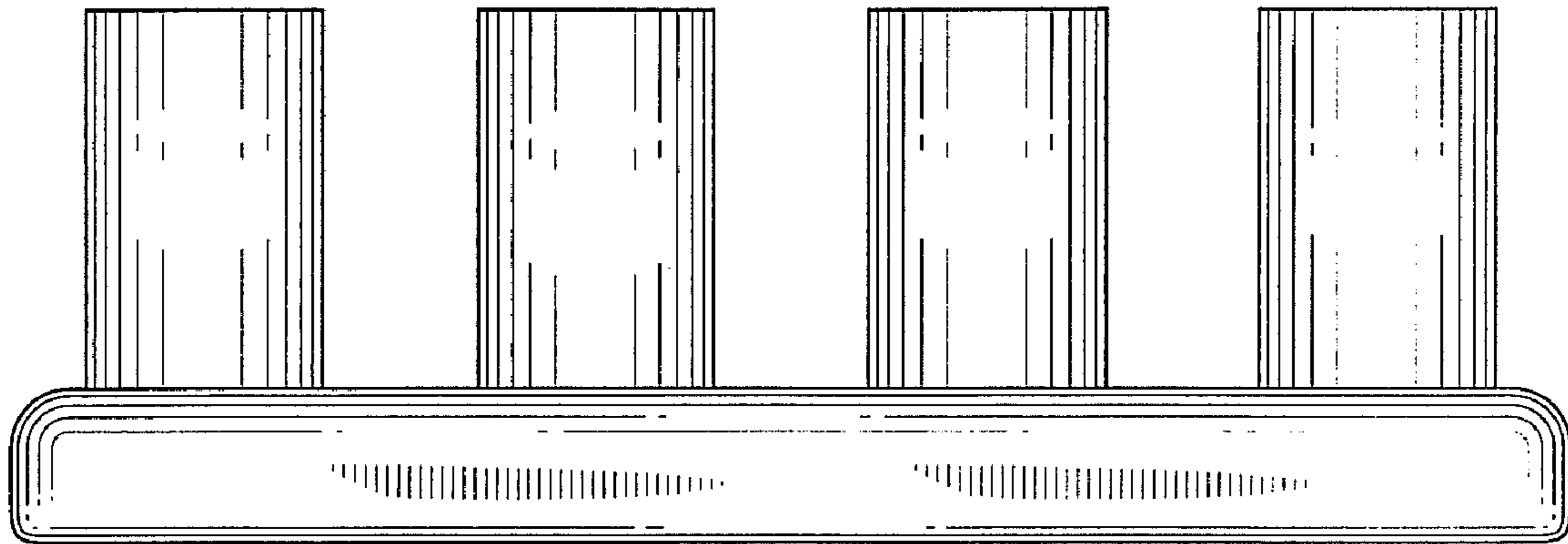


FIG. 4

