



US00D561845S

(12) **United States Design Patent**
Glickman et al.

(10) **Patent No.:** **US D561,845 S**
(45) **Date of Patent:** **** Feb. 12, 2008**

(54) **CONSTRUCTION TOY COMPONENT**

(75) Inventors: **Joel Glickman**, Jupiter, FL (US);
Matthias F. W. Doepner, Harleysville, PA (US)

(73) Assignee: **K'NEX Limited Partnership Group**, Hatfield, PA (US)

(**) Term: **14 Years**

(21) Appl. No.: **29/278,870**

(22) Filed: **Apr. 12, 2007**

(51) **LOC (8) Cl.** **21-01**

(52) **U.S. Cl.** **D21/492**

(58) **Field of Classification Search** D21/484-505;
D25/113-118; 273/153, 156; 446/69, 85,
446/102-128; 434/259

See application file for complete search history.

(56) **References Cited**

U.S. PATENT DOCUMENTS

D246,927 S *	1/1978	Christiansen	D21/486
D295,541 S *	5/1988	Knudsen	D21/484
D304,470 S *	11/1989	Knudsen	D21/492
D317,634 S *	6/1991	Larsen et al.	D21/492
D325,056 S *	3/1992	Pagel	D21/486

* cited by examiner

Primary Examiner—Holly H. Baynham

Assistant Examiner—Cynthia M. Chin

(74) *Attorney, Agent, or Firm*—Schweitzer Cornman Gross & Bondell LLP

(57) **CLAIM**

The ornamental design for a construction toy component, as shown and described.

DESCRIPTION

FIG. 1 is a top perspective view of a construction toy component;

FIG. 2 is a top plan view of the construction toy component of FIG. 1;

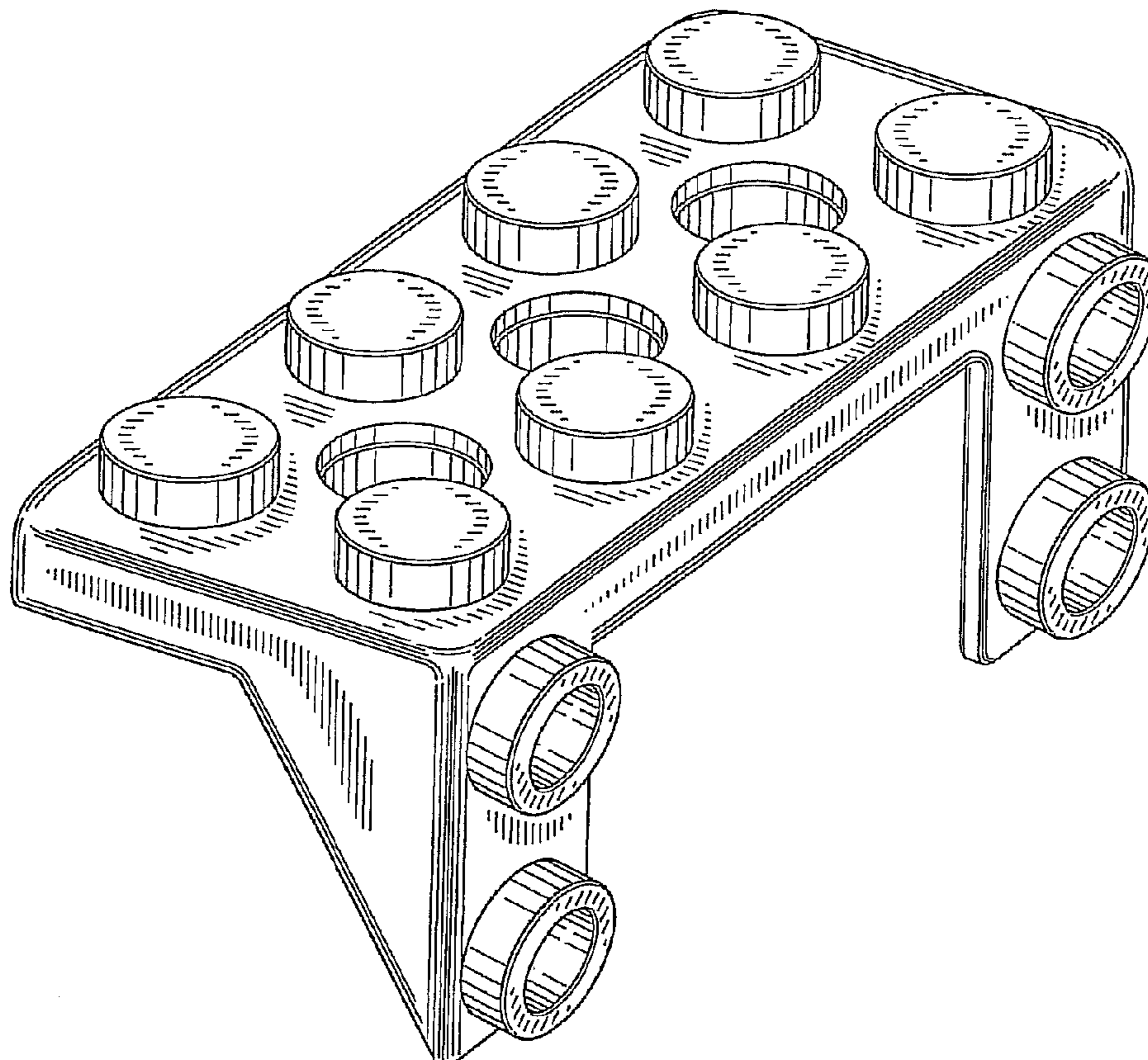
FIG. 3 is a bottom plan view of the construction toy component of FIG. 1;

FIG. 4 is a side elevation view of the construction toy component of FIG. 1,

FIG. 5 is an opposite side elevation view of the construction toy component of FIG. 1; and,

FIG. 6 is an end elevation view of the construction toy component of FIG. 1, the other end being a mirror image.

1 Claim, 3 Drawing Sheets



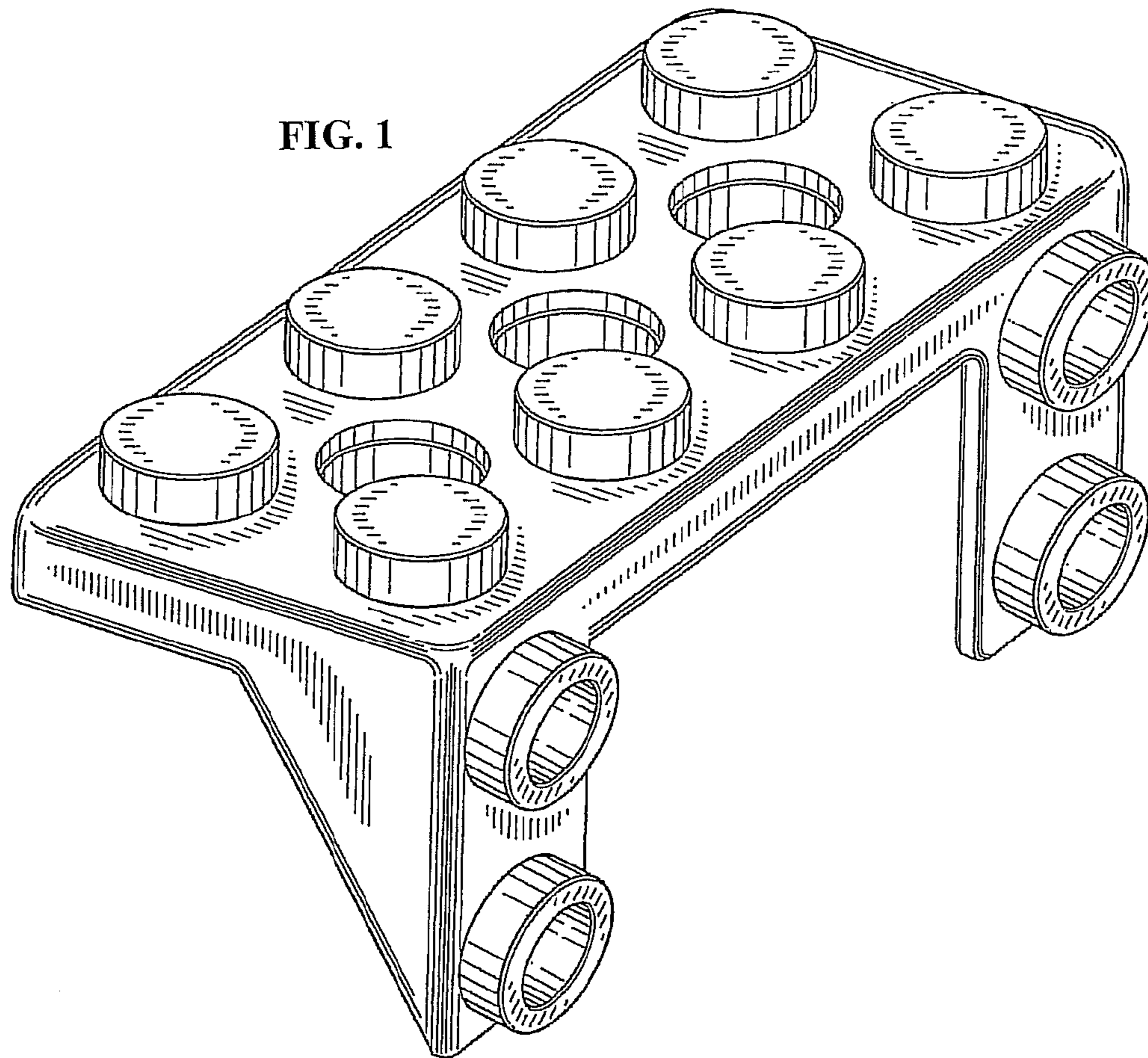


FIG. 2

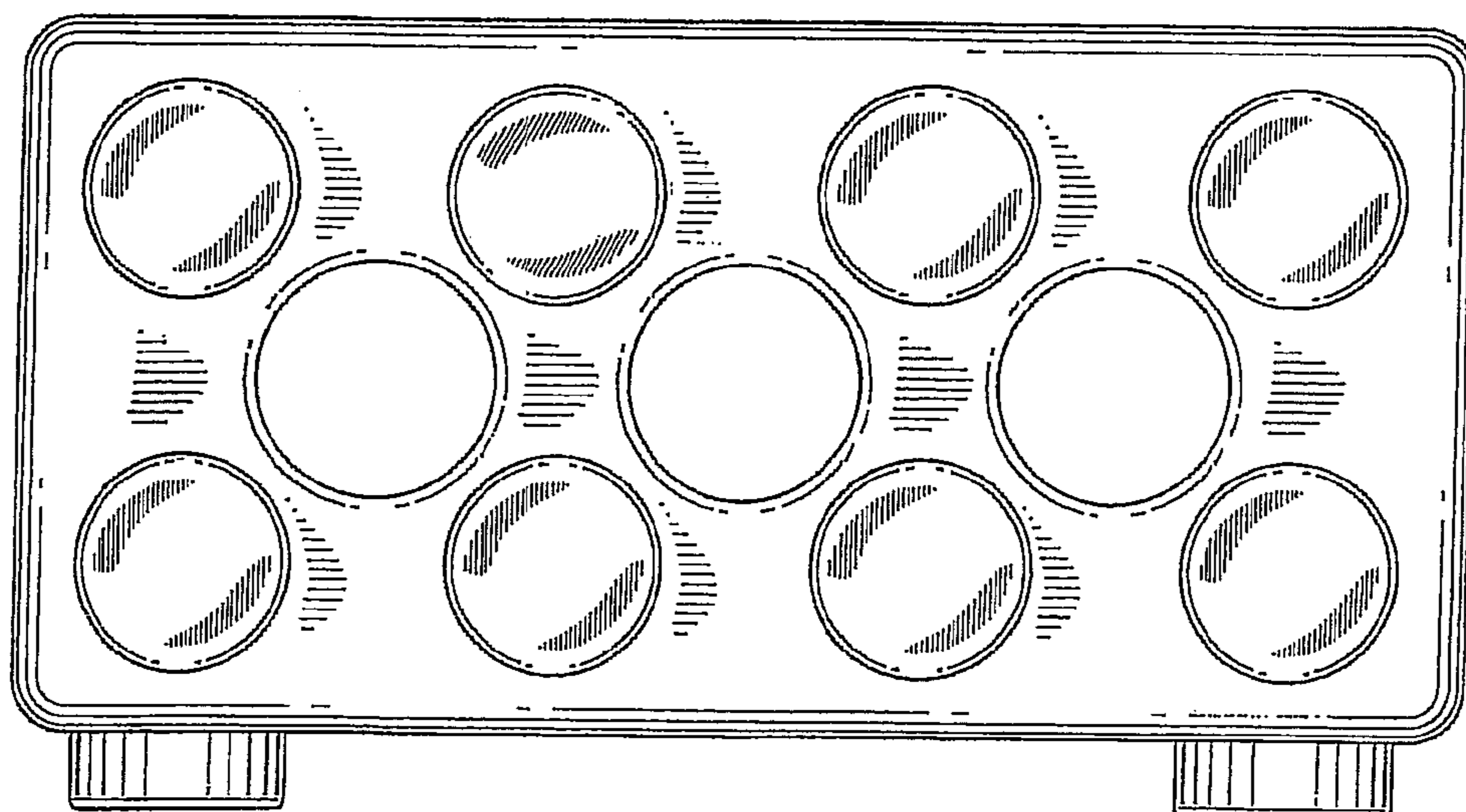


FIG. 3

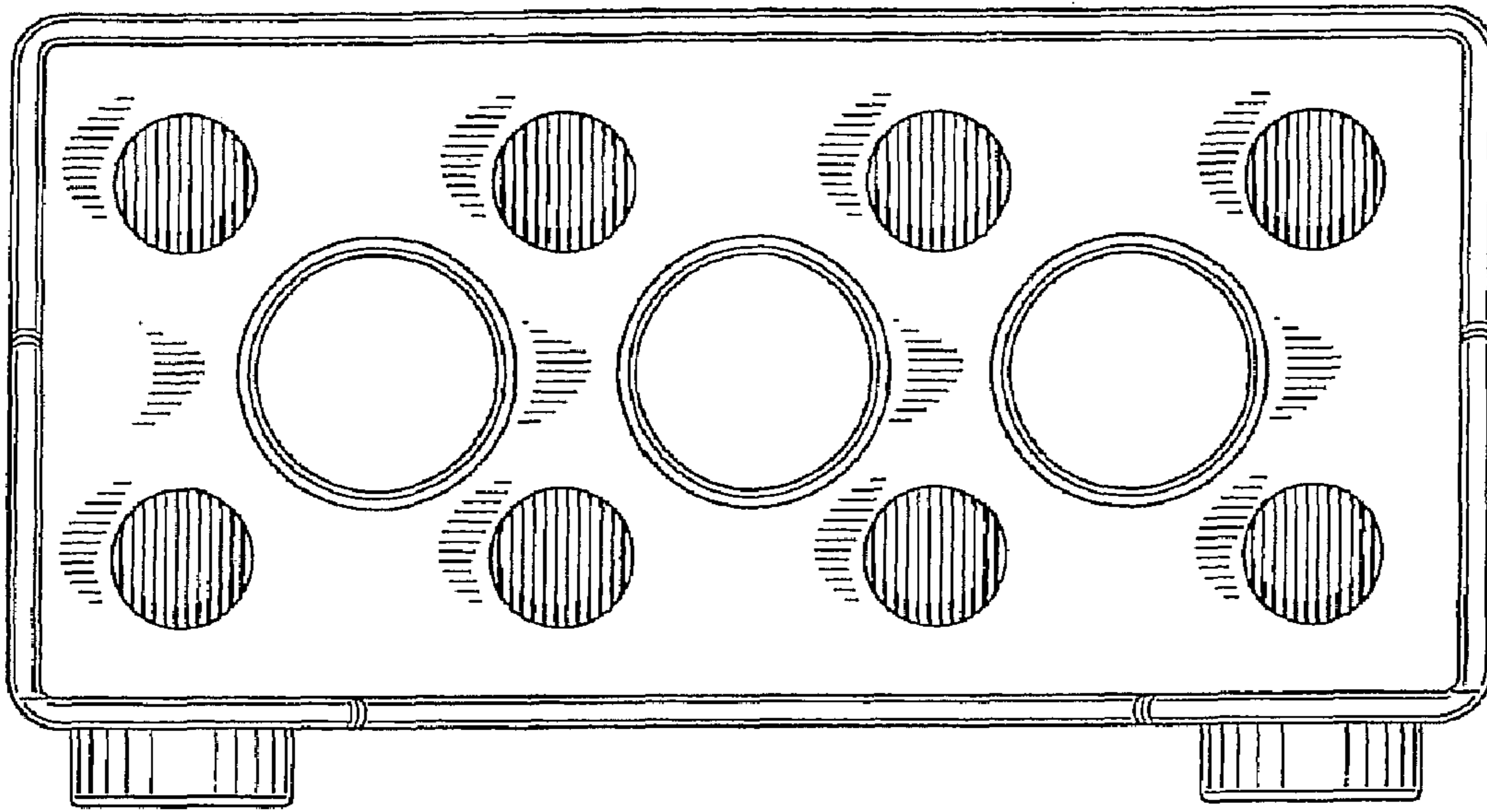


FIG. 4

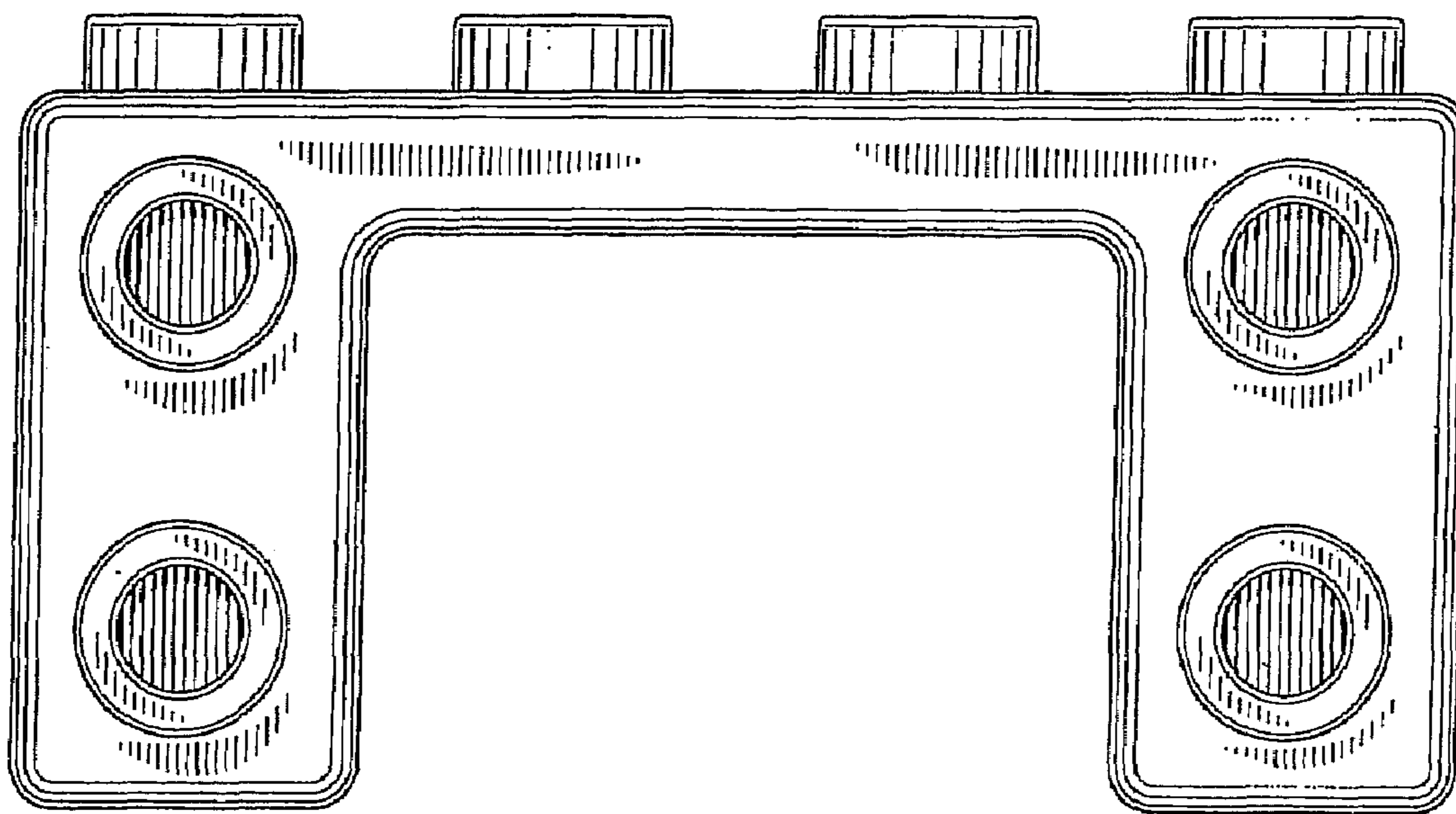


FIG. 5

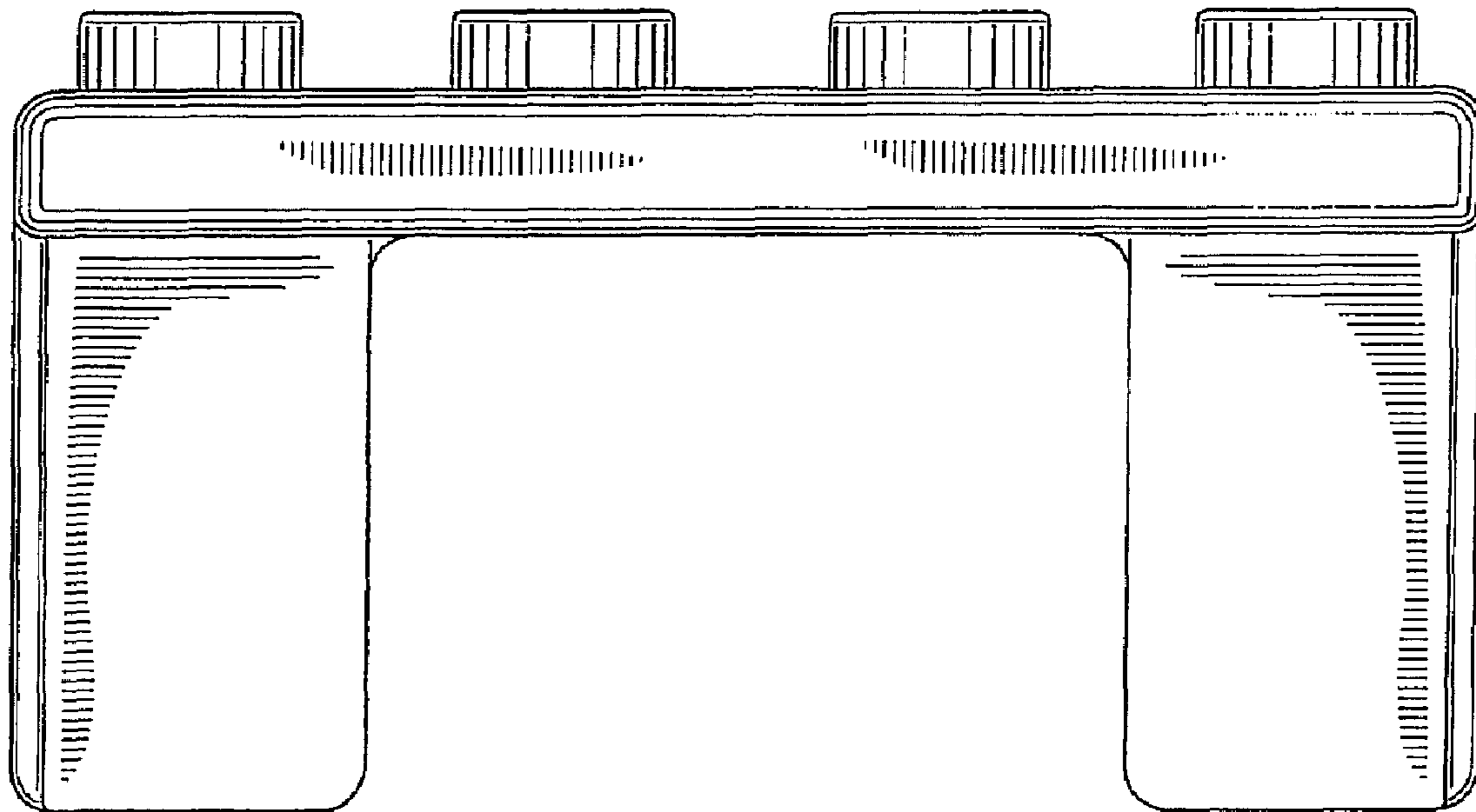


FIG. 6

