



US00D561844S

(12) **United States Design Patent**
Habing et al.

(10) **Patent No.:** **US D561,844 S**

(45) **Date of Patent:** **** Feb. 12, 2008**

(54) **TEETER TOTTER SUPPORT**

(75) Inventors: **Theodore G. Habing**, Tustin, CA (US);
Carlos E. Gonzalez, South Gate, CA (US)

(73) Assignee: **Dream Visions, LLC**, Tustin, CA (US)

(**) Term: **14 Years**

(21) Appl. No.: **29/214,814**

(22) Filed: **Oct. 7, 2004**

(51) **LOC (8) Cl.** **21-01**

(52) **U.S. Cl.** **D21/412**

(58) **Field of Classification Search** D21/302-309,
D21/398, 399, 404, 412, 413-435, 465, 467,
D21/475, 476, 488, 497, 502, 503-505, 686,
D21/691, 694, 697, 698-700, 814-833; D6/347,
D6/385-387, 458, 462-465, 417, 491, 495,
D6/499, 500-503, 546, 550; D8/367, 368,
D8/370, 373, 394, 300, 306, 313, 317, 319,
D8/320; 472/95-115, 118-125, 4, 14, 16,
472/20, 24; 482/23-25, 33, 35, 36, 143,
482/144; 297/273-282, 440.1-440.24; 446/227,
446/228; 211/113, 115, 116, 118, 164, 170,
211/171, 182; 248/75, 87, 370, 371, 393-395,
248/163.2, 165, 185.1, 188.7, 188.8, 299.1,
248/315, 505, 508; 273/127 B, 348, 369,
273/390, 402, 407, 408; 473/410-413; D3/318,
D3/328; D9/434; D11/3, 4
See application file for complete search history.

(56) **References Cited**

U.S. PATENT DOCUMENTS

857,653 A * 6/1907 McCaulley 297/280
1,087,015 A * 2/1914 Heylmun 63/1.13
1,812,947 A * 7/1931 Grubb 248/370
2,266,470 A * 12/1941 Moran 47/44

2,517,411 A * 8/1950 Patterson 62/518
D168,439 S * 12/1952 Dichesare D21/825
2,788,508 A * 4/1957 Buchanan 439/879
3,825,299 A * 7/1974 Gaucher 297/157.1
3,945,337 A * 3/1976 Sweetman 116/36
4,412,595 A * 11/1983 Kinzel 180/211
D310,698 S * 9/1990 Cooper D21/700
5,184,481 A * 2/1993 Joseph et al. 63/12
5,928,054 A * 7/1999 Mast 446/227
D431,619 S * 10/2000 Tsou D21/694
D465,370 S * 11/2002 Ouyoung D6/550
6,475,057 B1 * 11/2002 Norman 446/227
6,767,059 B1 * 7/2004 Rhoades 297/277
6,949,027 B1 * 9/2005 Habing et al. 472/118
D510,265 S * 10/2005 Man D9/434
2003/0127573 A1 * 7/2003 Kassai et al. 248/163.2

* cited by examiner

Primary Examiner—Catherine Tuttle
(74) *Attorney, Agent, or Firm*—Blakely, Sokoloff, Taylor & Zafman, LLP

(57) **CLAIM**

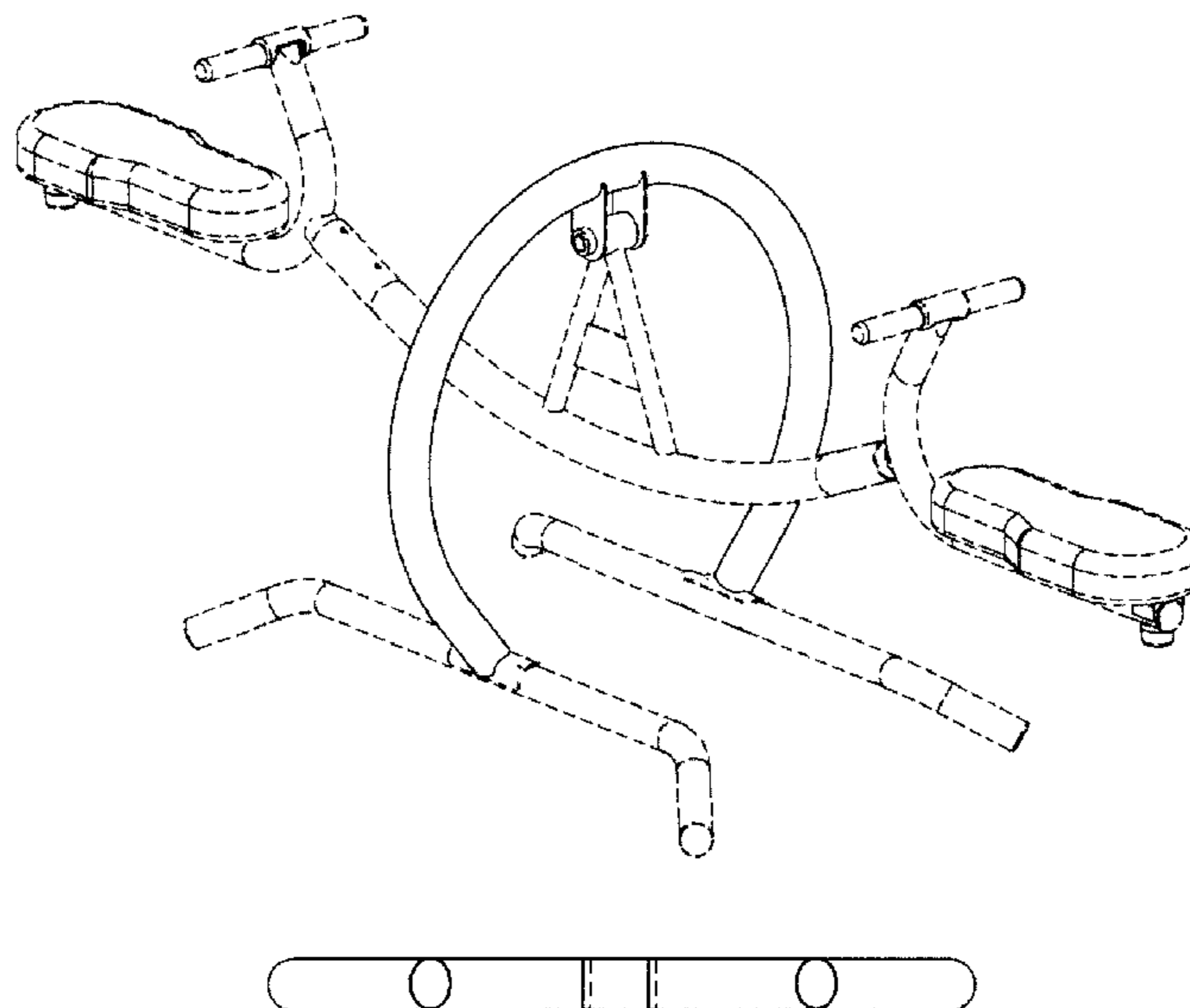
The ornamental design for a teeter totter support, as shown and described.

DESCRIPTION

FIG. 1 is a perspective view of our new design;
FIG. 2 is a bottom view thereof;
FIG. 3 is an end elevation view thereof, both ends being identical; and,
FIG. 4 is a side elevation view thereof, both sides being identical.

The environmental structure shown in broken lines is for illustrative purposes only and forms no part of the claimed design.

1 Claim, 2 Drawing Sheets



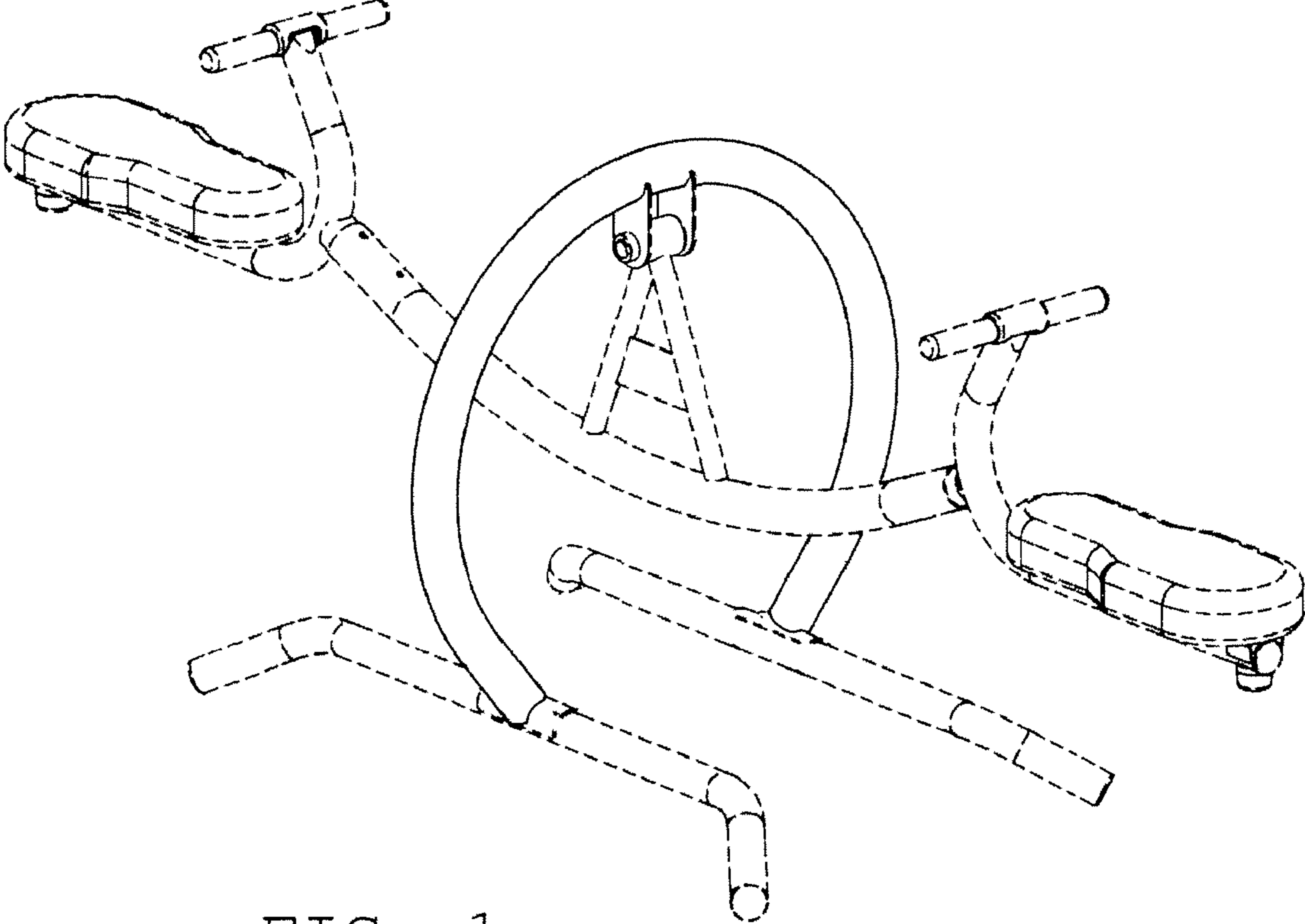


FIG. 1



FIG. 2

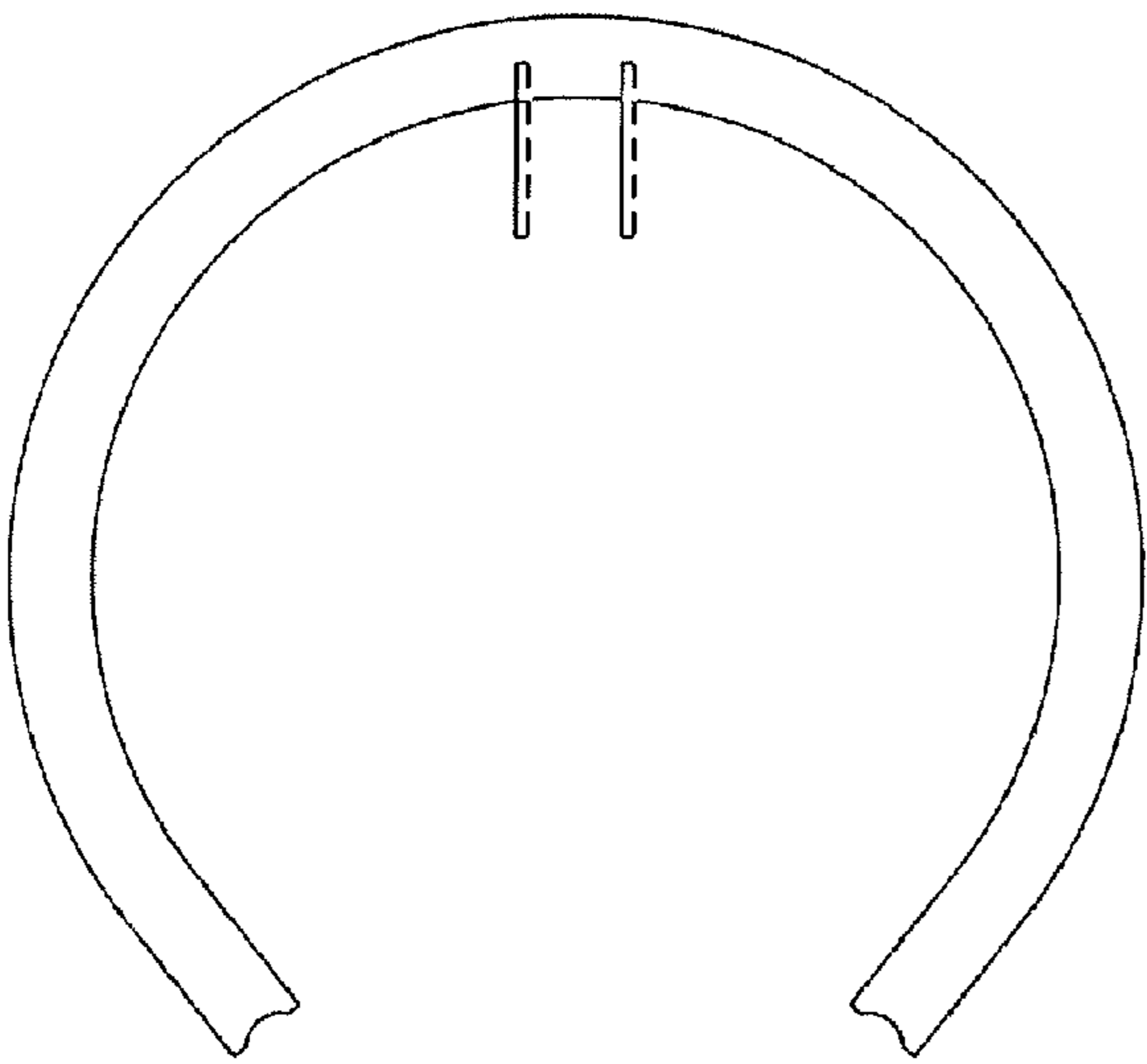


FIG. 3



FIG. 4