



US00D561836S

(12) **United States Design Patent** (10) **Patent No.:** **US D561,836 S**  
**Lau** (45) **Date of Patent:** **\*\* Feb. 12, 2008**

(54) **INTEGRATED TABBED NOTE AND CLIP** 1,418,306 A \* 6/1922 Holt ..... 24/562  
 1,465,576 A 8/1923 Biggs  
 (76) Inventor: **Janet K. Lau**, 1937 Abreu Way, Union 1,501,067 A 7/1924 Schaffert  
 City, CA (US) 94587 1,524,478 A 1/1925 Hunter  
 (\*\*) Term: **14 Years** 1,565,501 A \* 12/1925 Robinson, Jr. .... 24/546  
 1,587,335 A 6/1926 Kline  
 (21) Appl. No.: **29/278,226** 1,661,165 A 3/1928 Cameron  
 1,701,770 A \* 2/1929 Canine ..... 40/666  
 (22) Filed: **Mar. 22, 2007** 1,778,031 A 10/1930 Kinch  
 1,783,484 A \* 12/1930 Ross ..... 24/547  
 1,802,980 A 4/1931 Marsh  
 1,826,580 A 10/1931 Spinney  
 1,840,604 A 1/1932 Randall  
 1,894,906 A 1/1933 Henry  
 1,914,671 A 6/1933 O'Neil  
 1,976,465 A 10/1934 Thomson  
 1,977,096 A 10/1934 Straubel  
 1,985,866 A 12/1934 Lankenau  
 1,997,894 A 4/1935 Woodley  
 2,008,019 A 7/1935 Horlick, Jr.  
 2,118,043 A 5/1938 Goza  
 2,156,743 A 5/1939 Skrebba  
 2,186,508 A \* 1/1940 Tremmel ..... 40/659  
 2,323,552 A 7/1943 Marion  
 D136,639 S 11/1943 Hoffman  
 2,362,445 A 11/1944 Blodgett  
 2,415,248 A 2/1947 Kenna et al.  
 2,420,021 A 5/1947 Straubel  
 2,623,311 A 12/1952 Condon  
 3,073,046 A 1/1963 Condon  
 3,123,924 A 3/1964 Roberts  
 3,225,469 A 12/1965 Chase  
 3,290,810 A 12/1966 Morena  
 3,360,877 A 1/1968 Estep  
 3,934,368 A 1/1976 Fearing  
 D241,342 S 9/1976 Carroll  
 4,237,587 A \* 12/1980 Hsiao et al. .... 24/555  
 D268,848 S 5/1983 Lorber  
 4,384,417 A 5/1983 Thompson  
 4,425,724 A 1/1984 Scott  
 4,646,455 A 3/1987 Gardner  
 4,691,458 A 9/1987 Scott  
 4,878,302 A 11/1989 Jowsey  
 D304,958 S \* 12/1989 Gutierrez ..... D19/65  
 4,918,789 A \* 4/1990 Chen et al. .... 24/67.9  
 4,947,524 A \* 8/1990 Chang ..... 24/67.9  
 4,951,408 A 8/1990 Banks  
 D314,012 S 1/1991 Klodt  
 5,170,535 A \* 12/1992 Strong ..... 24/67.9

**Related U.S. Application Data**

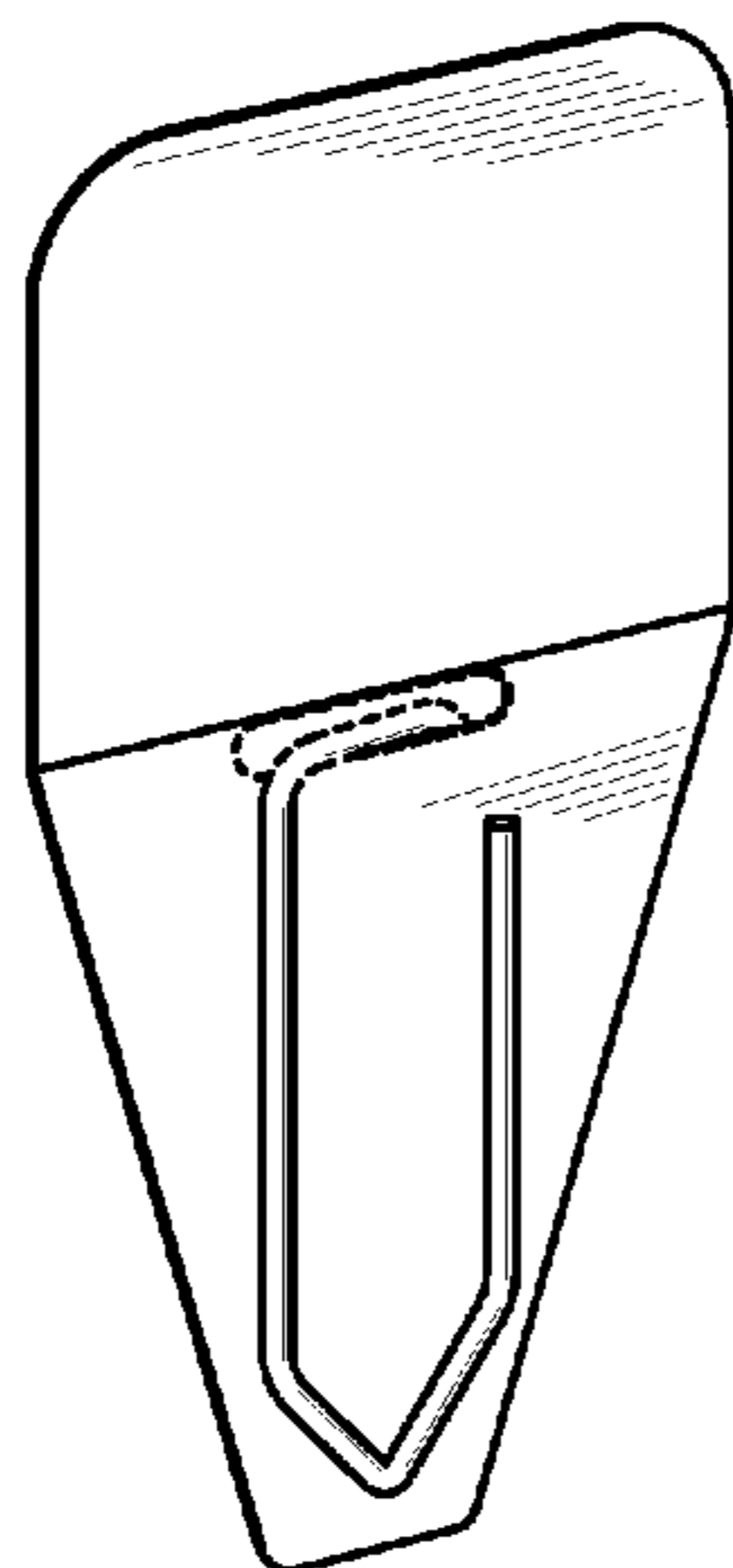
(63) Continuation-in-part of application No. 29/247,938, filed on Jul. 20, 2006, now Pat. No. Des. 541,346, and a continuation-in-part of application No. 29/275,238, filed on Dec. 18, 2006, and a continuation-in-part of application No. 29/275,270, filed on Dec. 19, 2006.

(51) **LOC (8) Cl.** ..... **19-02**  
 (52) **U.S. Cl.** ..... **D19/65**  
 (58) **Field of Classification Search** ..... D8/395,  
 D8/396, 39; D19/1, 2, 5, 6, 34, 65, 90, 91,  
 D19/99, 100; D20/22, 27, 43; 24/67 R,  
 24/67.1, 67.3, 67.5, 67.7, 67.9, 67.11, 489,  
 24/531, 532, 546, 547, 548, 549, 562, 564,  
 24/570, DIG. 8, DIG. 9, DIG. 10; 40/124.01-12,  
 40/312, 625, 641, 642.02, 651, 658, 659,  
 40/661, 664, 666; 248/302  
 See application file for complete search history.

(56) **References Cited**

**U.S. PATENT DOCUMENTS**

332,327 A 12/1885 Clark  
 747,761 A \* 12/1903 Pollard ..... 40/384  
 863,265 A 8/1907 Crouse  
 876,252 A 1/1908 Baker  
 962,397 A 6/1910 Whitmore  
 1,052,505 A 2/1913 Munger et al.  
 1,123,008 A 12/1914 Rice  
 1,158,940 A 11/1915 Litt et al.  
 1,178,113 A 4/1916 Turton et al.  
 D50,594 S 4/1917 Voges  
 1,340,180 A \* 5/1920 O'Brien ..... 24/67.9  
 1,345,365 A 7/1920 Hutchison



|              |      |         |                       |          |
|--------------|------|---------|-----------------------|----------|
| 5,199,203    | A    | 4/1993  | Jones                 |          |
| 5,319,835    | A *  | 6/1994  | Chao .....            | 24/67.9  |
| 5,329,672    | A *  | 7/1994  | Froehlich et al. .... | 24/67.9  |
| 5,481,784    | A    | 1/1996  | Sinaiko               |          |
| D368,487     | S *  | 4/1996  | Lindberg .....        | D19/1    |
| 5,535,486    | A *  | 7/1996  | Cabili .....          | 24/67.9  |
| D383,789     | S    | 9/1997  | Shyu                  |          |
| 5,695,219    | A    | 12/1997 | Crawford              |          |
| 5,996,130    | A    | 12/1999 | Verhines              |          |
| D465,525     | S    | 11/2002 | Dilday                |          |
| D480,754     | S *  | 10/2003 | Berger .....          | D19/1    |
| 7,005,170    | B1 * | 2/2006  | Simpson et al. ....   | 428/40.1 |
| 2002/0104199 | A1 * | 8/2002  | Chen .....            | 24/67.9  |
| 2004/0172791 | A1 * | 9/2004  | Arduini .....         | 24/67.9  |
| 2005/0217078 | A1   | 10/2005 | Groch et al.          |          |
| 2006/0000133 | A1   | 1/2006  | Windorski             |          |
| 2006/0107496 | A1 * | 5/2006  | Cheng .....           | 24/67.9  |
| 2007/0017068 | A1 * | 1/2007  | Wang .....            | 24/67.9  |
| 2007/0067966 | A1 * | 3/2007  | Flores .....          | 24/67.3  |

FOREIGN PATENT DOCUMENTS

|    |             |   |         |
|----|-------------|---|---------|
| JP | 09-071065   | A | 3/1997  |
| JP | 2001-353992 | A | 12/2001 |

\* cited by examiner

*Primary Examiner*—Elizabeth A. Albert  
*(74) Attorney, Agent, or Firm*—Aka Chan LLP

(57) CLAIM

The ornamental design for an integrated tabbed note and clip, as shown and described.

DESCRIPTION

FIG. 1 shows a perspective view of a first embodiment of a design for an integrated tabbed note and clip.  
 FIG. 2 shows a front view of the first embodiment.  
 FIG. 3 shows a right-side view of the first embodiment. A left-side view of this embodiment is a mirror image of this figure.  
 FIG. 4 shows a back view of the first embodiment.  
 FIG. 5 shows a top view of the first embodiment.  
 FIG. 6 shows a bottom view of the first embodiment.  
 FIG. 7 shows a perspective view of a second embodiment.  
 FIG. 8 shows a front view of the second embodiment.  
 FIG. 9 shows a right-side view of the second embodiment. A left-side view of this embodiment is a mirror image of this figure.  
 FIG. 10 shows a back view of the second embodiment.  
 FIG. 11 shows a top view of the second embodiment.  
 FIG. 12 shows a bottom view of the second embodiment.  
 FIG. 13 shows a perspective view of a third embodiment.  
 FIG. 14 shows a front view of the third embodiment.  
 FIG. 15 shows a right-side view of the third embodiment. A left-side view of this embodiment is a mirror image of this figure.  
 FIG. 16 shows a back view of the third embodiment.  
 FIG. 17 shows a top view of the third embodiment.  
 FIG. 18 shows a bottom view of the third embodiment.  
 FIG. 19 shows a perspective view of a fourth embodiment.  
 FIG. 20 shows a front view of the fourth embodiment.

FIG. 21 shows a right-side view of the fourth embodiment. A left-side view of this embodiment is a mirror image of this figure.  
 FIG. 22 shows a back view of the fourth embodiment.  
 FIG. 23 shows a top view of the fourth embodiment.  
 FIG. 24 shows a bottom view of the fourth embodiment.  
 FIG. 25 shows a perspective view of a fifth embodiment.  
 FIG. 26 shows a front view of the fifth embodiment.  
 FIG. 27 shows a right-side view of the fifth embodiment. A left-side view of this embodiment is a mirror image of this figure.  
 FIG. 28 shows a back view of the fifth embodiment.  
 FIG. 29 shows a top view of the fifth embodiment.  
 FIG. 30 shows a bottom view of the fifth embodiment.  
 FIG. 31 shows a perspective view of a sixth embodiment.  
 FIG. 32 shows a front view of the sixth embodiment.  
 FIG. 33 shows a right-side view of the sixth embodiment. A left-side view of this embodiment is a mirror image of this figure.  
 FIG. 34 shows a back view of the sixth embodiment.  
 FIG. 35 shows a top view of the sixth embodiment.  
 FIG. 36 shows a bottom view of the sixth embodiment.  
 FIG. 37 shows a perspective view of a seventh embodiment.  
 FIG. 38 shows a front view of the seventh embodiment.  
 FIG. 39 shows a right-side view of the seventh embodiment. A left-side view of this embodiment is a mirror image of this figure.  
 FIG. 40 shows a back view of the seventh embodiment.  
 FIG. 41 shows a top view of the seventh embodiment.  
 FIG. 42 shows a bottom view of the seventh embodiment.  
 FIG. 43 shows a perspective view of an eighth embodiment.  
 FIG. 44 shows a front view of the eighth embodiment.  
 FIG. 45 shows a right-side view of the eighth embodiment. A left-side view of this embodiment is a mirror image of this figure.  
 FIG. 46 shows a back view of the eighth embodiment.  
 FIG. 47 shows a top view of the eighth embodiment.  
 FIG. 48 shows a bottom view of the eighth embodiment.  
 FIG. 49 shows a perspective view of a ninth embodiment.  
 FIG. 50 shows a front view of the ninth embodiment.  
 FIG. 51 shows a right-side view of the ninth embodiment. A left-side view of this embodiment is a mirror image of this figure.  
 FIG. 52 shows a back view of the ninth embodiment.  
 FIG. 53 shows a top view of the ninth embodiment.  
 FIG. 54 shows a bottom view of the ninth embodiment.  
 FIG. 55 shows a perspective view of a tenth embodiment.  
 FIG. 56 shows a front view of the tenth embodiment.  
 FIG. 57 shows a right-side view of the tenth embodiment. A left-side view of this embodiment is a mirror image of this figure.  
 FIG. 58 shows a back view of the tenth embodiment.  
 FIG. 59 shows a top view of the tenth embodiment.  
 FIG. 60 shows a bottom view of the tenth embodiment.

FIG. 61 shows a perspective view of an eleventh embodiment.

FIG. 62 shows a front view of the eleventh embodiment.

FIG. 63 shows a right-side view of the eleventh embodiment. A left-side view of this embodiment is a mirror image of this figure.

FIG. 64 shows a back view of the eleventh embodiment.

FIG. 65 shows a top view of the eleventh embodiment.

FIG. 66 shows a bottom view of the eleventh embodiment.

FIG. 67 shows a perspective view of a twelfth embodiment.

FIG. 68 shows a front view of the twelfth embodiment.

FIG. 69 shows a right-side view of the twelfth embodiment. A left-side view of this embodiment is a mirror image of this figure.

FIG. 70 shows a back view of the twelfth embodiment.

FIG. 71 shows a top view of the twelfth embodiment.

FIG. 72 shows a bottom view of the twelfth embodiment.

FIG. 73 shows a perspective view of a thirteenth embodiment.

FIG. 74 shows a front view of the thirteenth embodiment.

FIG. 75 shows a right-side view of the thirteenth embodiment. A left-side view of this embodiment is a mirror image of this figure.

FIG. 76 shows a back view of the thirteenth embodiment.

FIG. 77 shows a top view of the thirteenth embodiment.

FIG. 78 shows a bottom view of the thirteenth embodiment.

FIG. 79 shows a perspective view of a fourteenth embodiment.

FIG. 80 shows a front view of the fourteenth embodiment.

FIG. 81 shows a right-side view of the fourteenth embodiment. A left-side view of this embodiment is a mirror image of this figure.

FIG. 82 shows a back view of the fourteenth embodiment.

FIG. 83 shows a top view of the fourteenth embodiment.

FIG. 84 shows a bottom view of the fourteenth embodiment.

FIG. 85 shows a perspective view of a fifteenth embodiment.

FIG. 86 shows a front view of the fifteenth embodiment.

FIG. 87 shows a right-side view of the fifteenth embodiment. A left-side view of this embodiment is a mirror image of this figure.

FIG. 88 shows a back view of the fifteenth embodiment.

FIG. 89 shows a top view of the fifteenth embodiment.

FIG. 90 shows a bottom view of the fifteenth embodiment.

FIG. 91 shows a perspective view of a sixteenth embodiment.

FIG. 92 shows a front view of the sixteenth embodiment.

FIG. 93 shows a right-side view of the sixteenth embodiment. A left-side view of this embodiment is a mirror image of this figure.

FIG. 94 shows a back view of the sixteenth embodiment.

FIG. 95 shows a top view of the sixteenth embodiment.

FIG. 96 shows a bottom view of the sixteenth embodiment.

FIG. 97 shows a perspective view of a seventeenth embodiment.

FIG. 98 shows a front view of the seventeenth embodiment.

FIG. 99 shows a right-side view of the seventeenth embodiment. A left-side view of this embodiment is a mirror image of this figure.

FIG. 100 shows a back view of the seventeenth embodiment.

FIG. 101 shows a top view of the seventeenth embodiment.

FIG. 102 shows a bottom view of the seventeenth embodiment.

FIG. 103 shows a perspective view of an eighteenth embodiment.

FIG. 104 shows a front view of the eighteenth embodiment.

FIG. 105 shows a right-side view of the eighteenth embodiment. A left-side view of this embodiment is a mirror image of this figure.

FIG. 106 shows a back view of the eighteenth embodiment.

FIG. 107 shows a top view of the eighteenth embodiment.

FIG. 108 shows a bottom view of the eighteenth embodiment.

FIG. 109 shows a perspective view of a nineteenth embodiment.

FIG. 110 shows a front view of the nineteenth embodiment.

FIG. 111 shows a right-side view of the nineteenth embodiment. A left-side view of this embodiment is a mirror image of this figure.

FIG. 112 shows a back view of the nineteenth embodiment.

FIG. 113 shows a top view of the nineteenth embodiment.

FIG. 114 shows a bottom view of the nineteenth embodiment.

FIG. 115 shows a perspective view of a twentieth embodiment.

FIG. 116 shows a front view of the twentieth embodiment.

FIG. 117 shows a right-side view of the twentieth embodiment. A left-side view of this embodiment is a mirror image of this figure.

FIG. 118 shows a back view of the twentieth embodiment.

FIG. 119 shows a top view of the twentieth embodiment.

FIG. 120 shows a bottom view of the twentieth embodiment.

FIG. 121 shows a perspective view of a twenty-first embodiment.

FIG. 122 shows a front view of the twenty-first embodiment.

FIG. 123 shows a right-side view of the twenty-first embodiment. A left-side view of this embodiment is a mirror image of this figure.

FIG. 124 shows a back view of the twenty-first embodiment.

FIG. 125 shows a top view of the twenty-first embodiment.

FIG. 126 shows a bottom view of the twenty-first embodiment.

FIG. 127 shows a perspective view of a twenty-second embodiment.

FIG. 128 shows a front view of the twenty-second embodiment.

FIG. 129 shows a right-side view of the twenty-second embodiment. A left-side view of this embodiment is a mirror image of this figure.

FIG. 130 shows a back view of the twenty-second embodiment.

FIG. 131 shows a top view of the twenty-second embodiment.

FIG. 132 shows a bottom view of the twenty-second embodiment.

FIG. 133 shows a perspective view of a twenty-third embodiment.

FIG. 134 shows a front view of the twenty-third embodiment.

FIG. 135 shows a right-side view of the twenty-third embodiment. A left-side view of this embodiment is a mirror image of this figure.

FIG. 136 shows a back view of the twenty-third embodiment.

FIG. 137 shows a top view of the twenty-third embodiment.

FIG. 138 shows a bottom view of the twenty-third embodiment.

FIG. 139 shows a perspective view of a twenty-fourth embodiment.

FIG. 140 shows a front view of the twenty-fourth embodiment.

FIG. 141 shows a right-side view of the twenty-fourth embodiment. A left-side view of this embodiment is a mirror image of this figure.

FIG. 142 shows a back view of the twenty-fourth embodiment.

FIG. 143 shows a top view of the twenty-fourth embodiment.

FIG. 144 shows a bottom view of the twenty-fourth embodiment.

FIG. 145 shows a perspective view of a twenty-fifth embodiment.

FIG. 146 shows a front view of the twenty-fifth embodiment.

FIG. 147 shows a right-side view of the twenty-fifth embodiment. A left-side view of this embodiment is a mirror image of this figure.

FIG. 148 shows a back view of the twenty-fifth embodiment.

FIG. 149 shows a top view of the twenty-fifth embodiment.

FIG. 150 shows a bottom view of the twenty-fifth embodiment.

FIG. 151 shows a perspective view of a twenty-sixth embodiment.

FIG. 152 shows a front view of the twenty-sixth embodiment.

FIG. 153 shows a right-side view of the twenty-sixth embodiment. A left-side view of this embodiment is a mirror image of this figure.

FIG. 154 shows a back view of the twenty-sixth embodiment.

FIG. 155 shows a top view of the twenty-sixth embodiment.

FIG. 156 shows a bottom view of the twenty-sixth embodiment.

FIG. 157 shows a perspective view of a twenty-seventh embodiment.

FIG. 158 shows a front view of the twenty-seventh embodiment.

FIG. 159 shows a right-side view of the twenty-seventh embodiment. A left-side view of this embodiment is a mirror image of this figure.

FIG. 160 shows a back view of the twenty-seventh embodiment.

FIG. 161 shows a top view of the twenty-seventh embodiment.

FIG. 162 shows a bottom view of the twenty-seventh embodiment.

FIG. 163 shows a perspective view of a twenty-eighth embodiment.

FIG. 164 shows a front view of the twenty-eighth embodiment.

FIG. 165 shows a right-side view of the twenty-eighth embodiment. A left-side view of this embodiment is a mirror image of this figure.

FIG. 166 shows a back view of the twenty-eighth embodiment.

FIG. 167 shows a top view of the twenty-eighth embodiment.

FIG. 168 shows a bottom view of the twenty-eighth embodiment.

FIG. 169 shows a perspective view of a twenty-ninth embodiment.

FIG. 170 shows a front view of the twenty-ninth embodiment.

FIG. 171 shows a right-side view of the twenty-ninth embodiment. A left-side view of this embodiment is a mirror image of this figure.

FIG. 172 shows a back view of the twenty-ninth embodiment.

FIG. 173 shows a top view of the twenty-ninth embodiment.

FIG. 174 shows a bottom view of the twenty-ninth embodiment.

FIG. 175 shows a perspective view of a thirtieth embodiment.

FIG. 176 shows a front view of the thirtieth embodiment.

FIG. 177 shows a right-side view of the thirtieth embodiment. A left-side view of this embodiment is a mirror image of this figure.

FIG. 178 shows a back view of the thirtieth embodiment.

FIG. 179 shows a top view of the thirtieth embodiment.

FIG. 180 shows a bottom view of the thirtieth embodiment.

FIG. 181 shows a perspective view of a thirty-first embodiment.

FIG. 182 shows a front view of the thirty-first embodiment.

FIG. 183 shows a right-side view of the thirty-first embodiment. A left-side view of this embodiment is a mirror image of this figure.

FIG. 184 shows a back view of the thirty-first embodiment.

FIG. 185 shows a top view of the thirty-first embodiment.

FIG. 186 shows a bottom view of the thirty-first embodiment.

FIG. 187 shows a perspective view of a thirty-second embodiment.

FIG. 188 shows a front view of the thirty-second embodiment.

FIG. 189 shows a right-side view of the thirty-second embodiment. A left-side view of this embodiment is a mirror image of this figure.

FIG. 190 shows a back view of the thirty-second embodiment.

FIG. 191 shows a top view of the thirty-second embodiment.

FIG. 192 shows a bottom view of the thirty-second embodiment.

FIG. 193 shows a perspective view of a thirty-third embodiment.

FIG. 194 shows a front view of the thirty-third embodiment.

FIG. 195 shows a right-side view of the thirty-third embodiment. A left-side view of this embodiment is a mirror image of this figure.

FIG. 196 shows a back view of the thirty-third embodiment.

FIG. 197 shows a top view of the thirty-third embodiment.

FIG. 198 shows a bottom view of the thirty-third embodiment.

FIG. 199 shows a perspective view of a thirty-fourth embodiment.

FIG. 200 shows a front view of the thirty-fourth embodiment.

FIG. 201 shows a right-side view of the thirty-fourth embodiment. A left-side view of this embodiment is a mirror image of this figure.

FIG. 202 shows a back view of the thirty-fourth embodiment.

FIG. 203 shows a top view of the thirty-fourth embodiment.

FIG. 204 shows a bottom view of the thirty-fourth embodiment.

FIG. 205 shows a perspective view of a thirty-fifth embodiment.

FIG. 206 shows a front view of the thirty-fifth embodiment.

FIG. 207 shows a right-side view of the thirty-fifth embodiment. A left-side view of this embodiment is a mirror image of this figure.

FIG. 208 shows a back view of the thirty-fifth embodiment.

FIG. 209 shows a top view of the thirty-fifth embodiment.

FIG. 210 shows a bottom view of the thirty-fifth embodiment.

FIG. 211 shows a perspective view of a thirty-sixth embodiment.

FIG. 212 shows a front view of the thirty-sixth embodiment.

FIG. 213 shows a right-side view of the thirty-sixth embodiment. A left-side view of this embodiment is a mirror image of this figure.

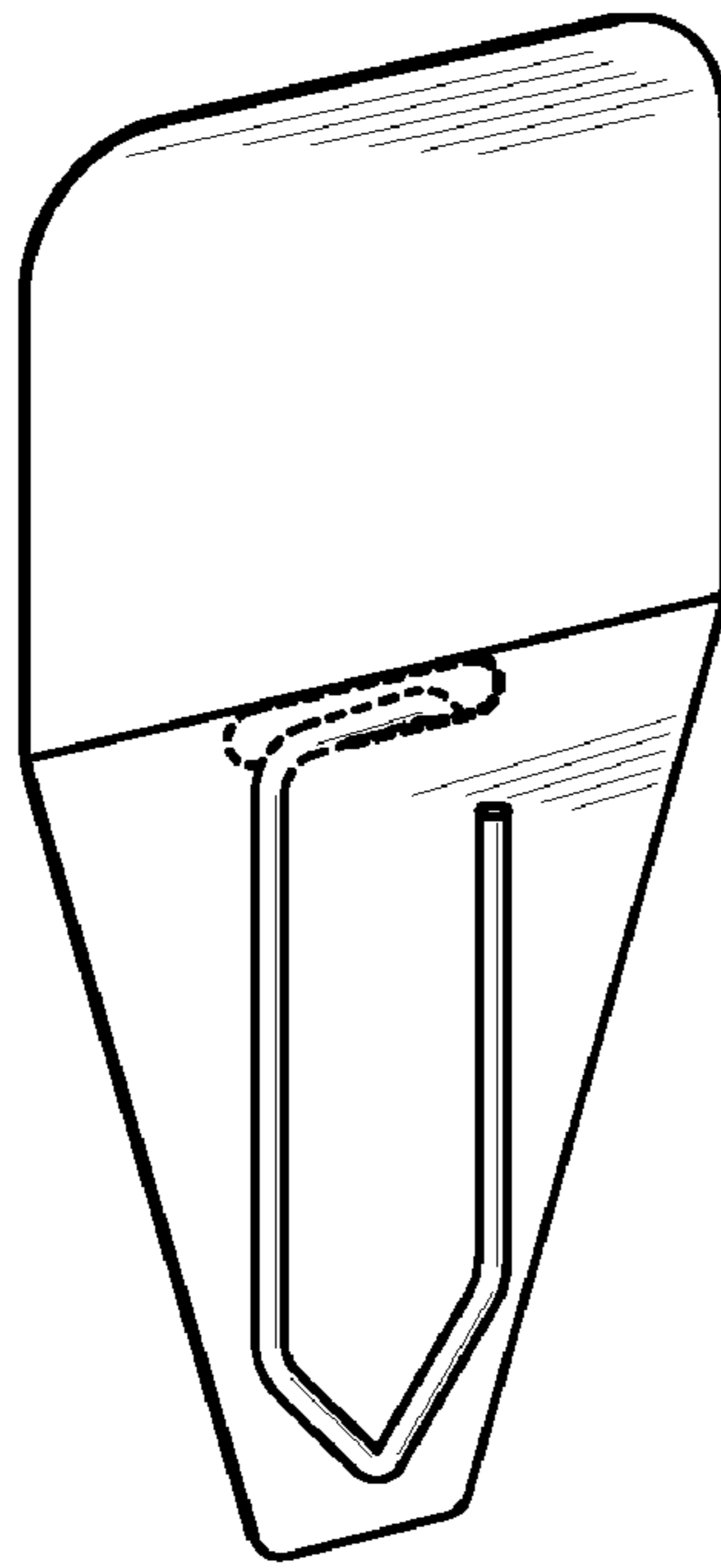
FIG. 214 shows a back view of the thirty-sixth embodiment.

FIG. 215 shows a top view of the thirty-sixth embodiment; and,

FIG. 216 shows a bottom view of the thirty-sixth embodiment.

The broken-line features in the figures are for illustrative purposes only and form no part of the claimed design.

**1 Claim, 36 Drawing Sheets**



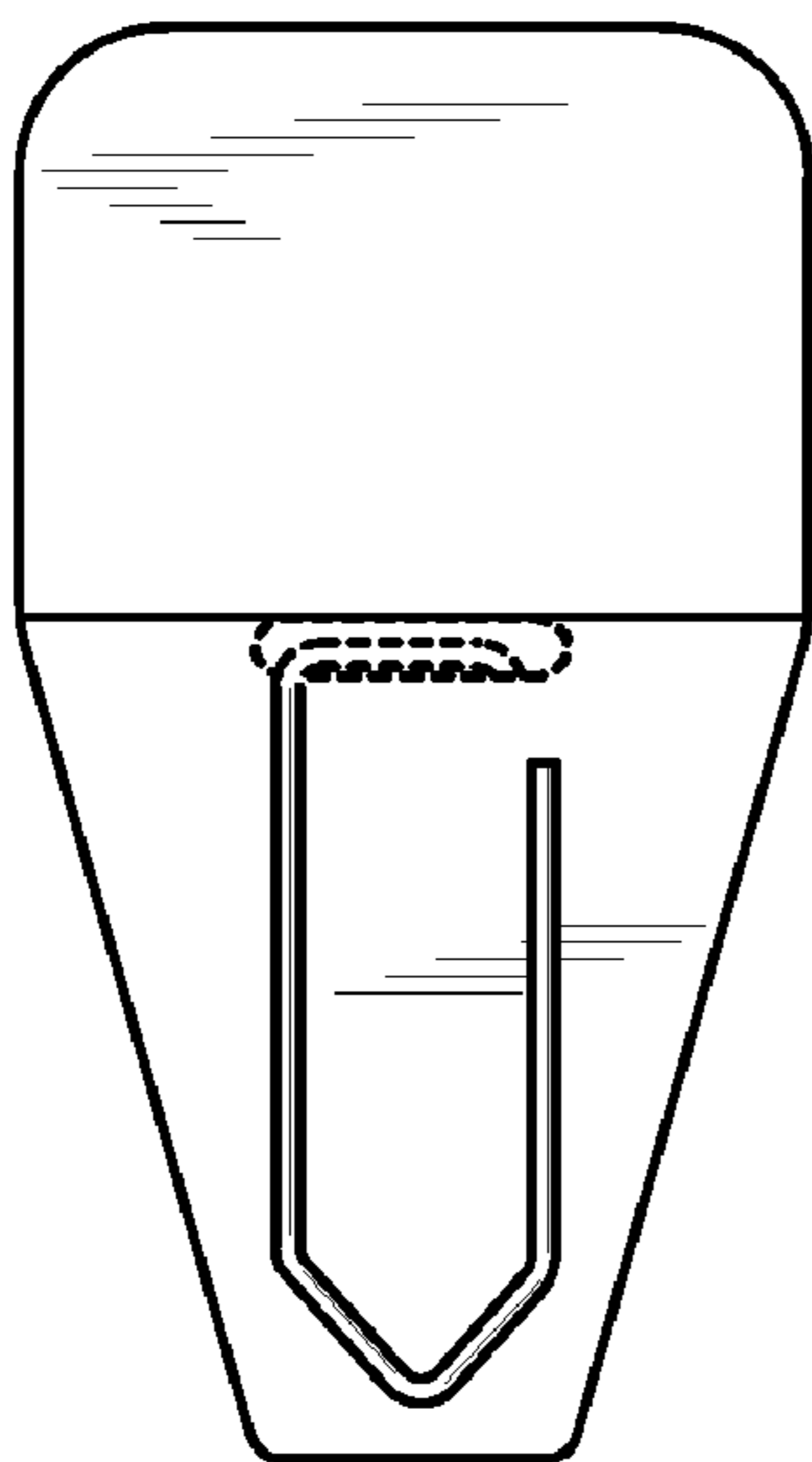
*FIG. 1*



*FIG. 5*



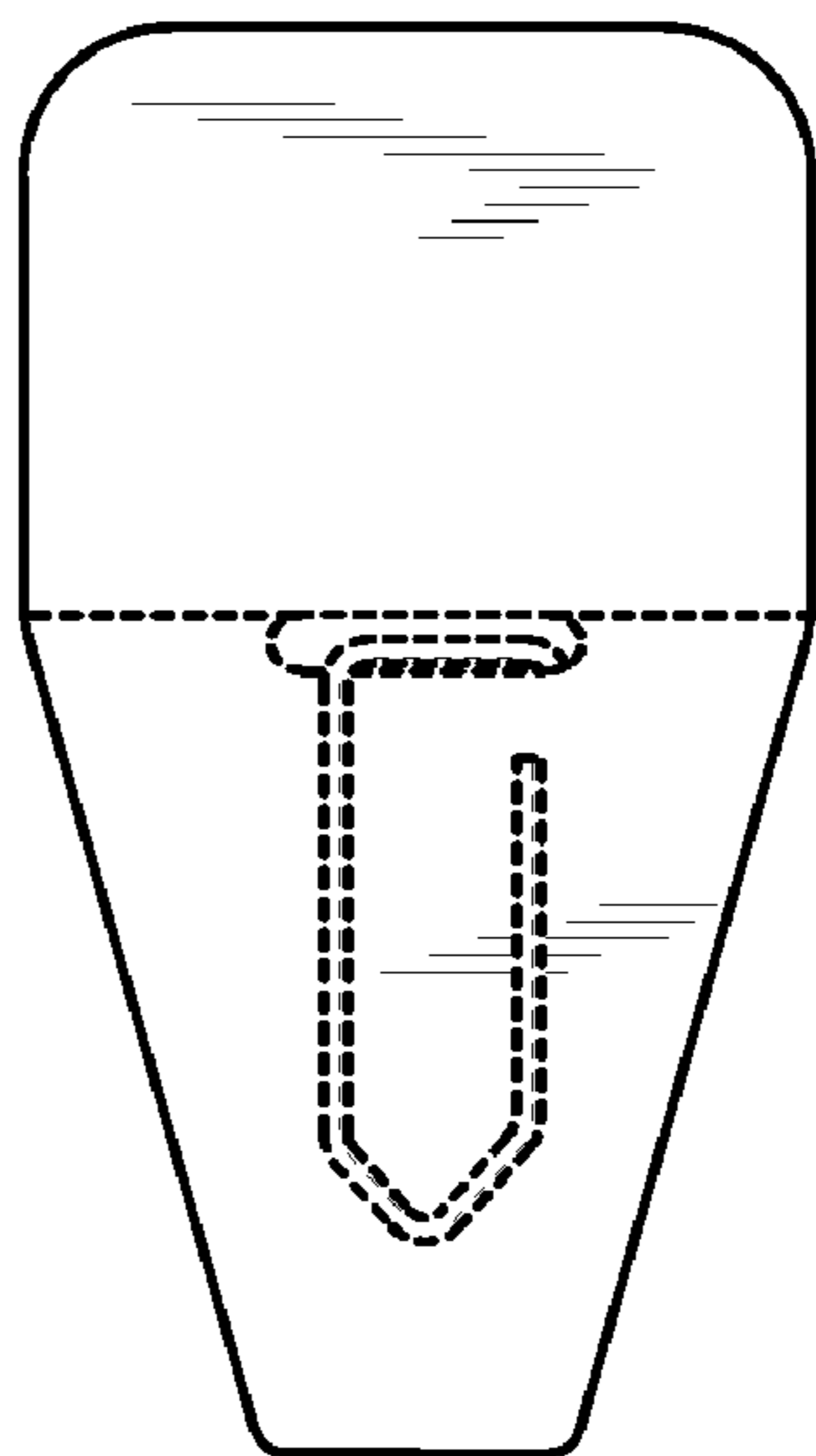
*FIG. 6*



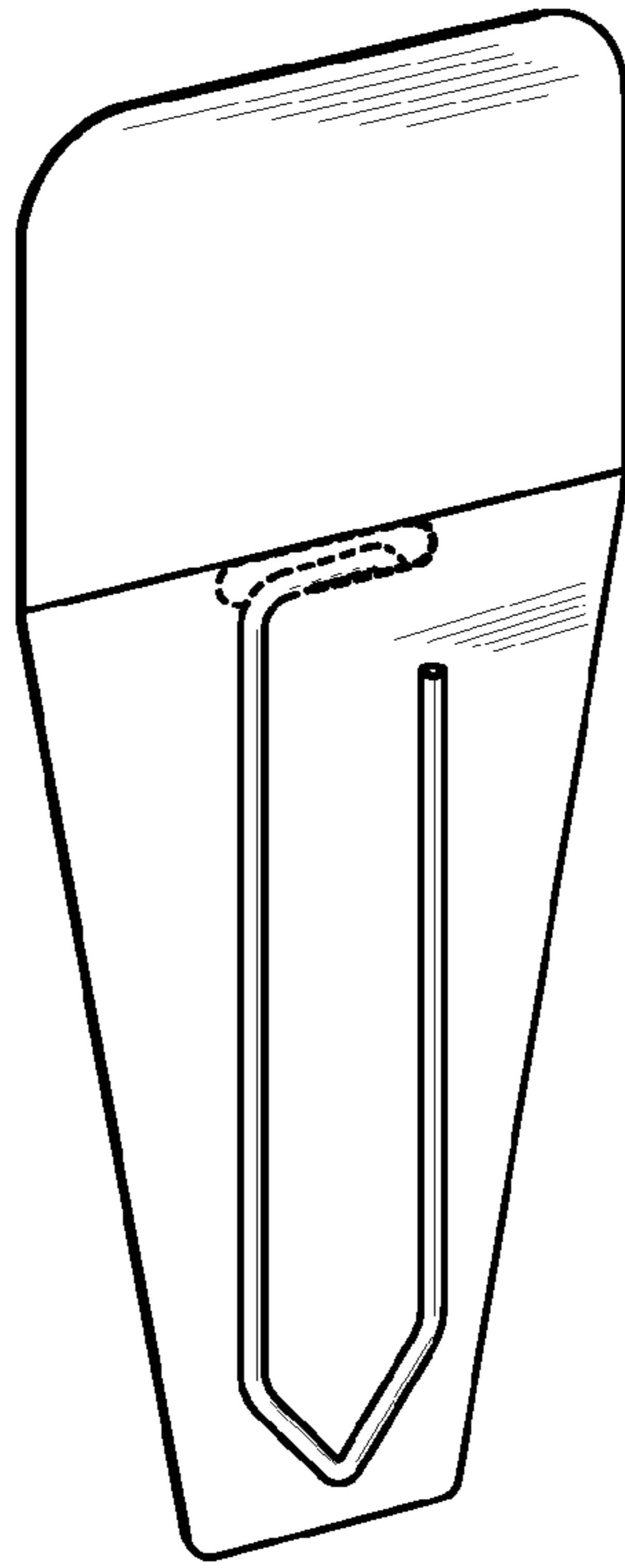
*FIG. 2*



*FIG. 3*



*FIG. 4*



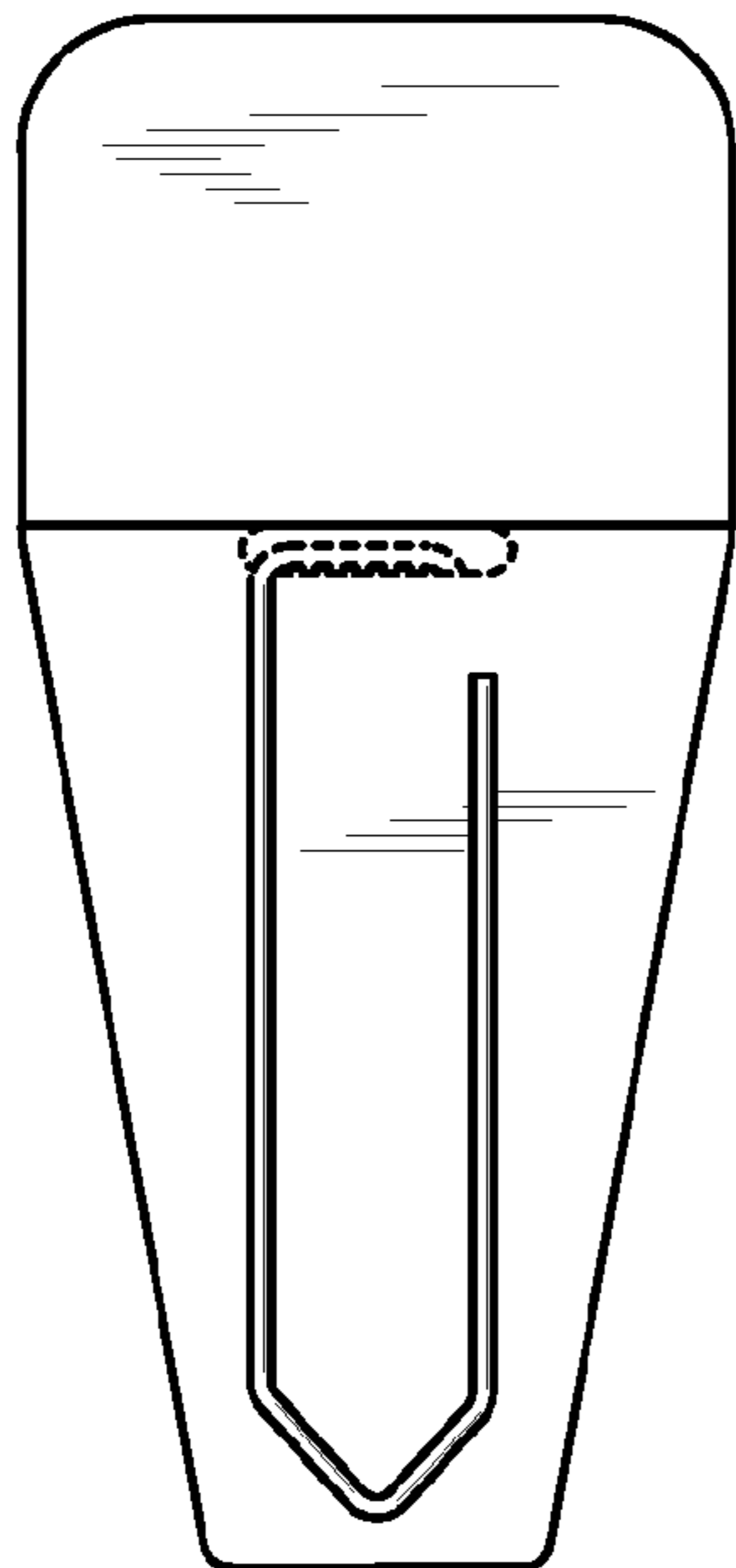
*FIG. 7*



*FIG. 11*



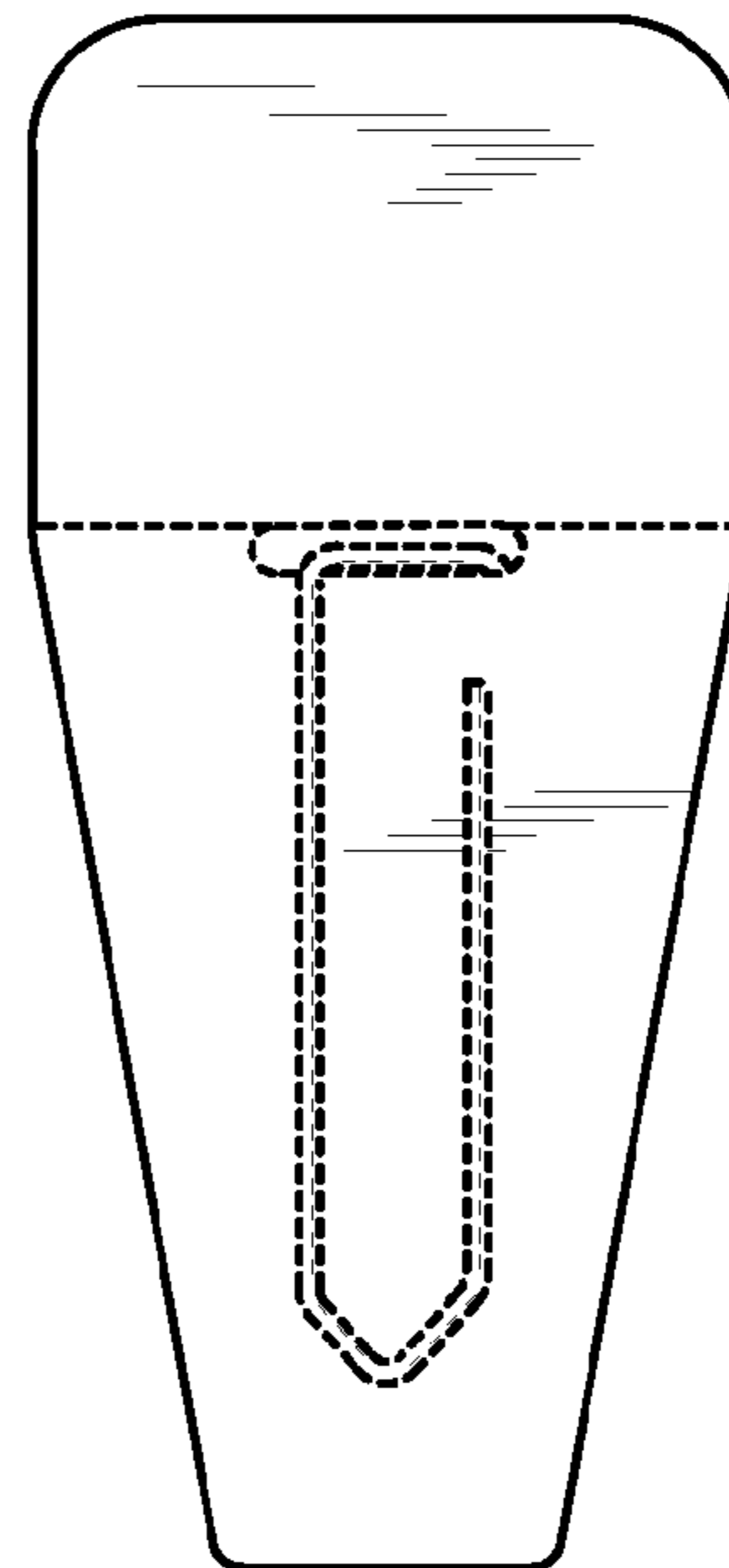
*FIG. 12*



*FIG. 8*



*FIG. 9*



*FIG. 10*

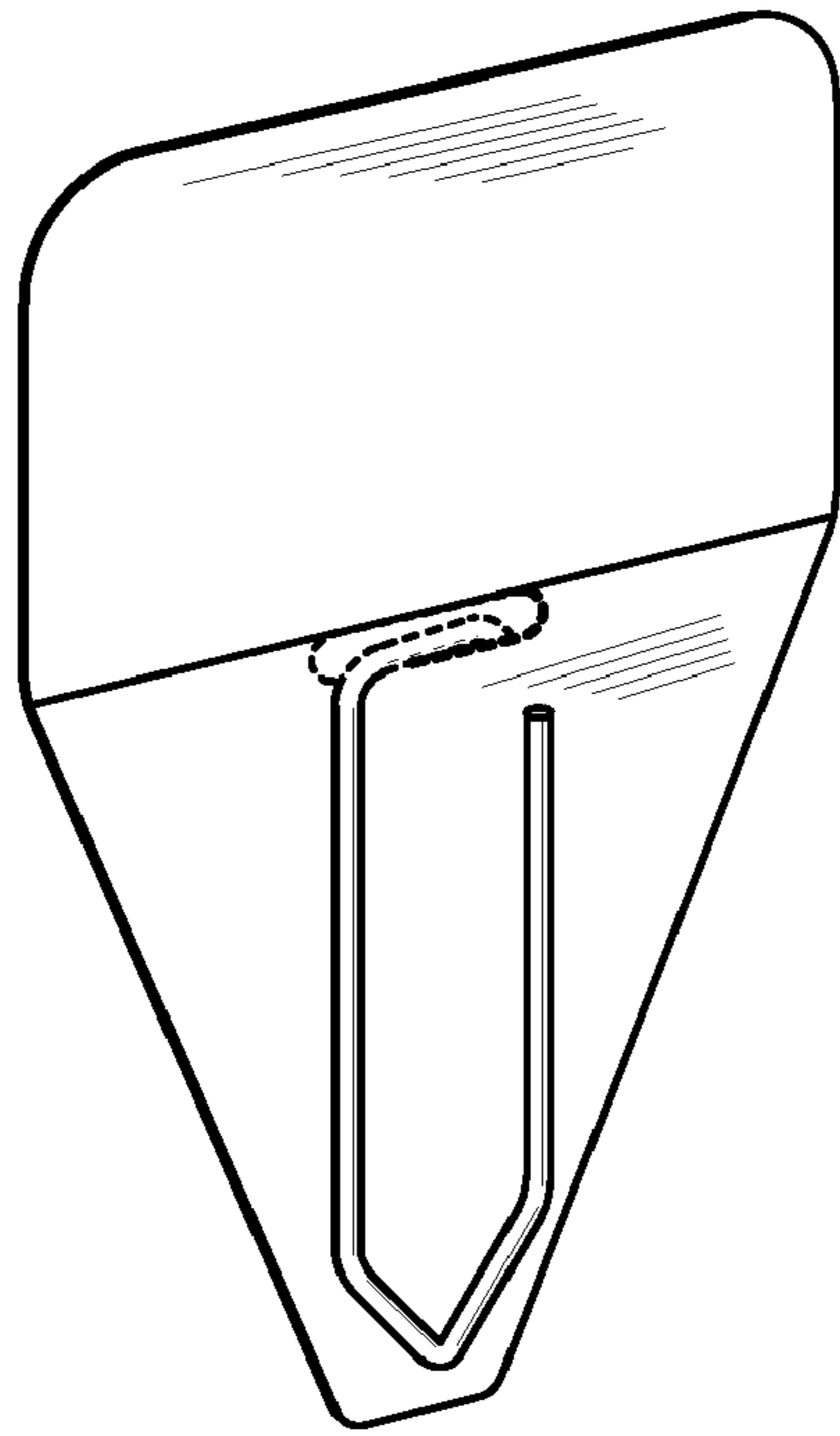


FIG. 13



FIG. 17



FIG. 18

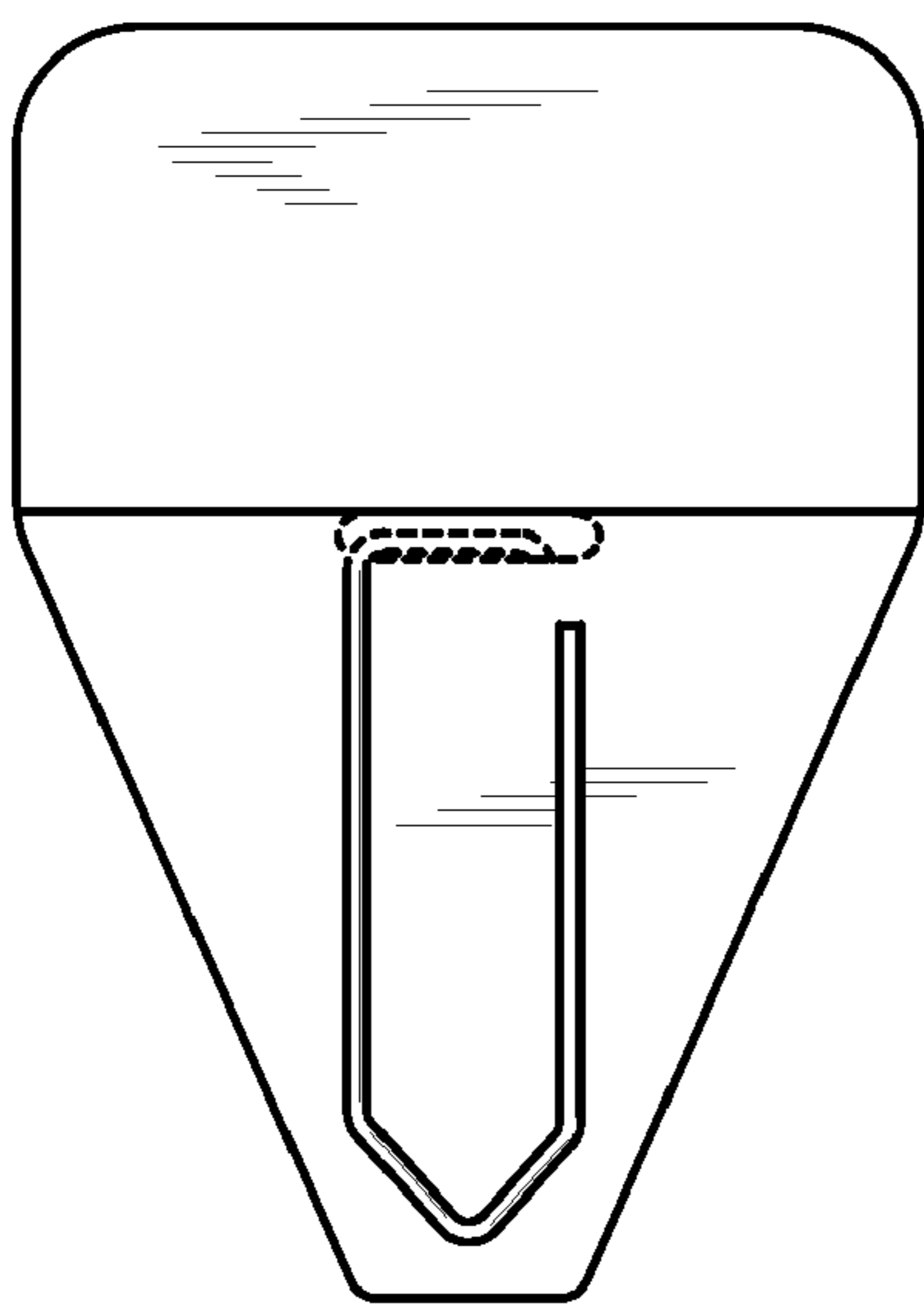


FIG. 14



FIG. 15

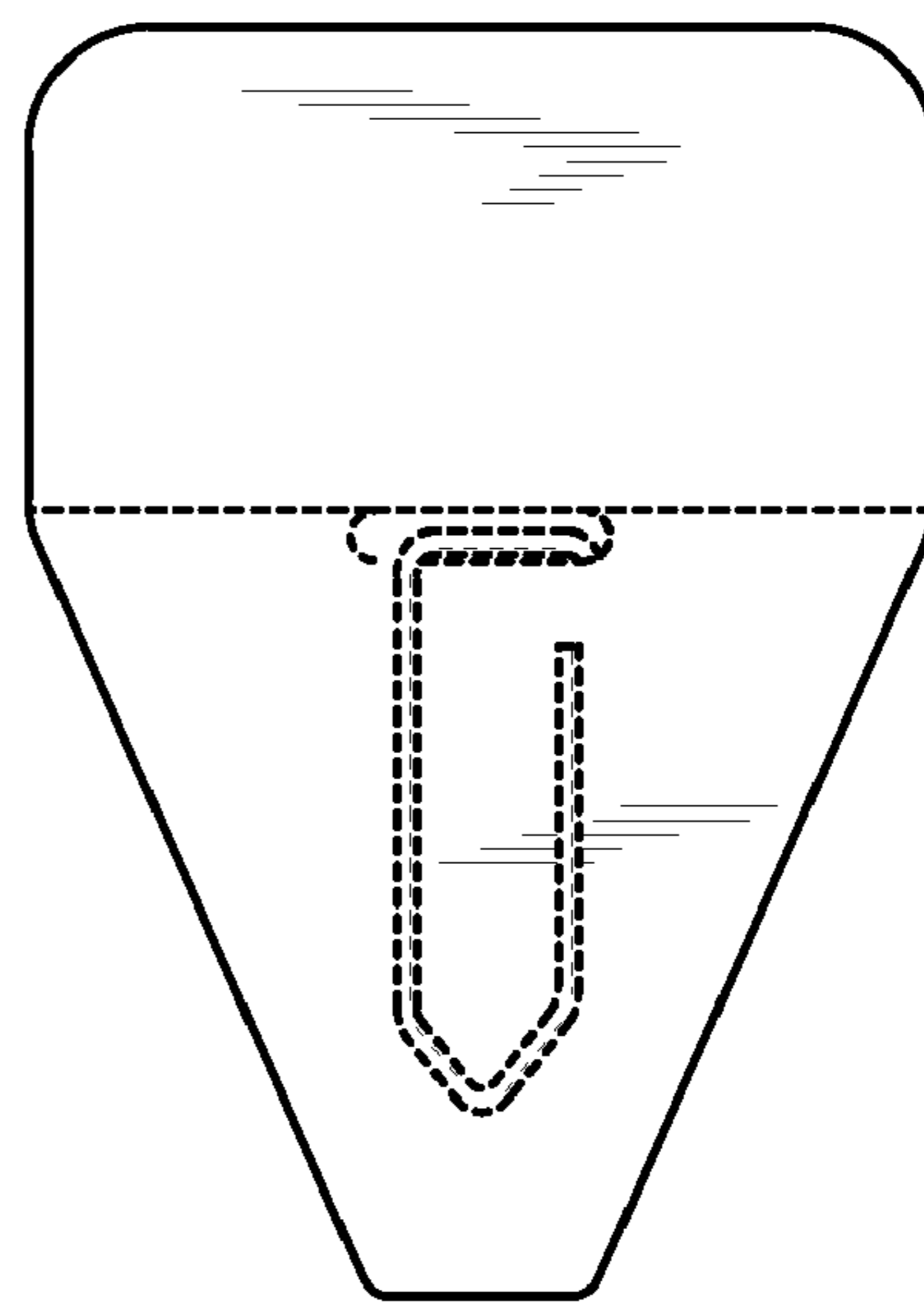


FIG. 16



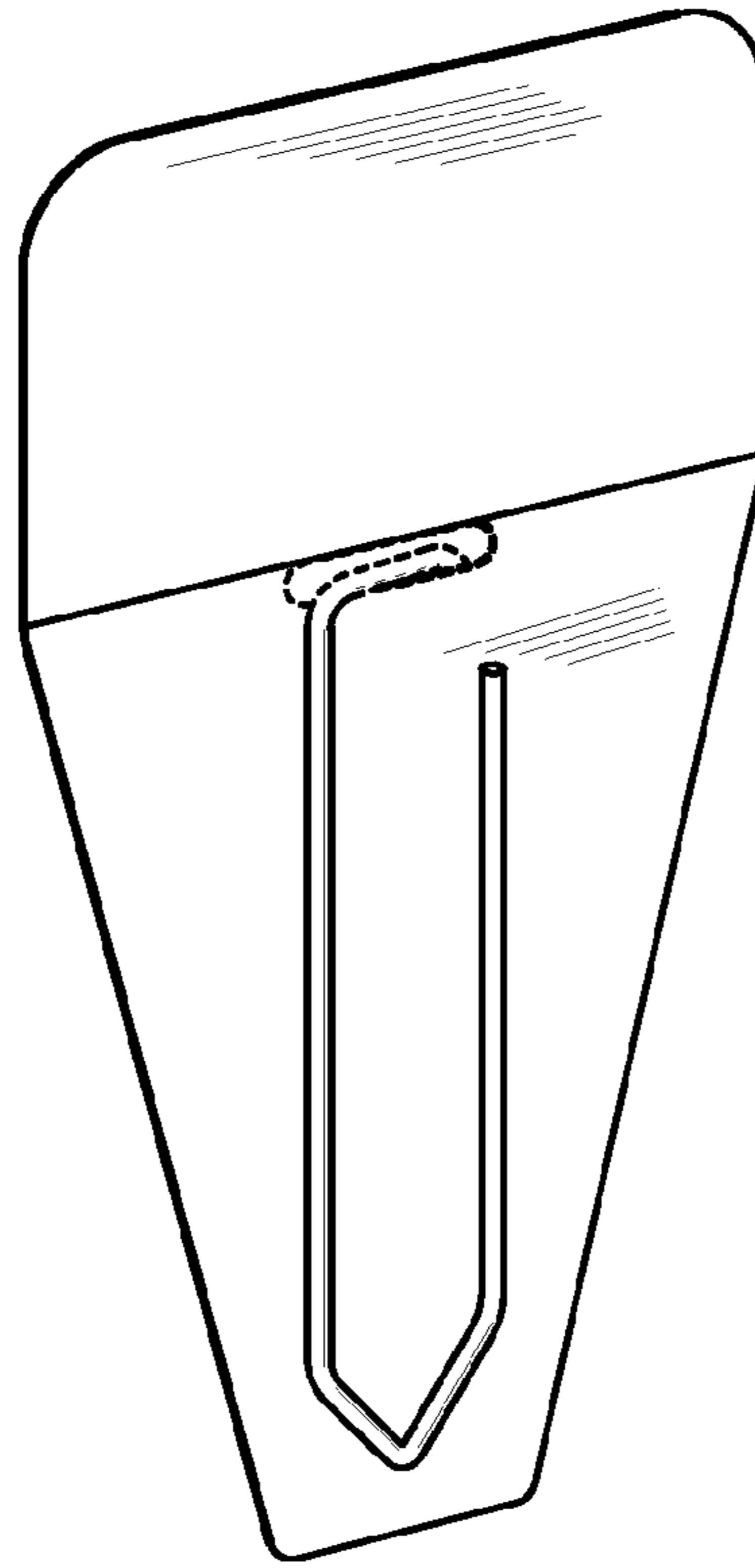


FIG. 19



FIG. 23



FIG. 24

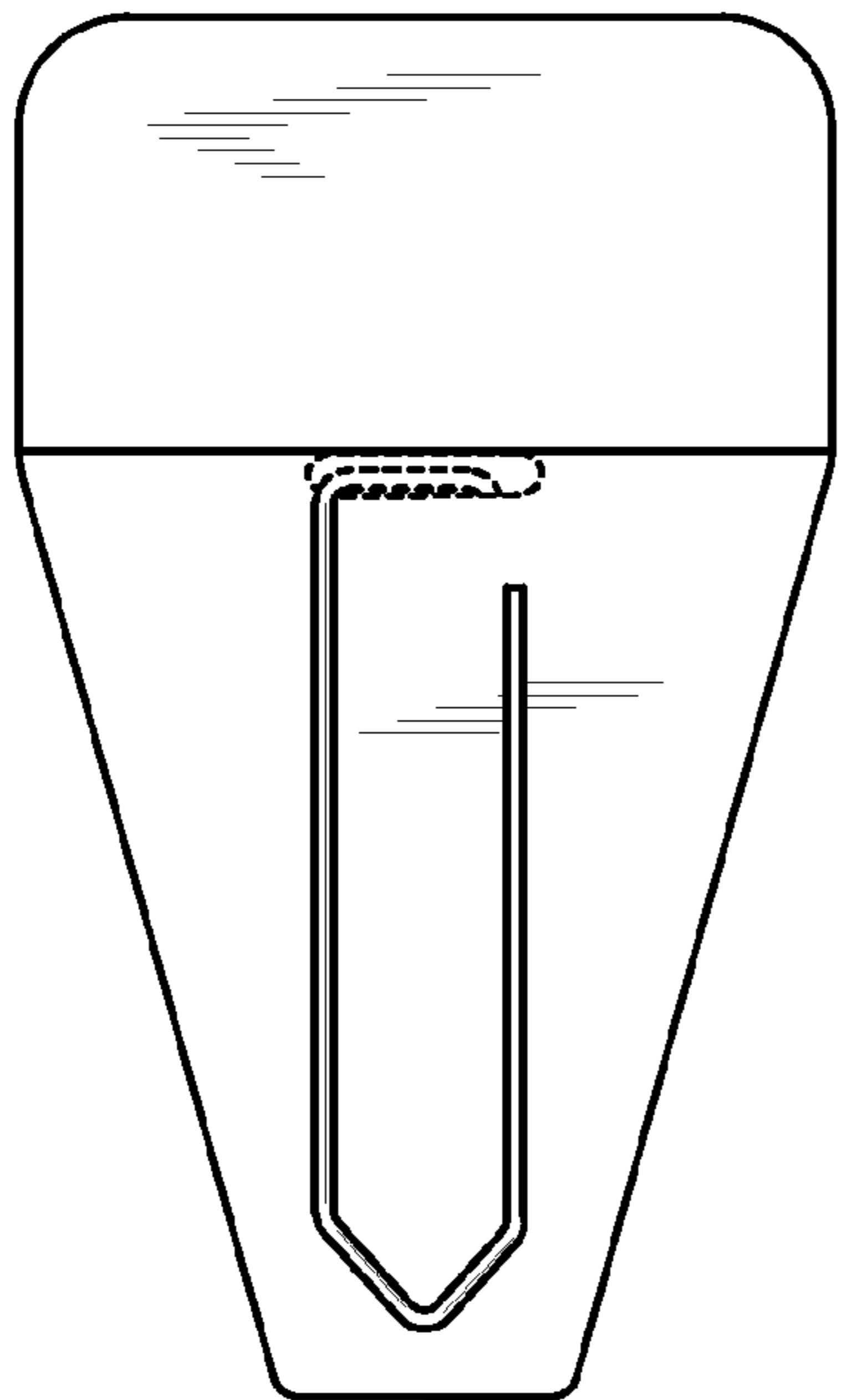


FIG. 20



FIG. 21

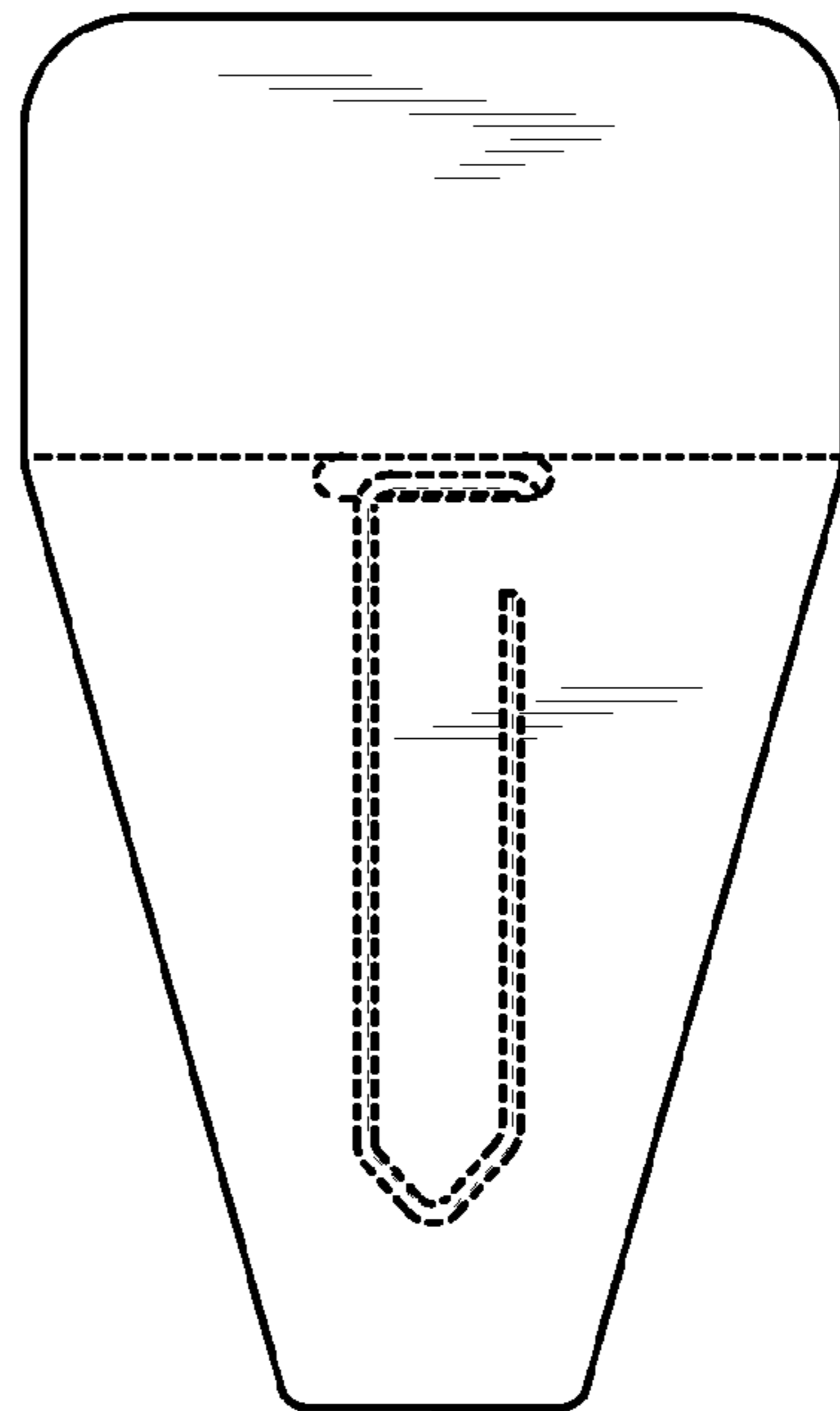


FIG. 22

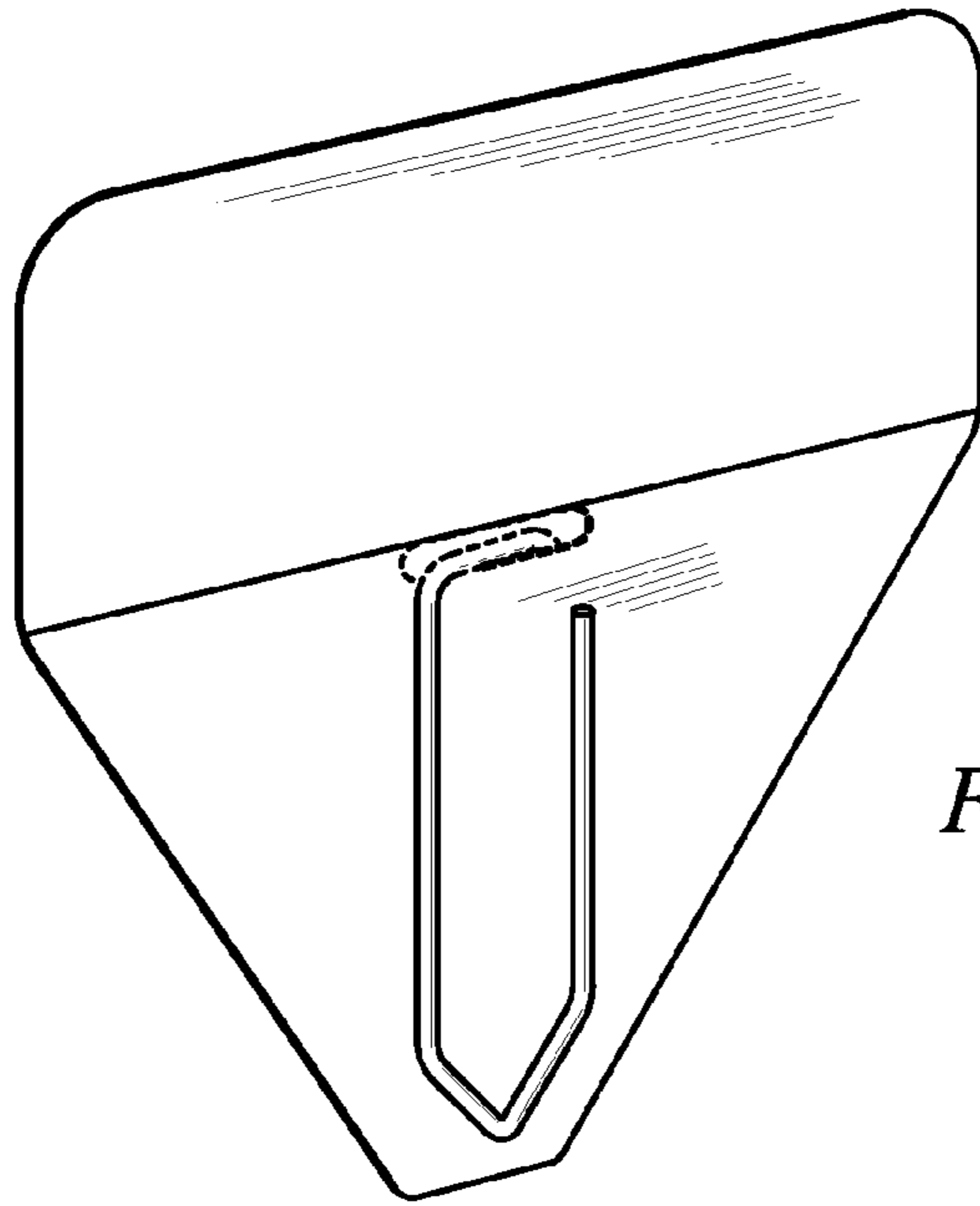


FIG. 25



FIG. 29



FIG. 30

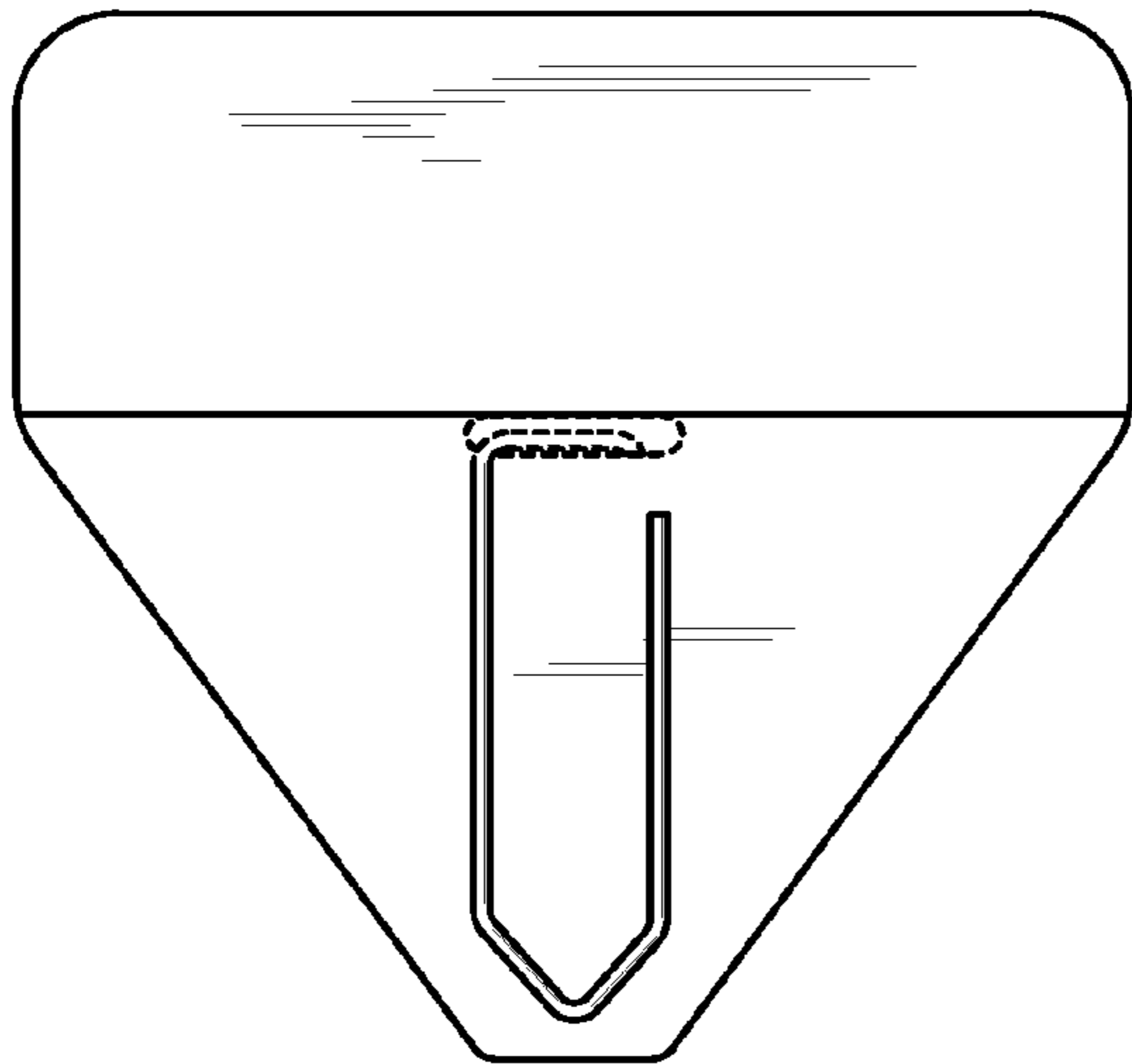


FIG. 26



FIG. 27

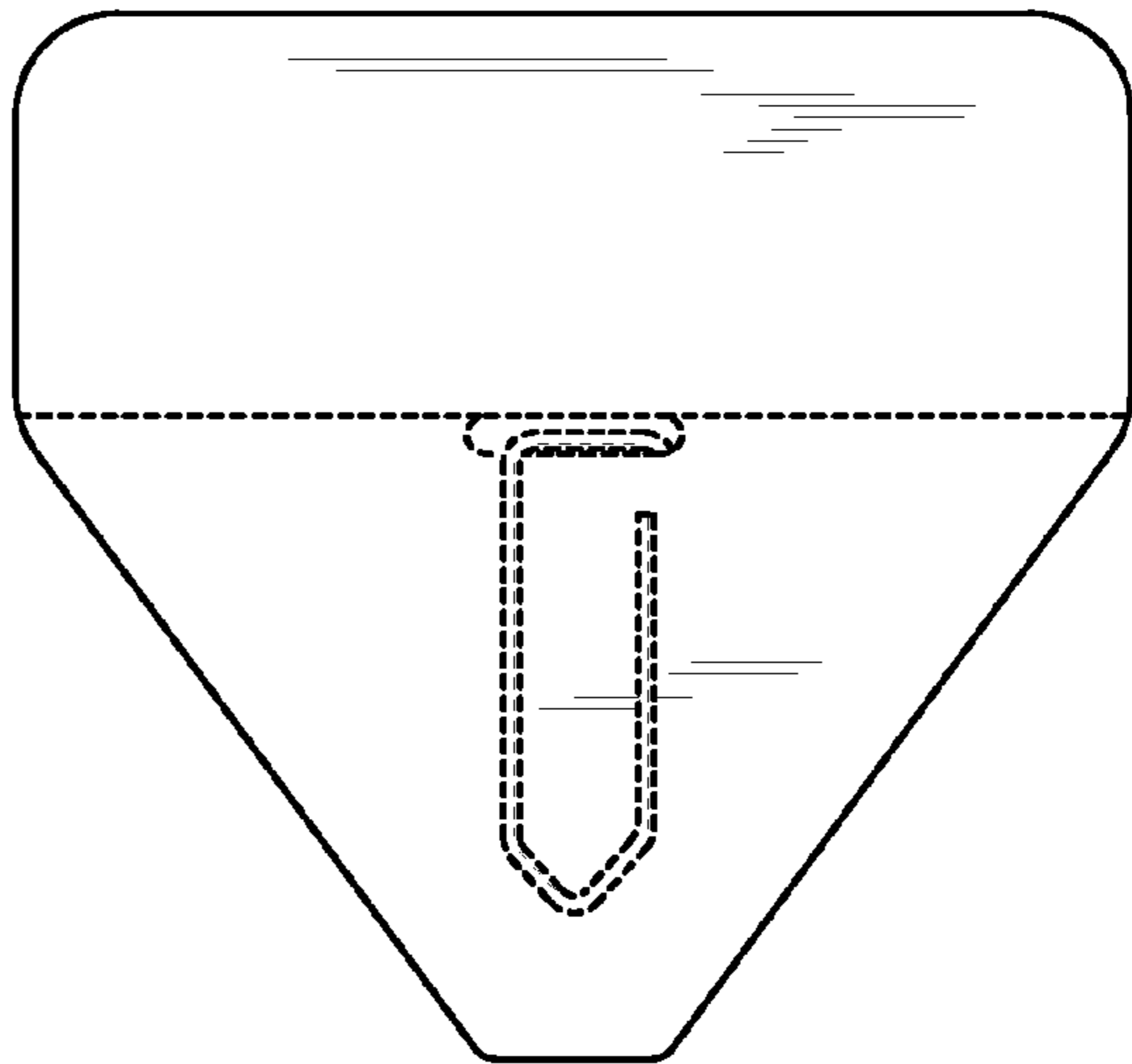


FIG. 28

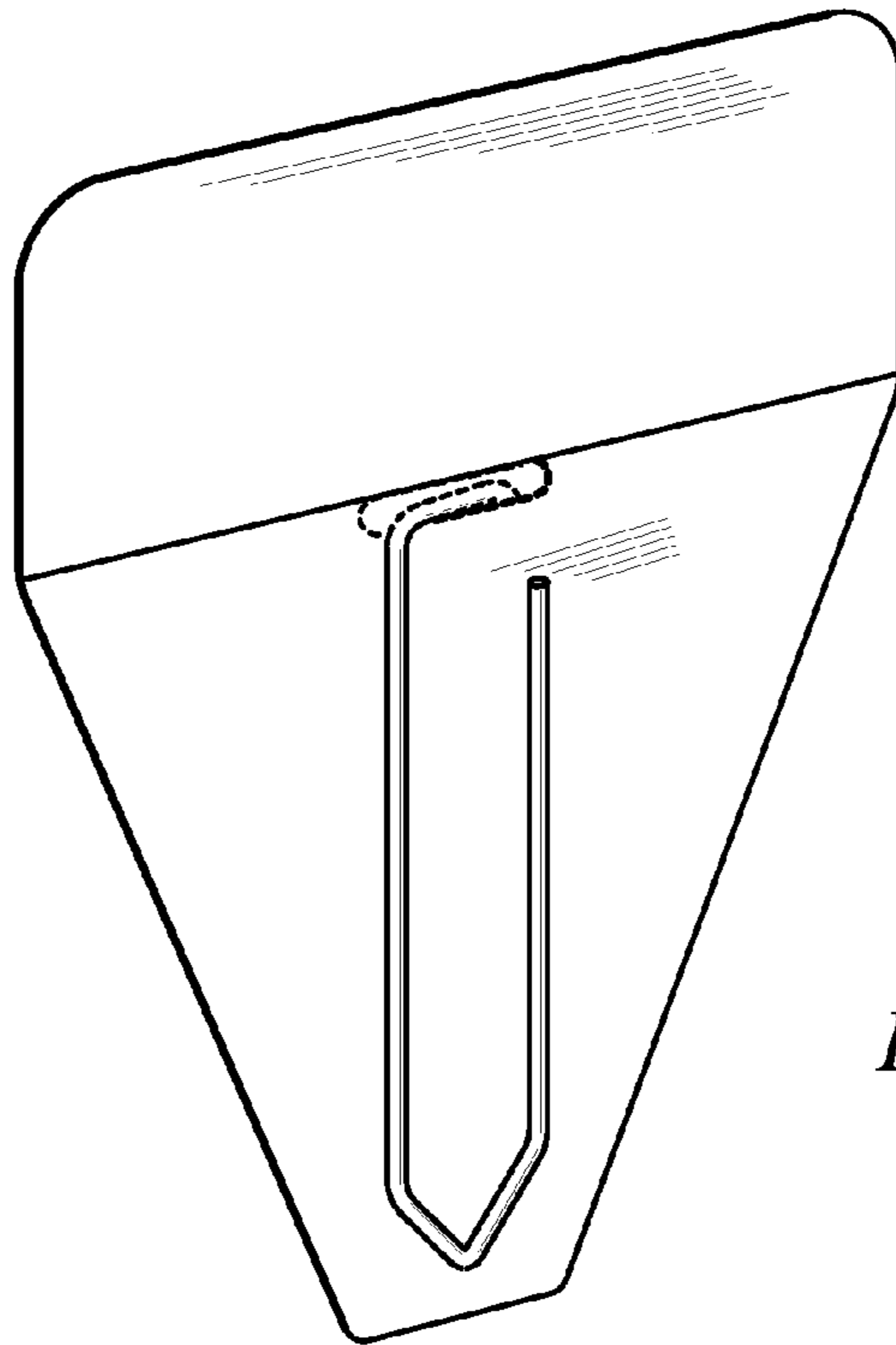


FIG. 31



FIG. 35



FIG. 36

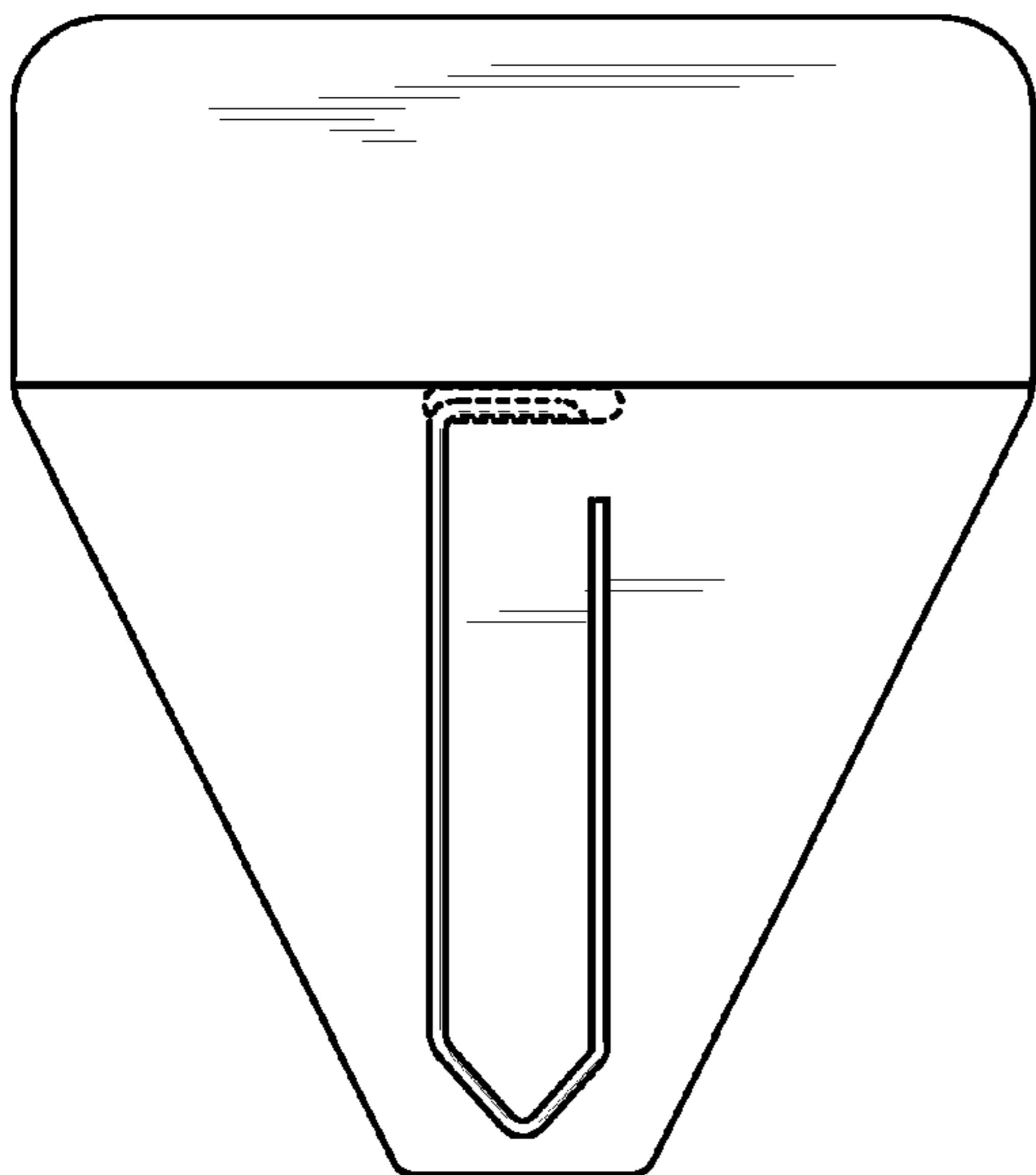


FIG. 32



FIG. 33

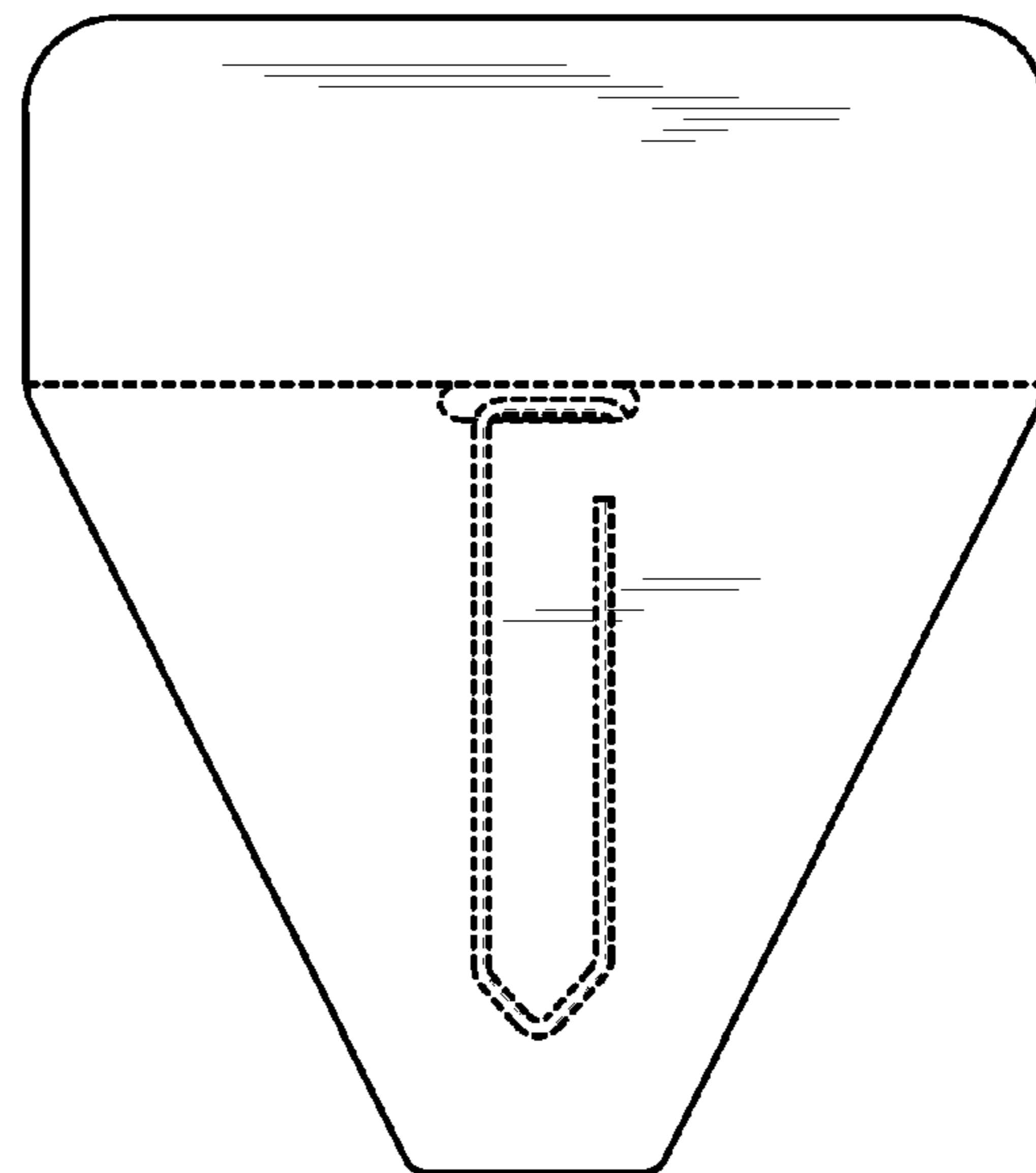
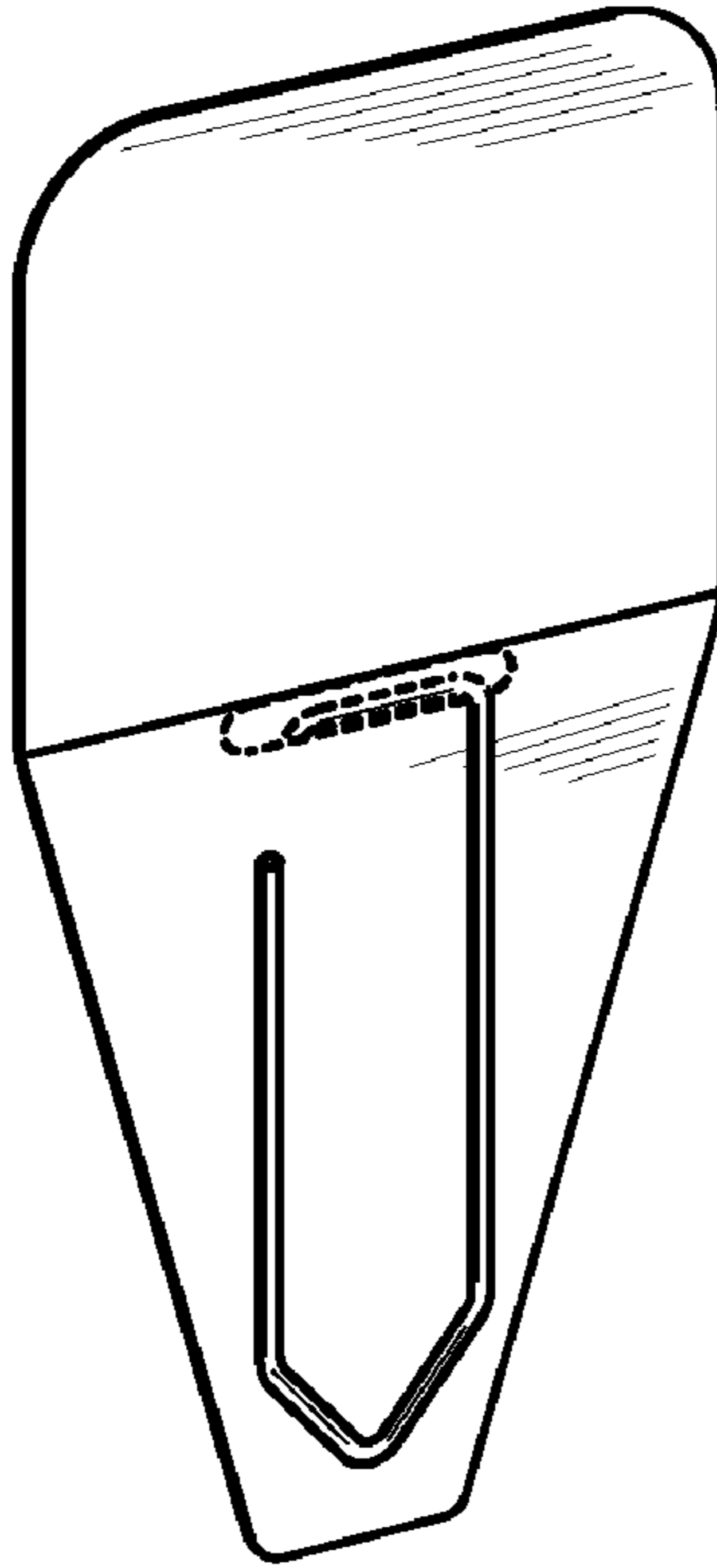


FIG. 34



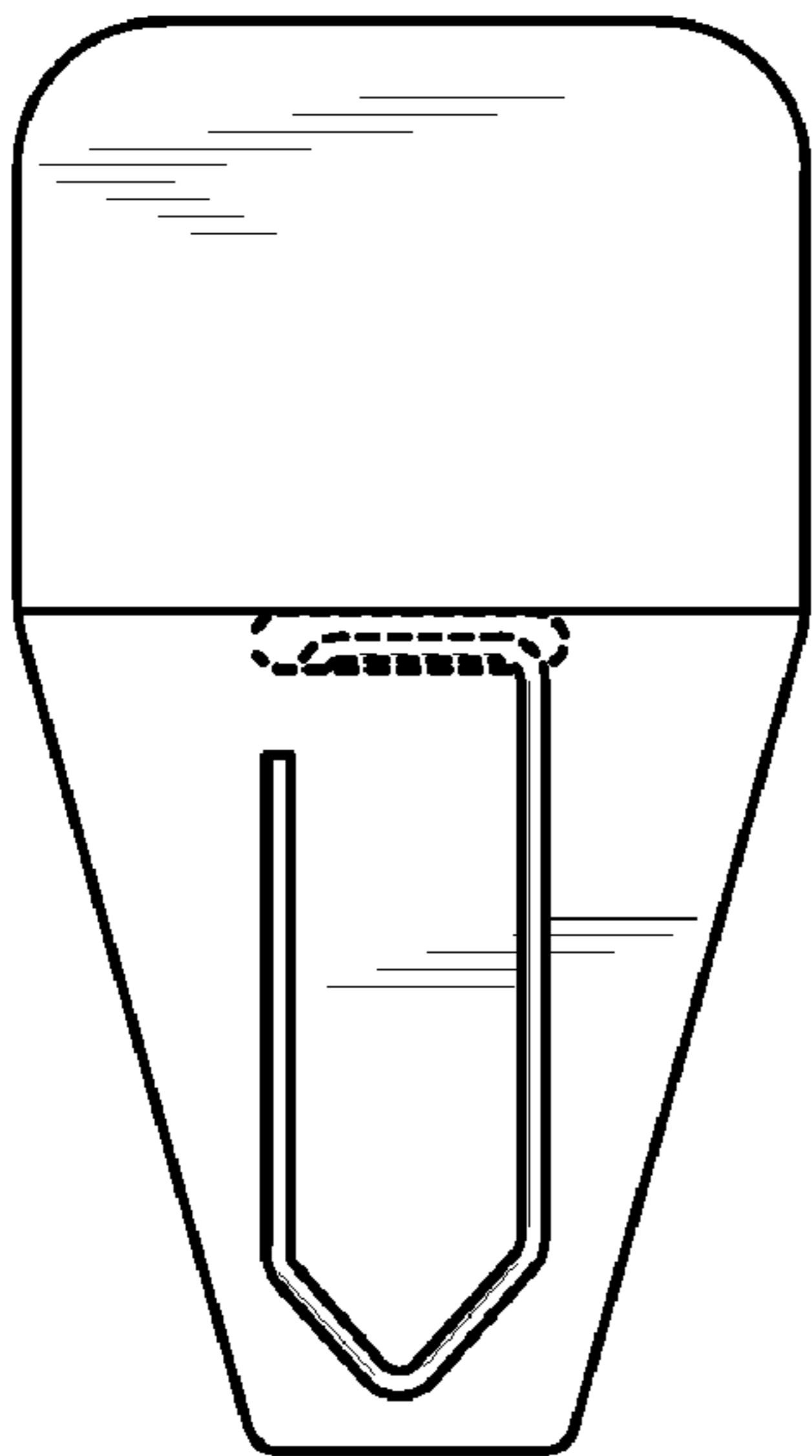
*FIG. 37*



*FIG. 41*



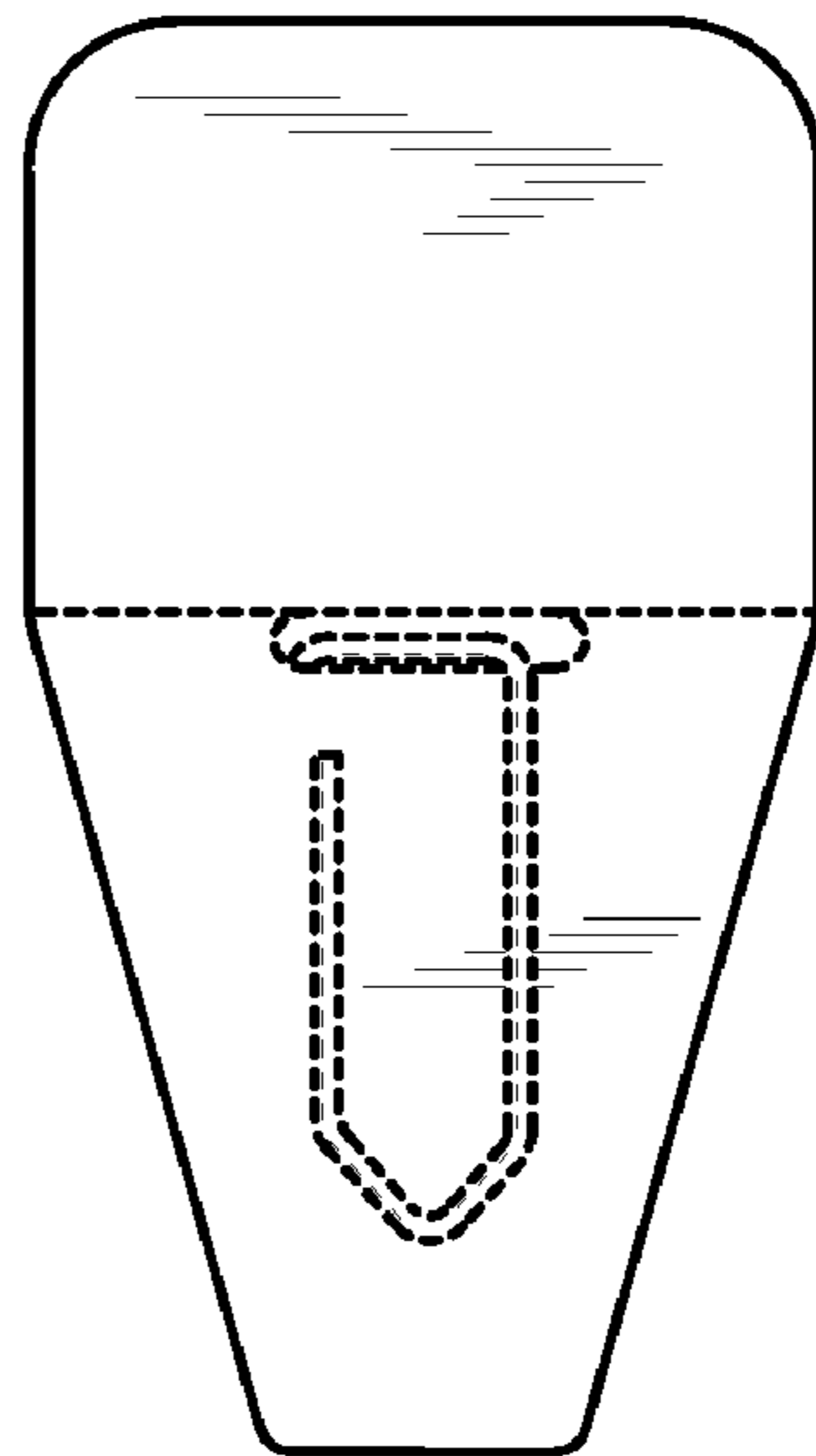
*FIG. 42*



*FIG. 38*



*FIG. 39*



*FIG. 40*

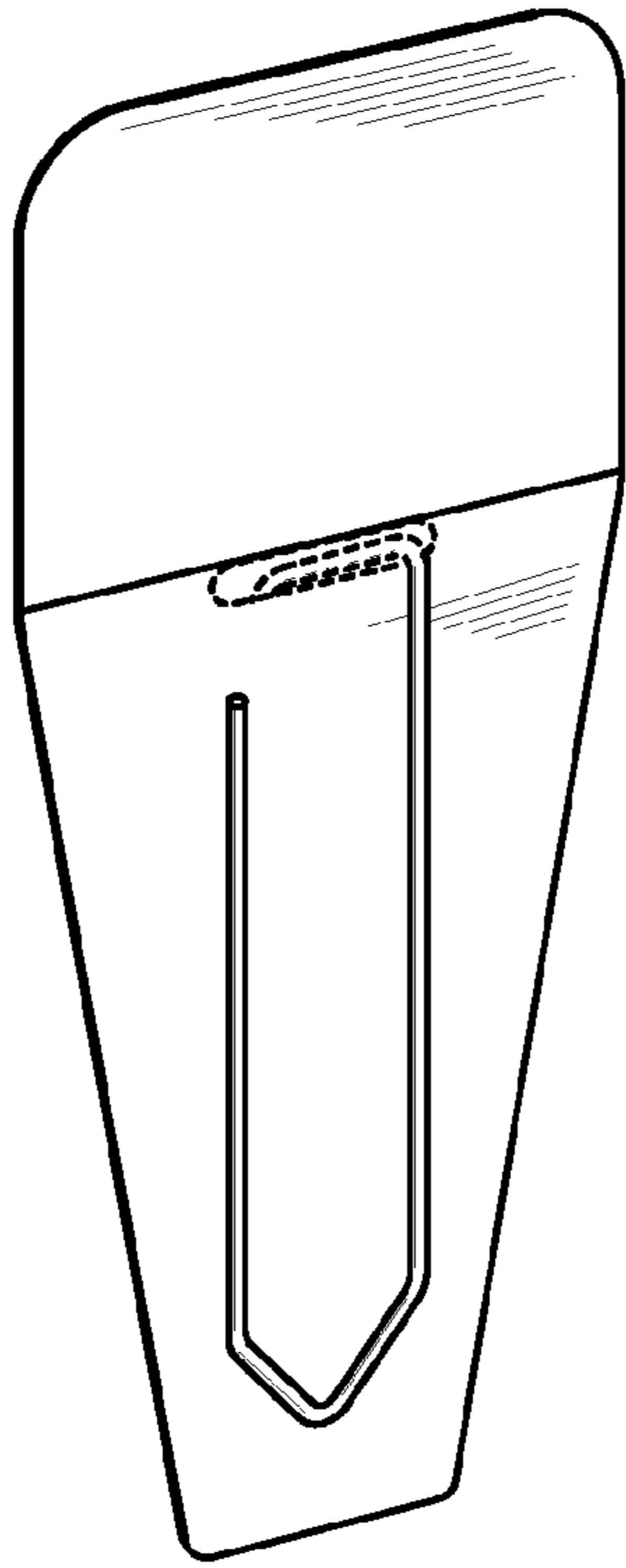


FIG. 43



FIG. 47



FIG. 48

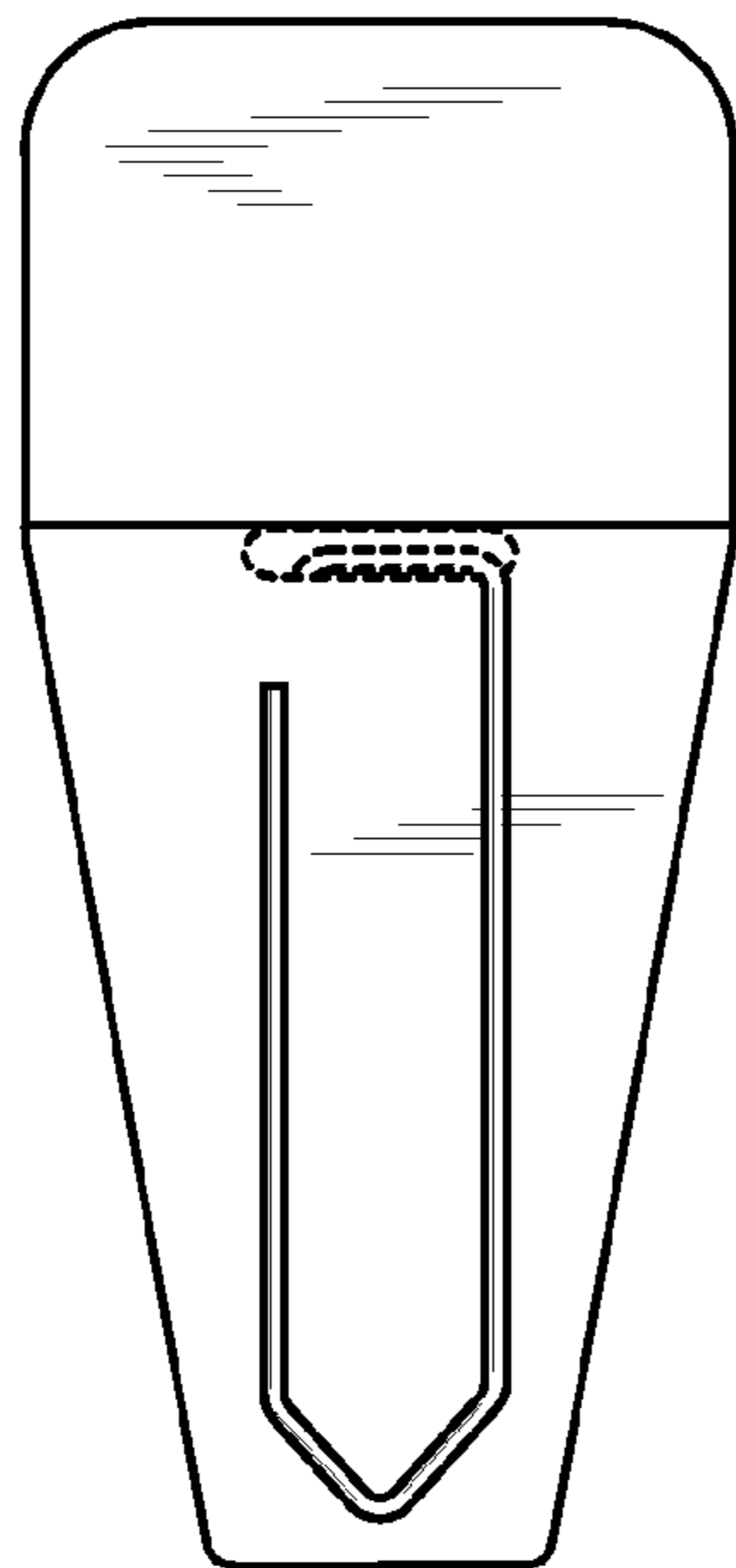


FIG. 44



FIG. 45

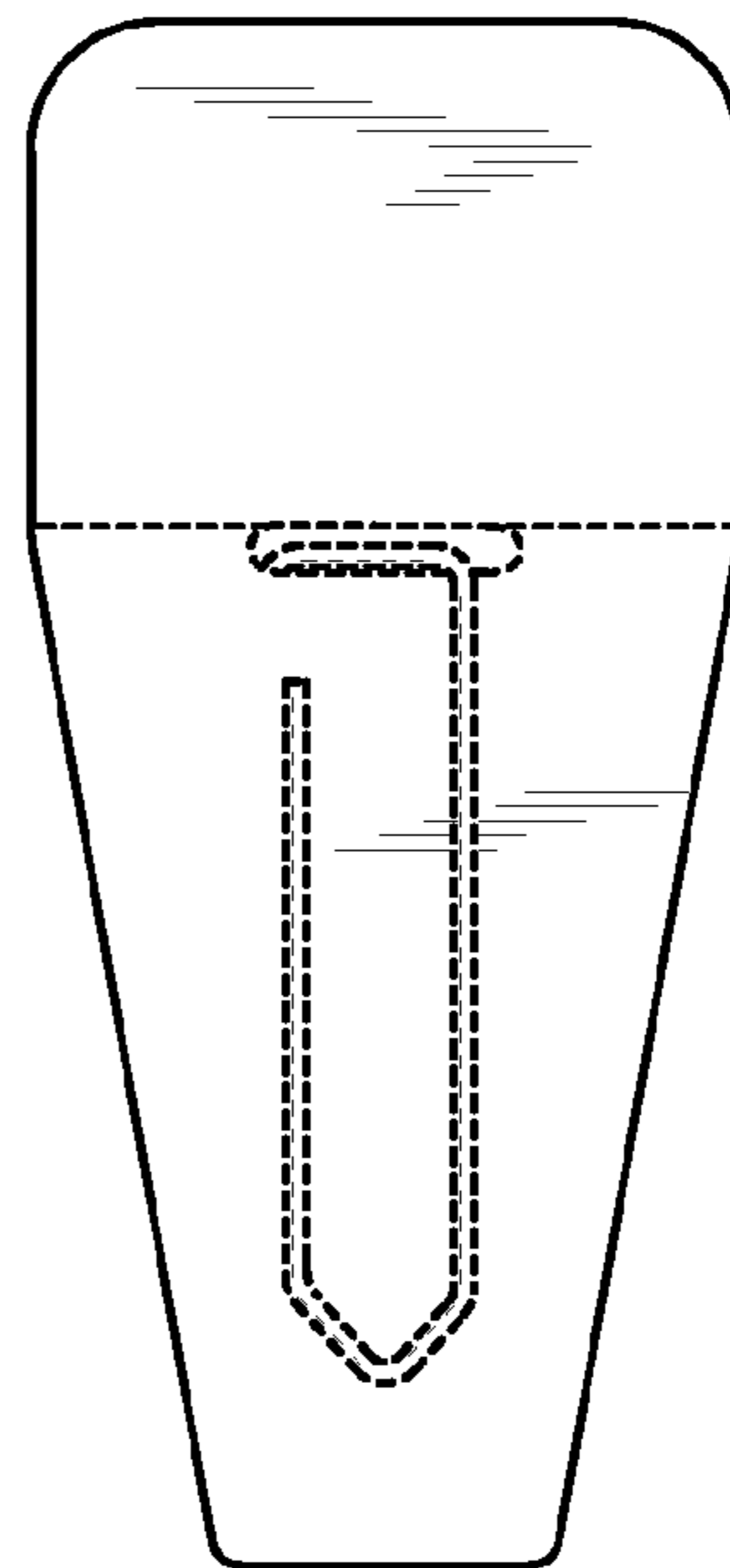


FIG. 46

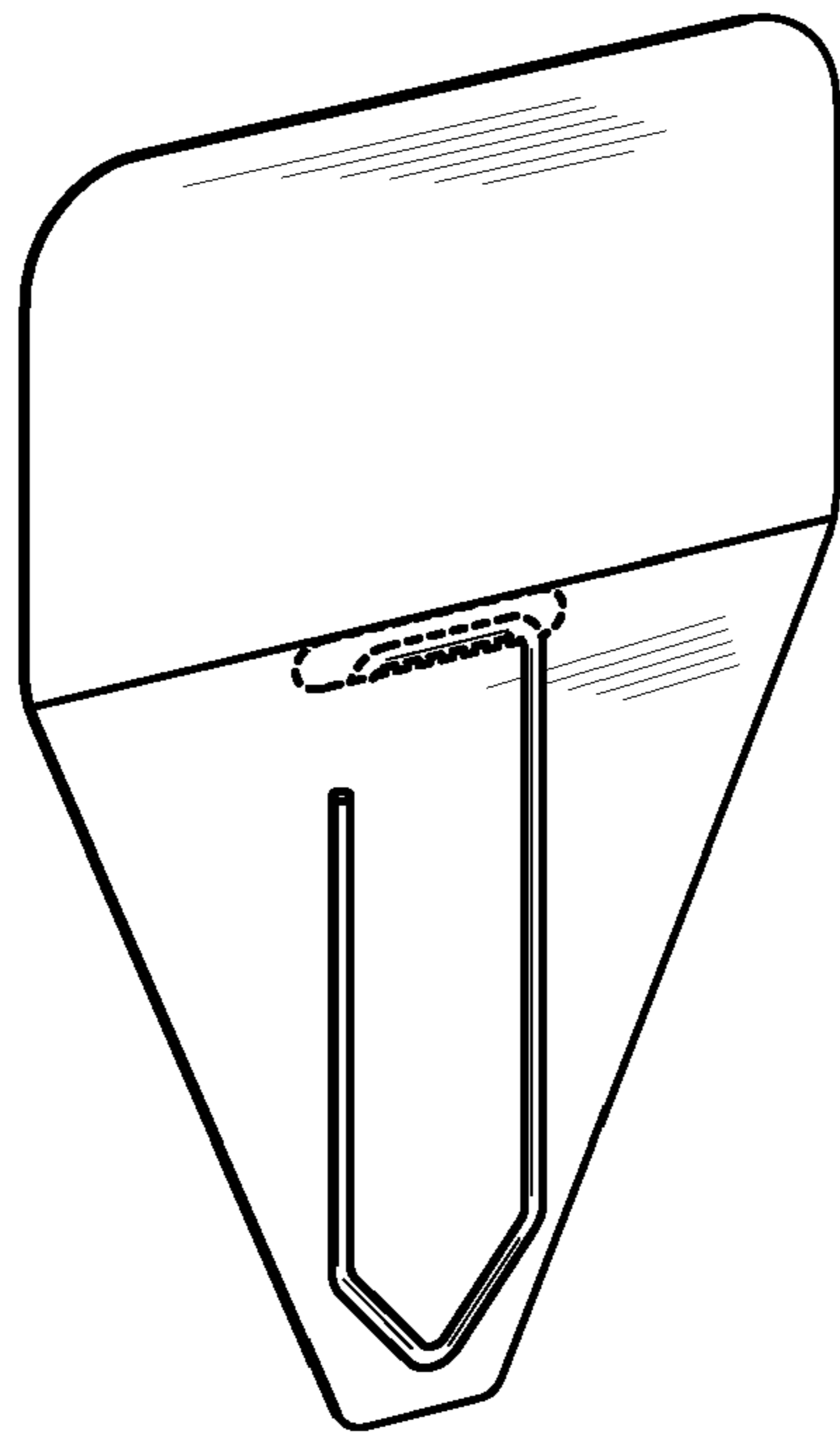


FIG. 49



FIG. 53



FIG. 54

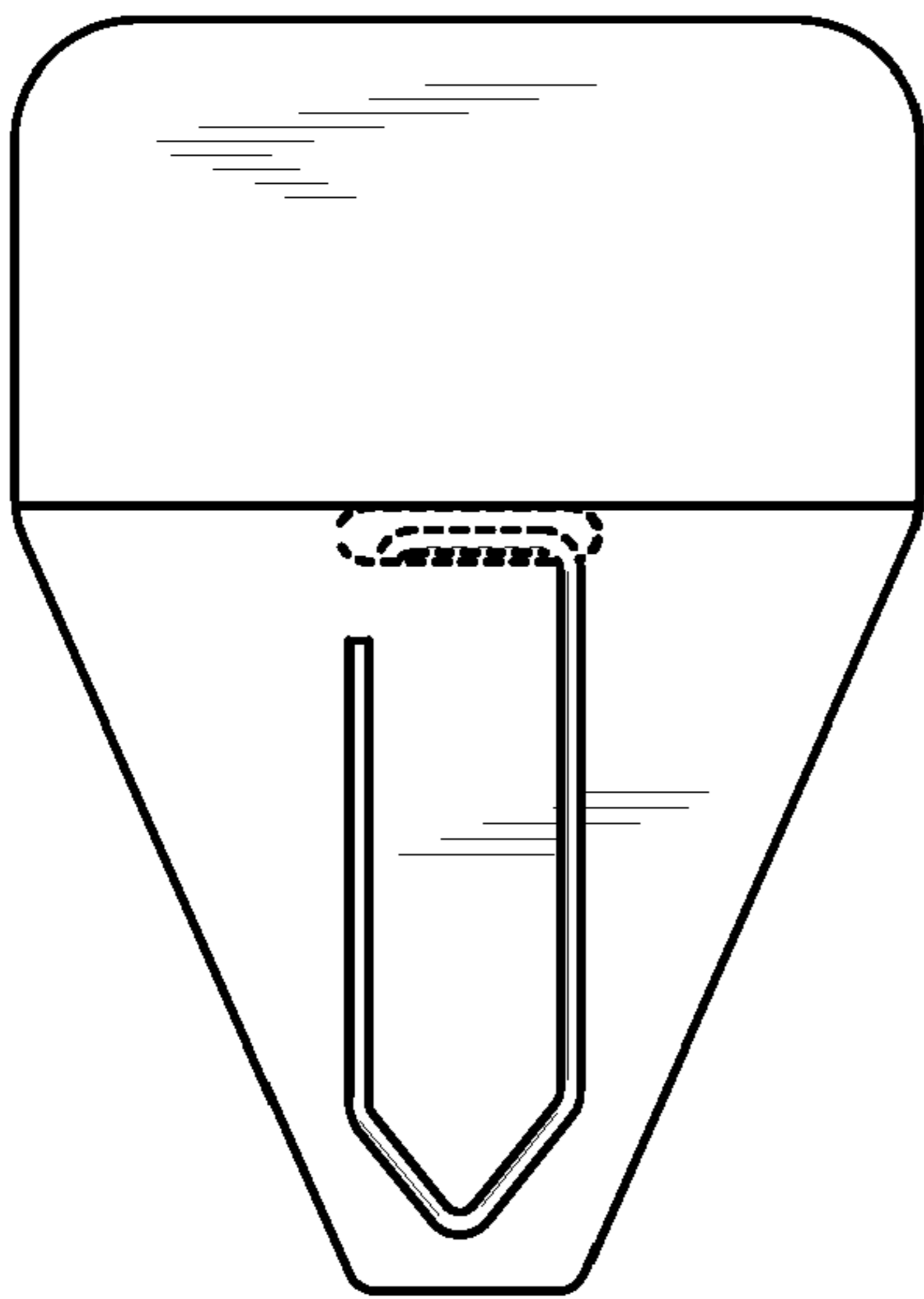


FIG. 50



FIG. 51

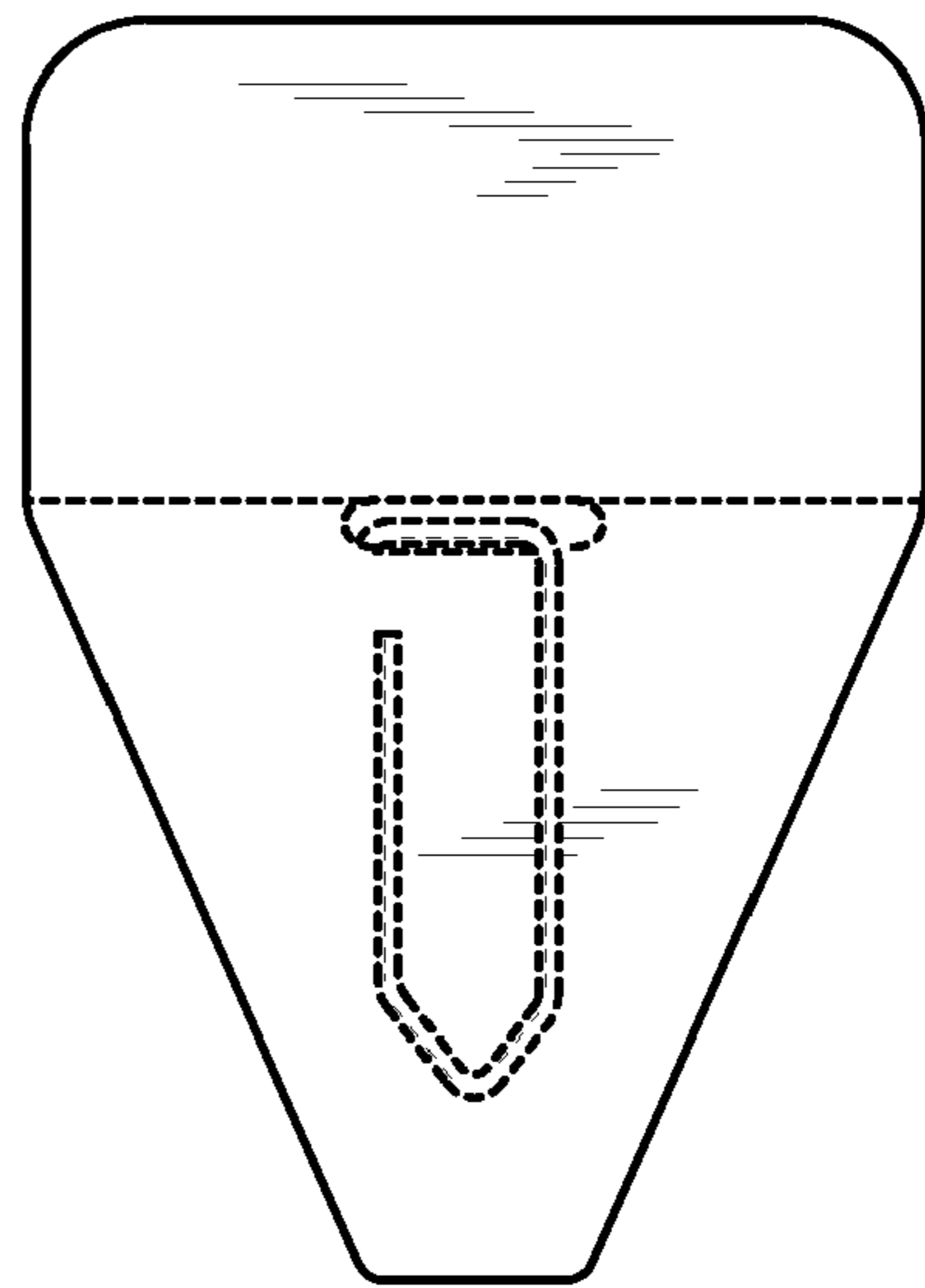
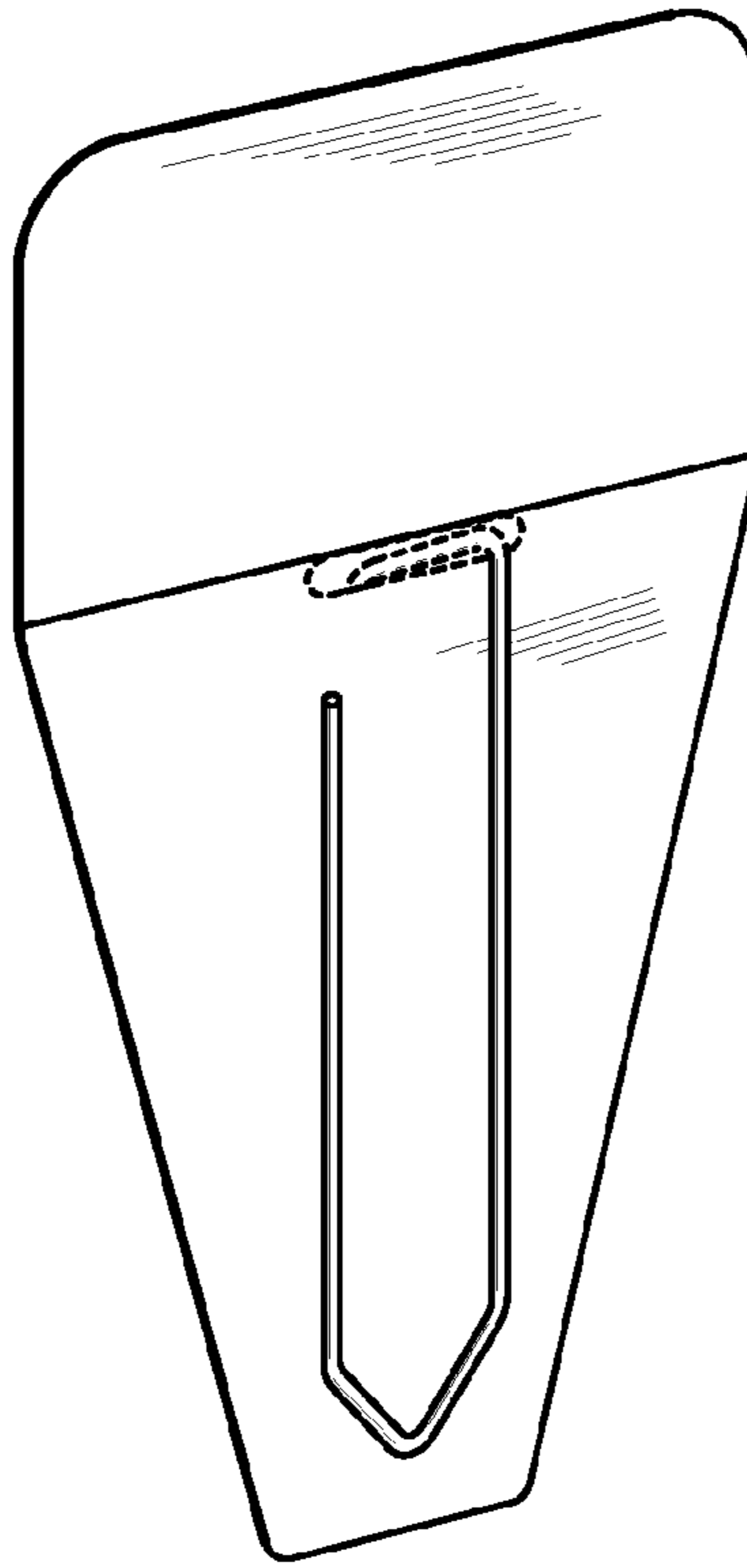


FIG. 52



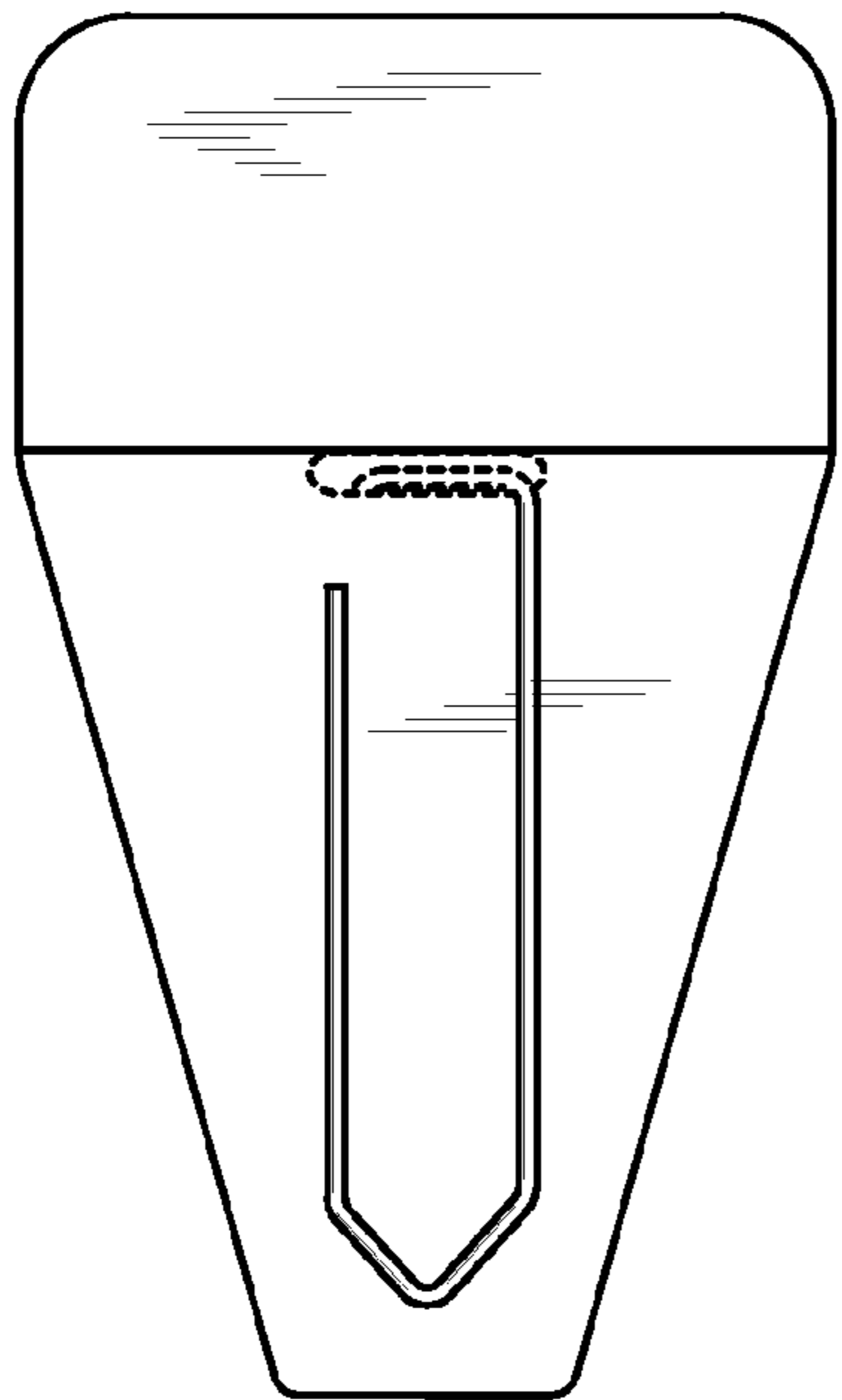
*FIG. 55*



*FIG. 59*



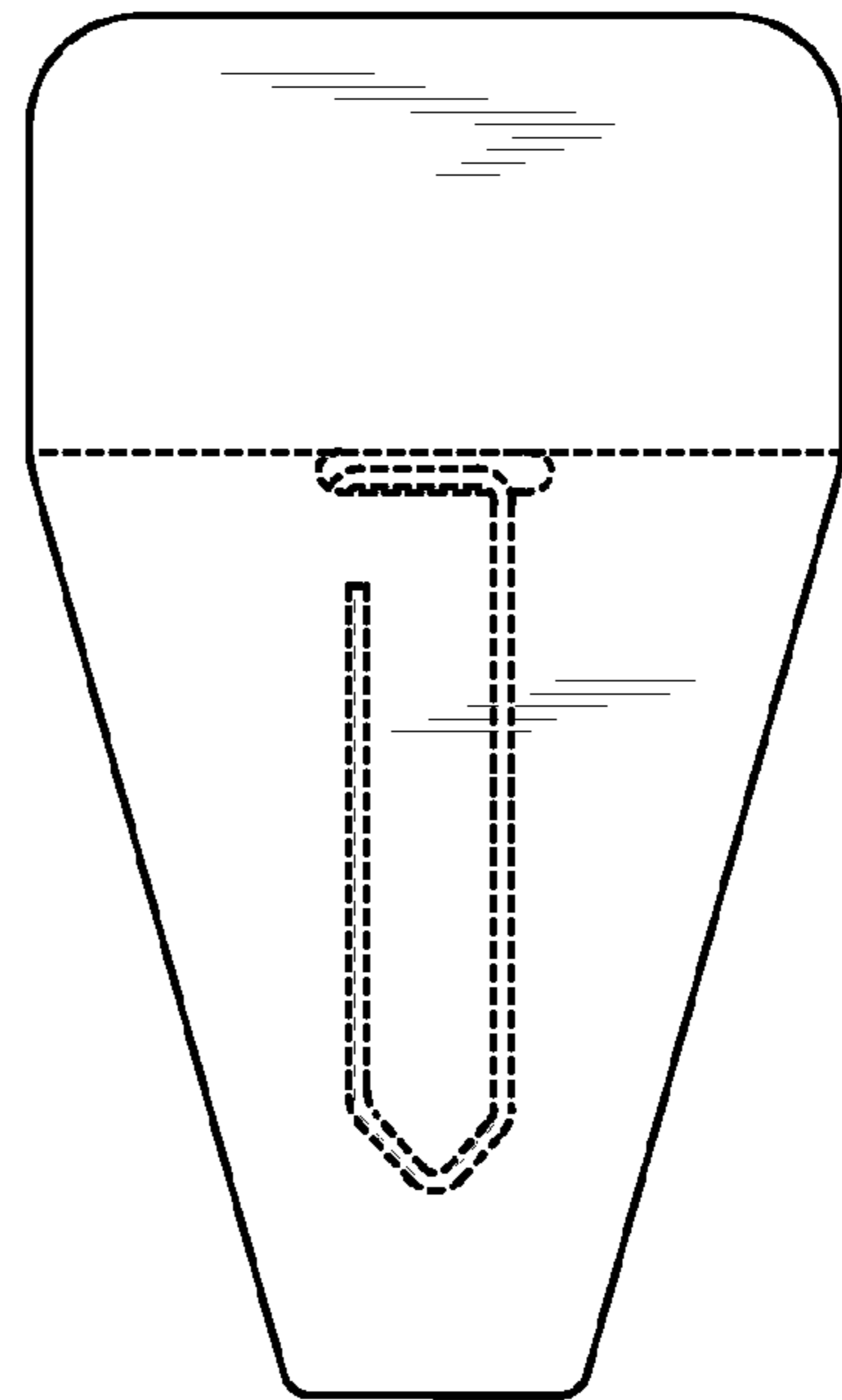
*FIG. 60*



*FIG. 56*



*FIG. 57*



*FIG. 58*

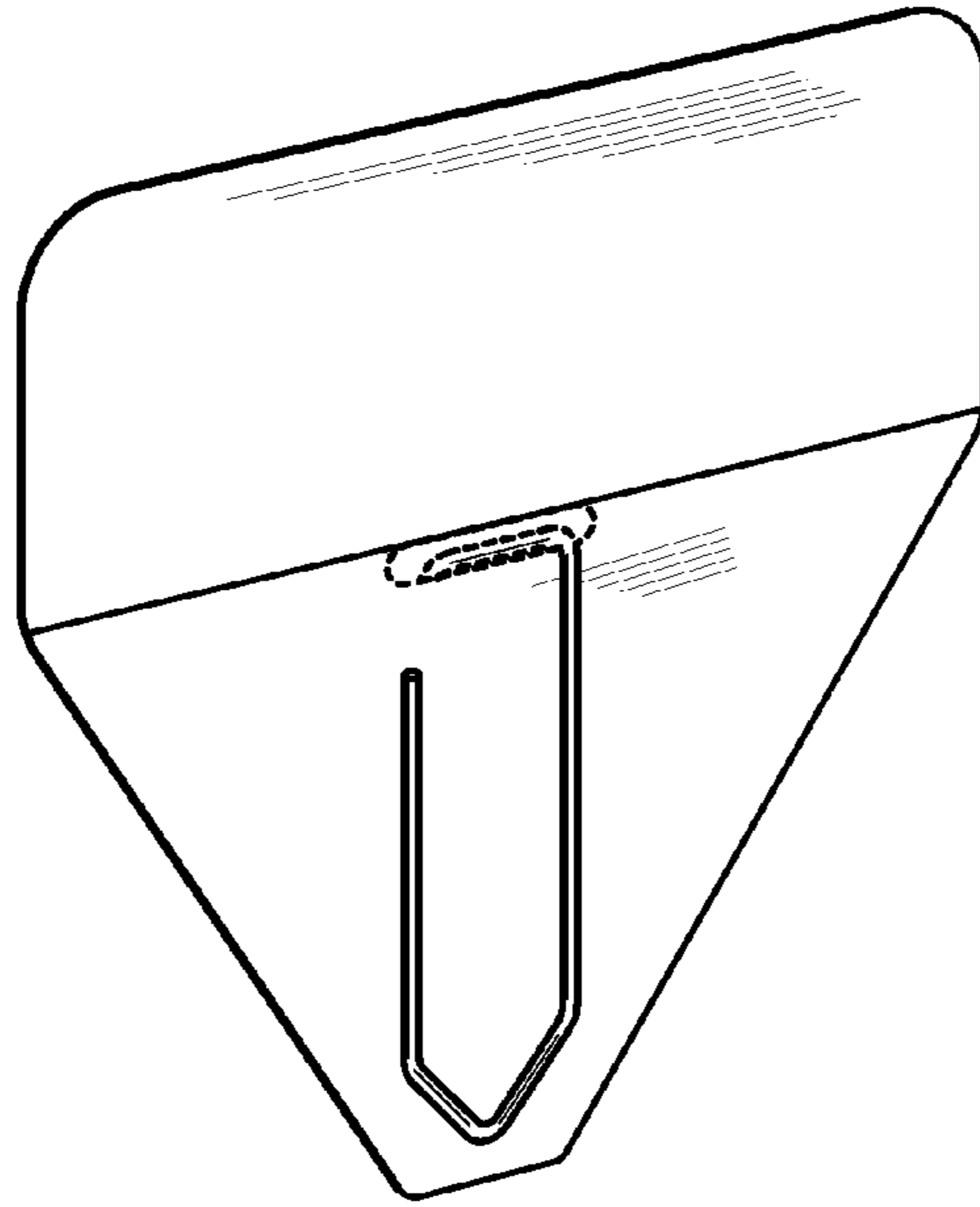


FIG. 61



FIG. 65



FIG. 66

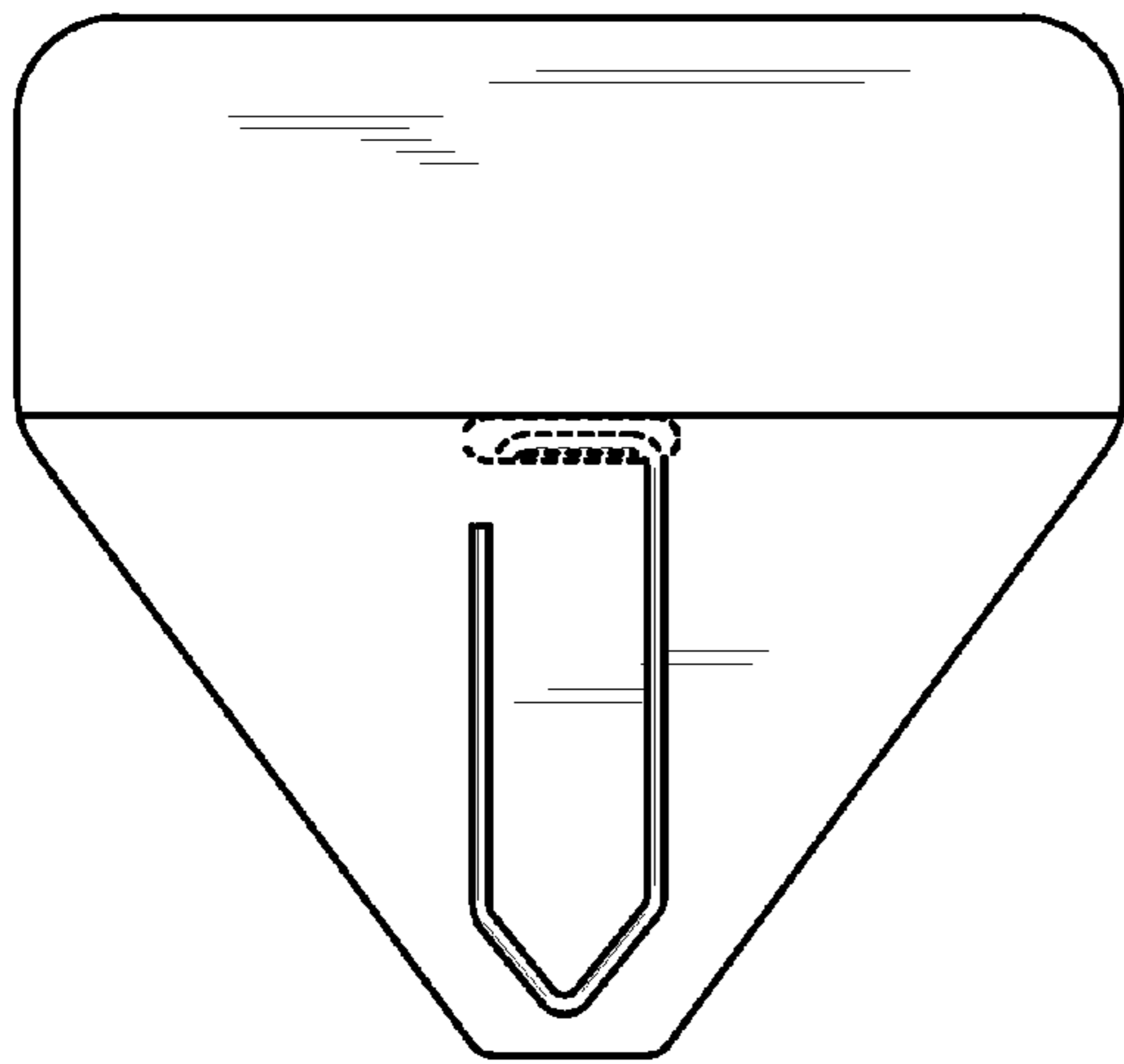


FIG. 62



FIG. 63

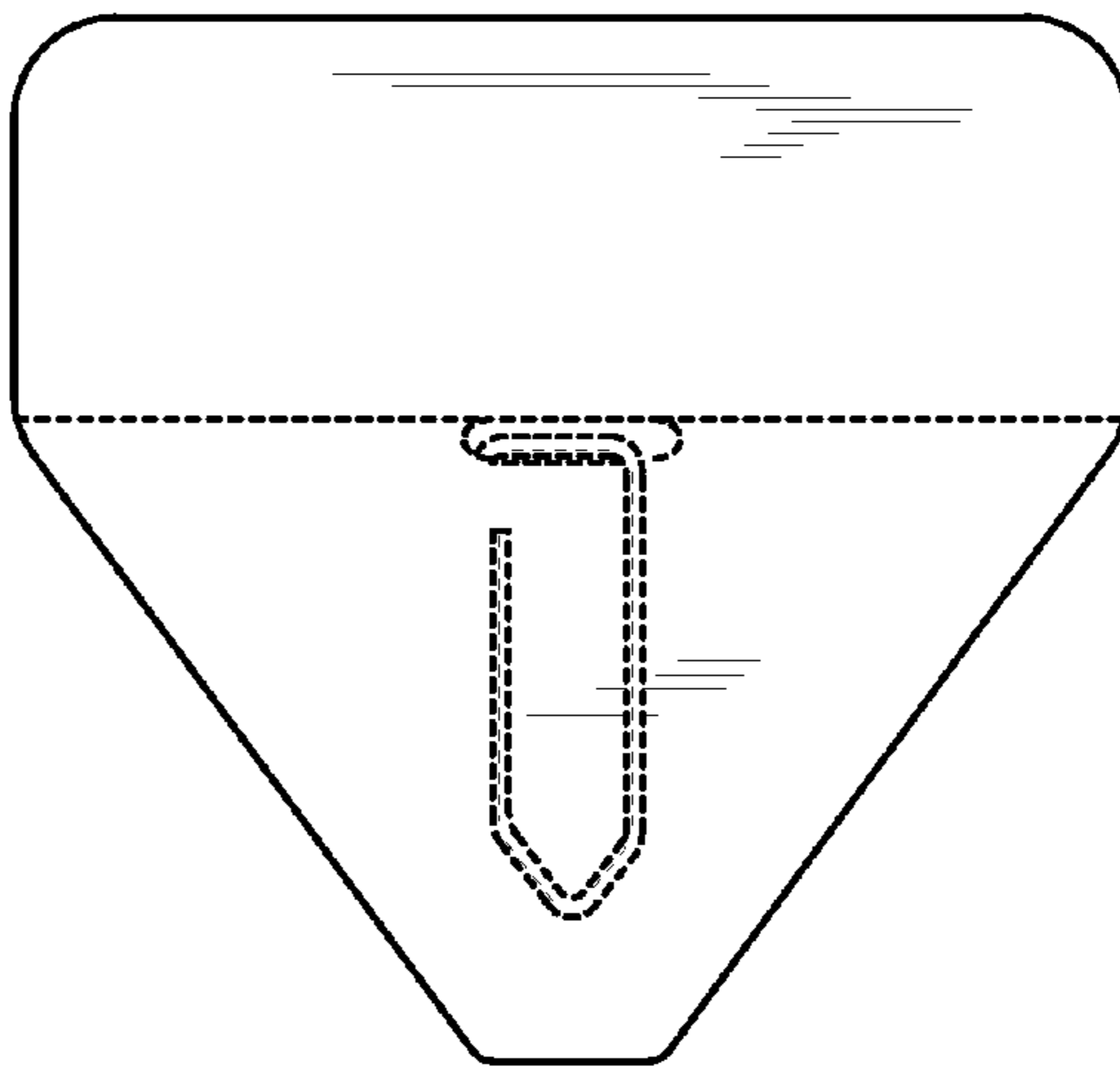


FIG. 64



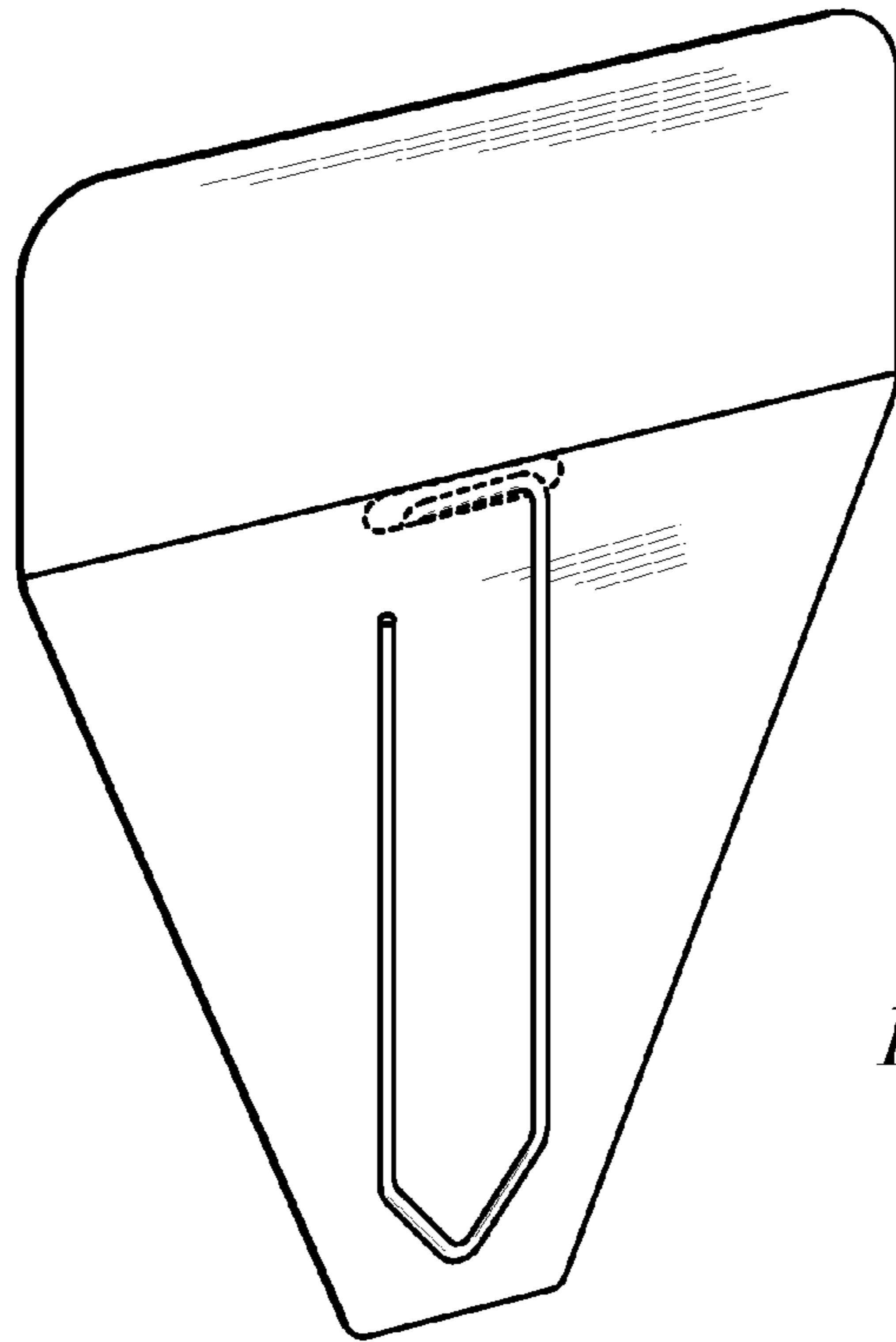


FIG. 67



FIG. 71



FIG. 72

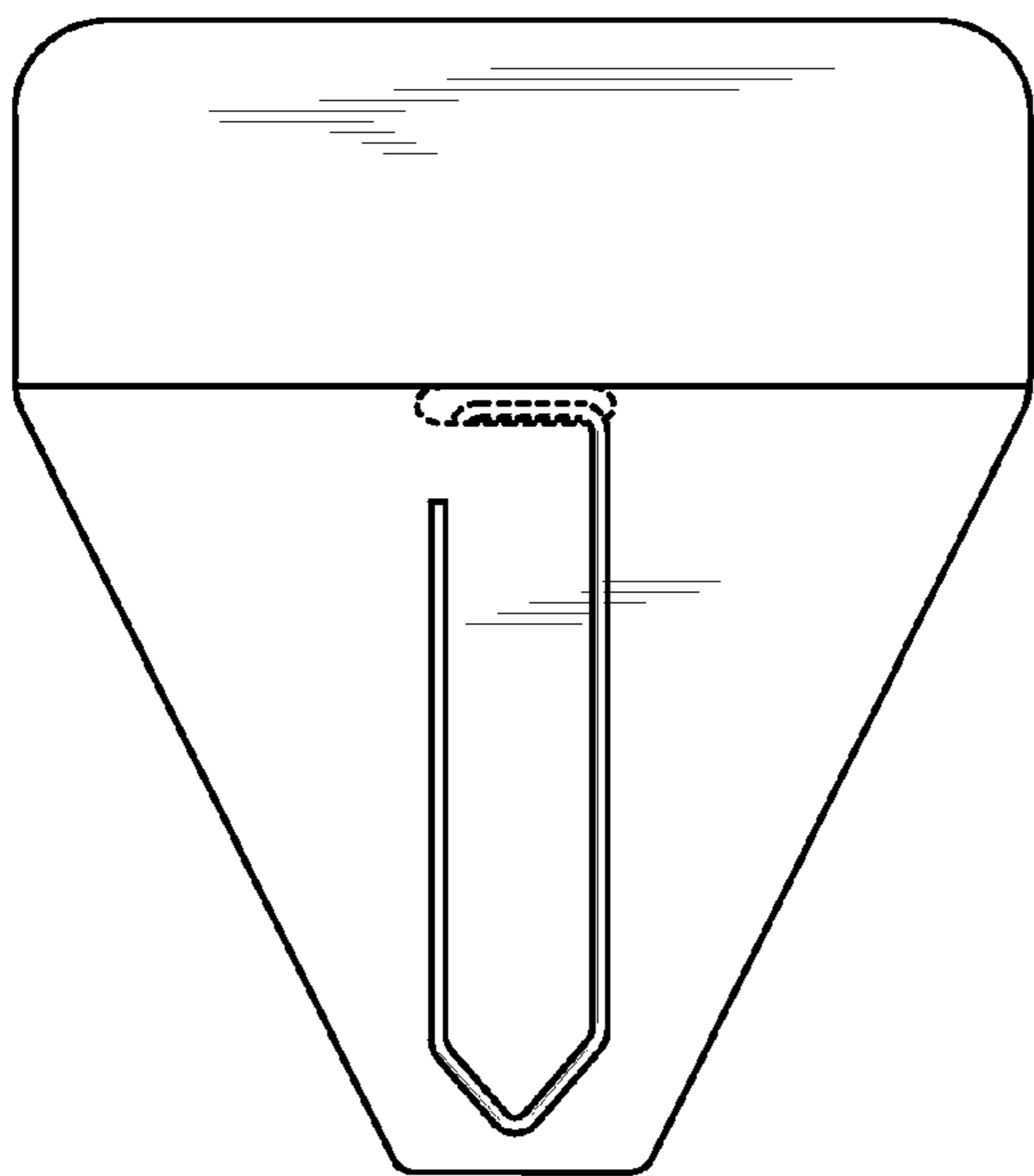


FIG. 68



FIG. 69

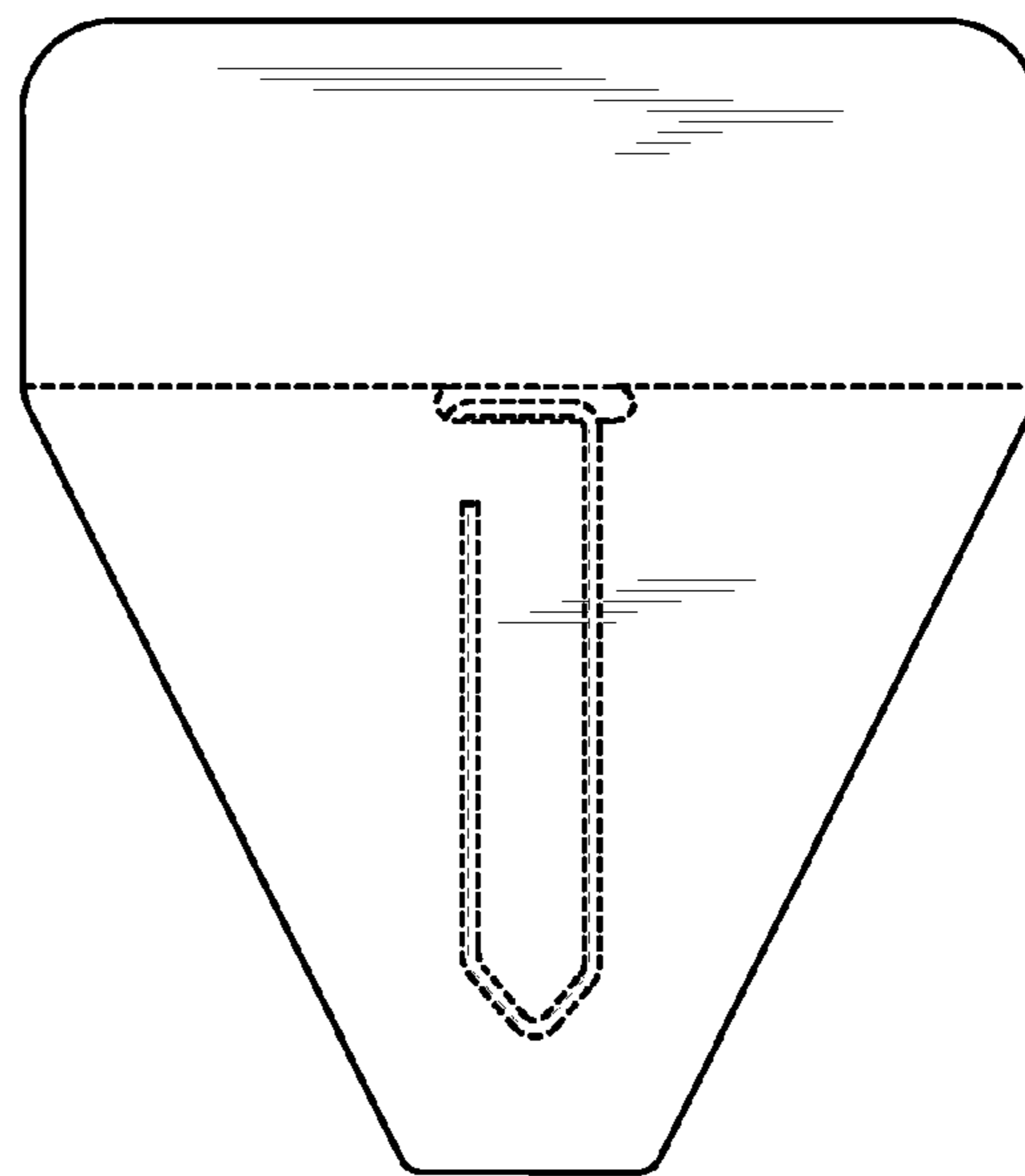
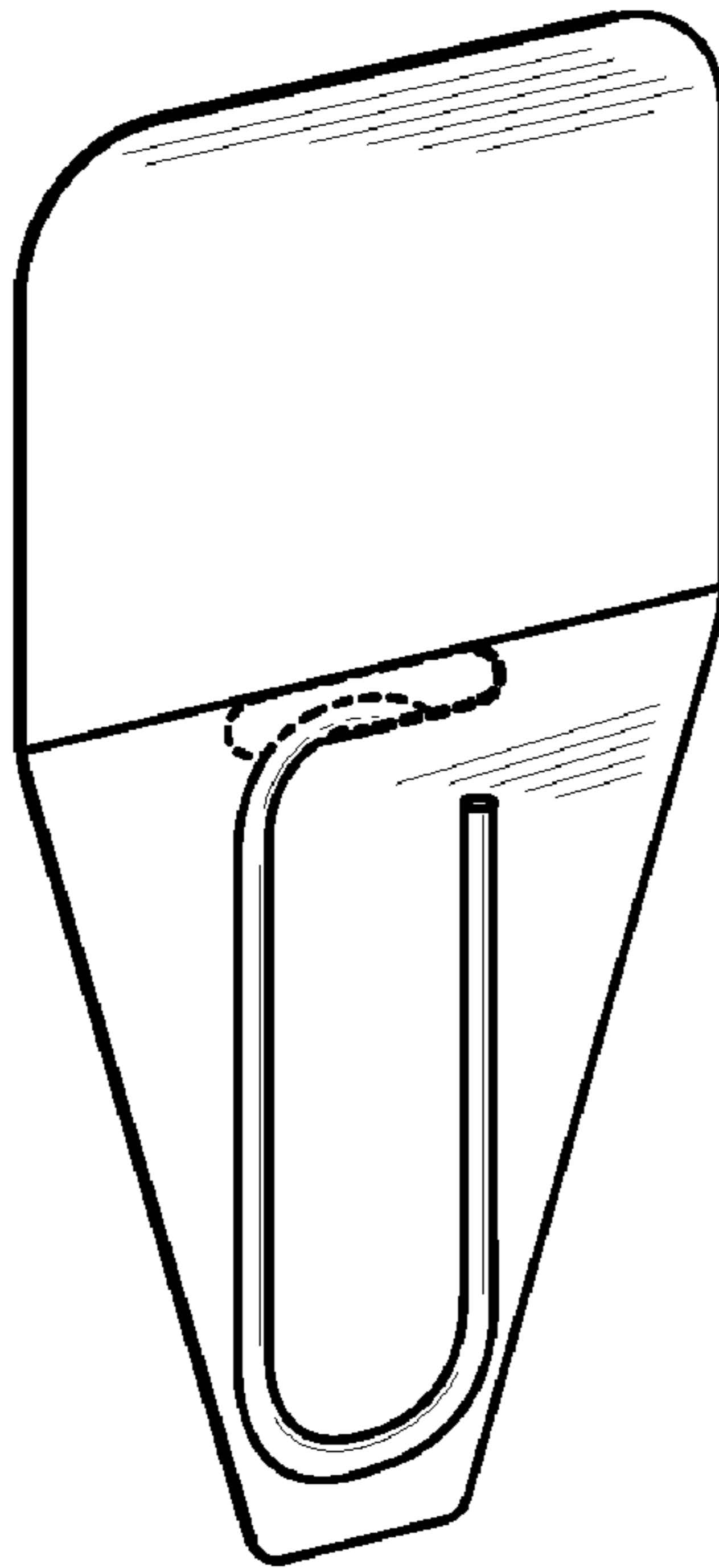


FIG. 70



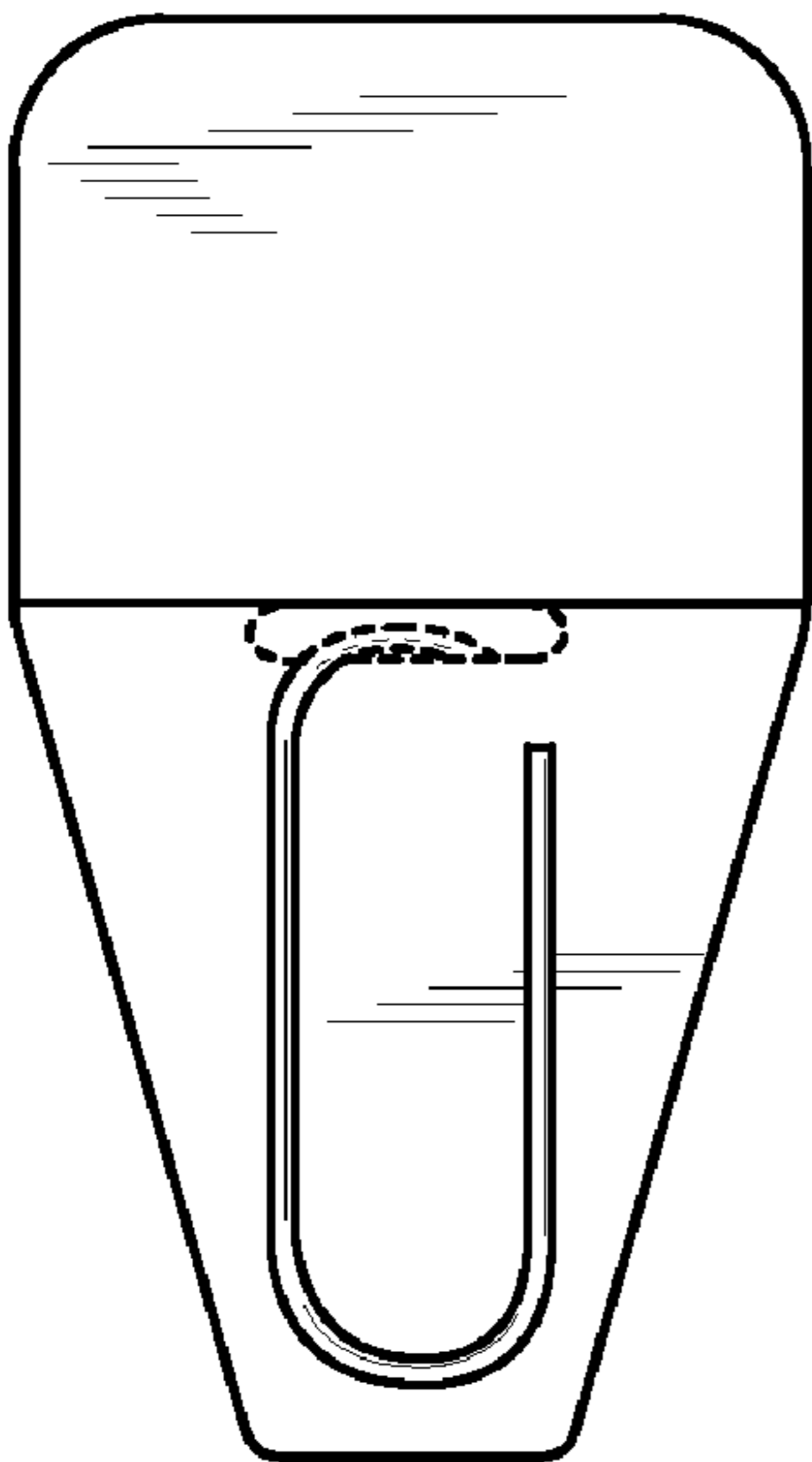
*FIG. 73*



*FIG. 77*



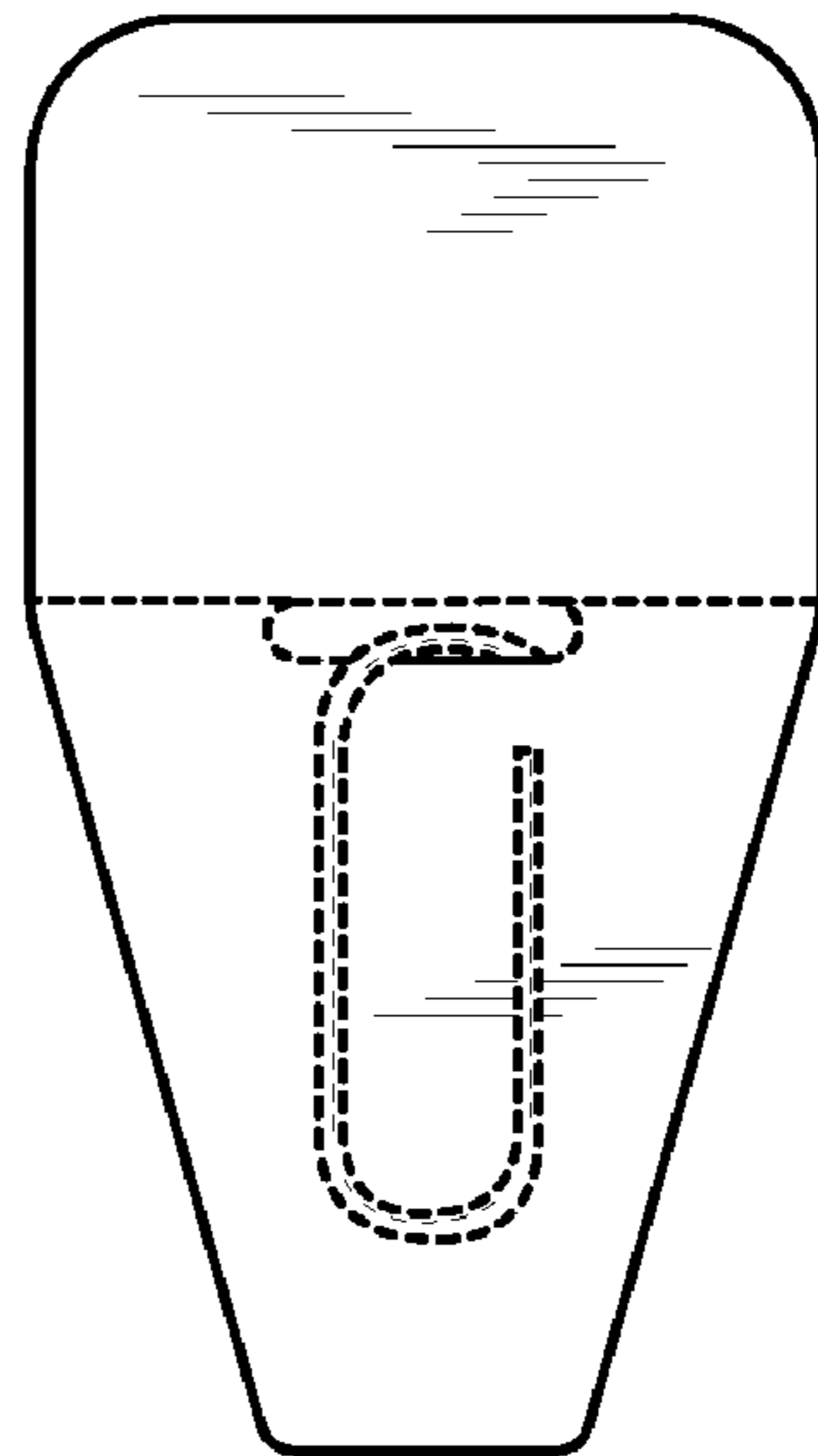
*FIG. 78*



*FIG. 74*



*FIG. 75*



*FIG. 76*

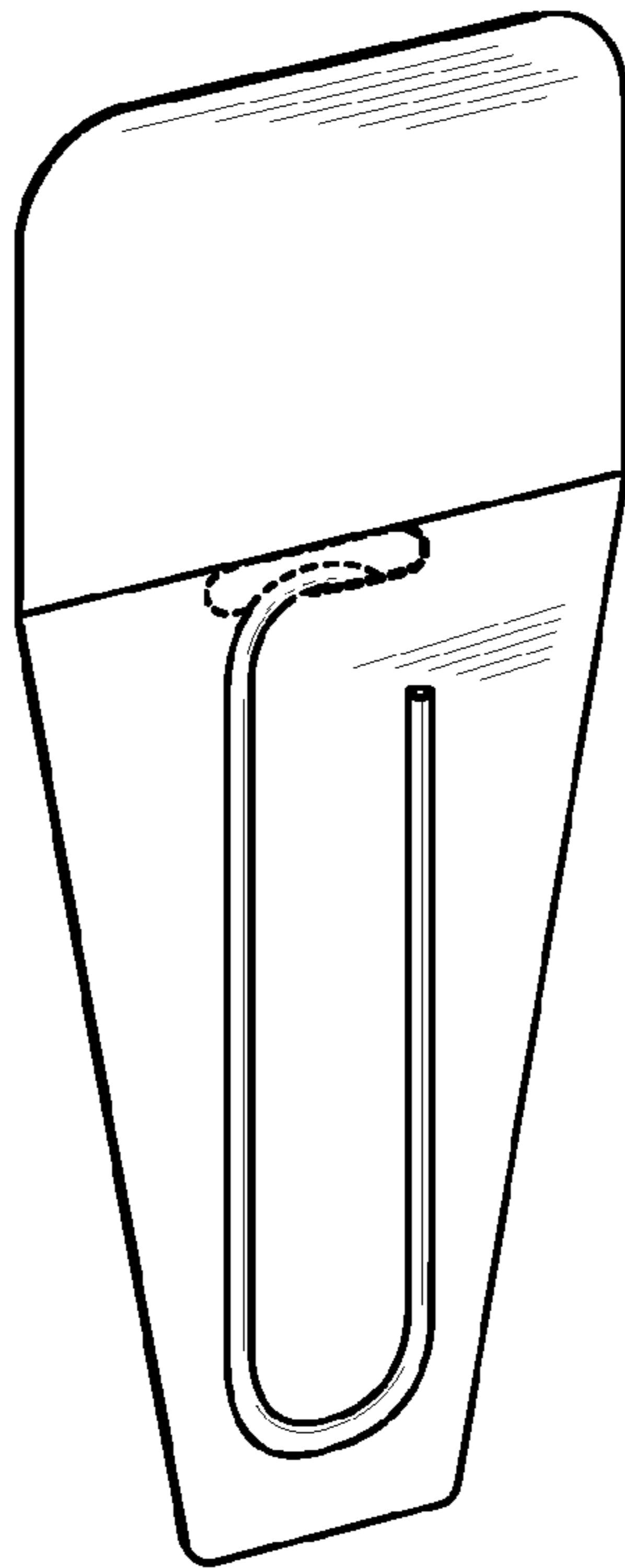


FIG. 79



FIG. 83



FIG. 84

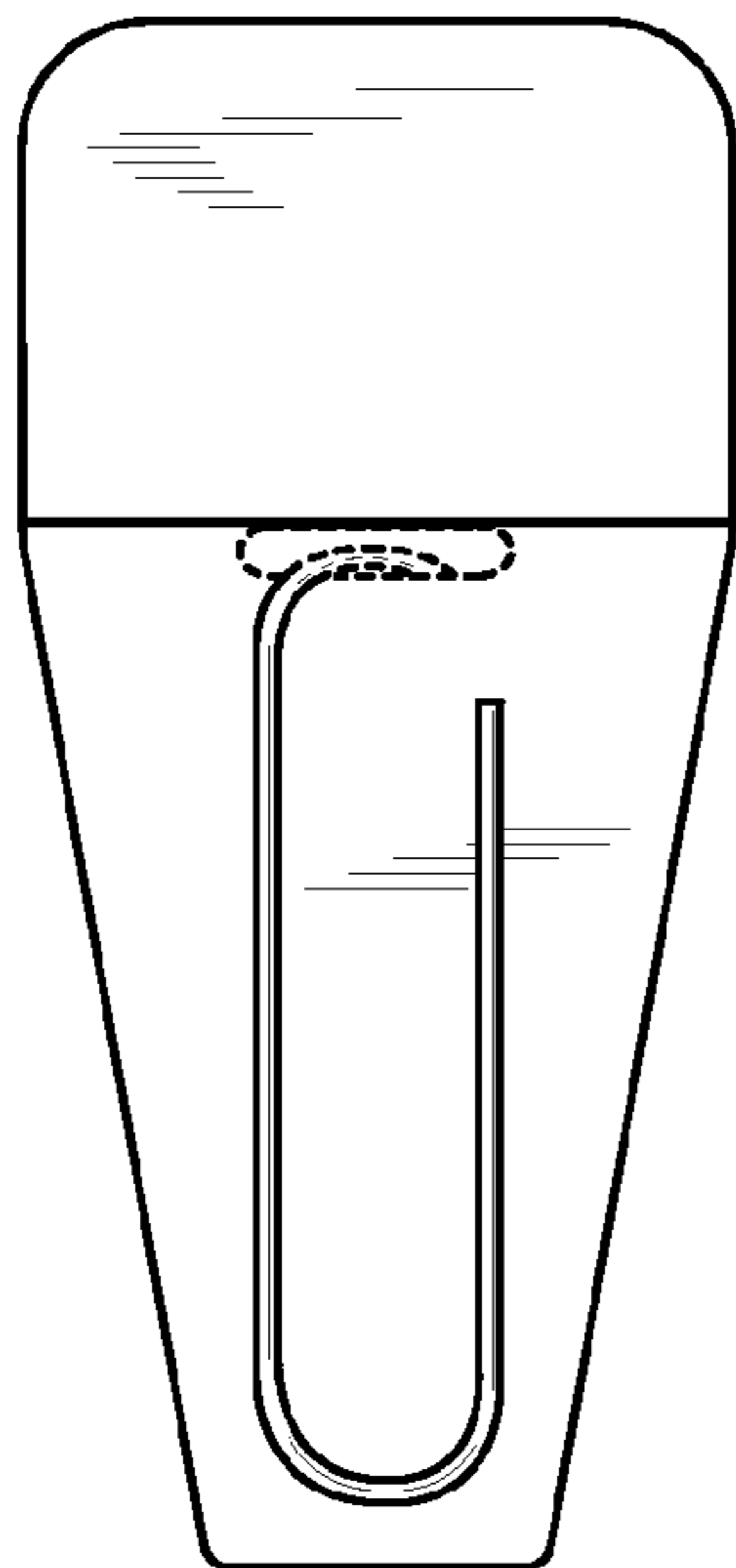


FIG. 80



FIG. 81

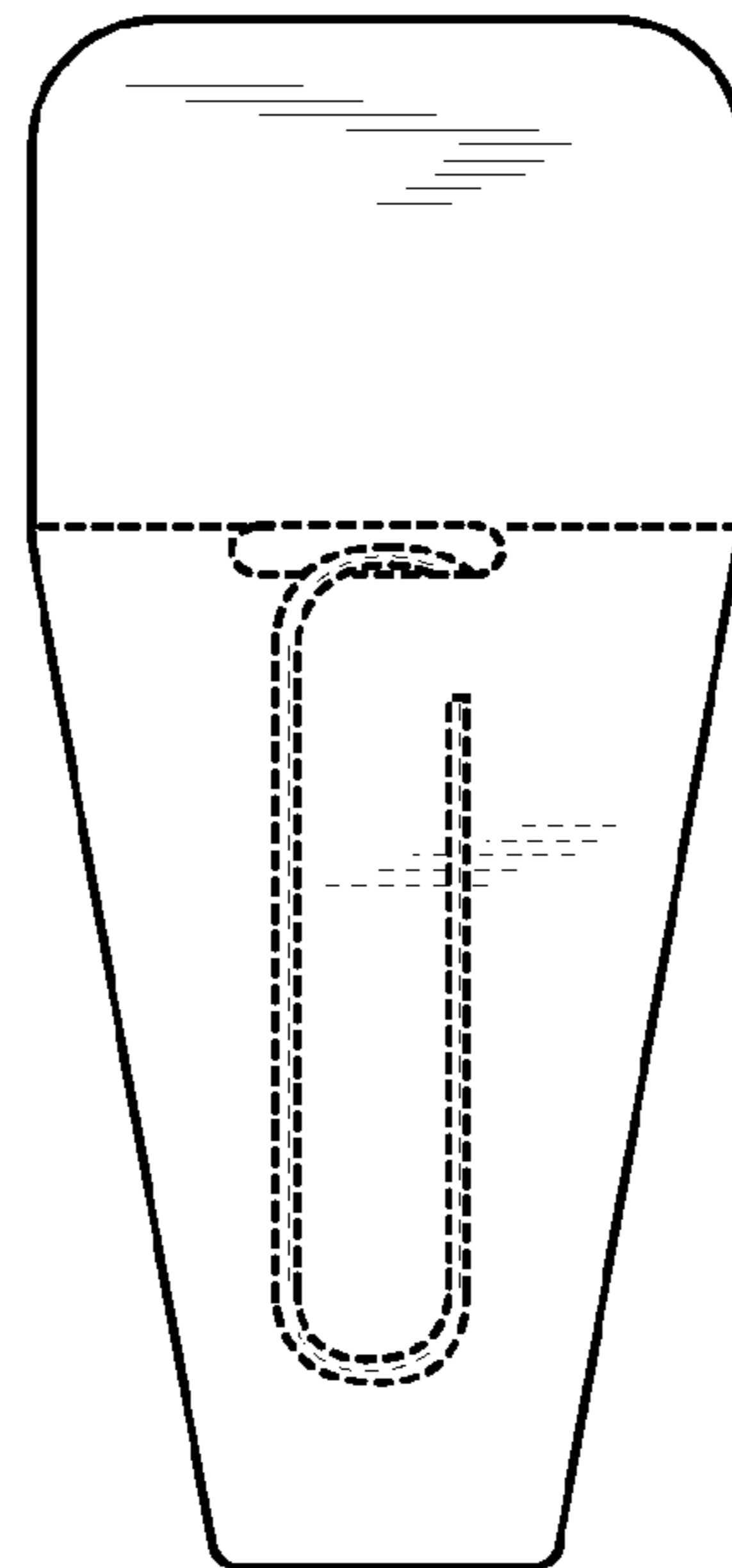


FIG. 82

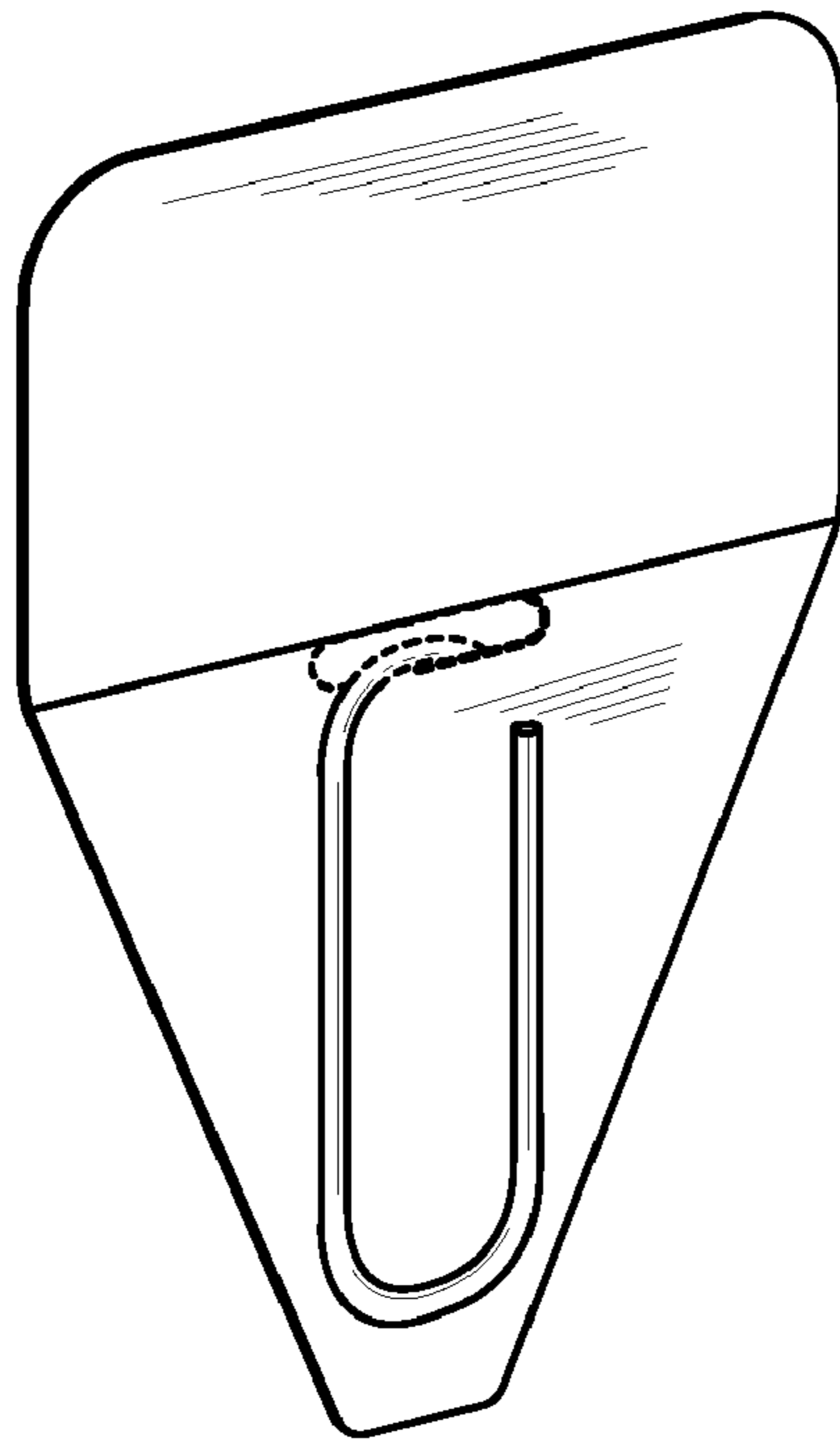


FIG. 85



FIG. 89



FIG. 90

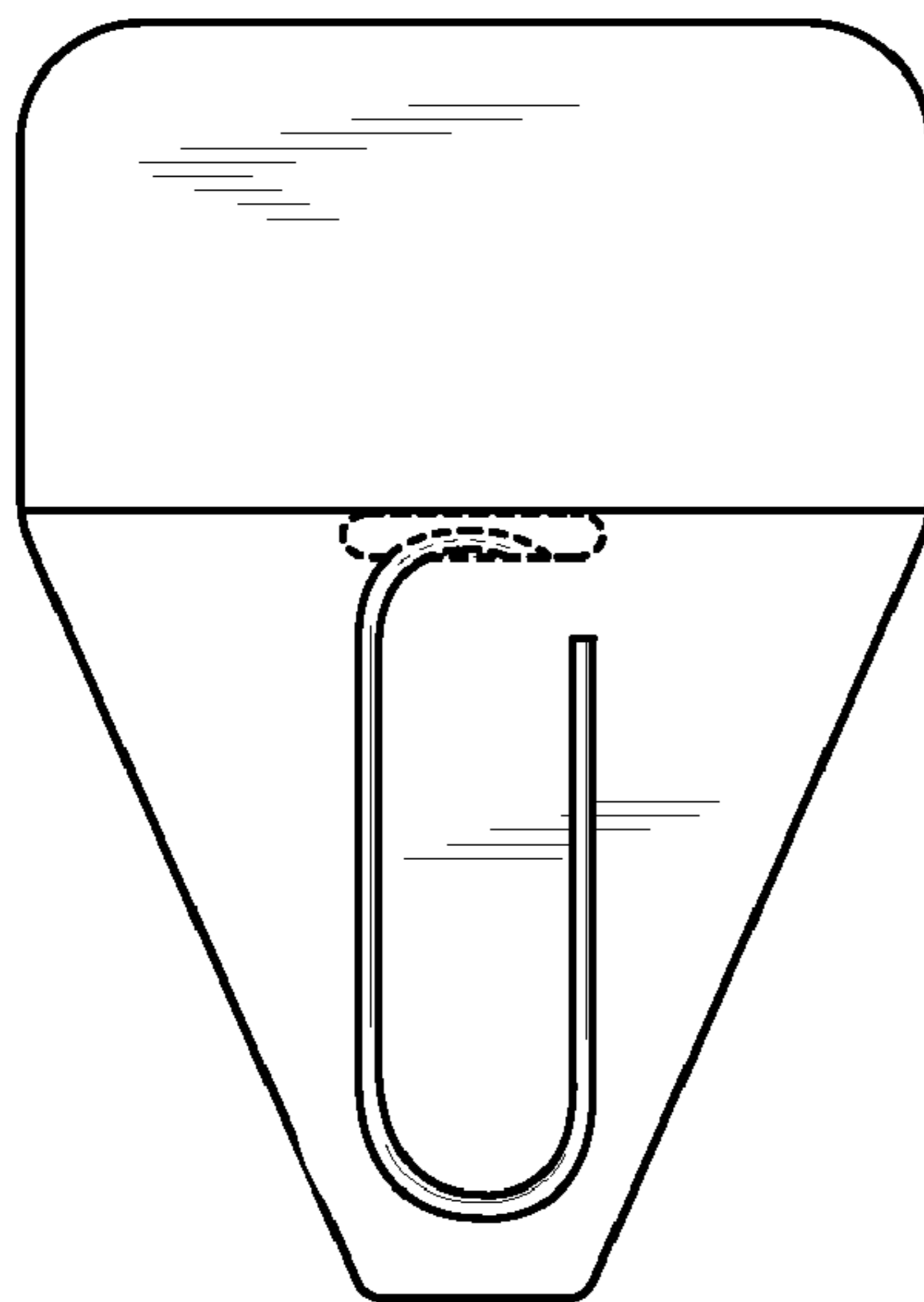


FIG. 86



FIG. 87

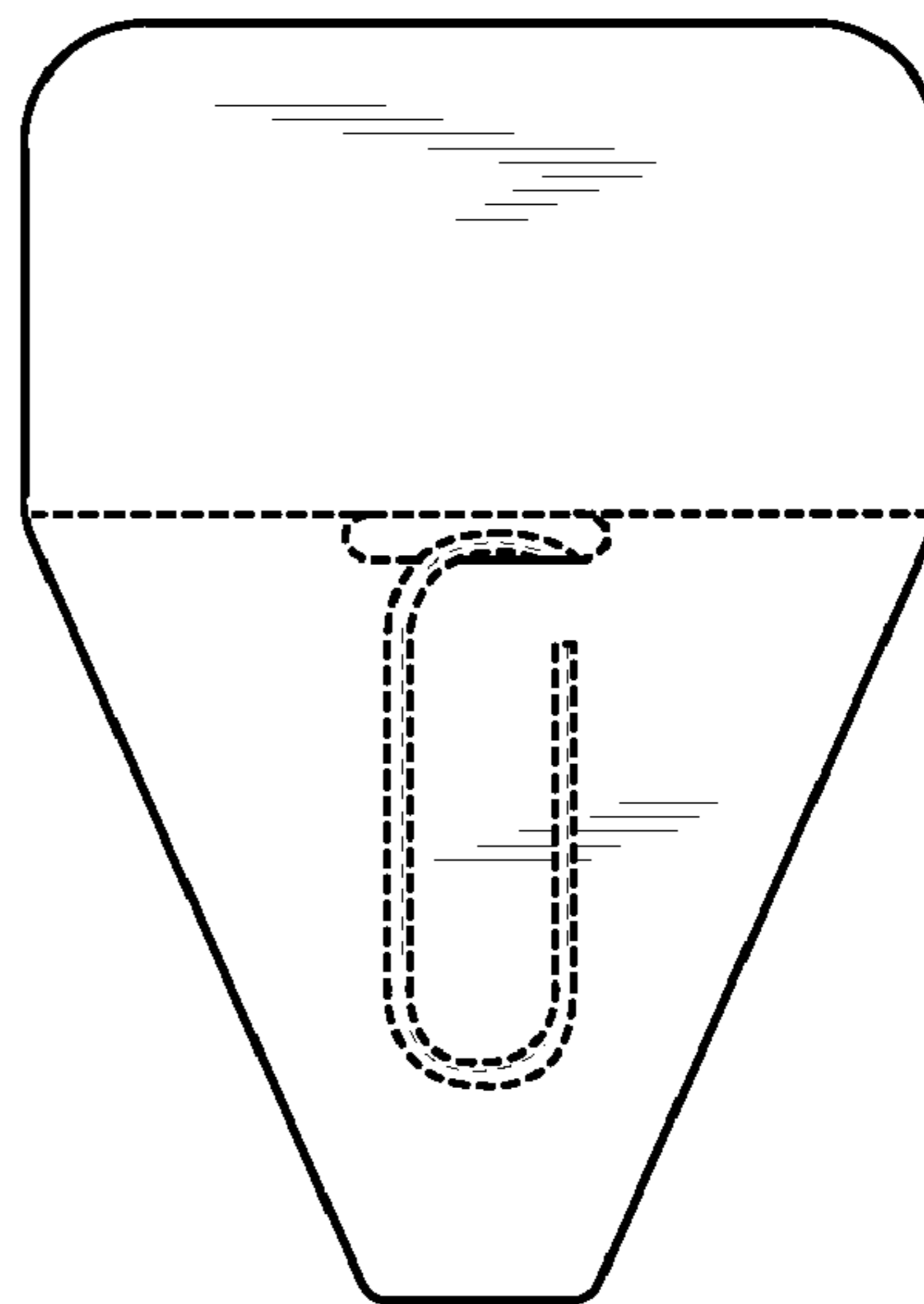


FIG. 88

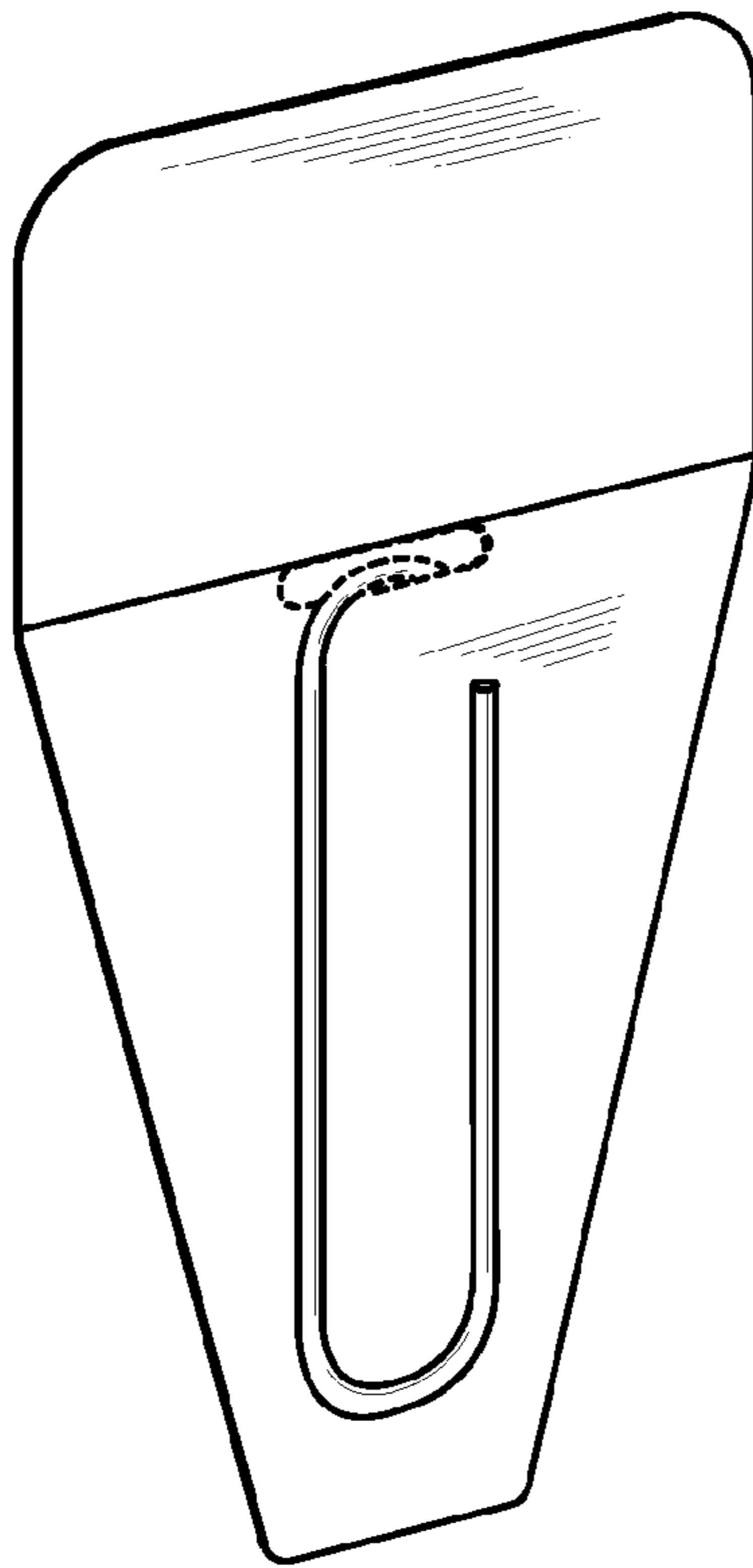


FIG. 91



FIG. 95



FIG. 96

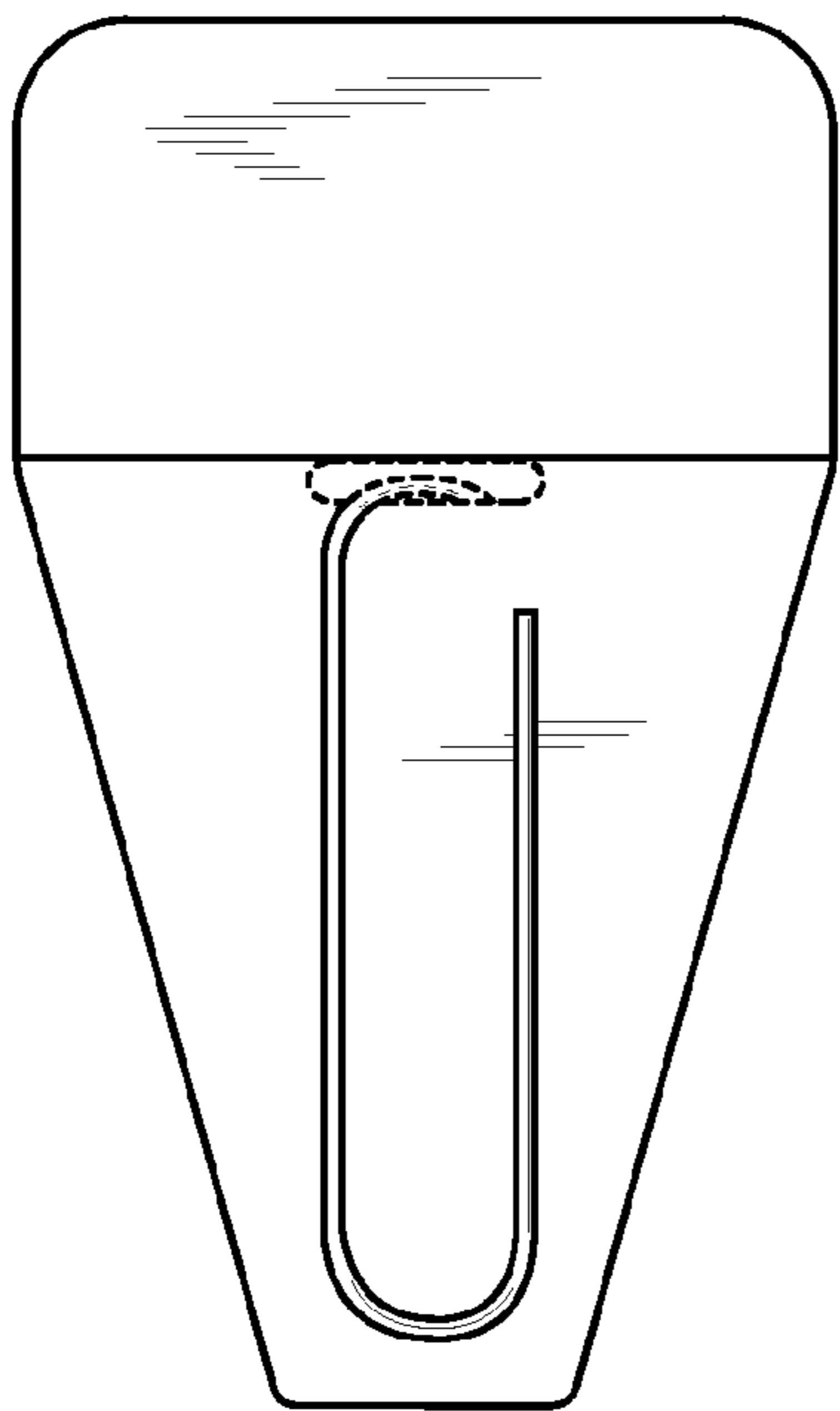


FIG. 92



FIG. 93

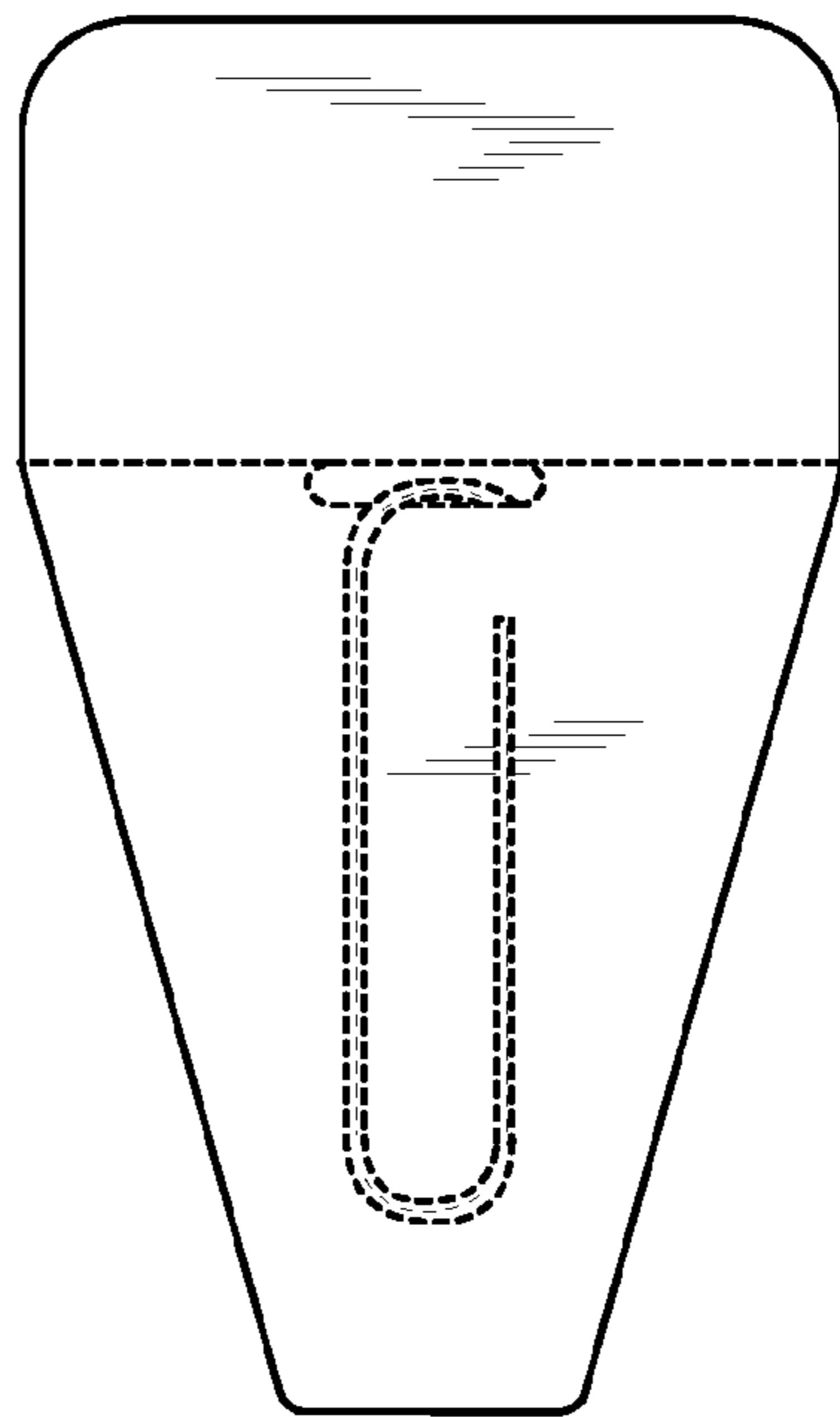


FIG. 94

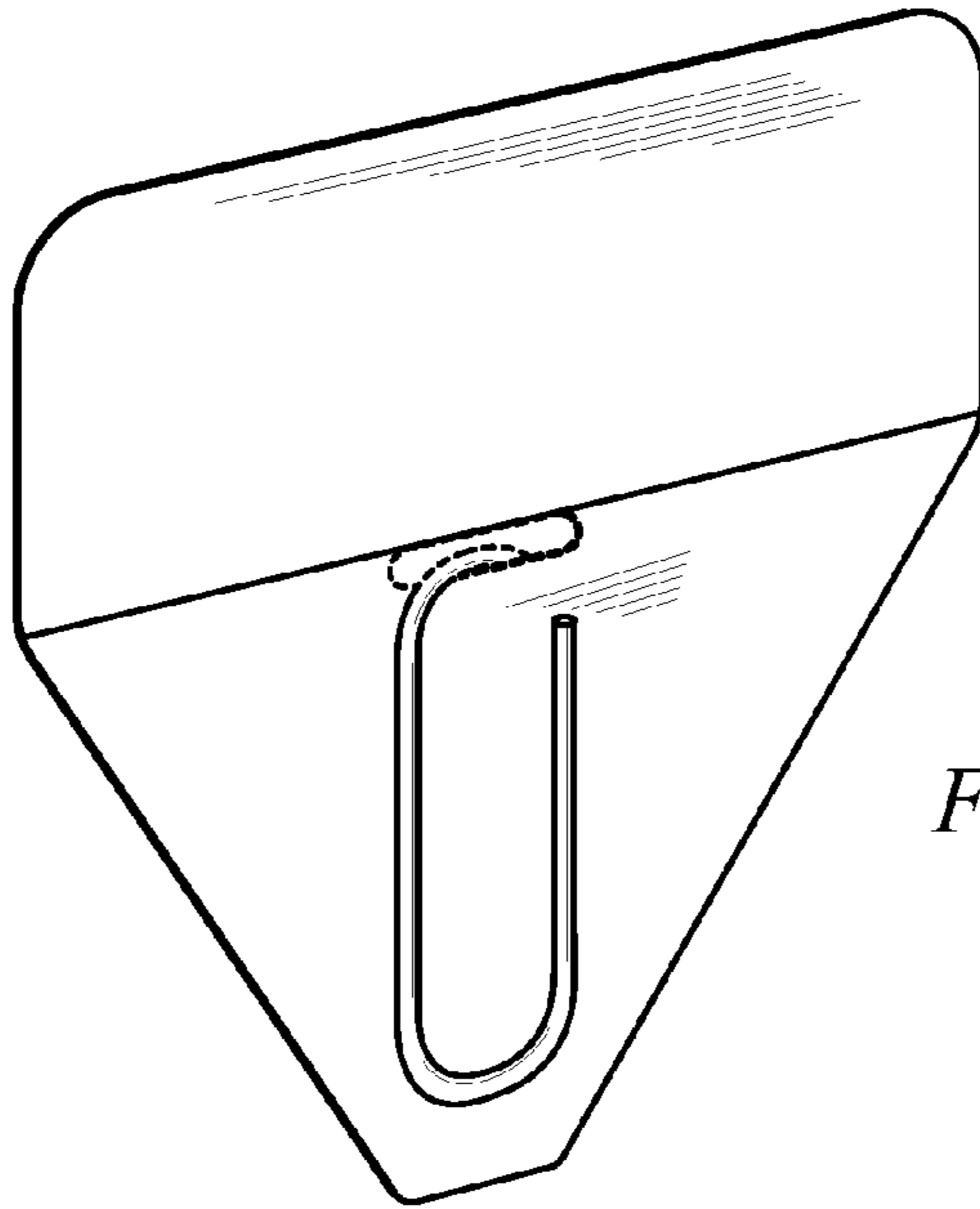


FIG. 97



FIG. 101



FIG. 102

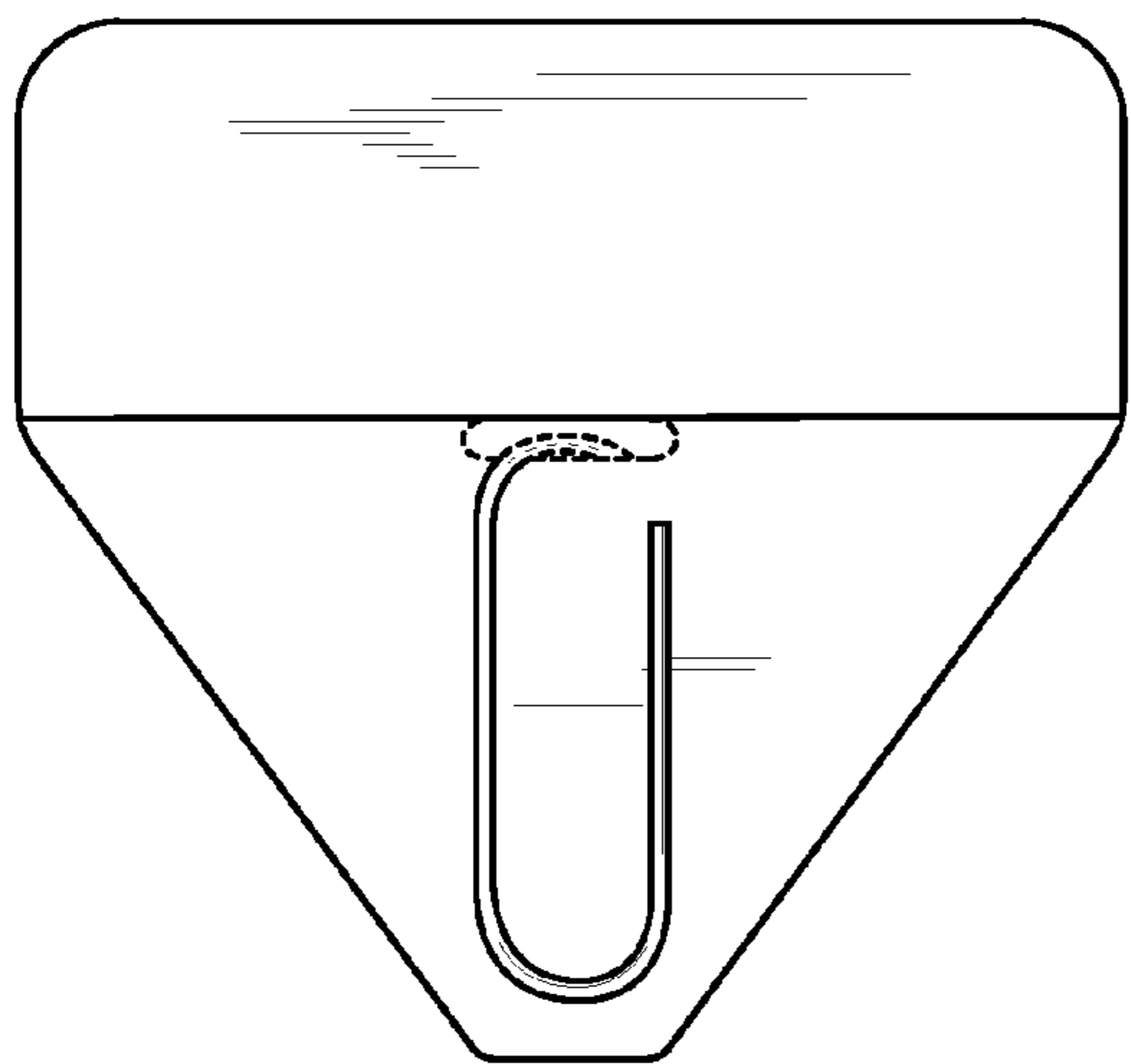


FIG. 98



FIG. 99

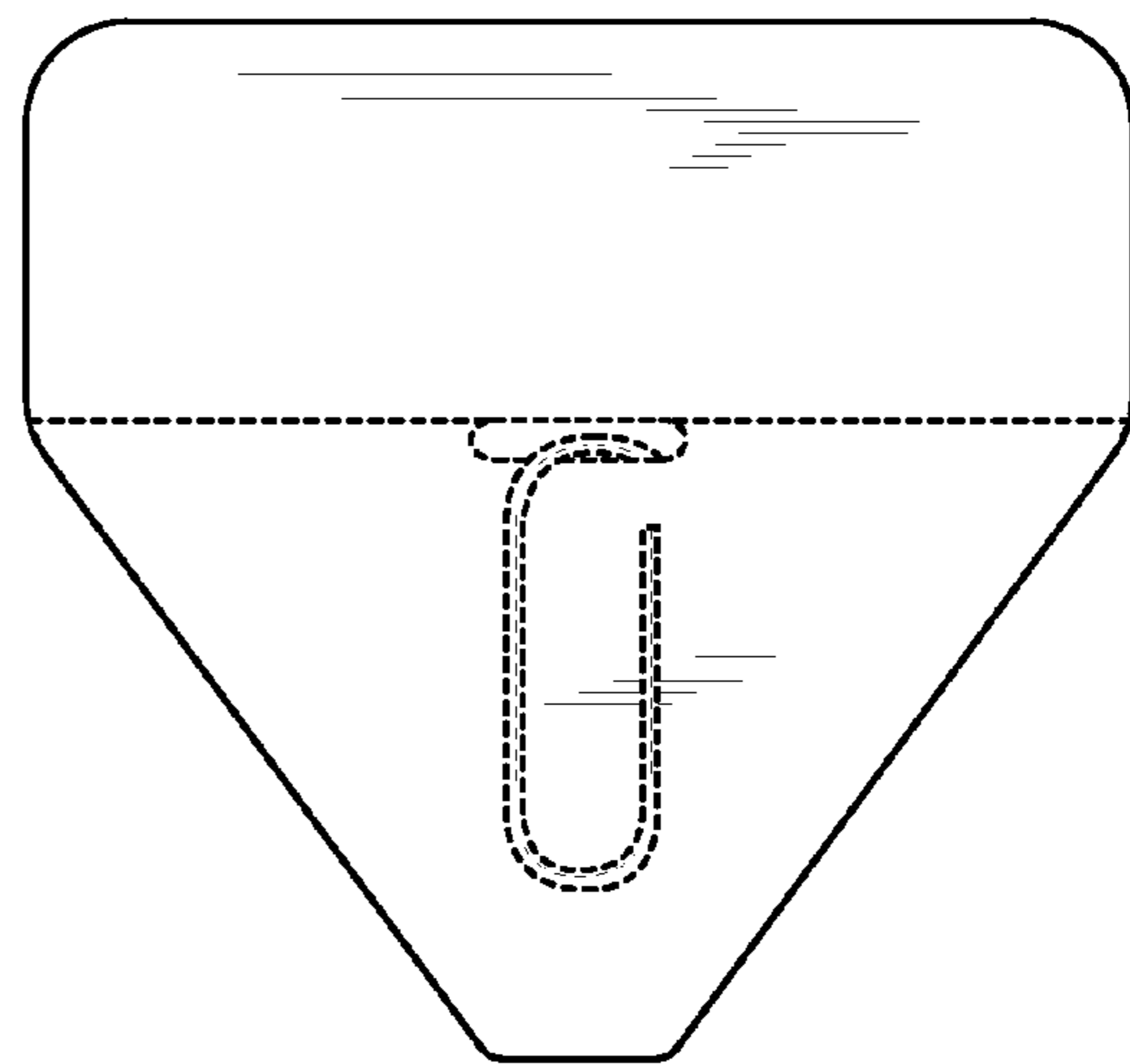


FIG. 100

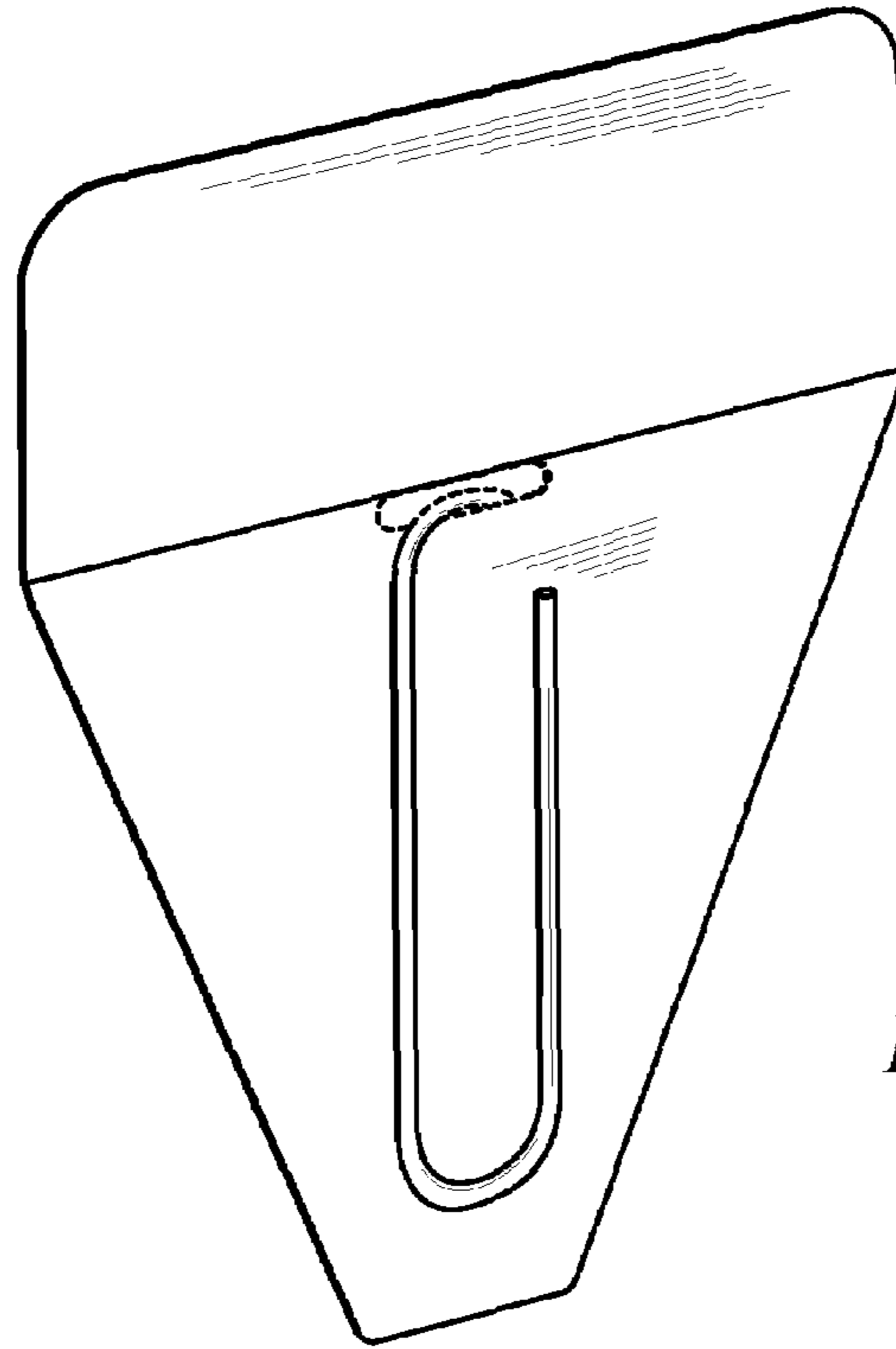


FIG. 103



FIG. 107

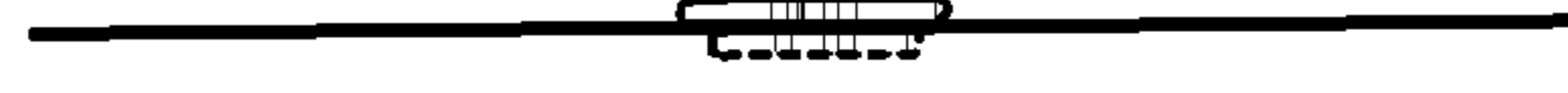


FIG. 108

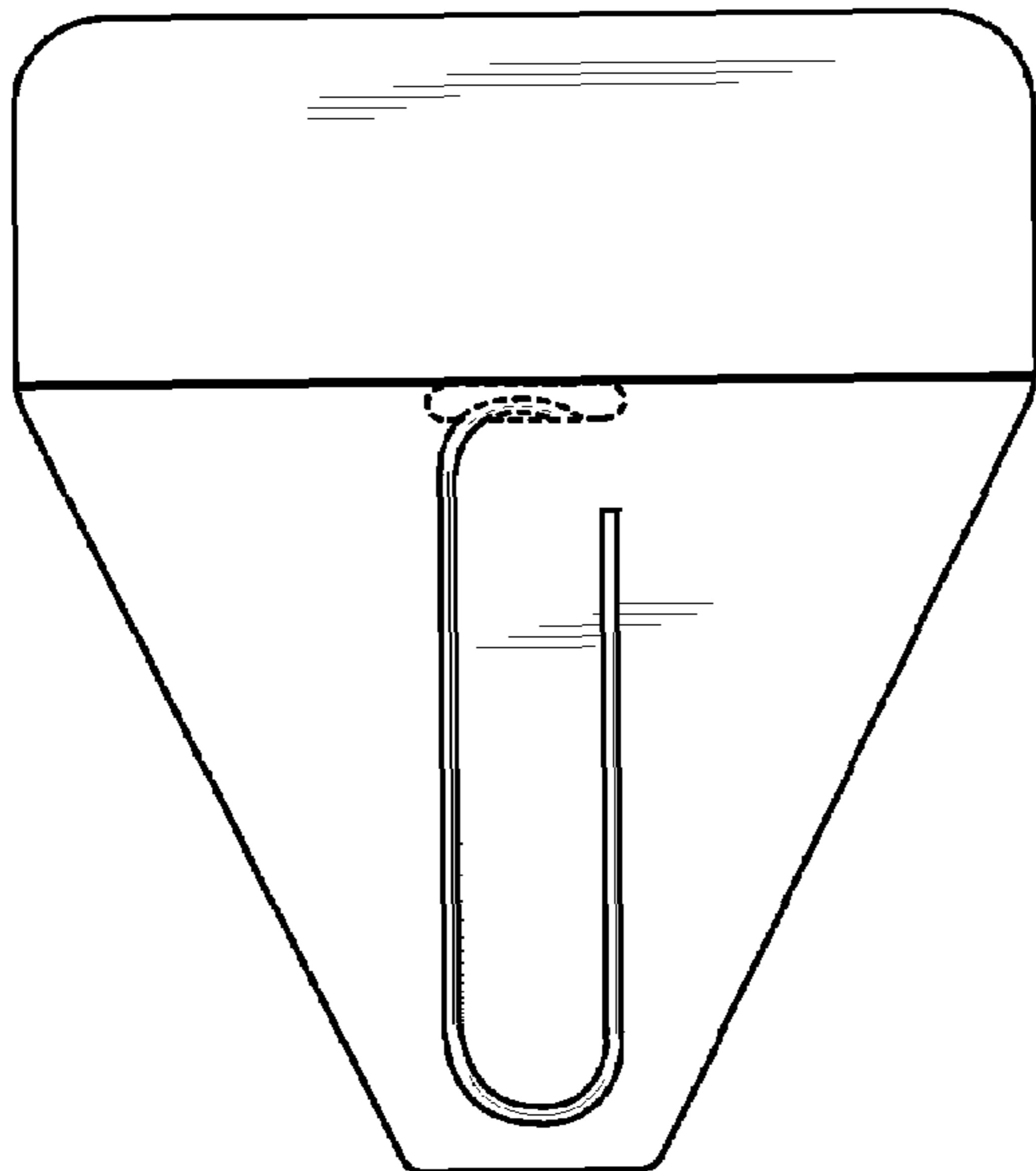


FIG. 104



FIG. 105

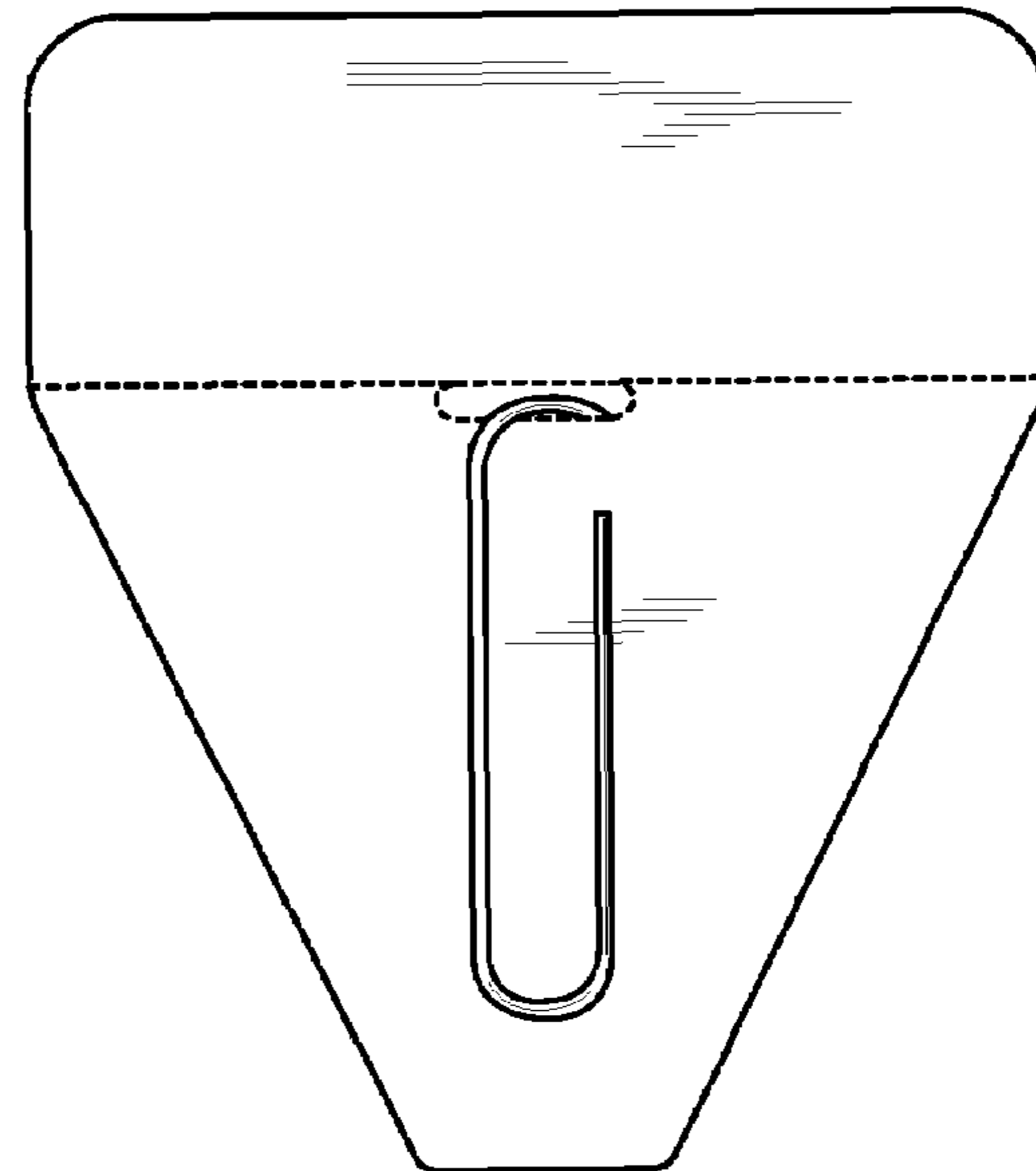
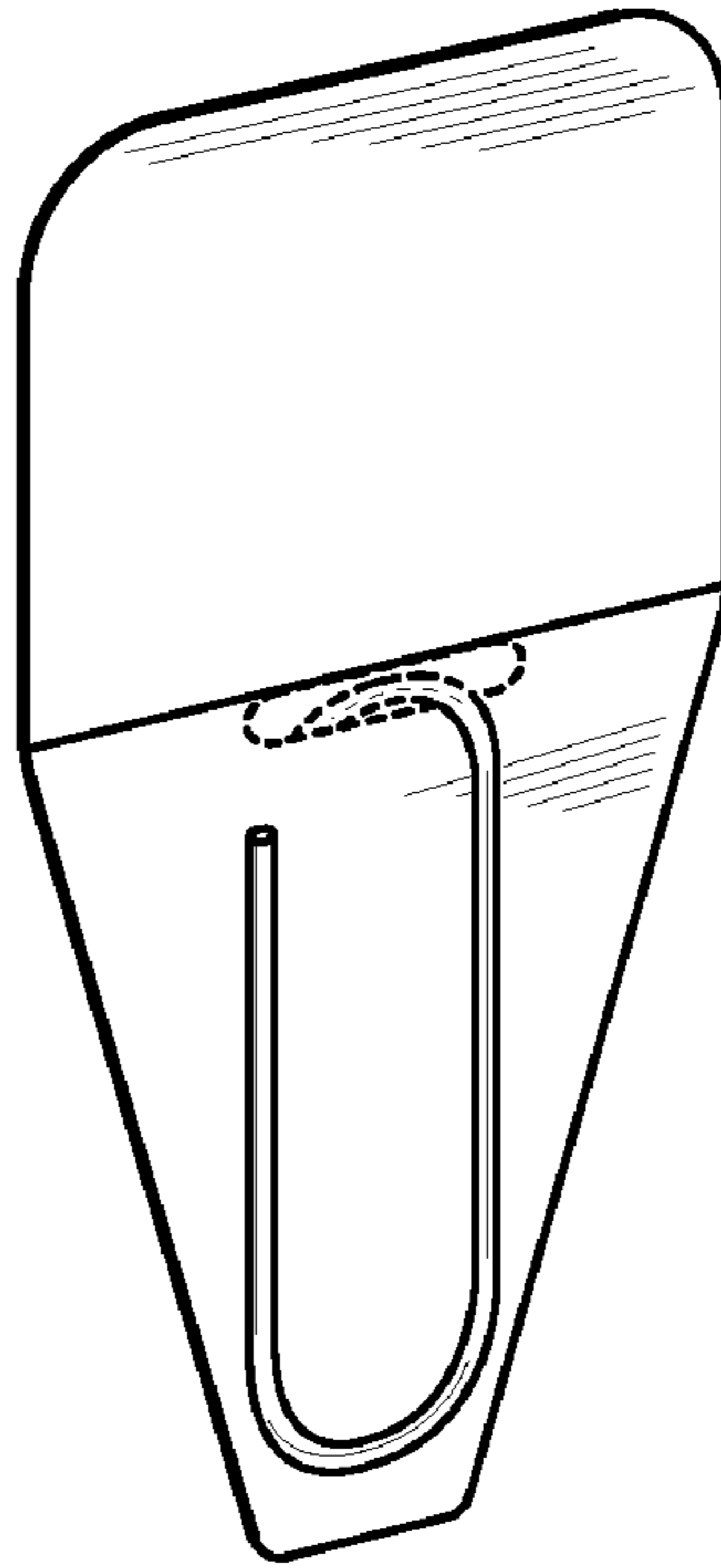


FIG. 106



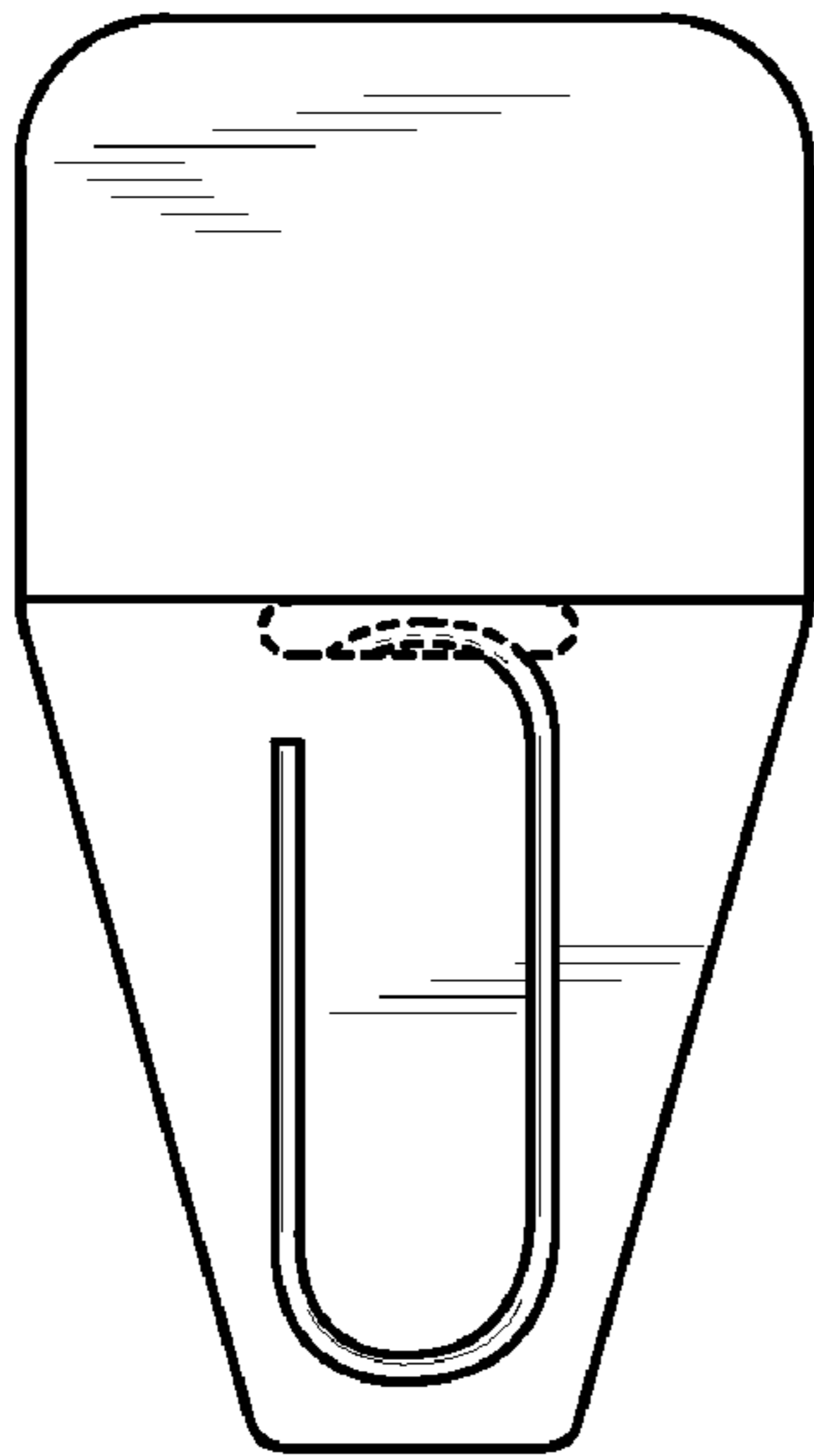
*FIG. 109*



*FIG. 113*



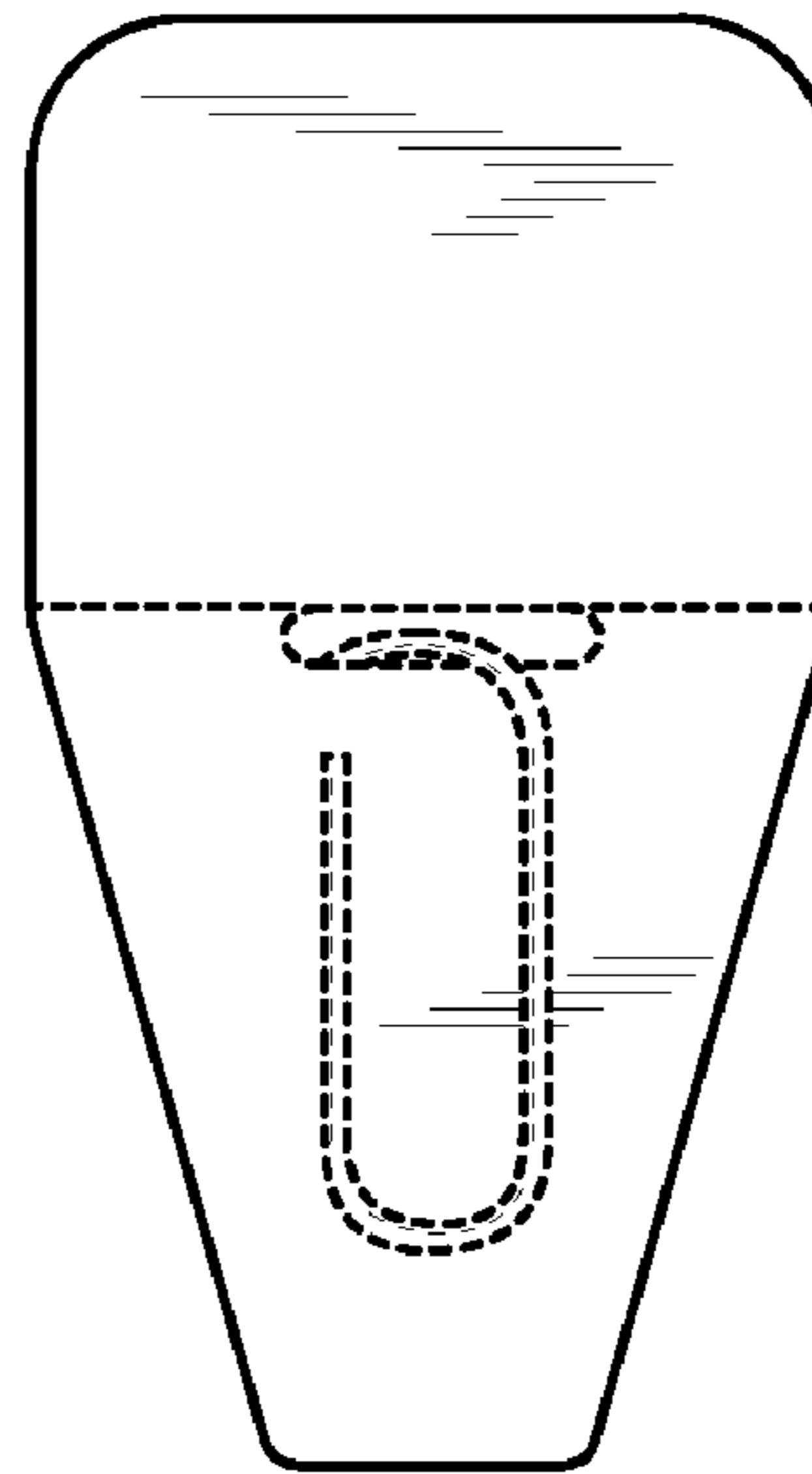
*FIG. 114*



*FIG. 110*



*FIG. 111*



*FIG. 112*



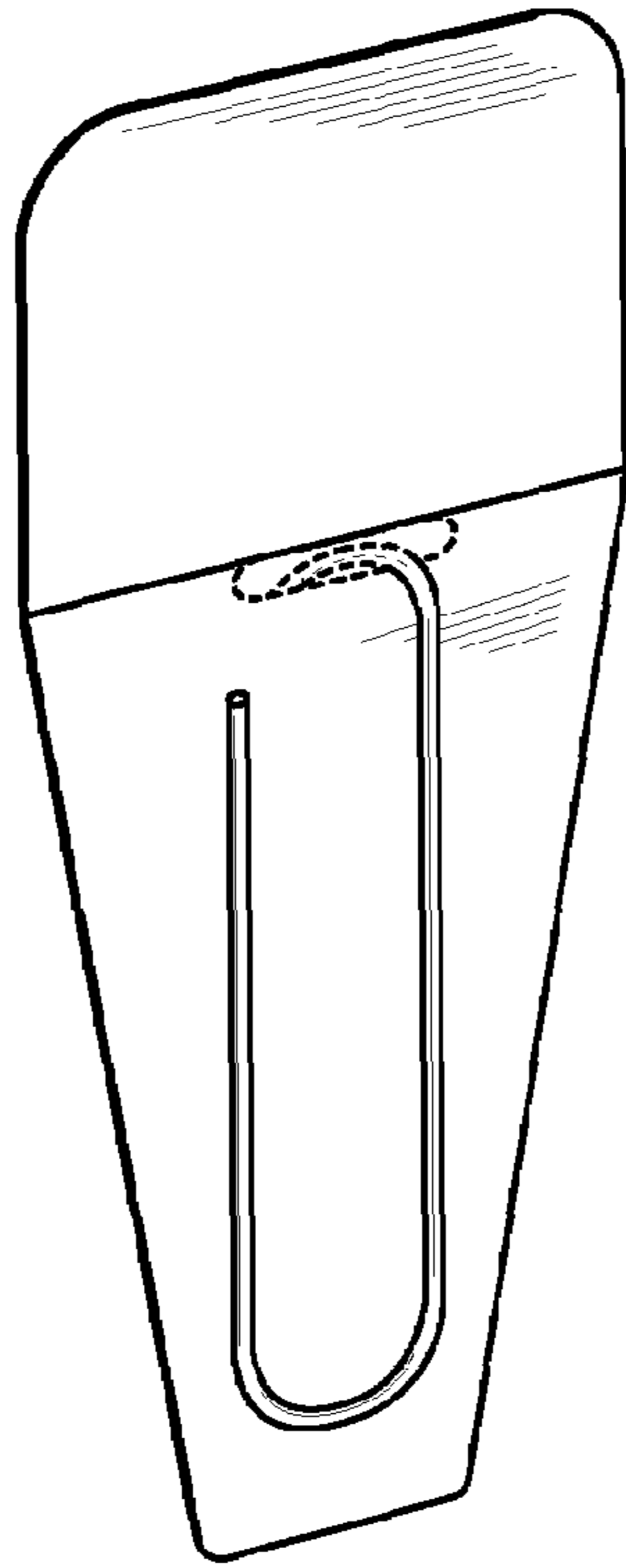


FIG. 115



FIG. 119

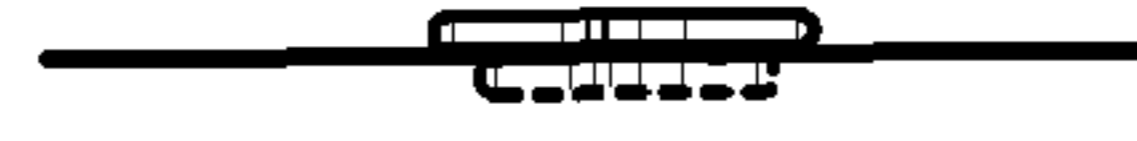


FIG. 120

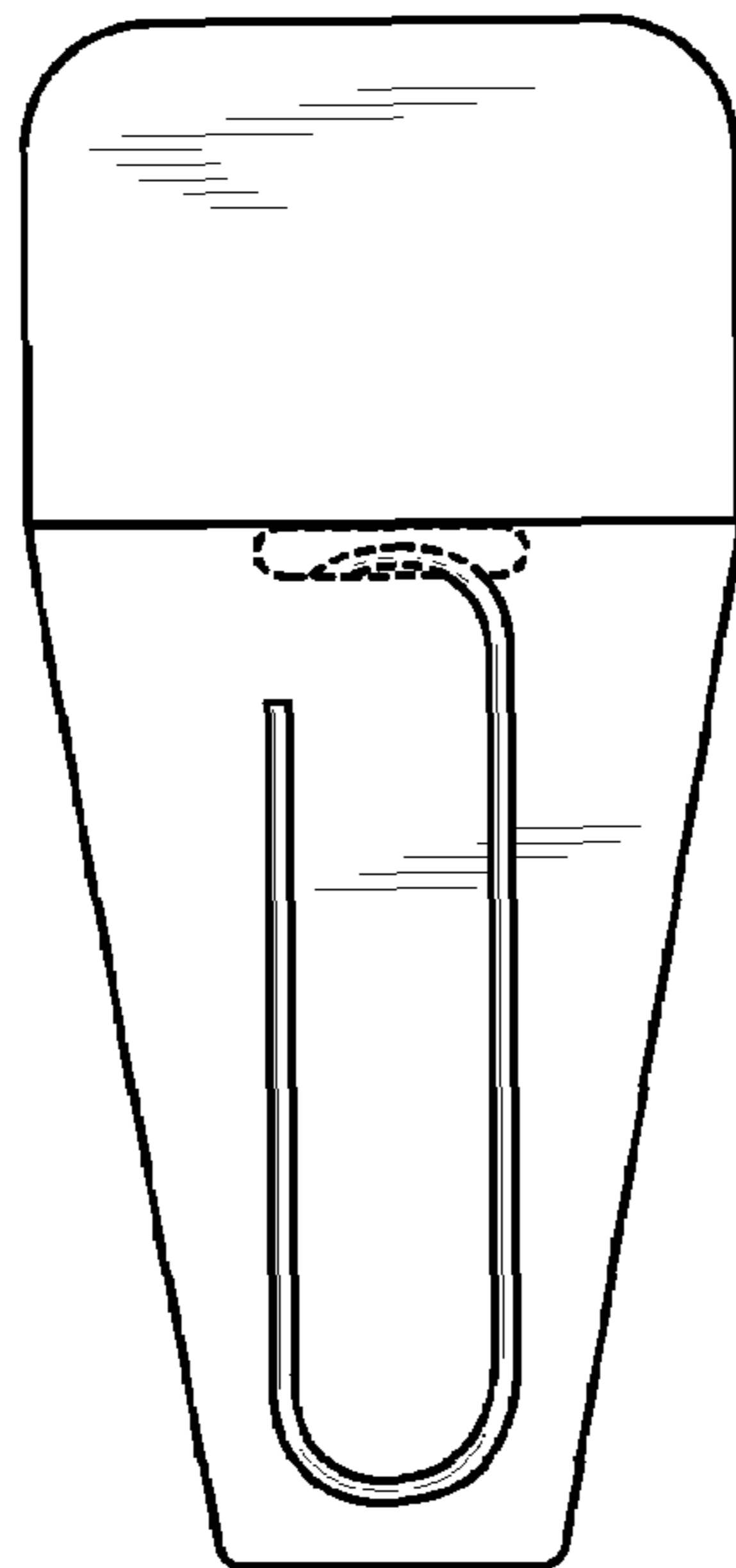


FIG. 116



FIG. 117

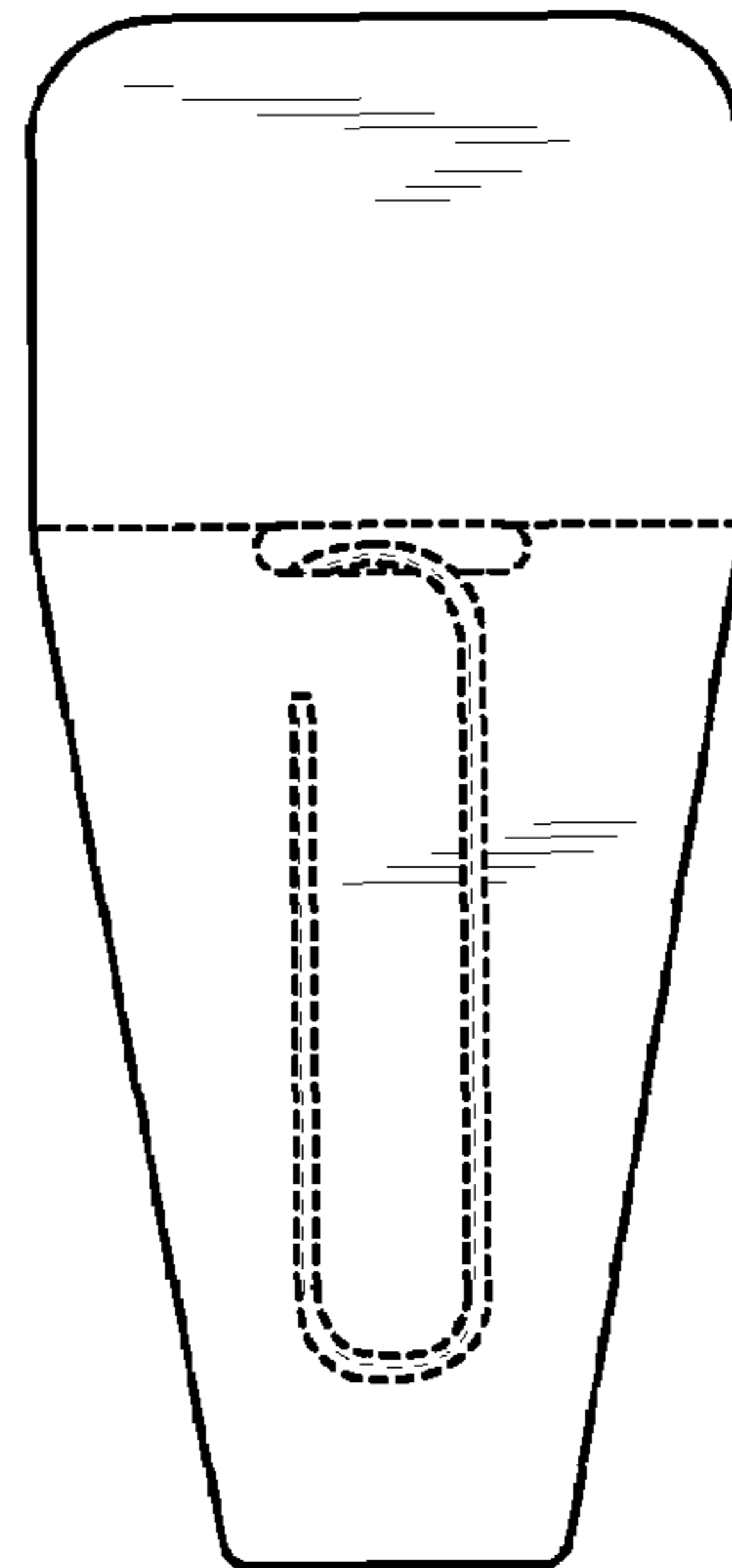


FIG. 118

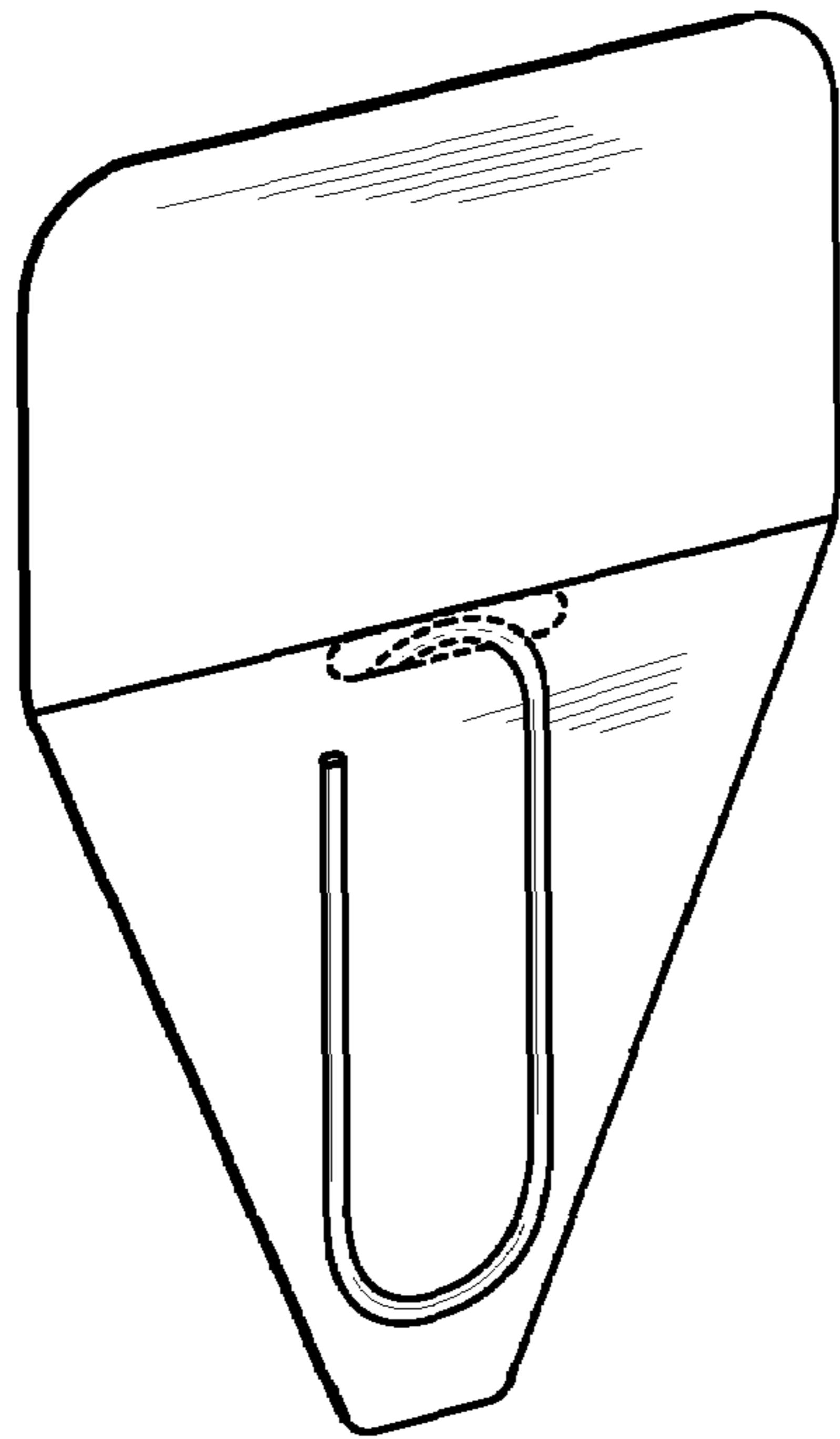


FIG. 121



FIG. 125



FIG. 126

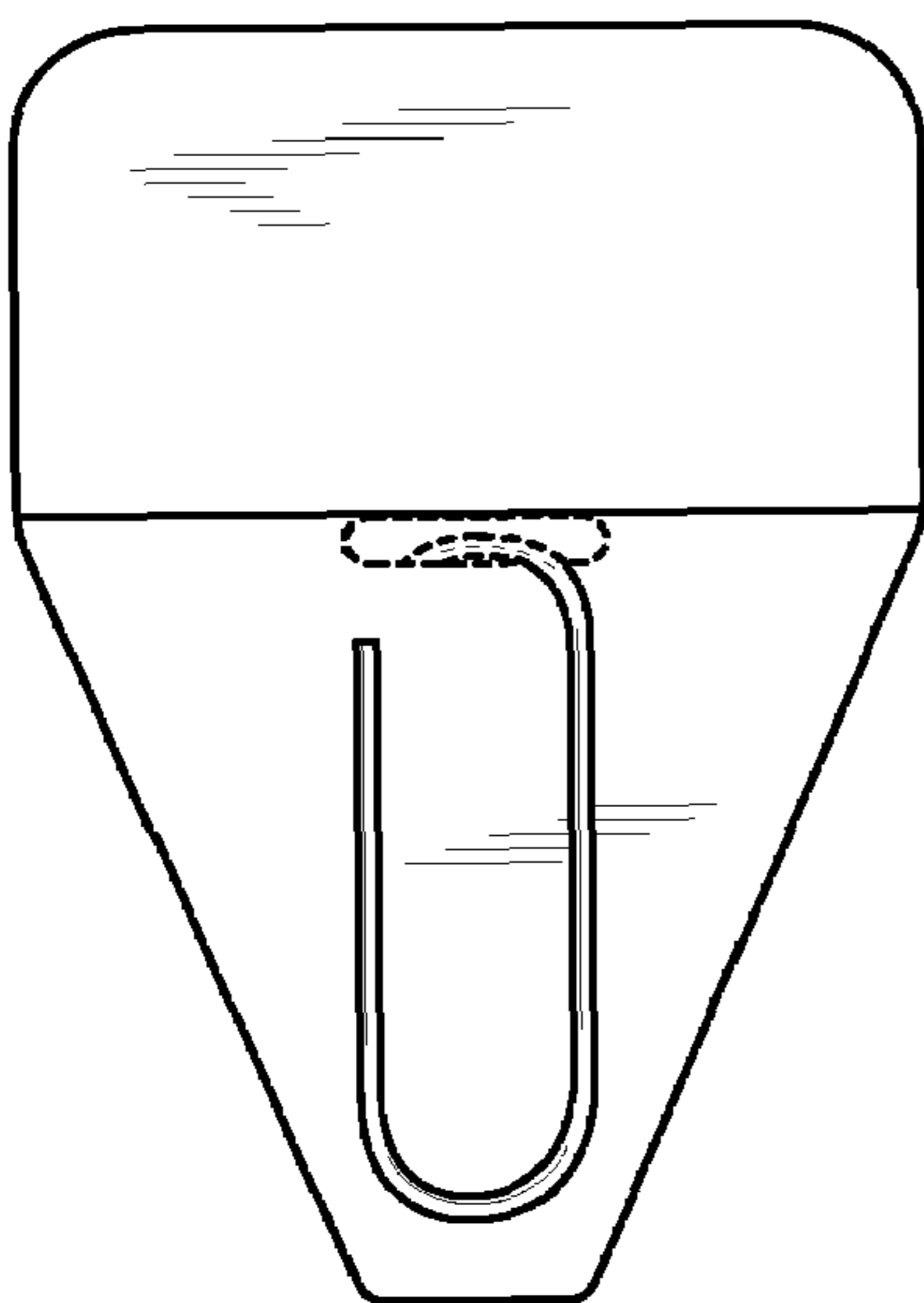


FIG. 122



FIG. 123

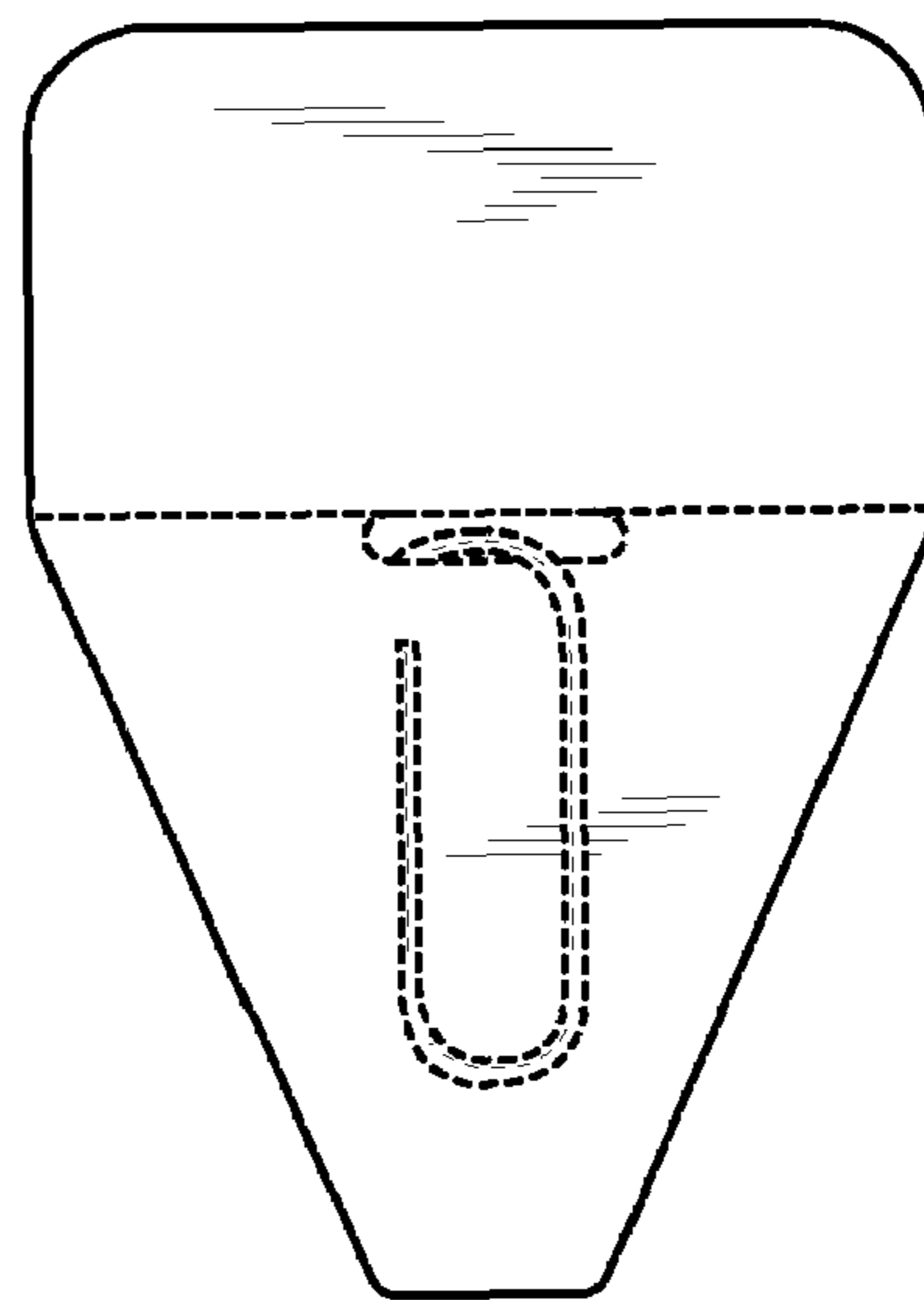
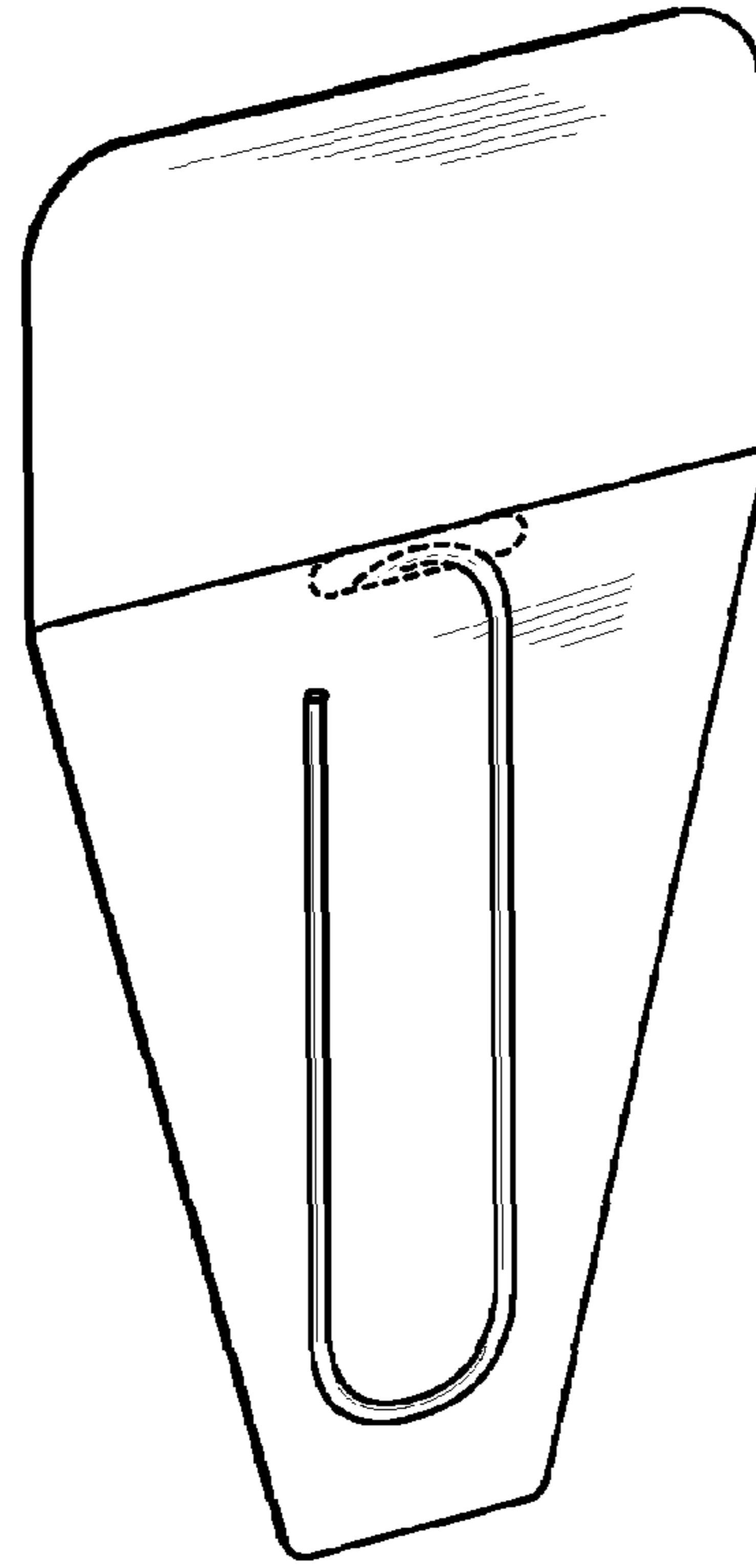


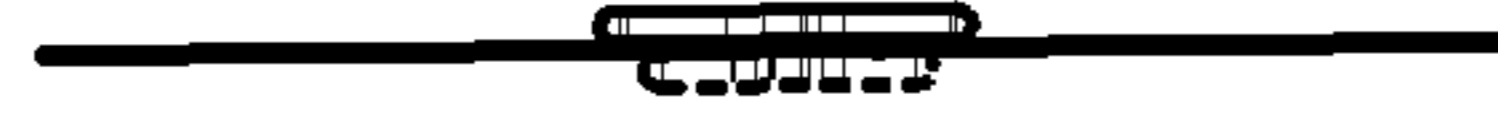
FIG. 124



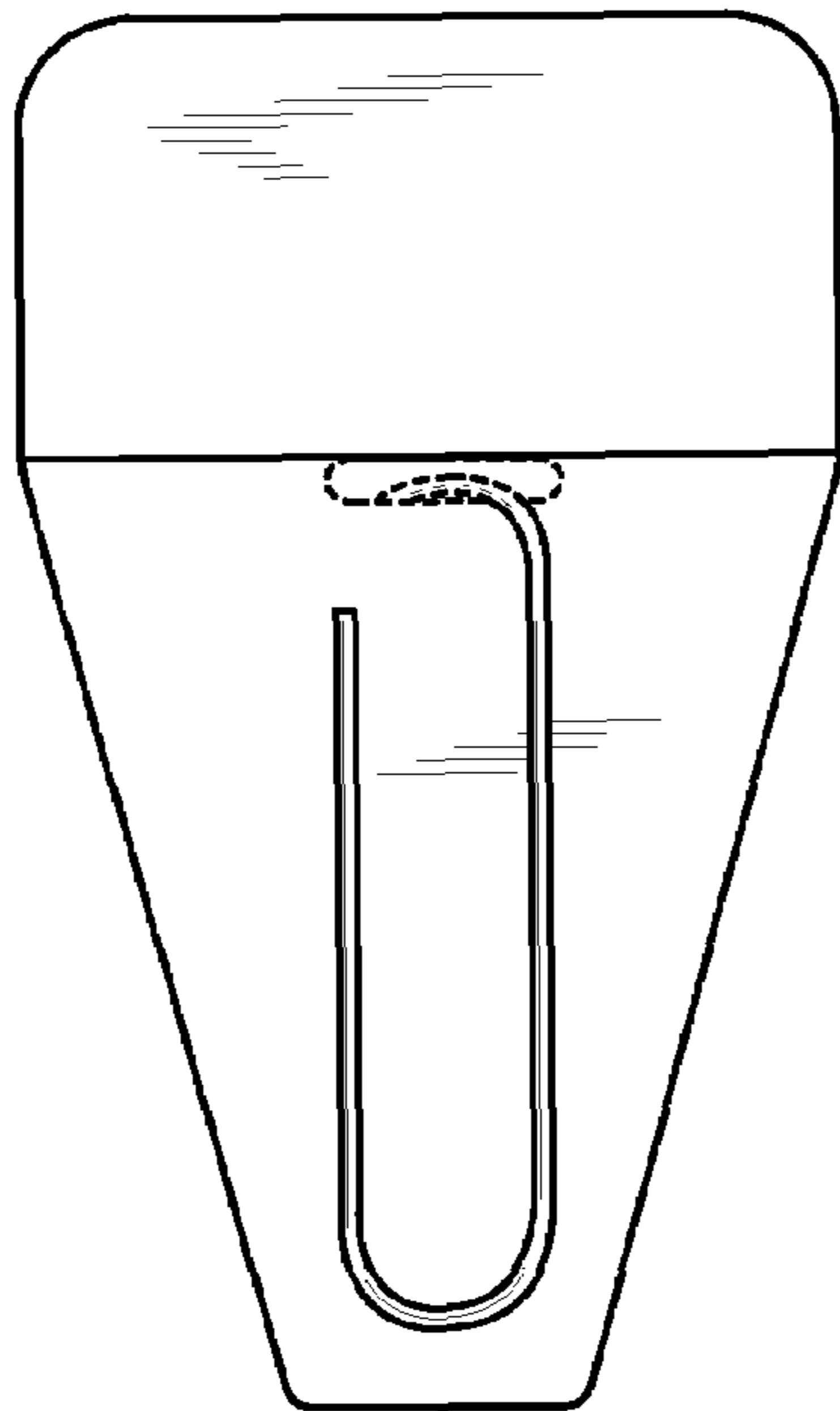
*FIG. 127*



*FIG. 131*



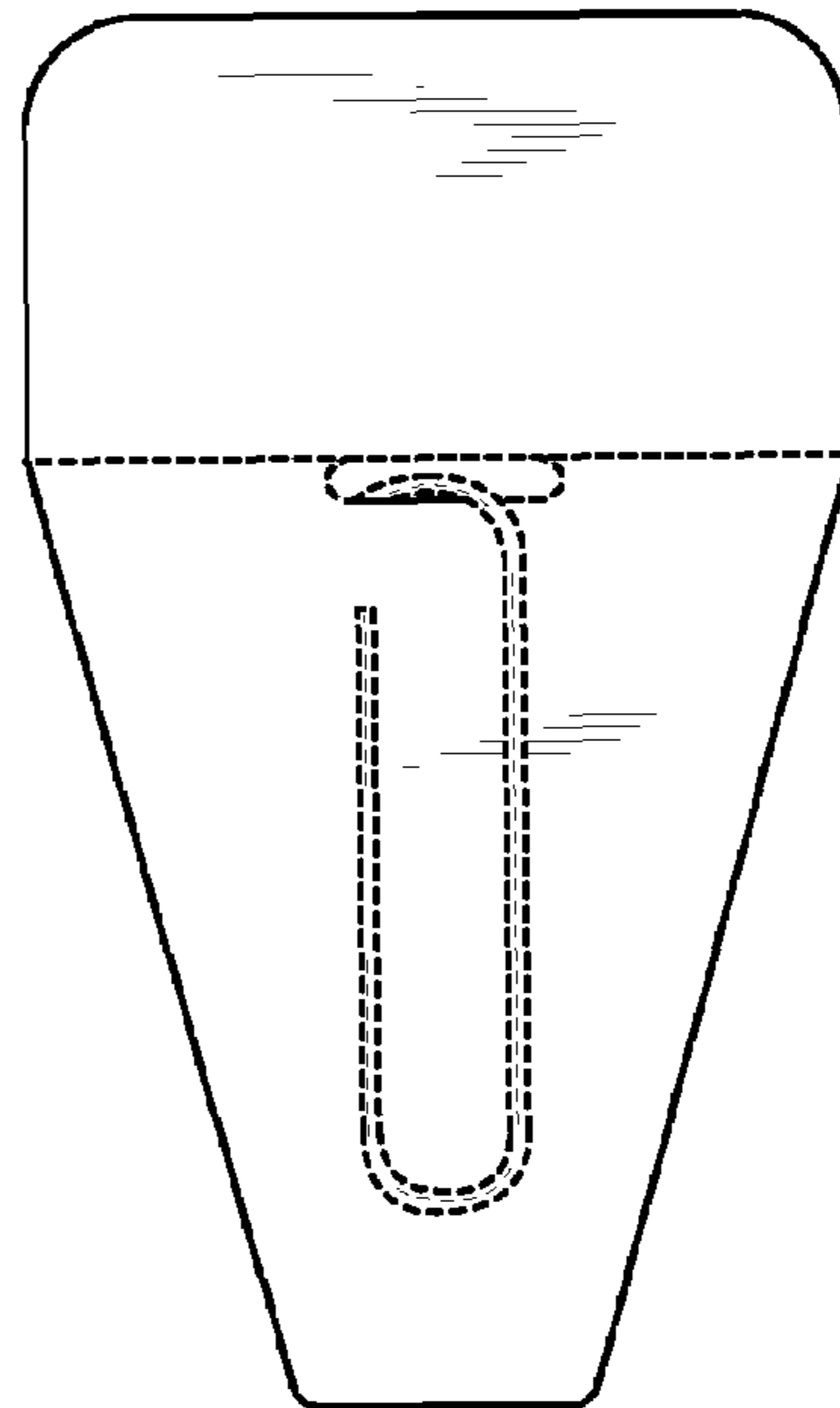
*FIG. 132*



*FIG. 128*



*FIG. 129*



*FIG. 130*

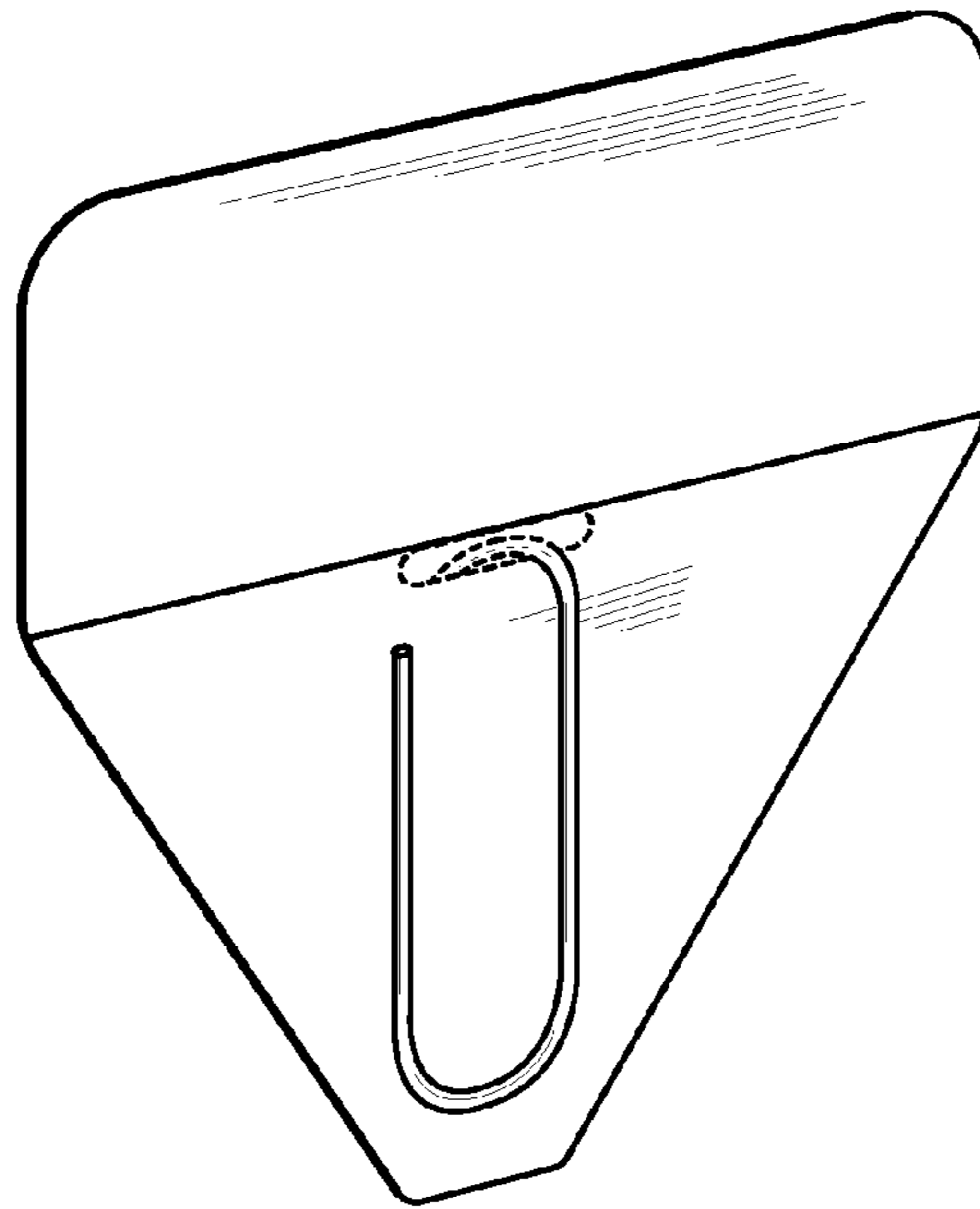


FIG. 133



FIG. 137



FIG. 138

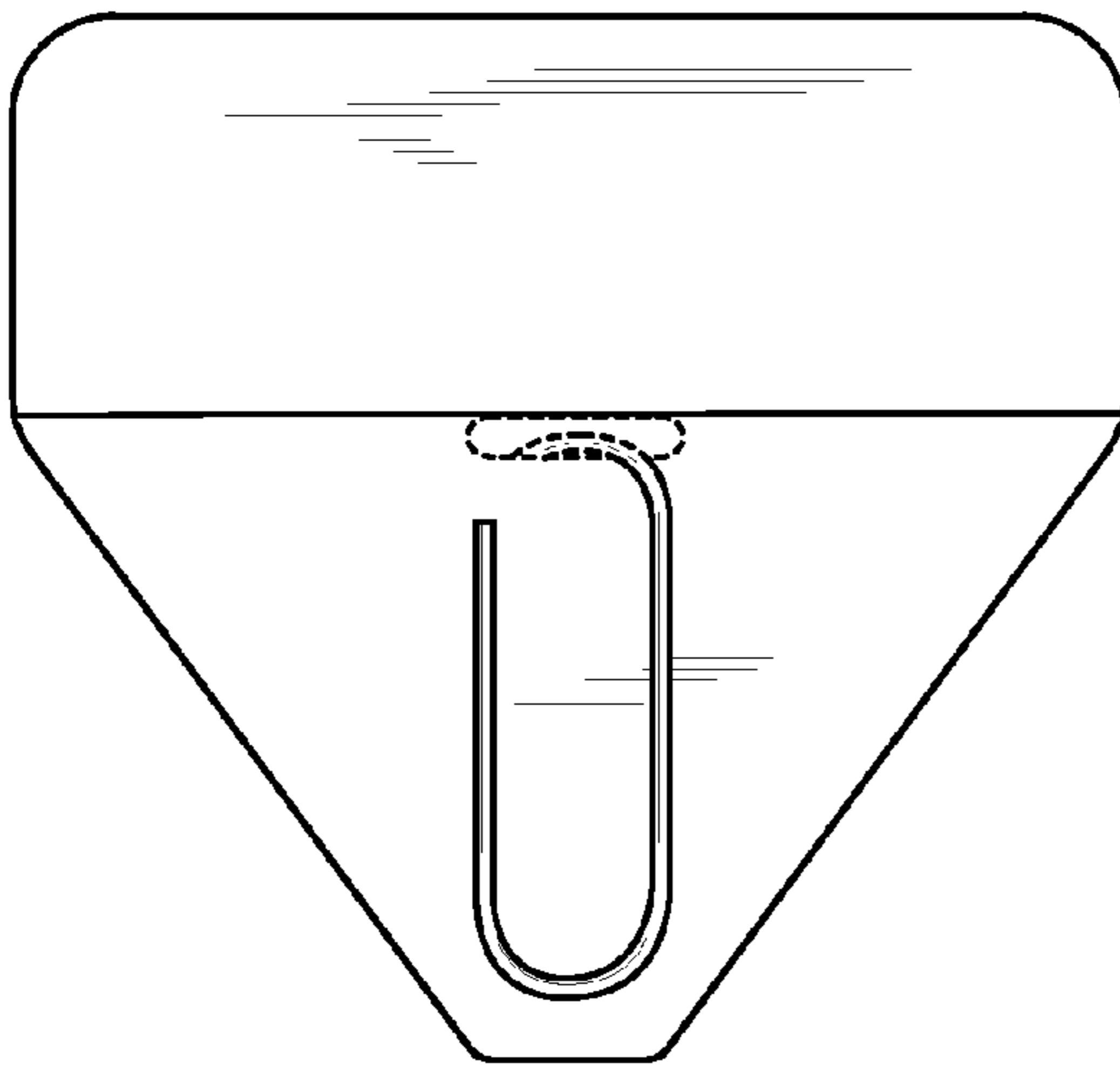


FIG. 134



FIG. 135

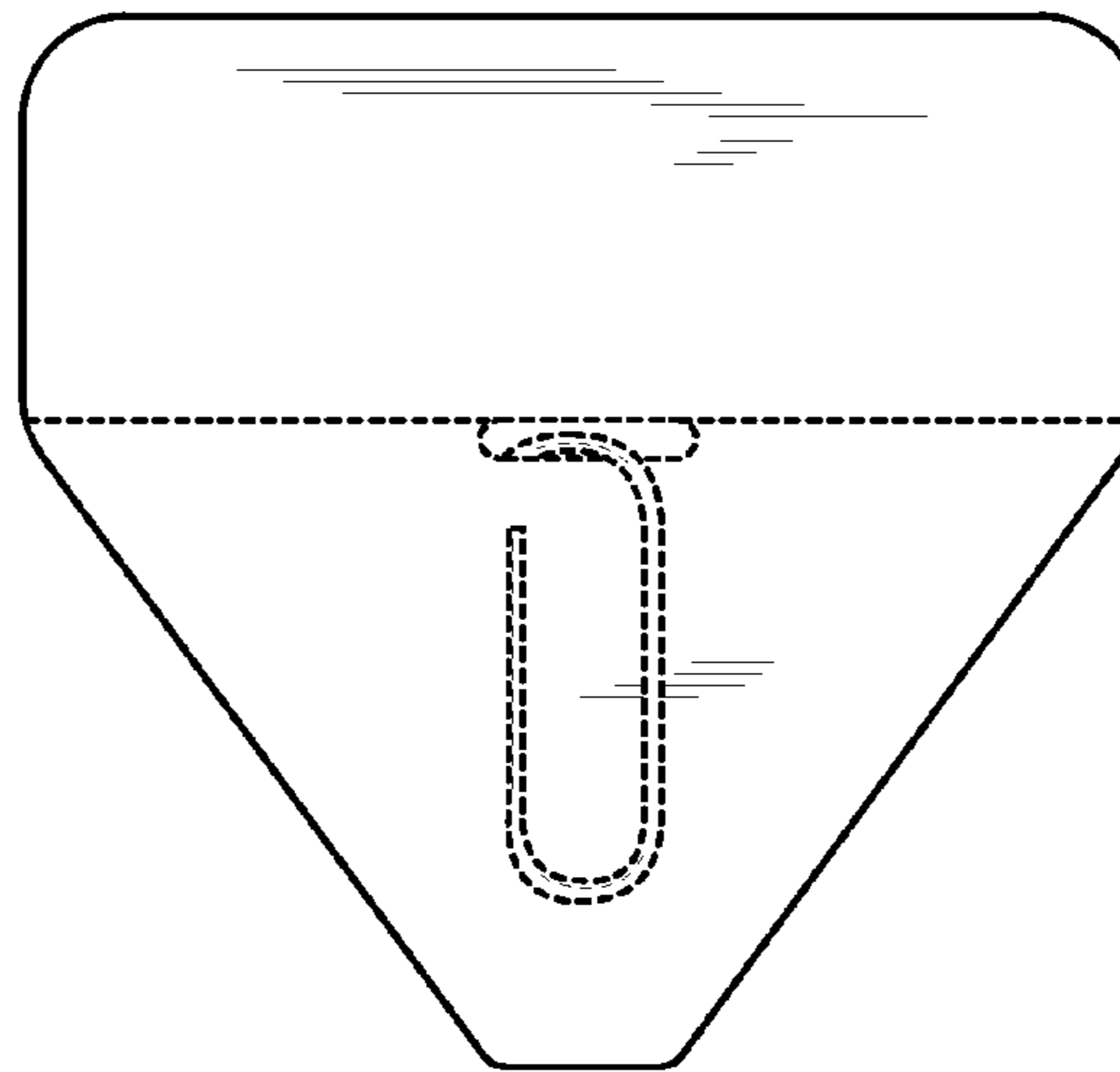


FIG. 136

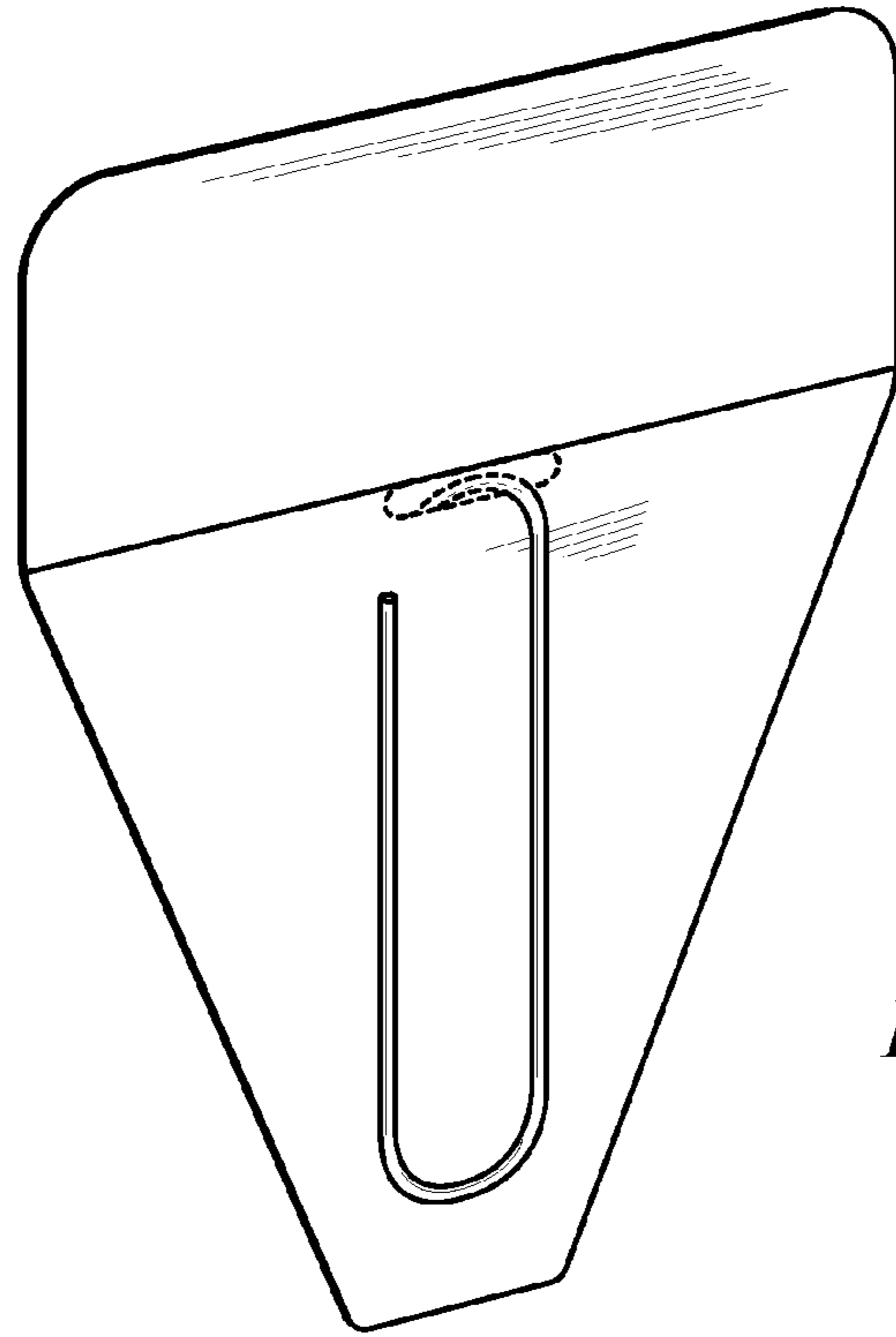


FIG. 139



FIG. 143



FIG. 144

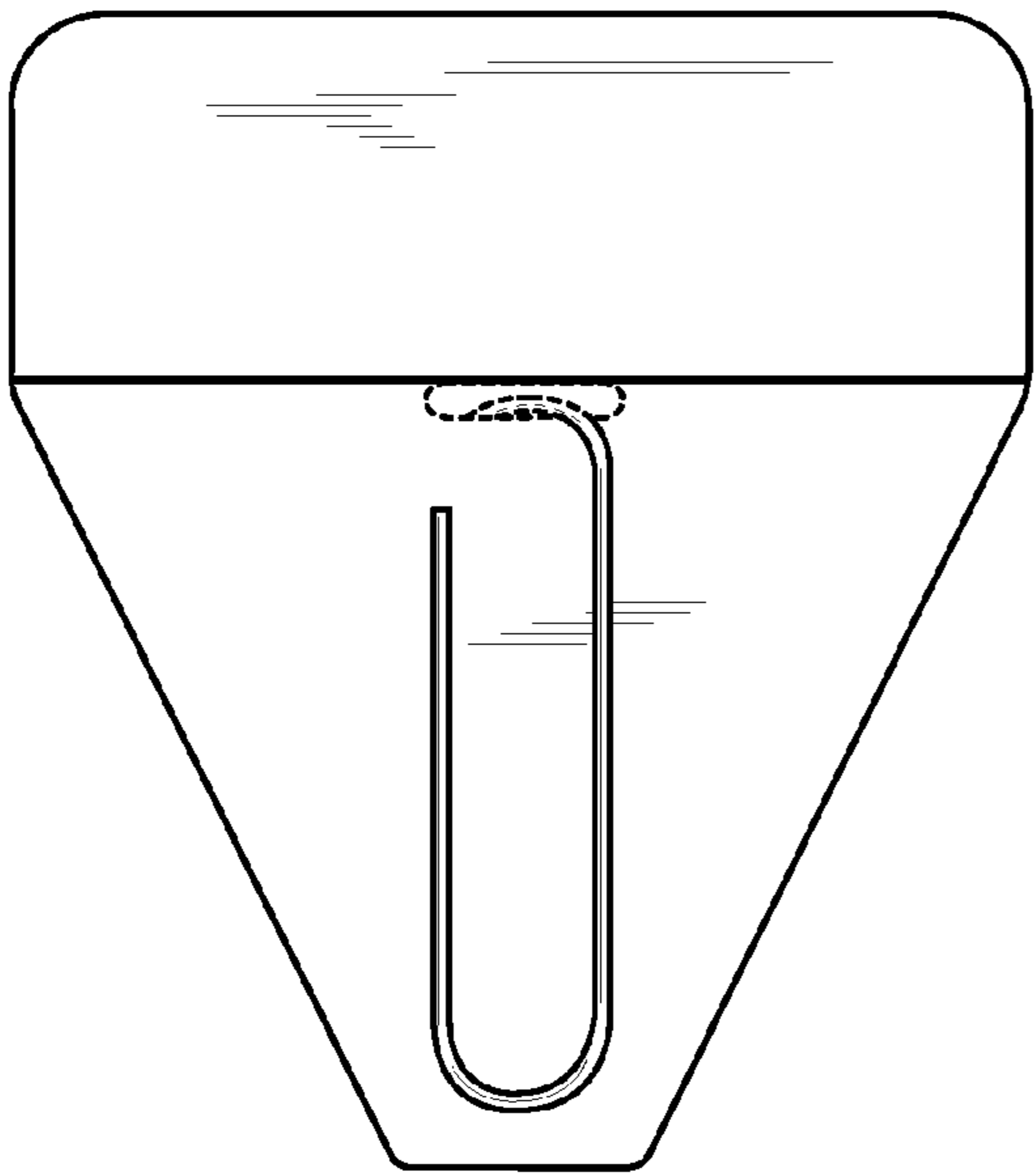


FIG. 140



FIG. 141

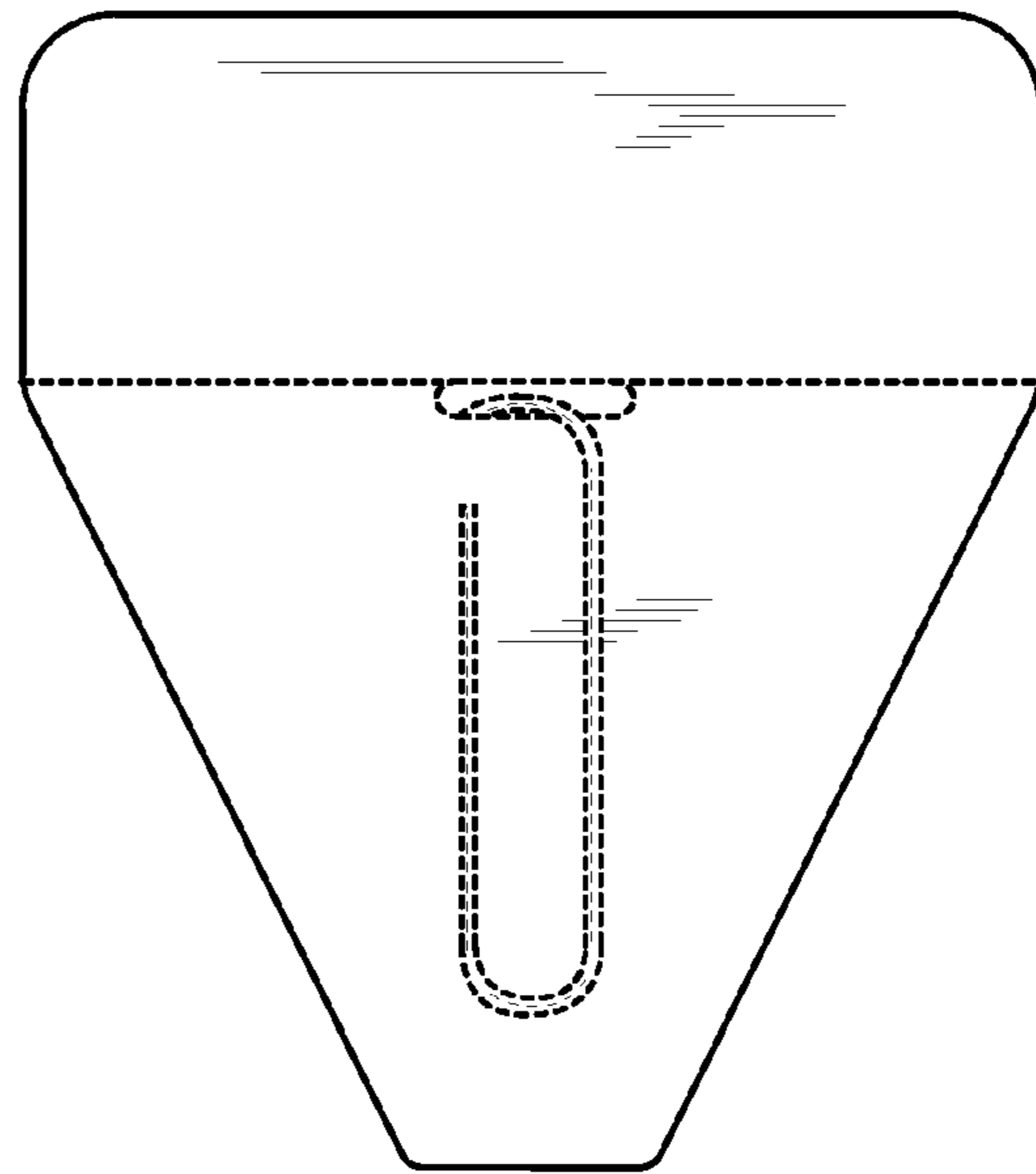
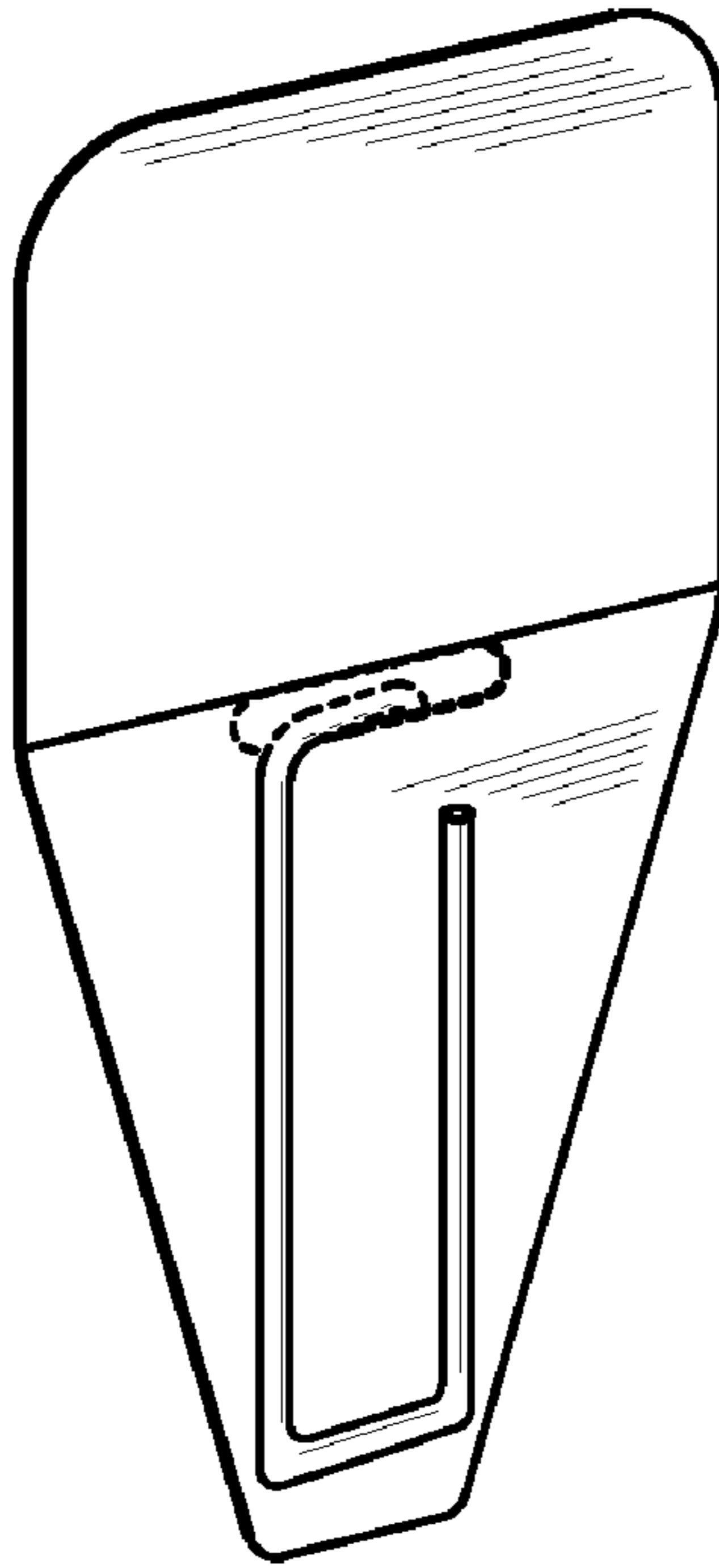


FIG. 142



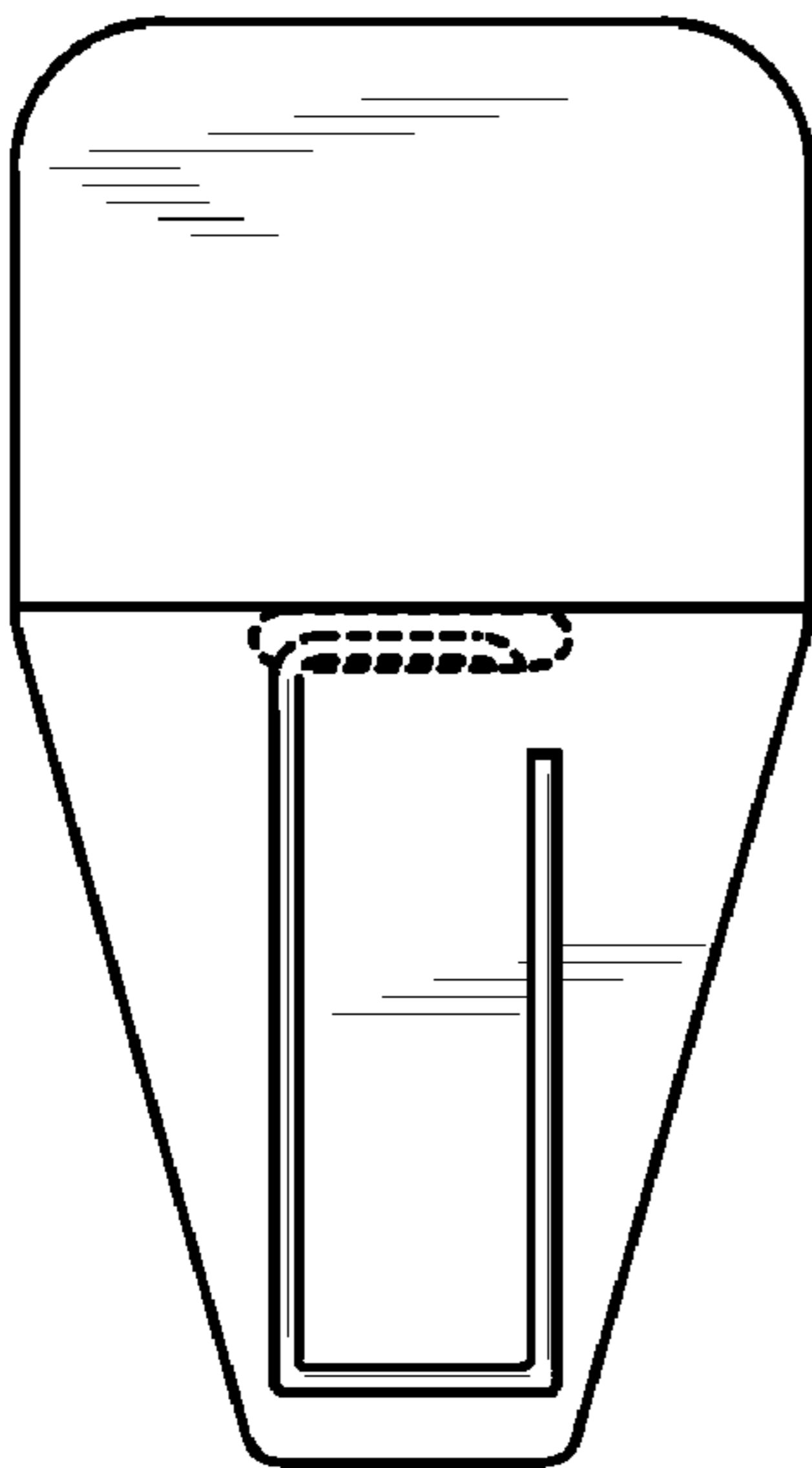
*FIG. 145*



*FIG. 149*



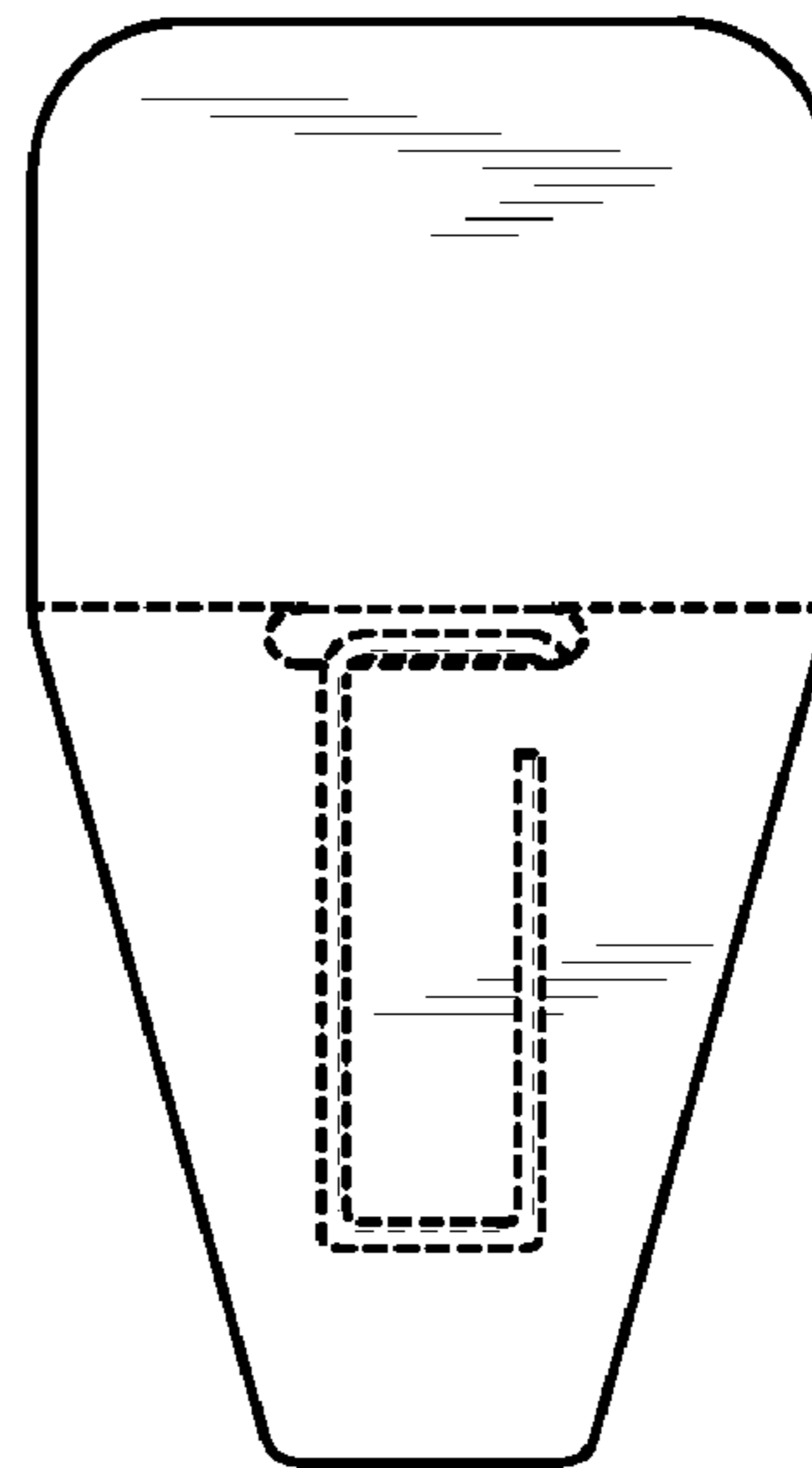
*FIG. 150*



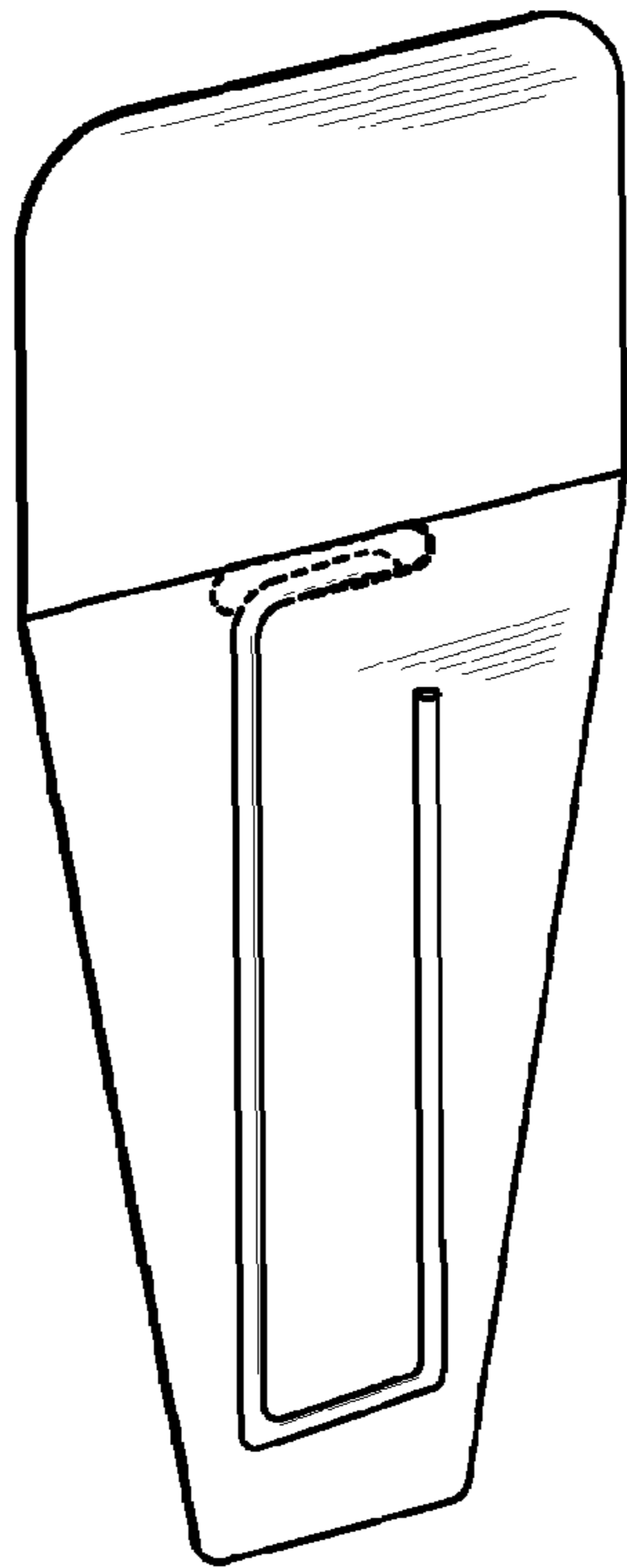
*FIG. 146*



*FIG. 147*



*FIG. 148*



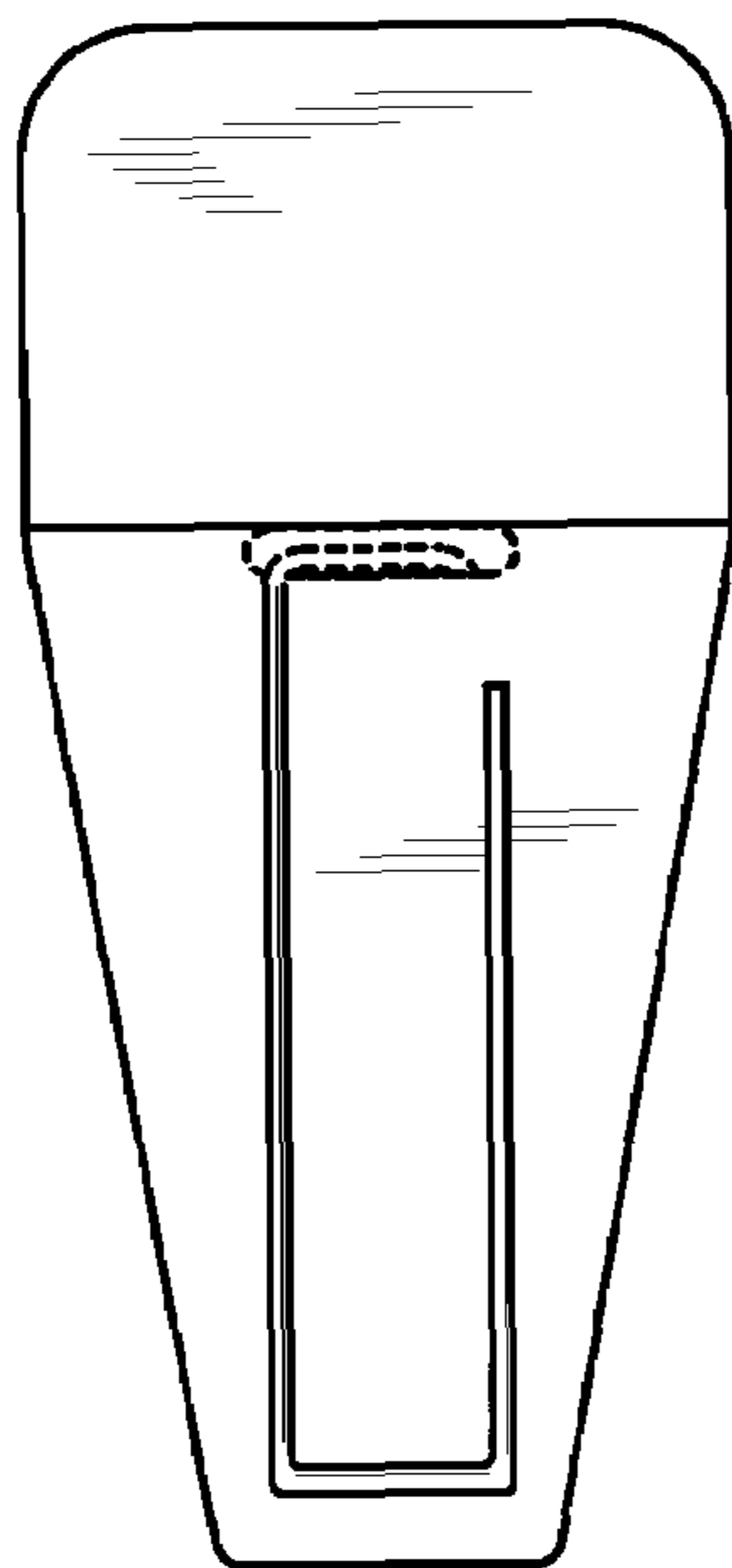
*FIG. 151*



*FIG. 155*



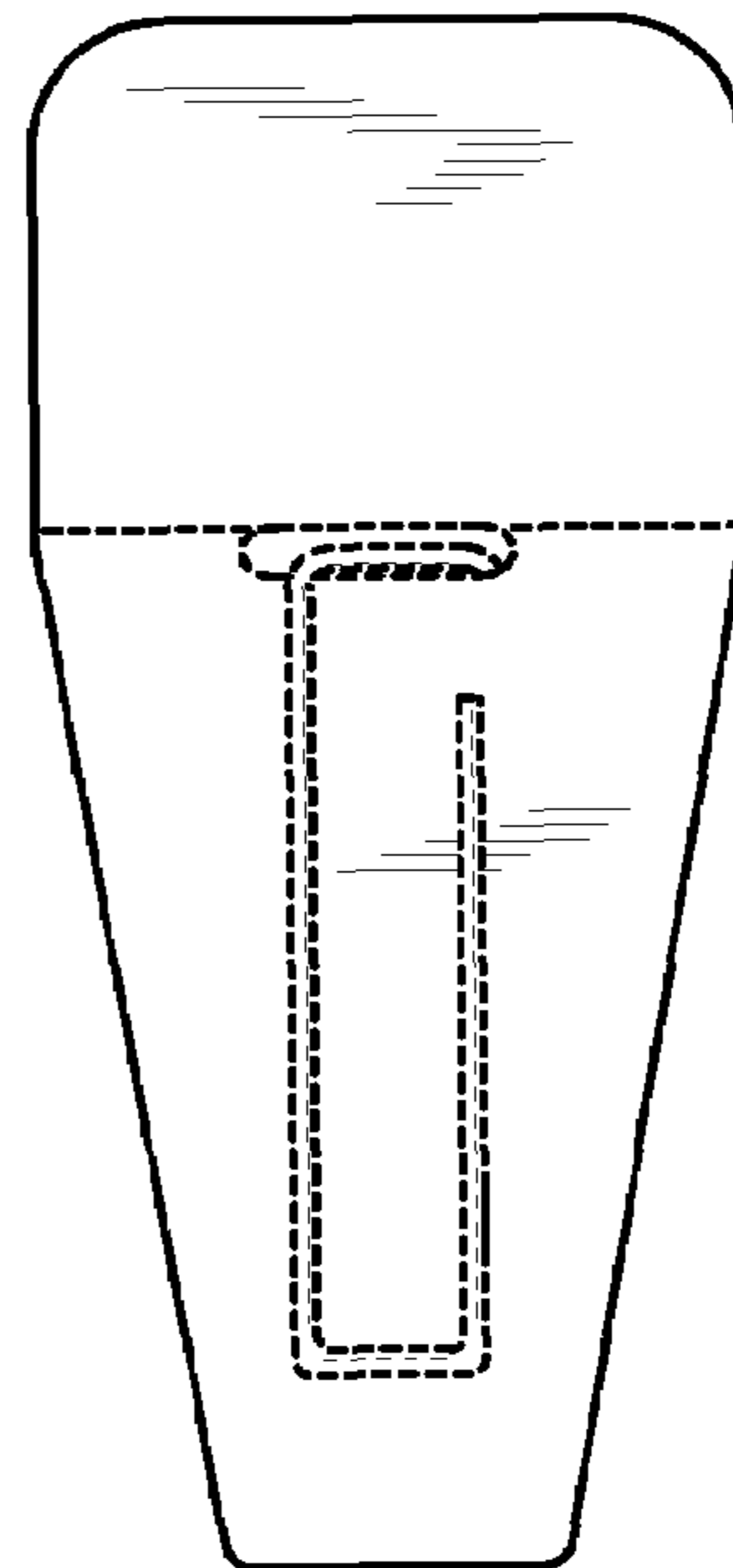
*FIG. 156*



*FIG. 152*



*FIG. 153*



*FIG. 154*

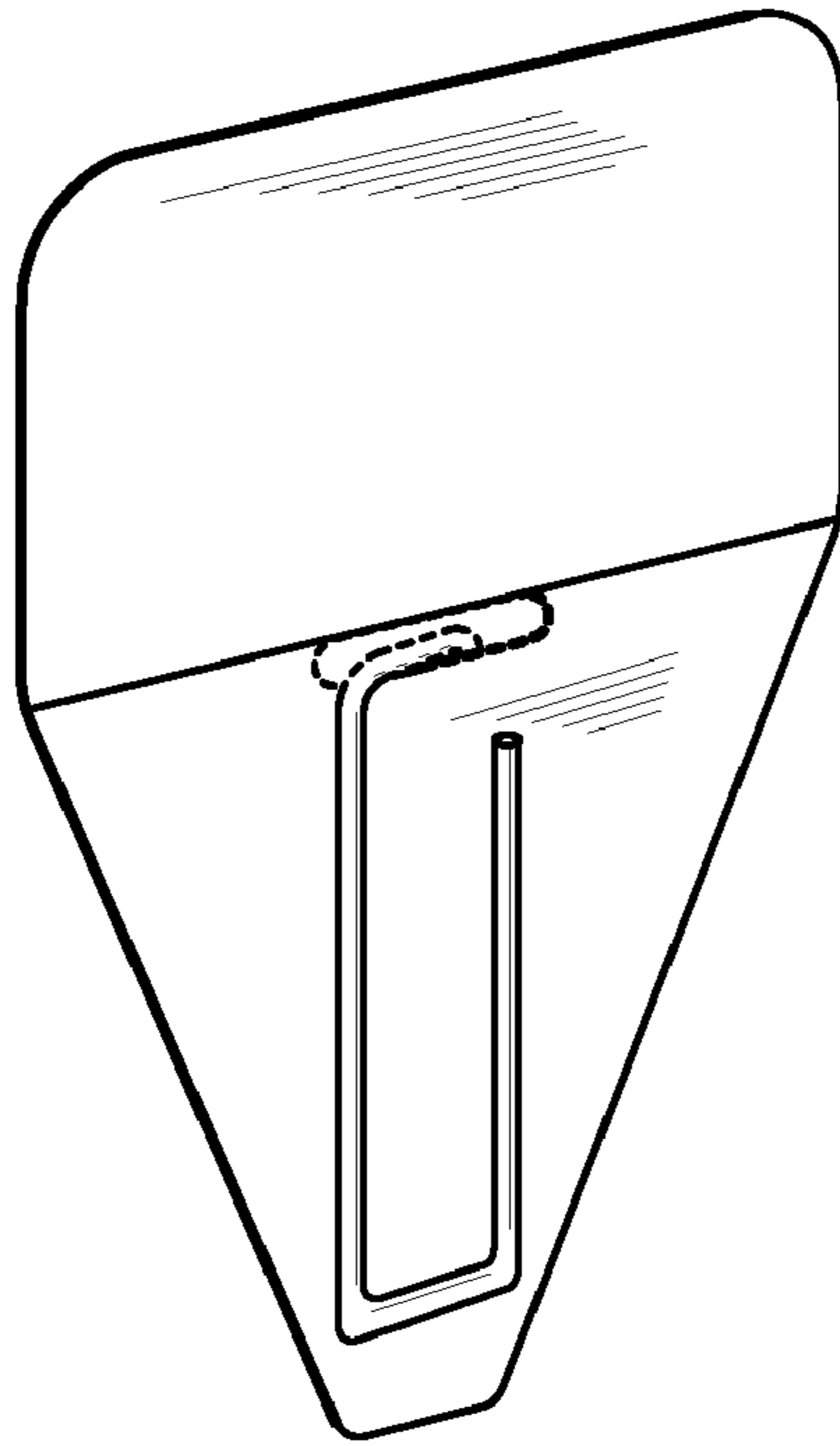


FIG. 157



FIG. 161



FIG. 162

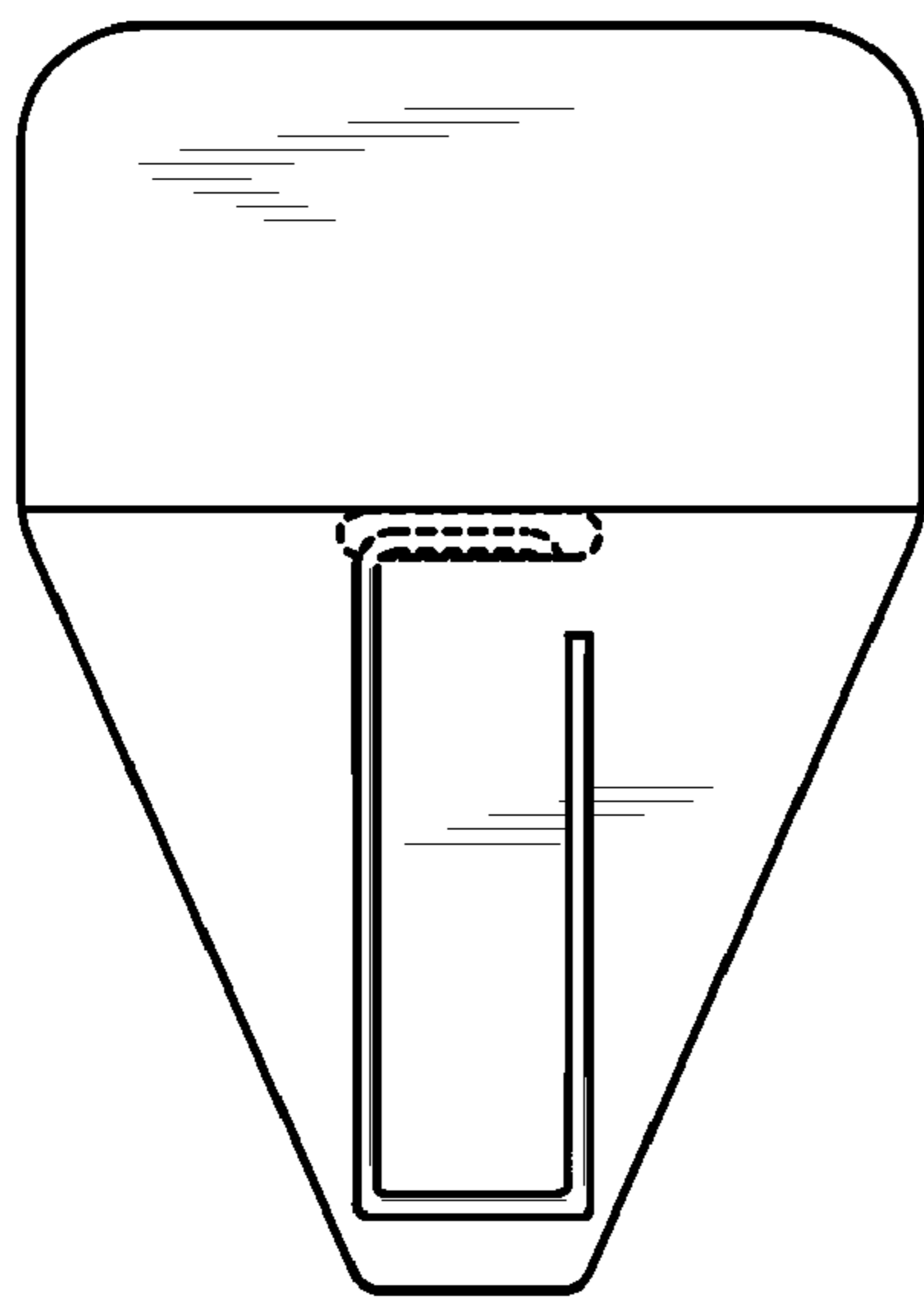


FIG. 158



FIG. 159

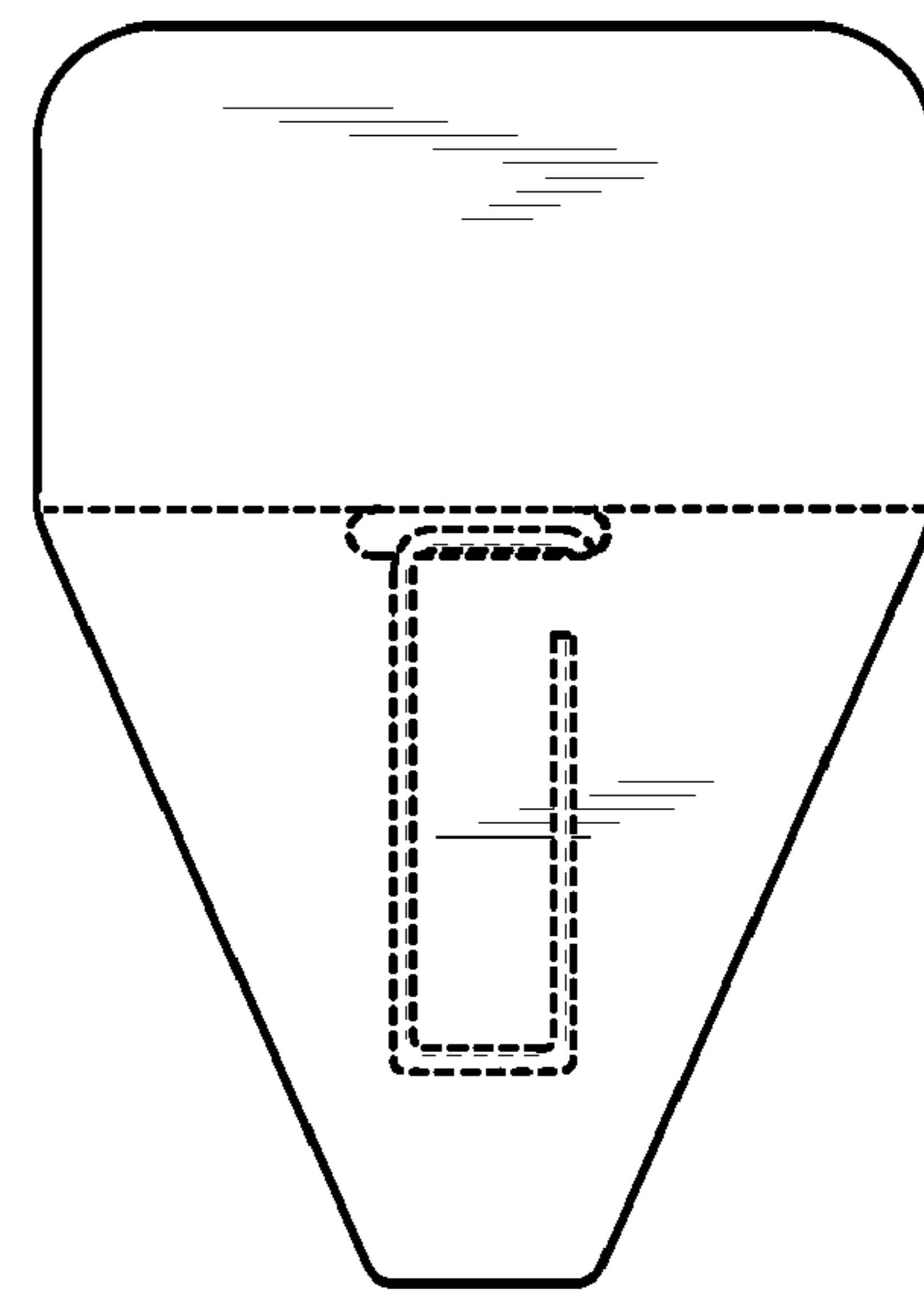


FIG. 160



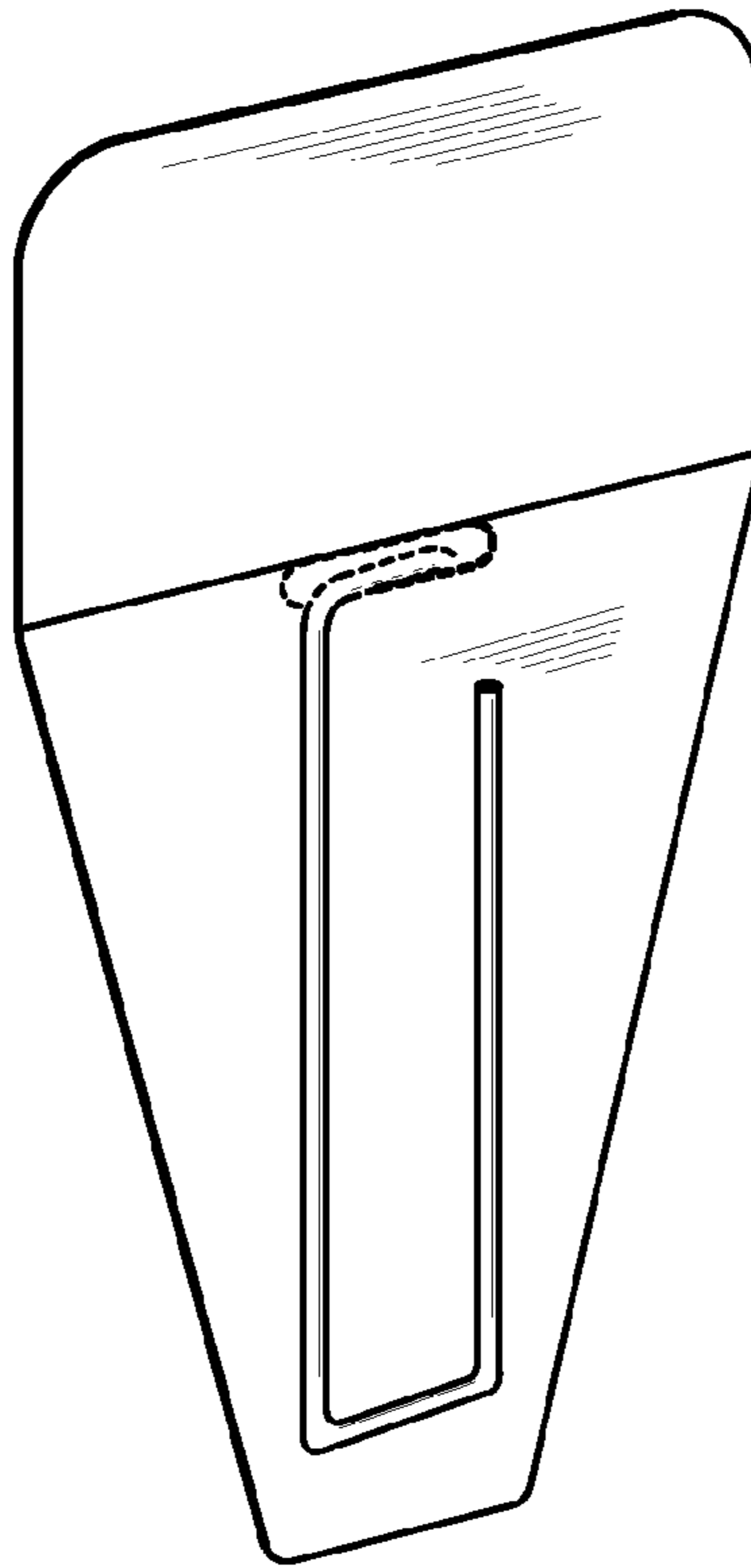


FIG. 163



FIG. 167



FIG. 168

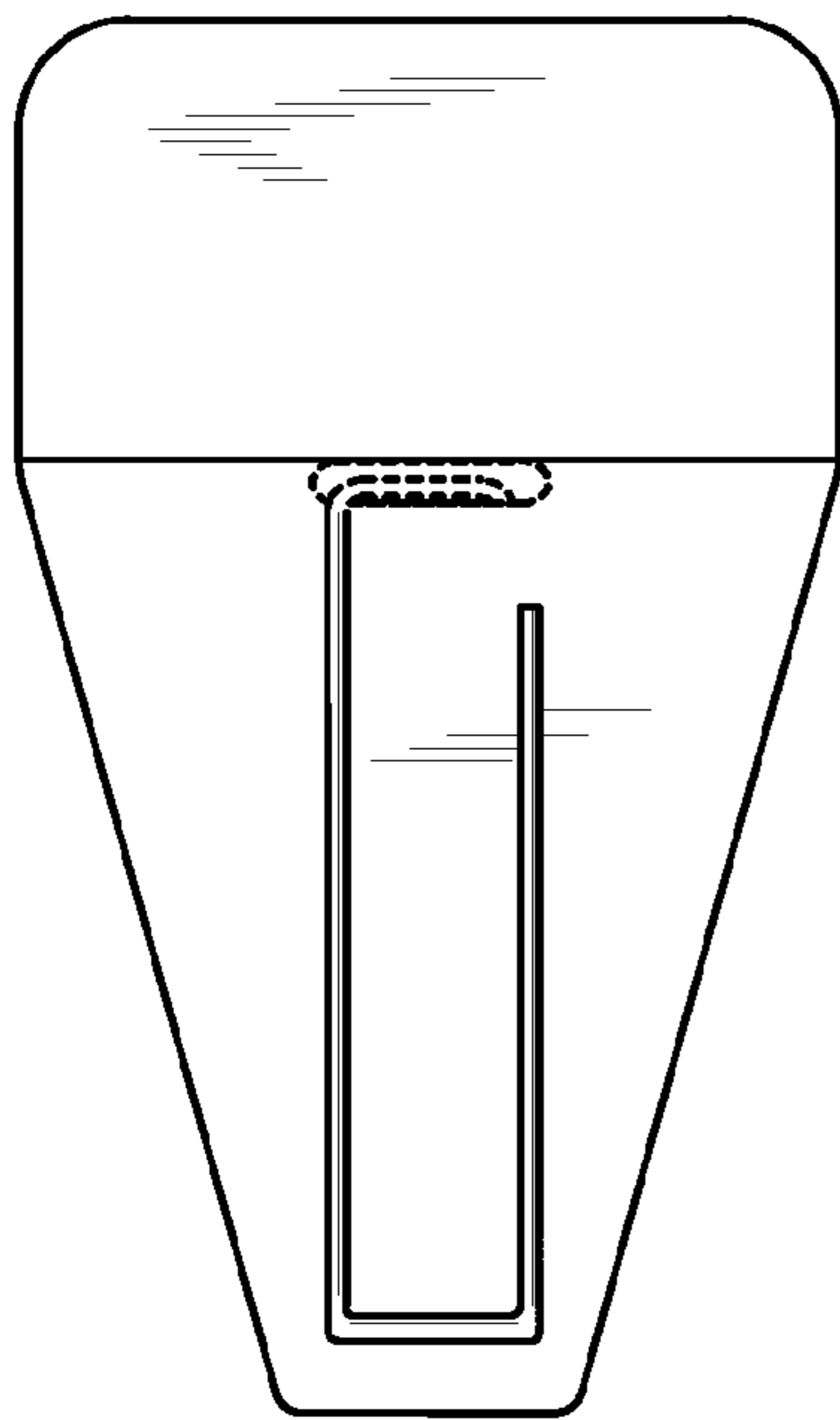


FIG. 164



FIG. 165

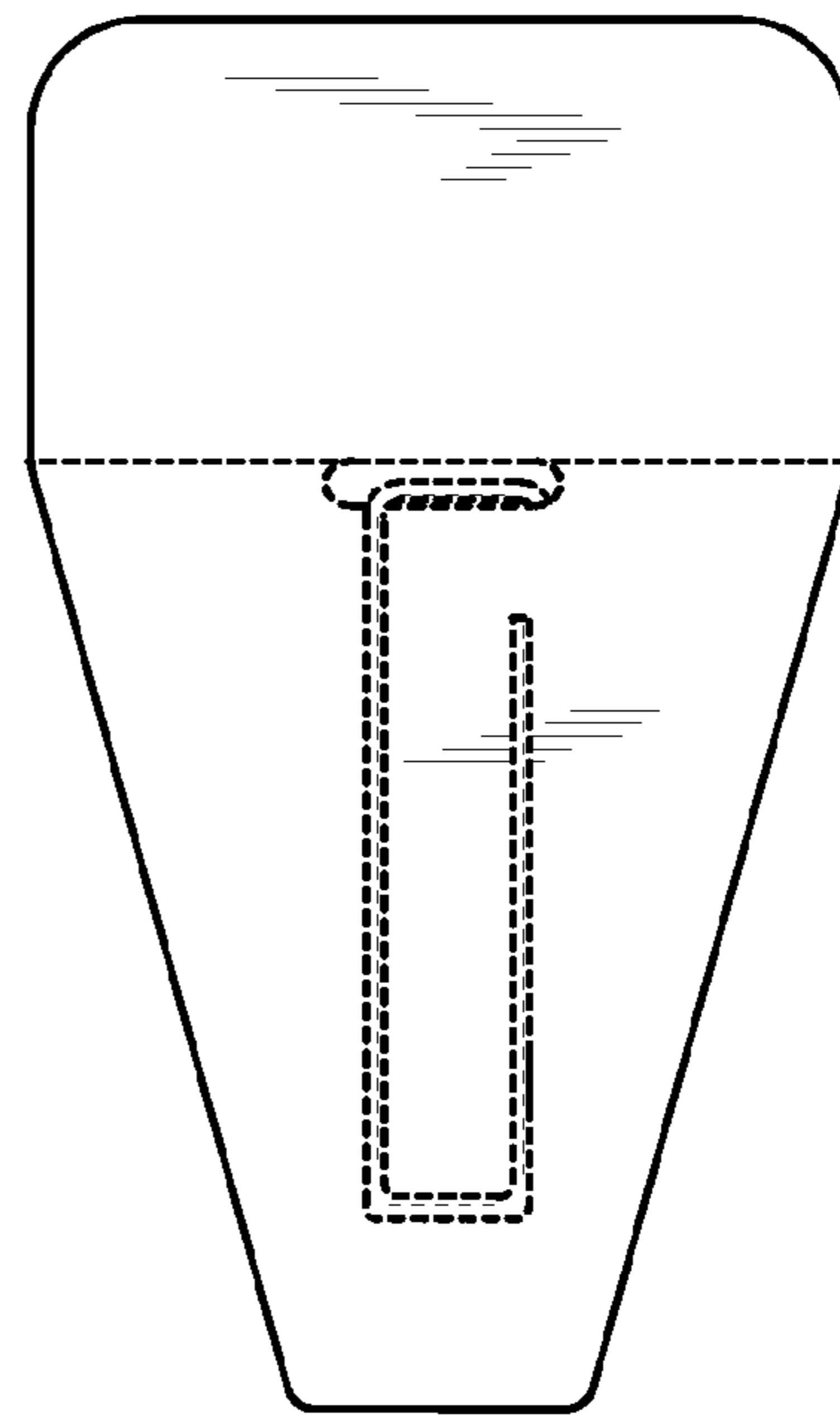


FIG. 166

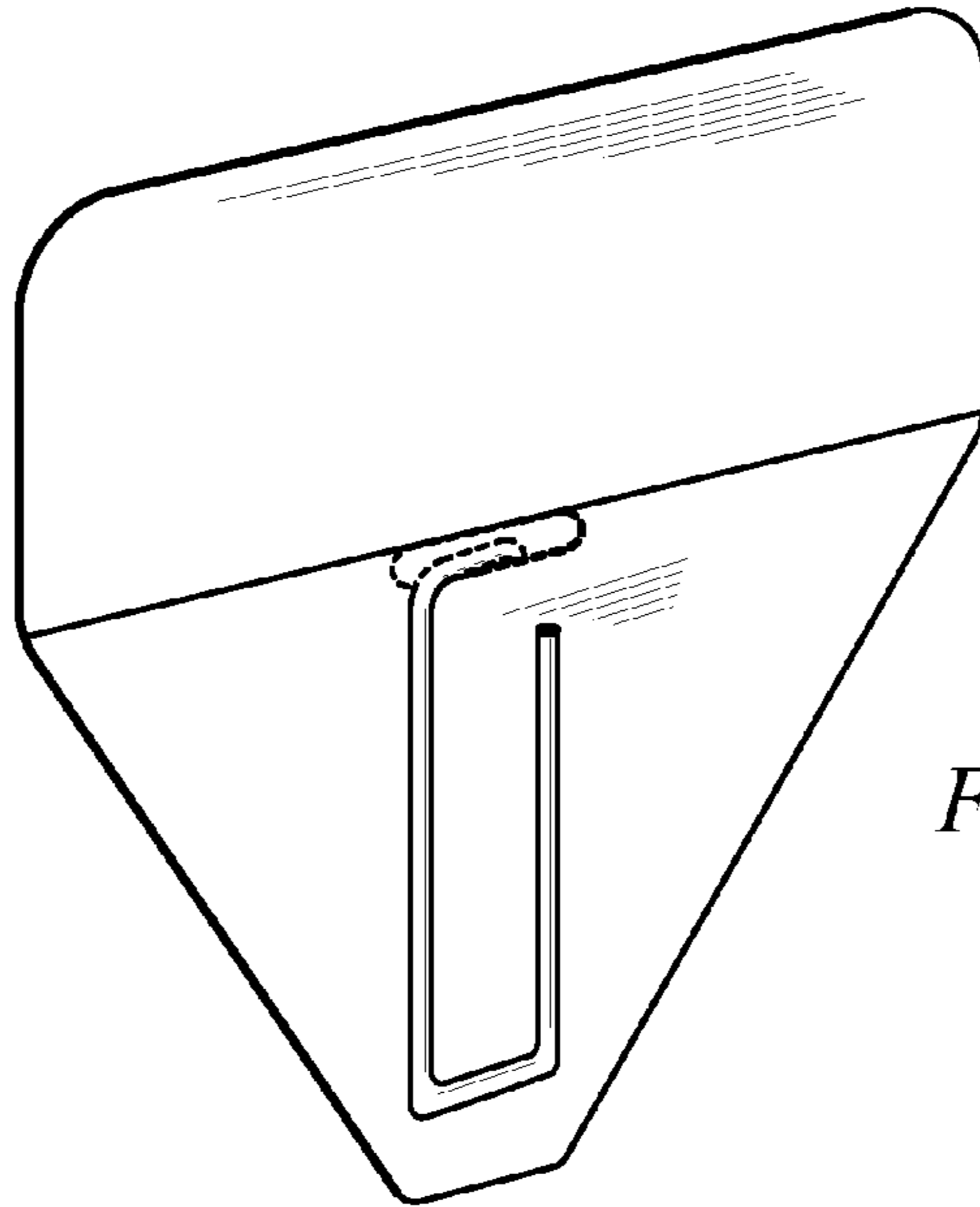


FIG. 169



FIG. 173

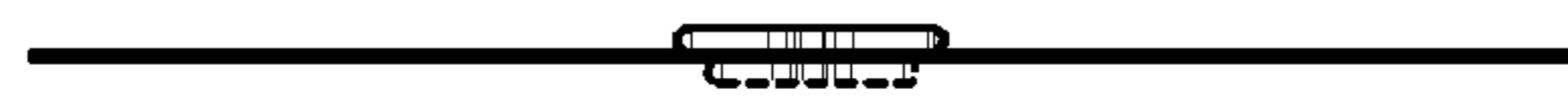


FIG. 174

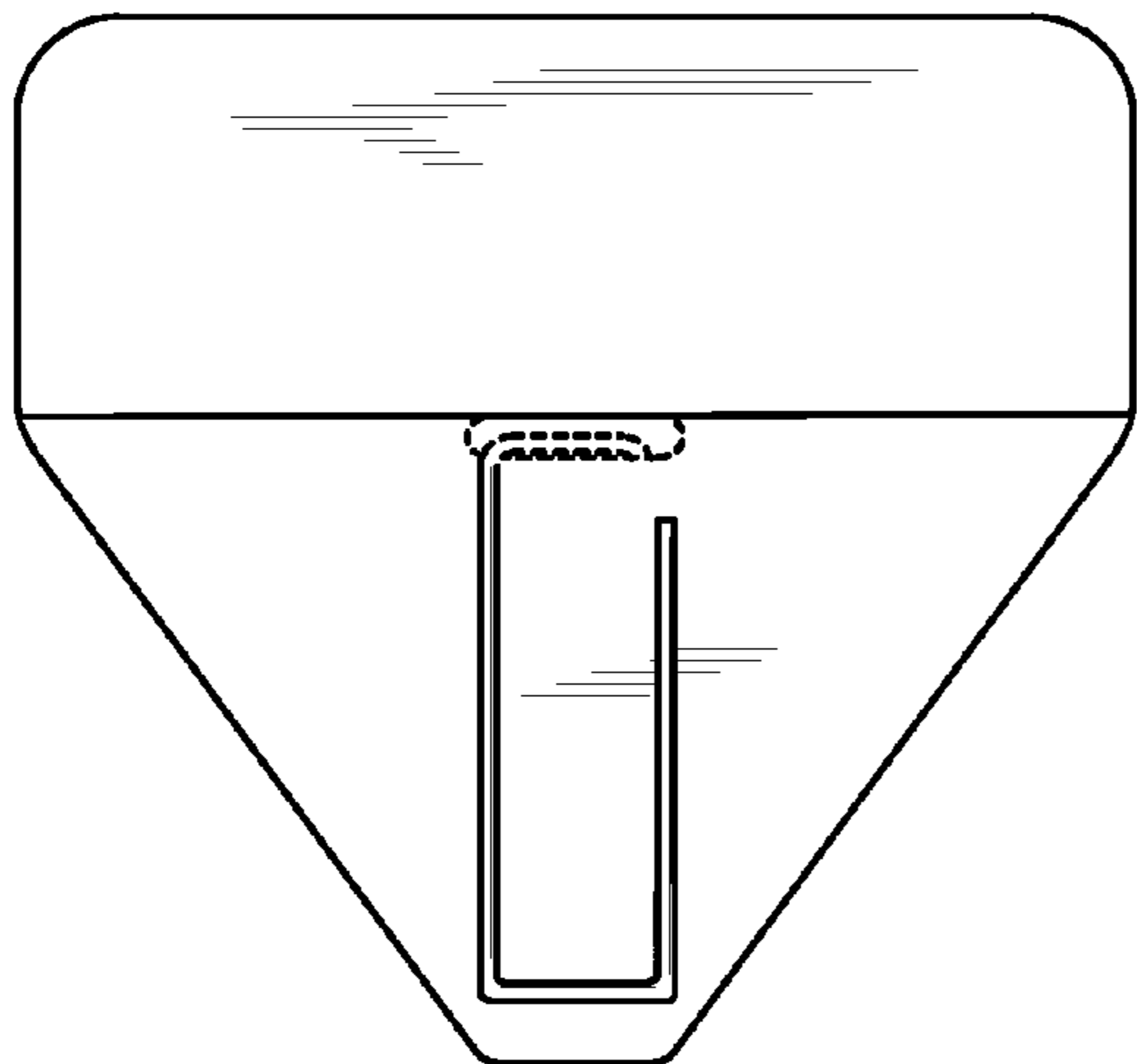


FIG. 170



FIG. 171

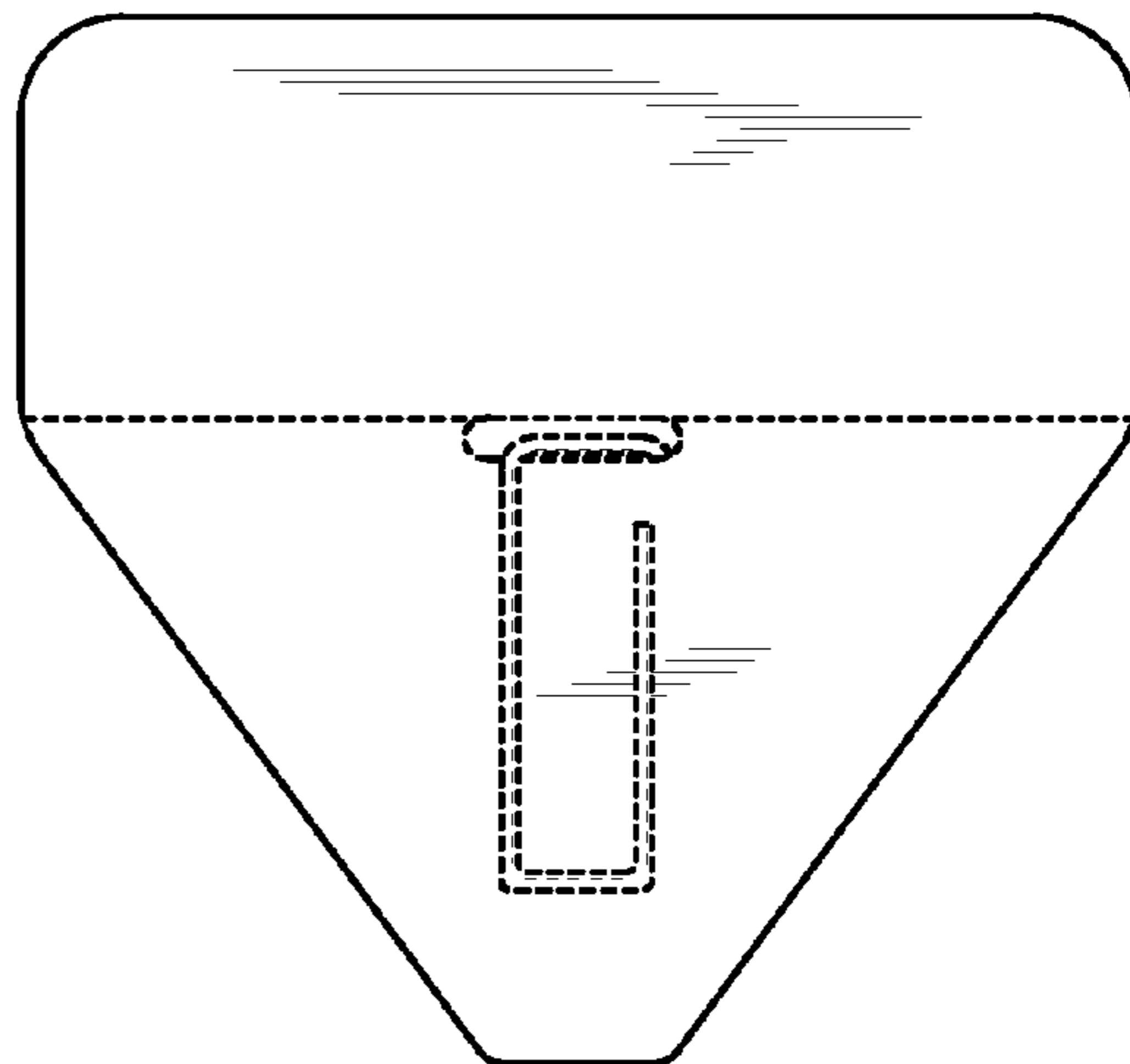


FIG. 172

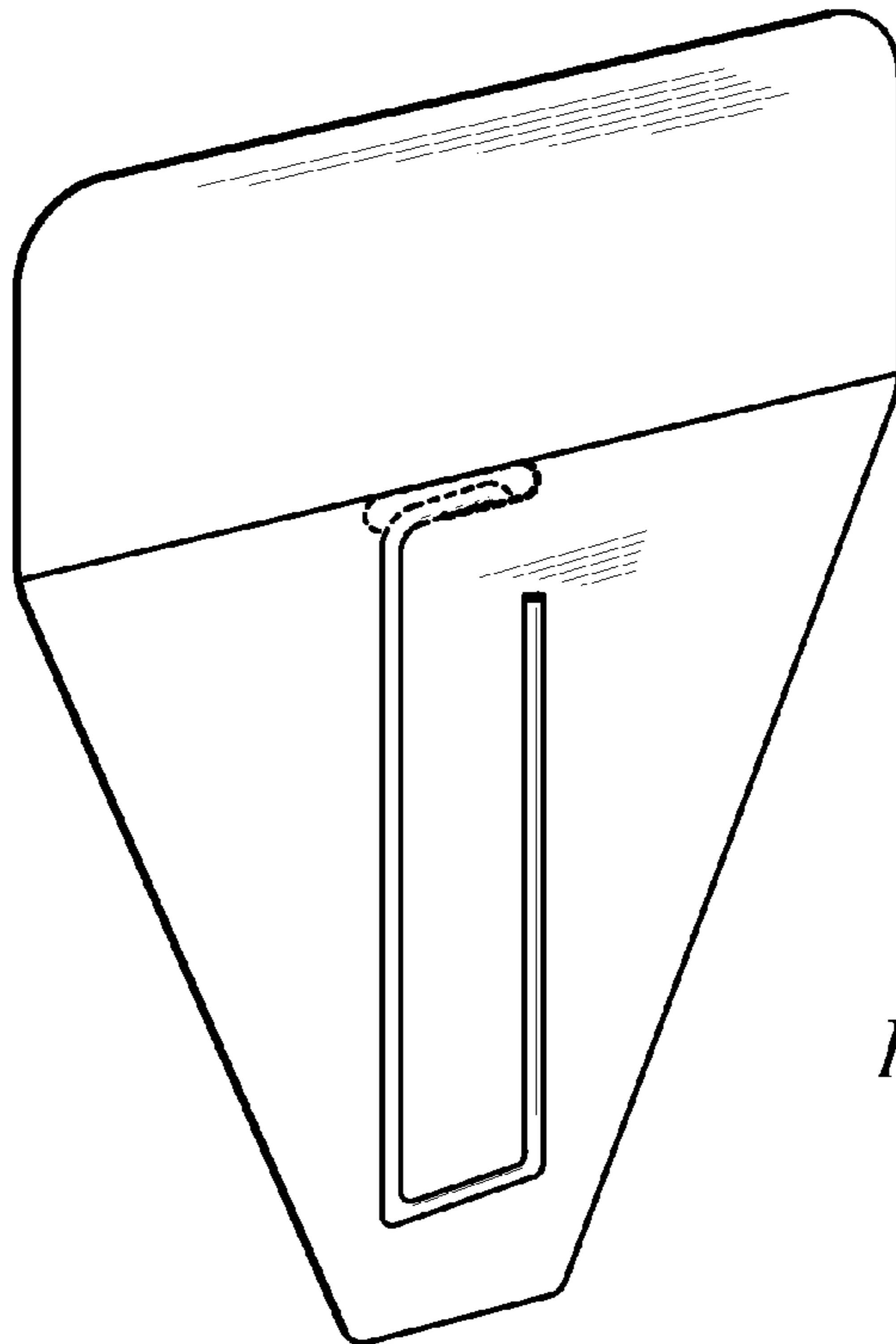


FIG. 175



FIG. 179

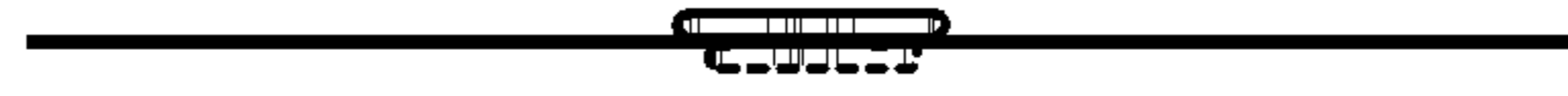


FIG. 180

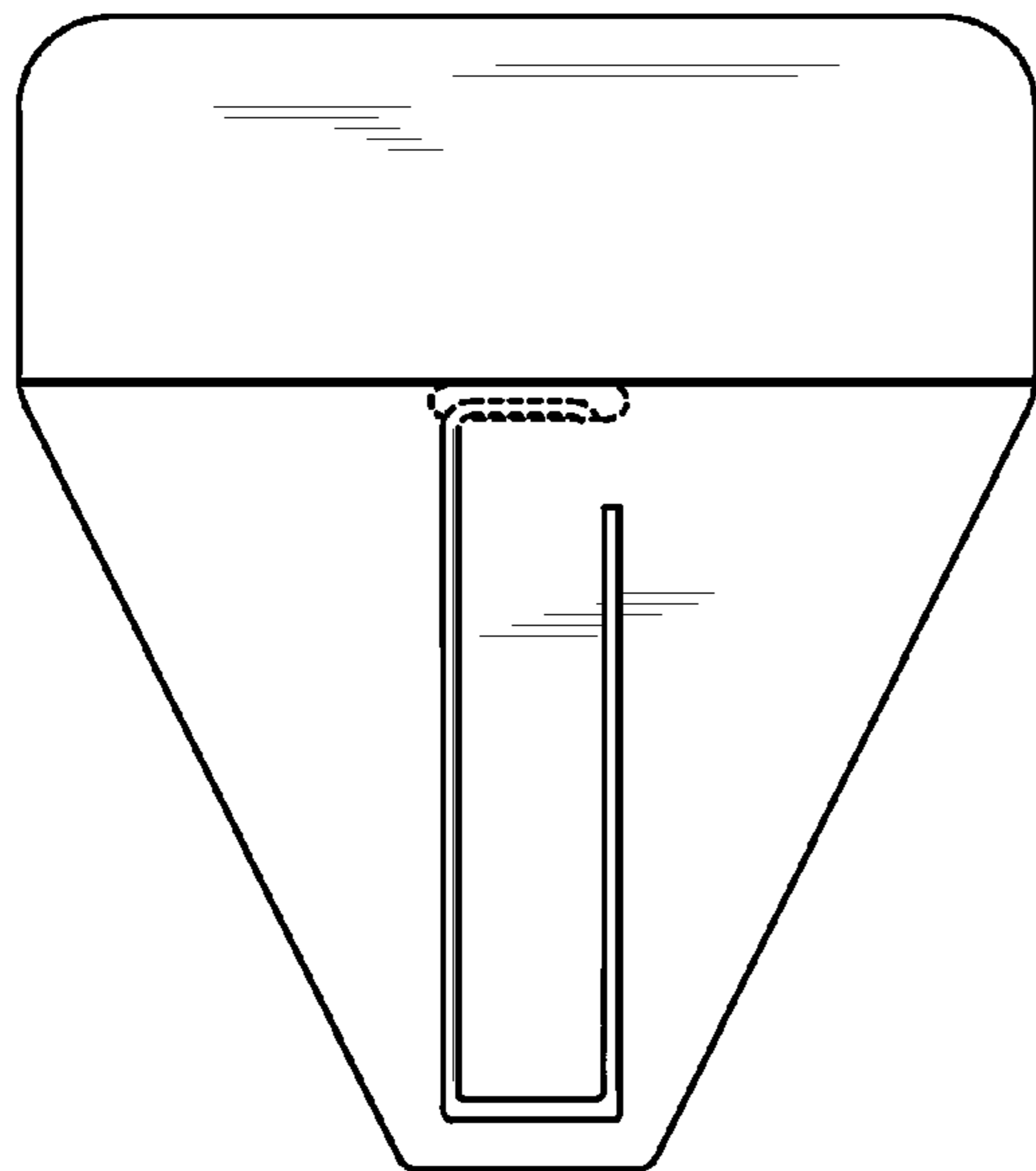


FIG. 176



FIG. 177

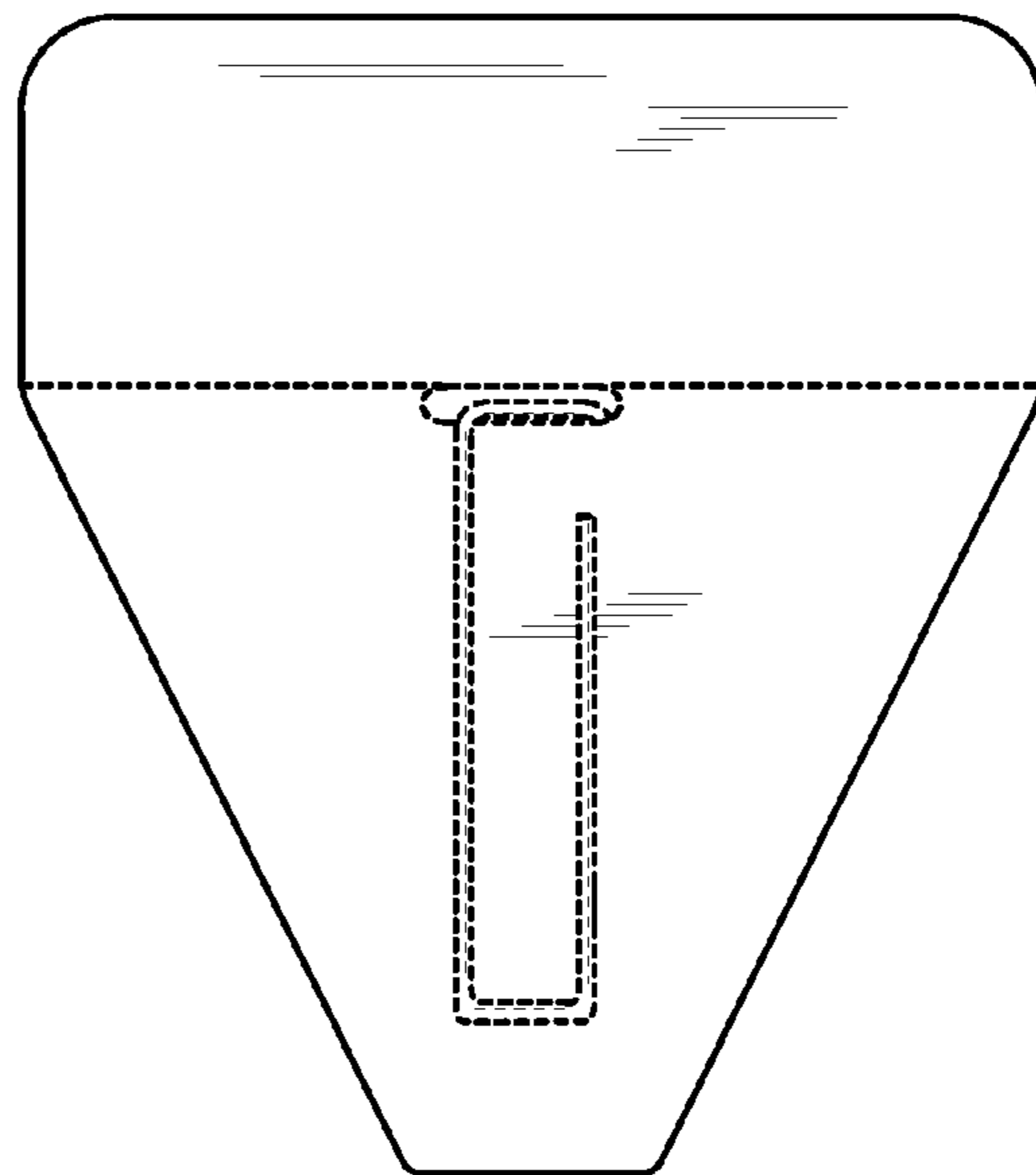
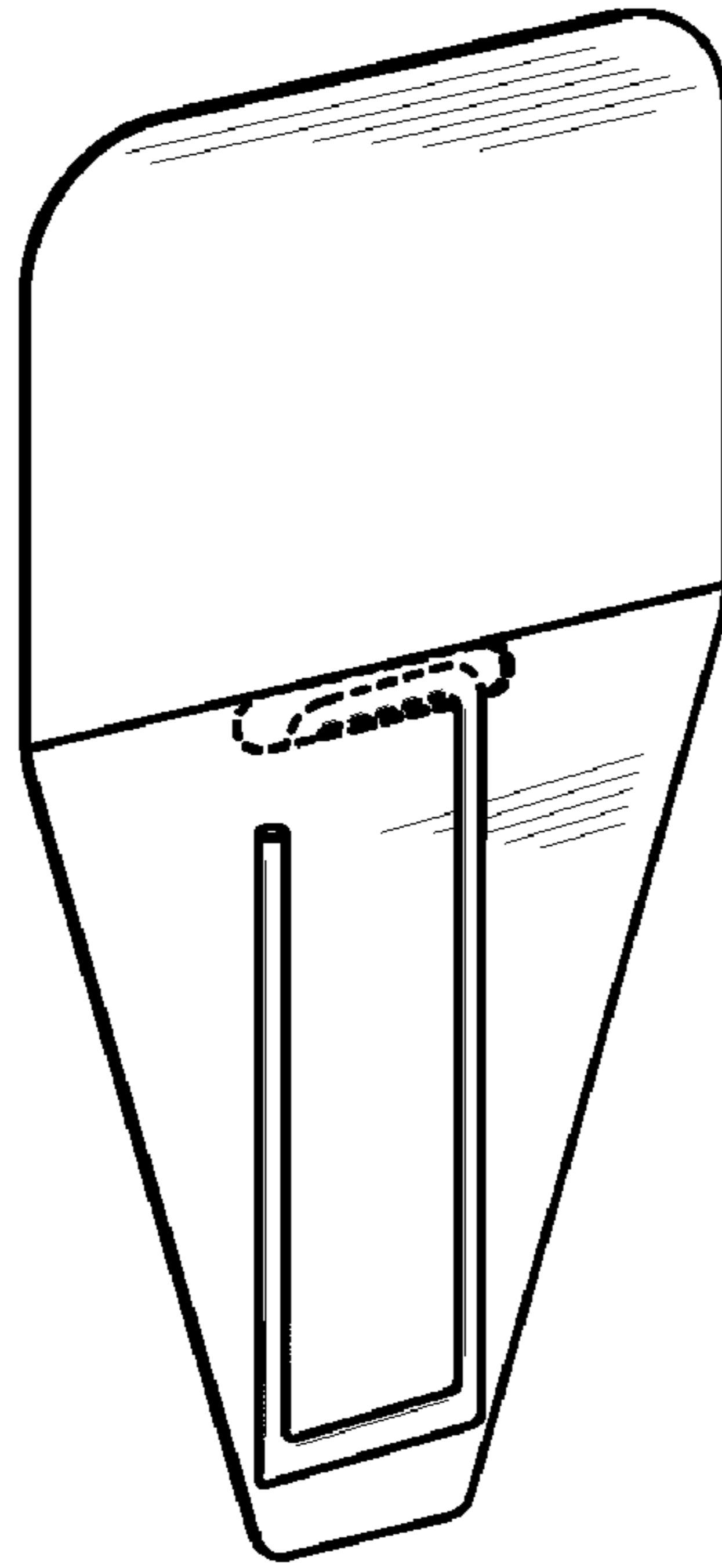


FIG. 178



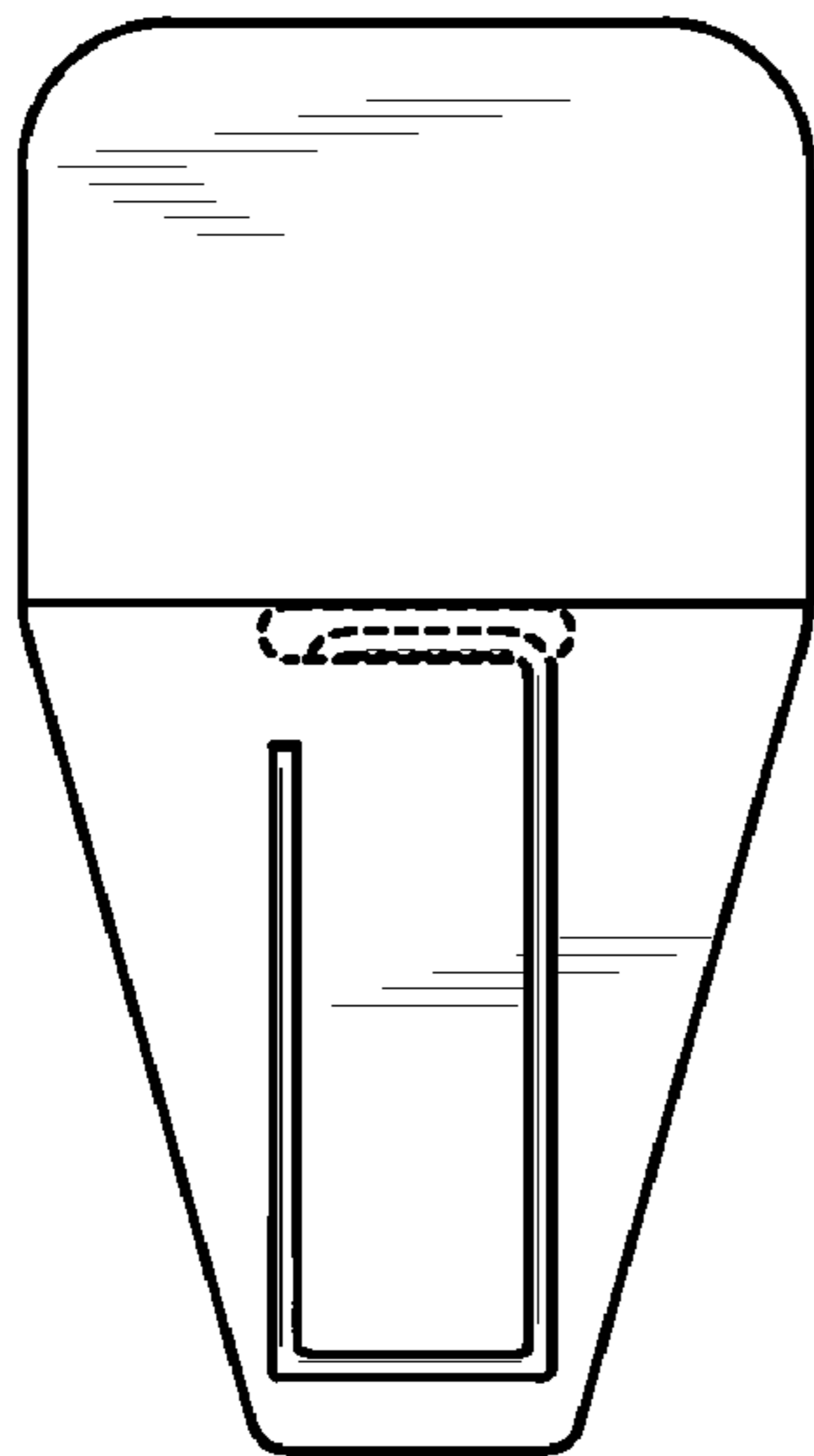
*FIG. 181*



*FIG. 185*



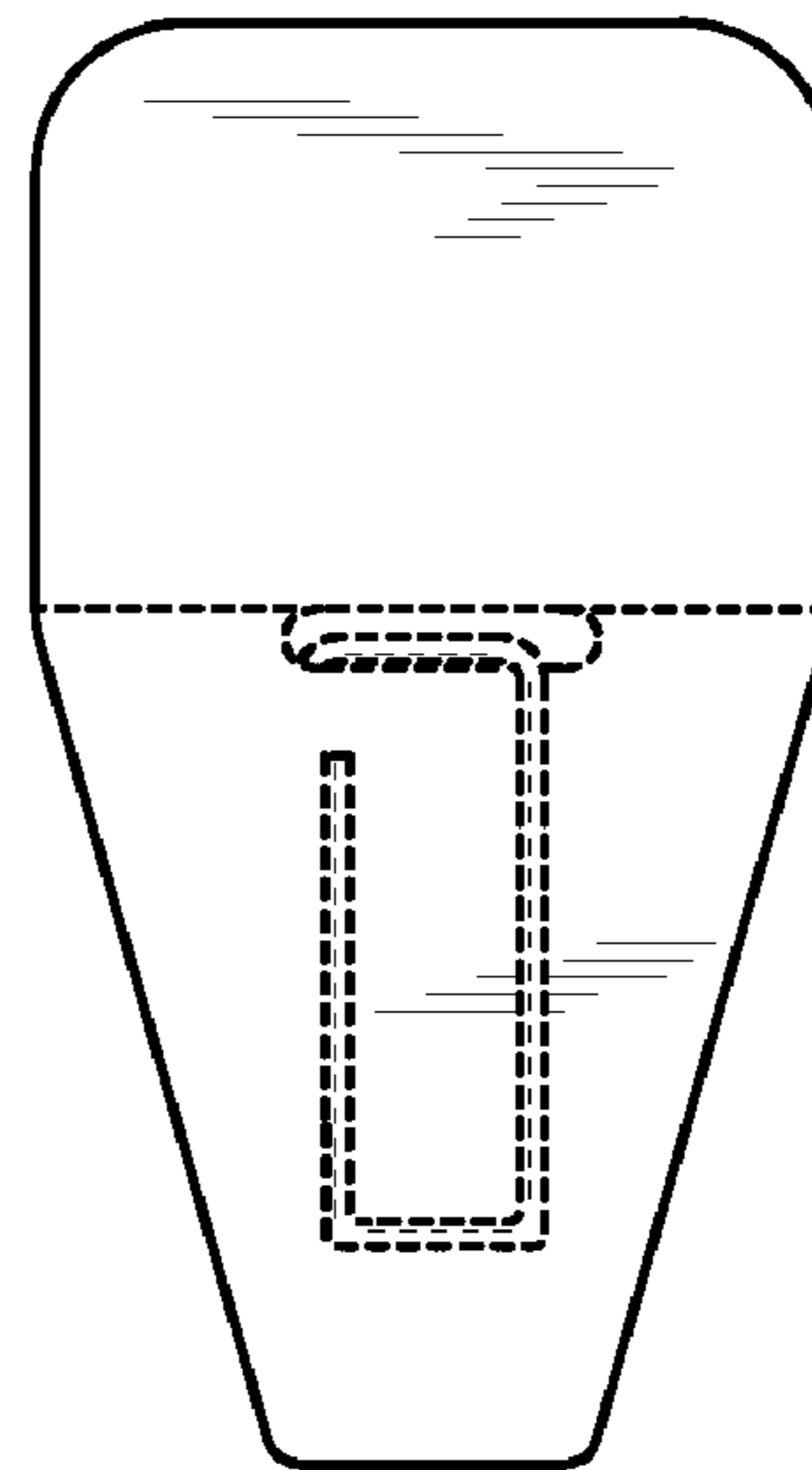
*FIG. 186*



*FIG. 182*



*FIG. 183*



*FIG. 184*

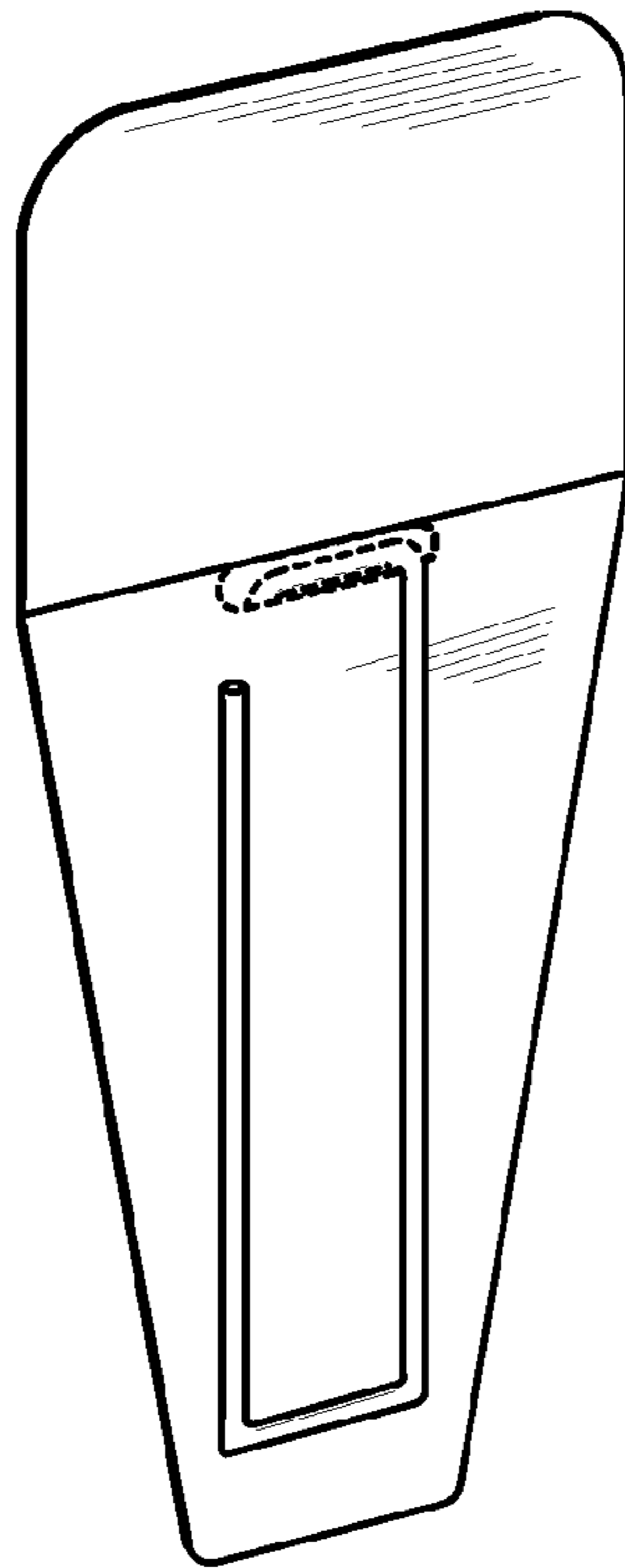


FIG. 187



FIG. 191



FIG. 192

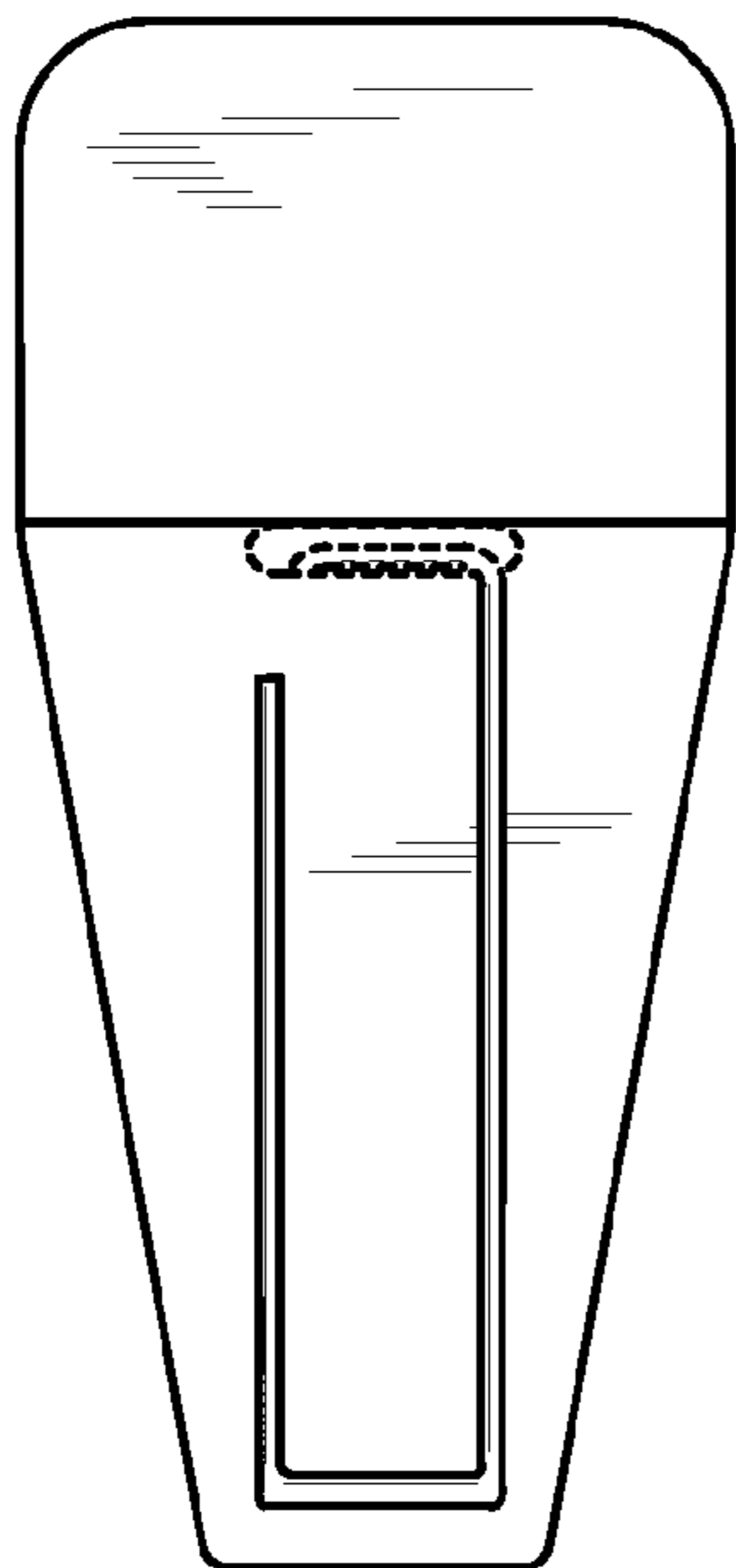


FIG. 188



FIG. 189

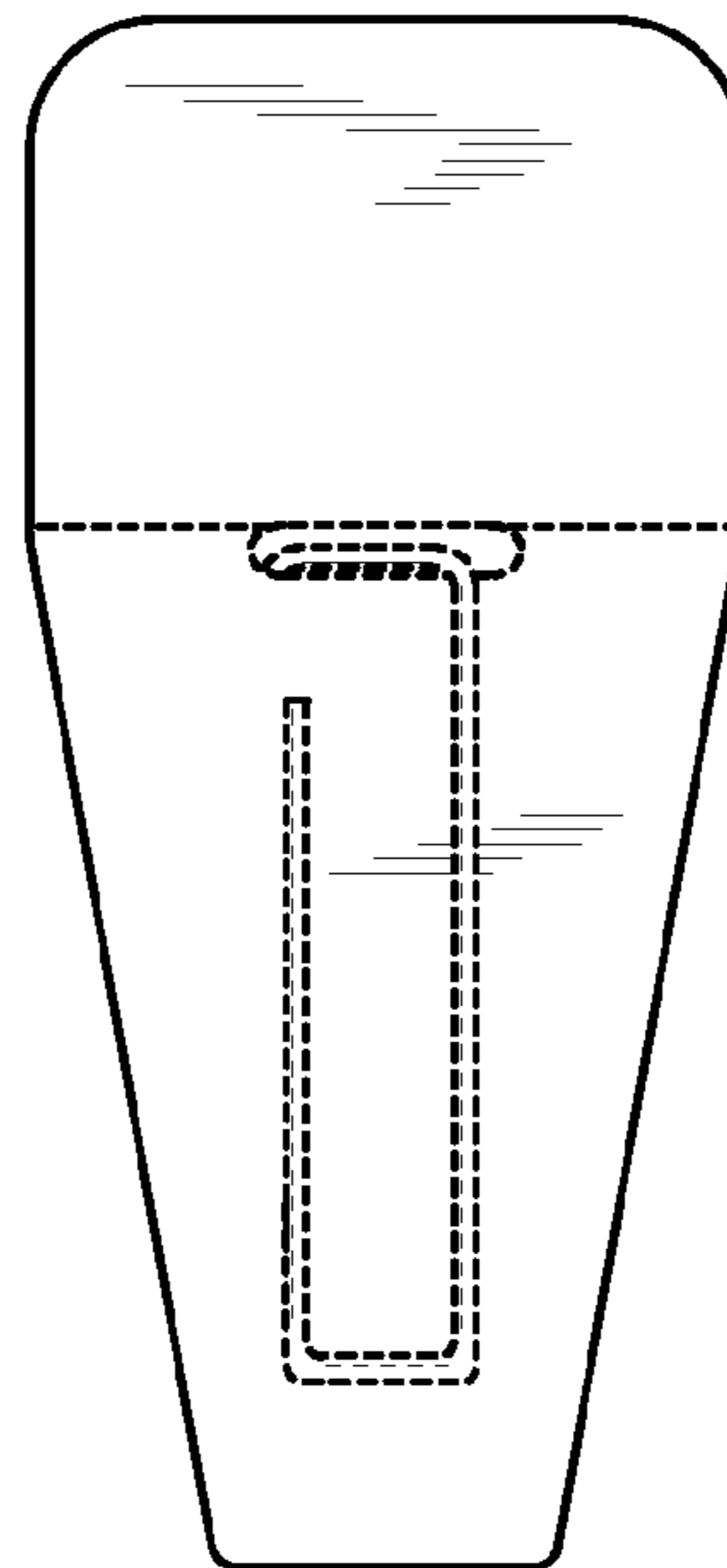


FIG. 190

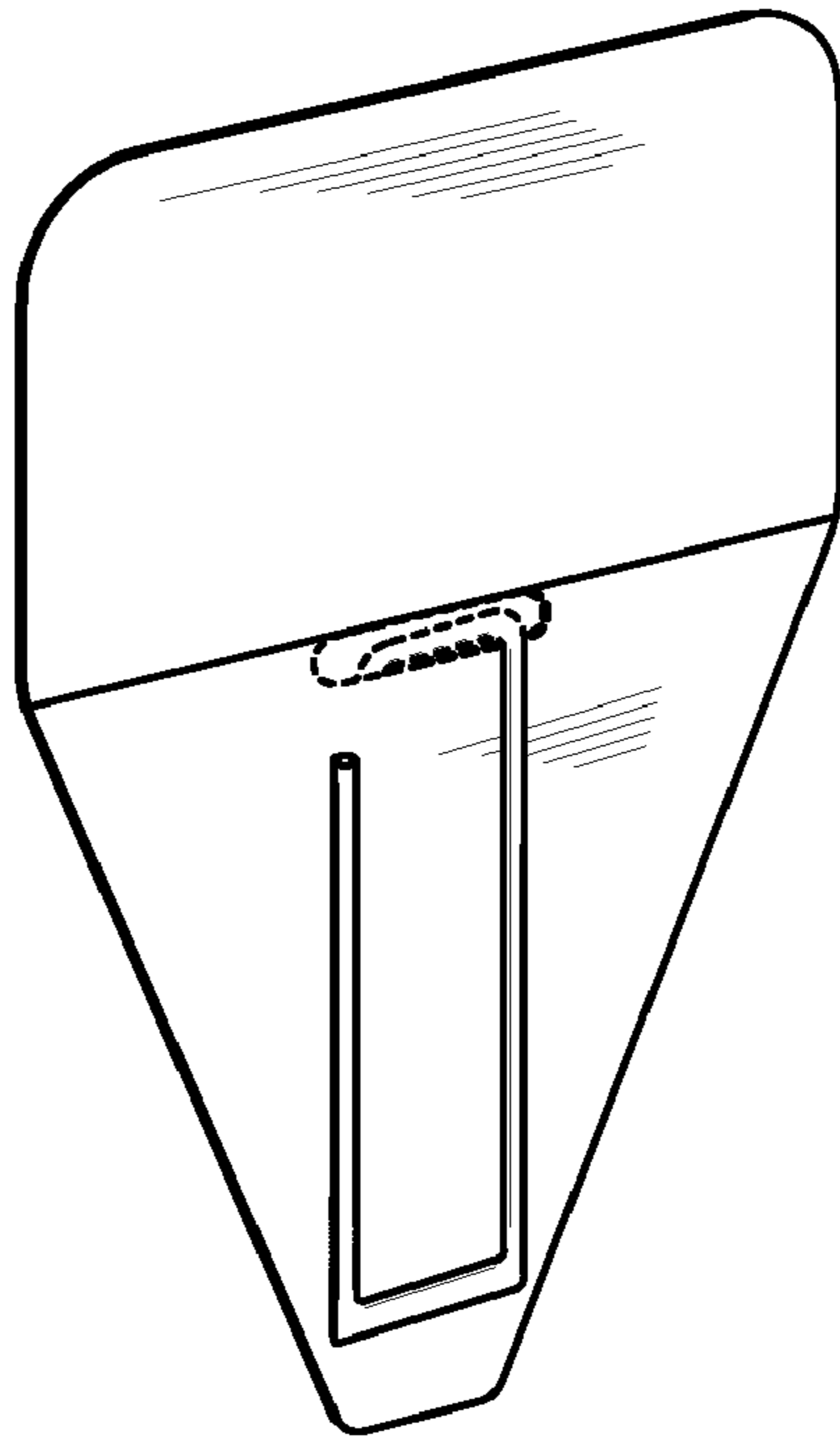


FIG. 193



FIG. 197



FIG. 198

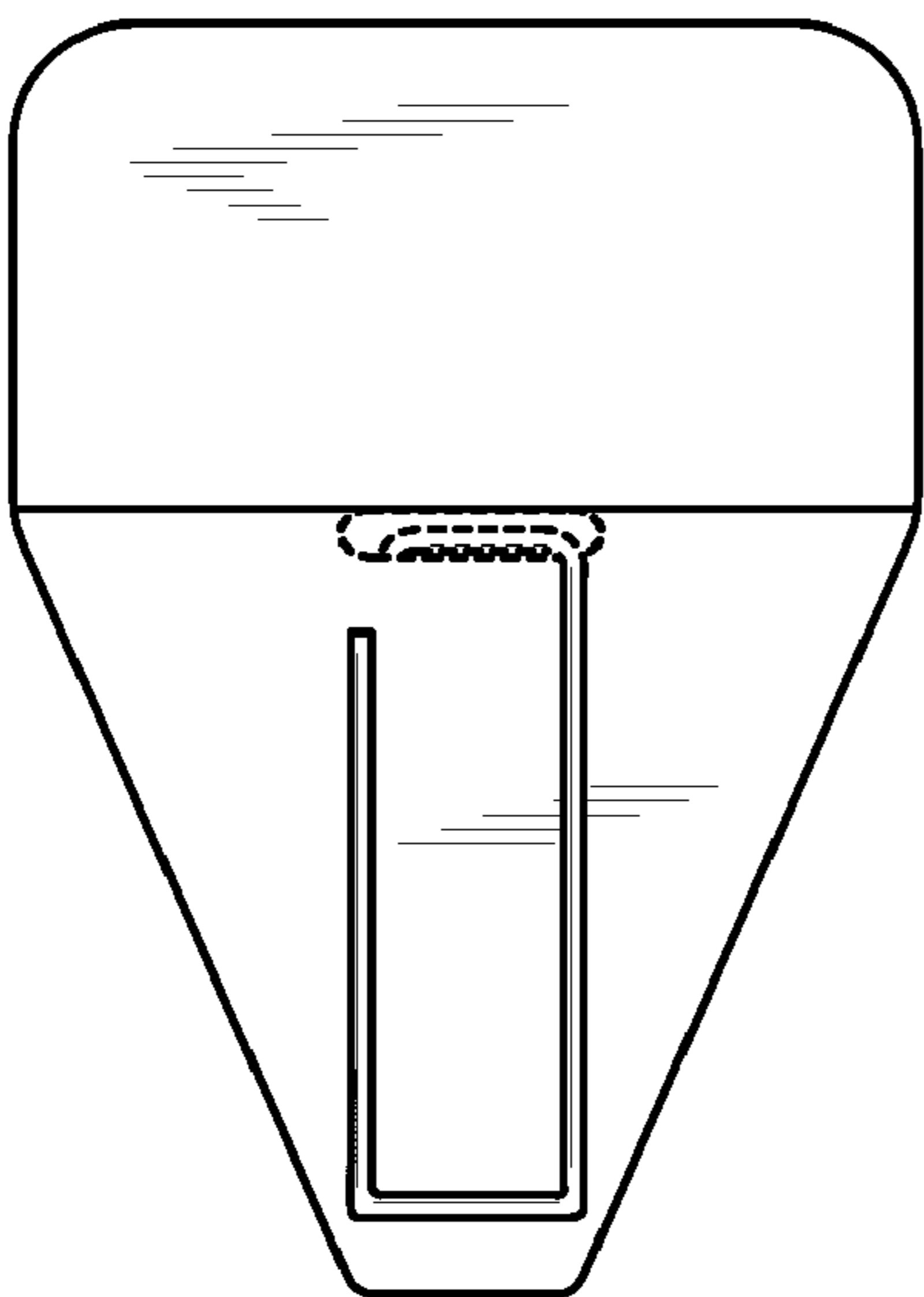


FIG. 194



FIG. 195

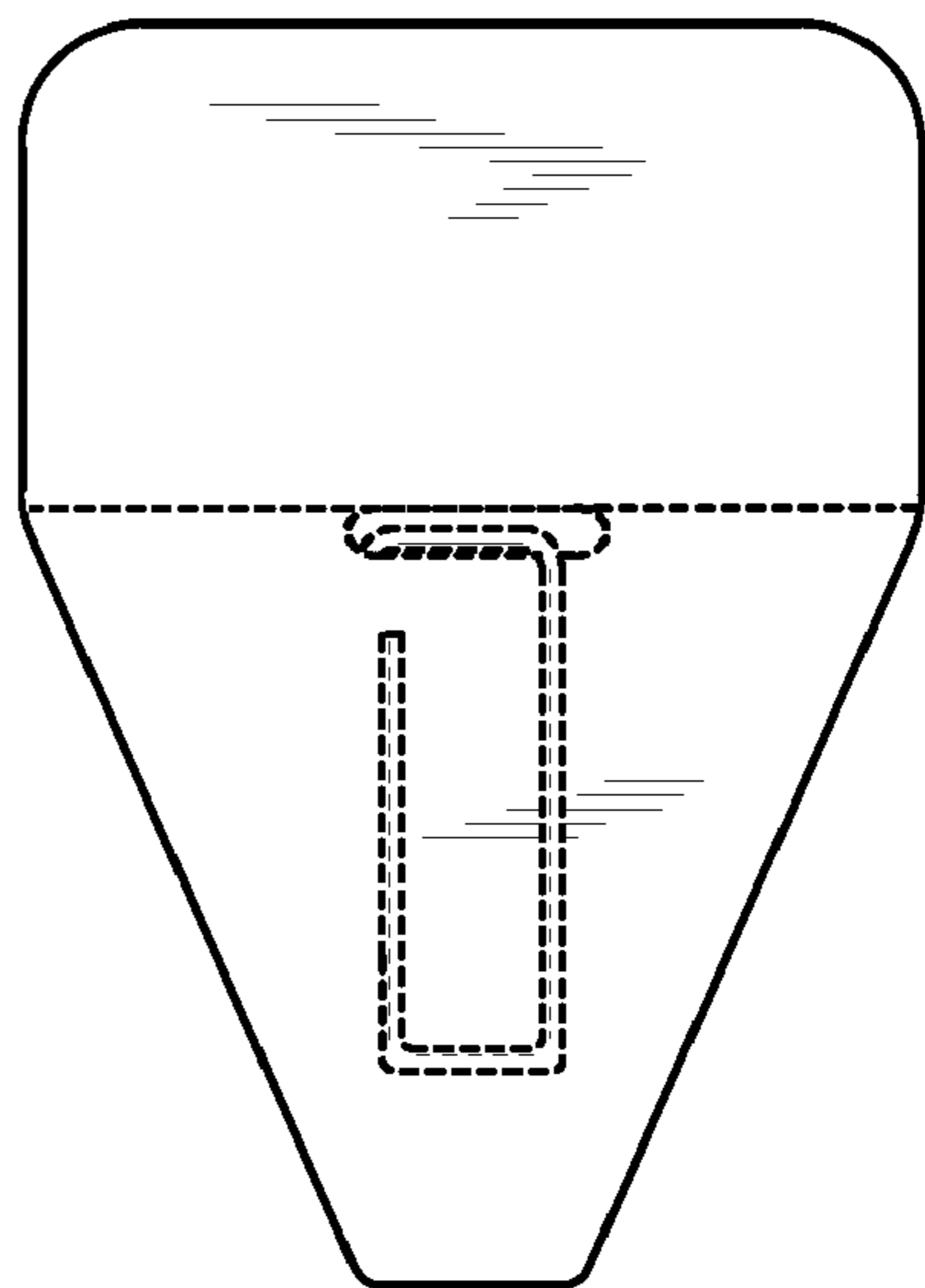


FIG. 196

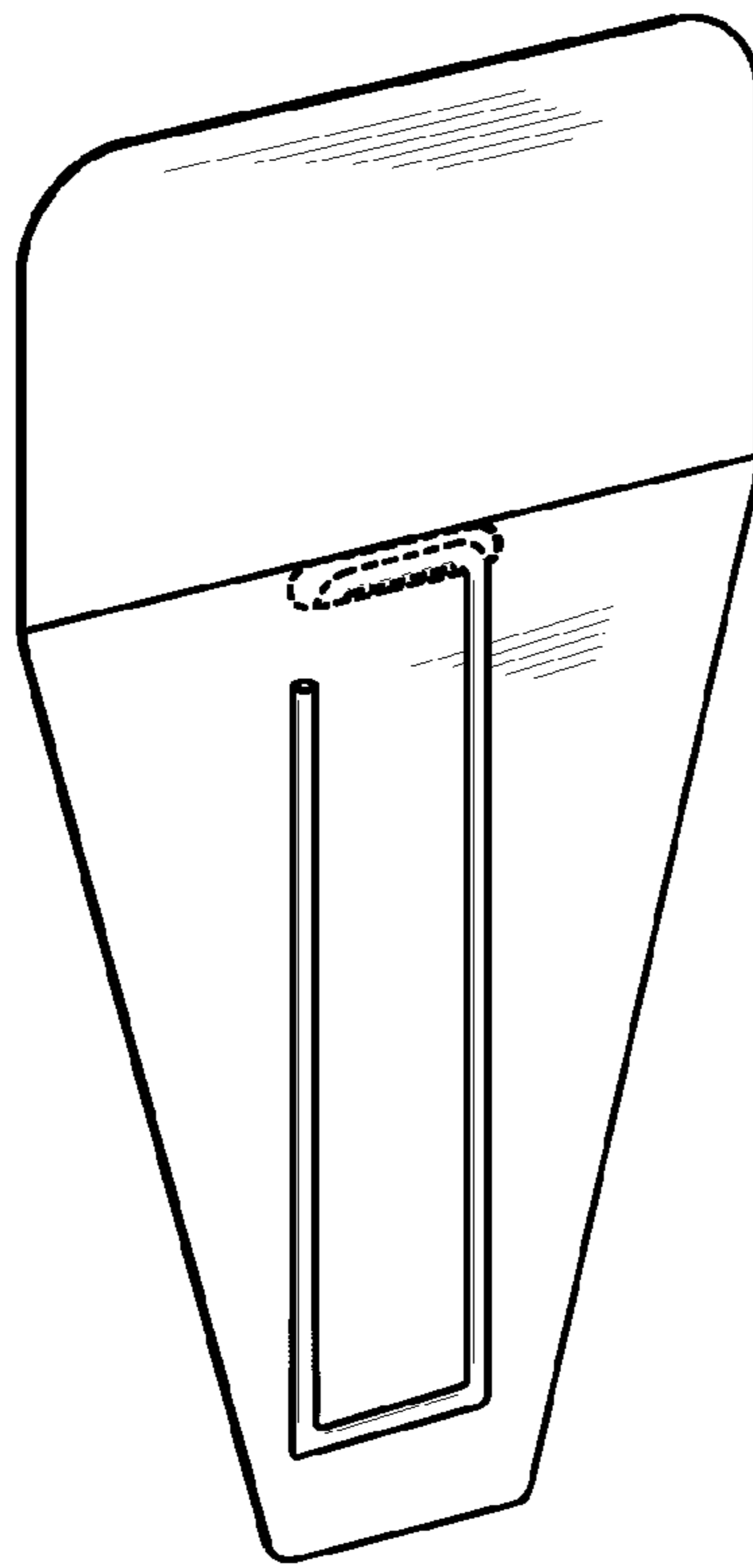


FIG. 199



FIG. 203



FIG. 204

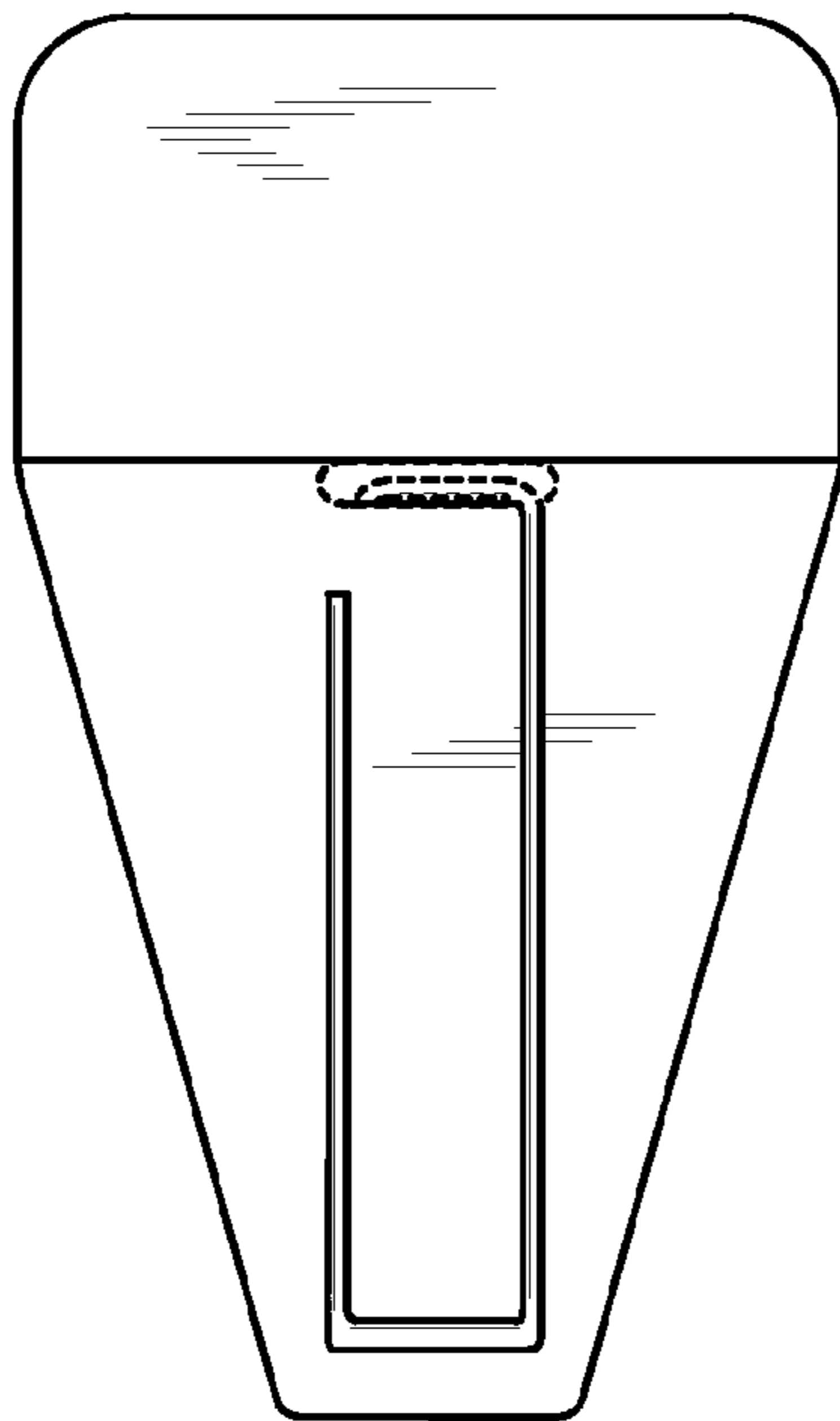


FIG. 200



FIG. 201

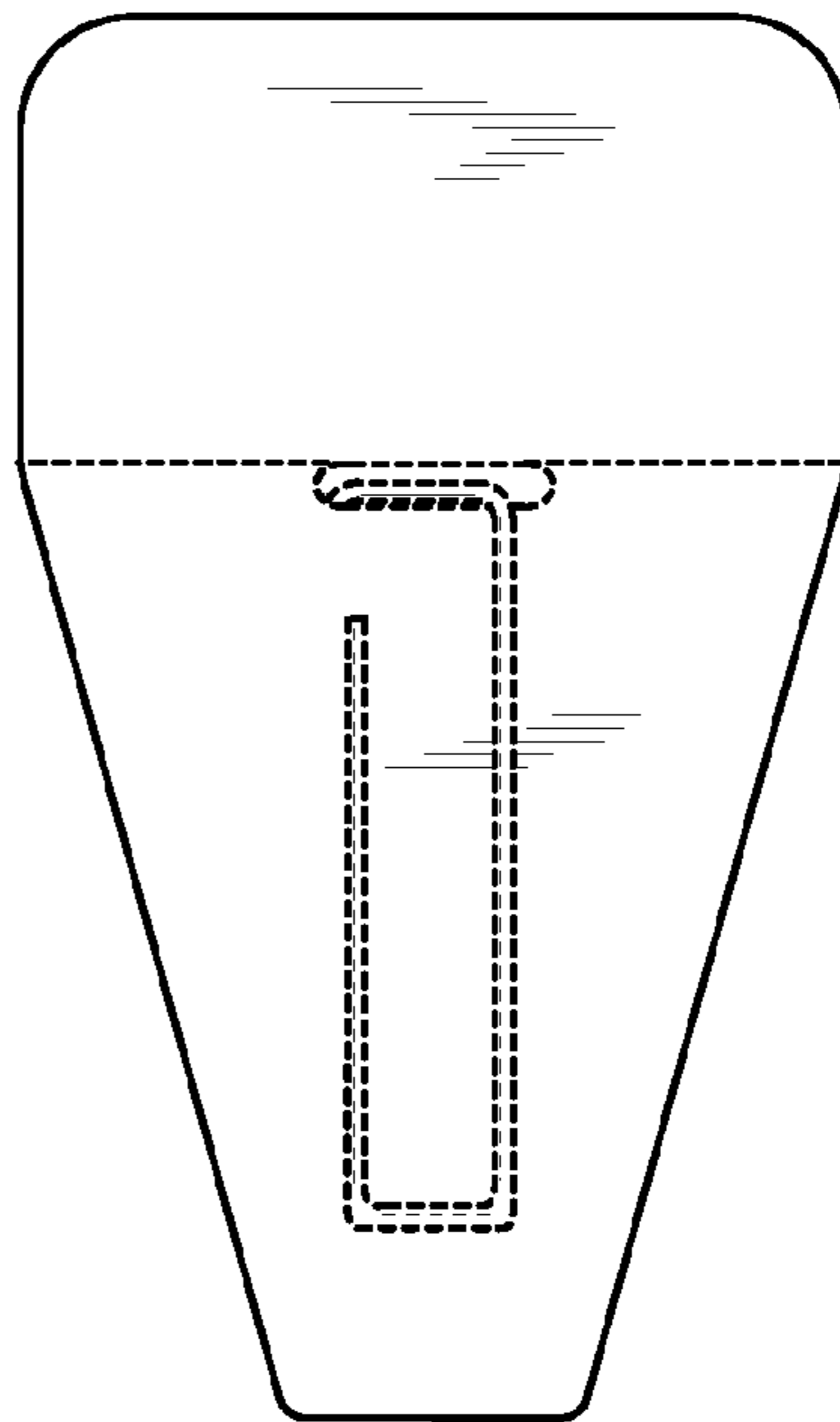


FIG. 202

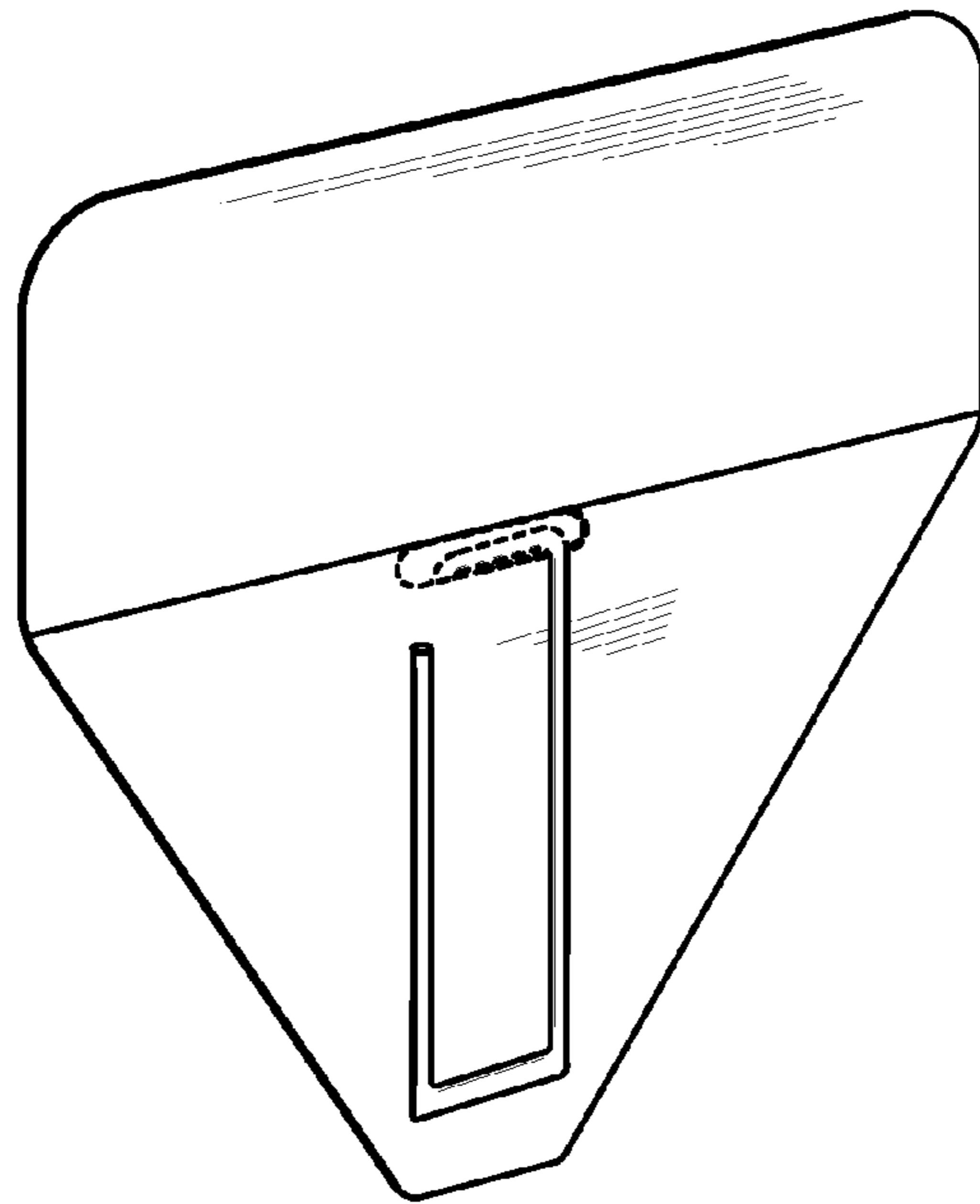


FIG. 205



FIG. 209



FIG. 210

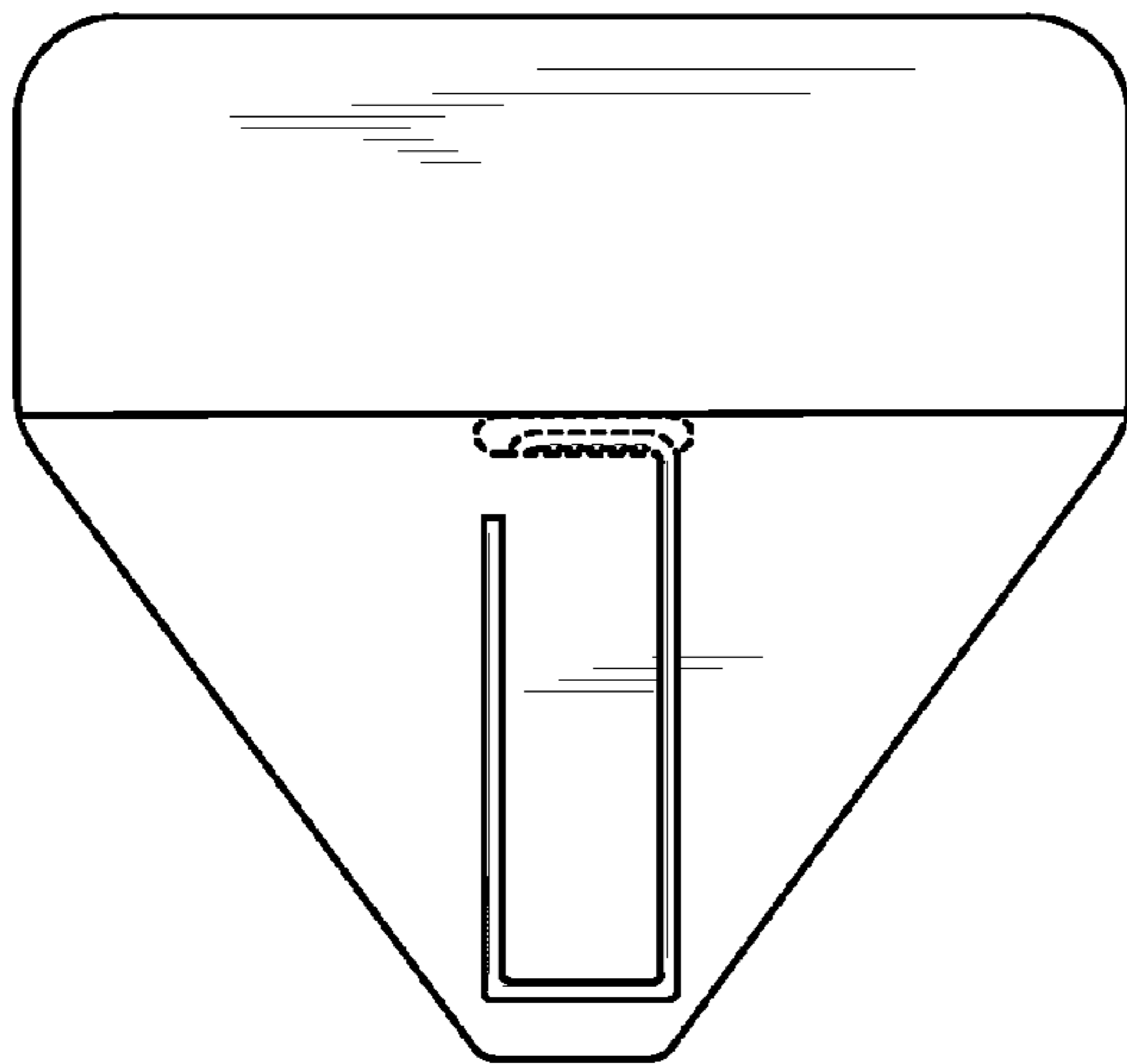


FIG. 206



FIG. 207

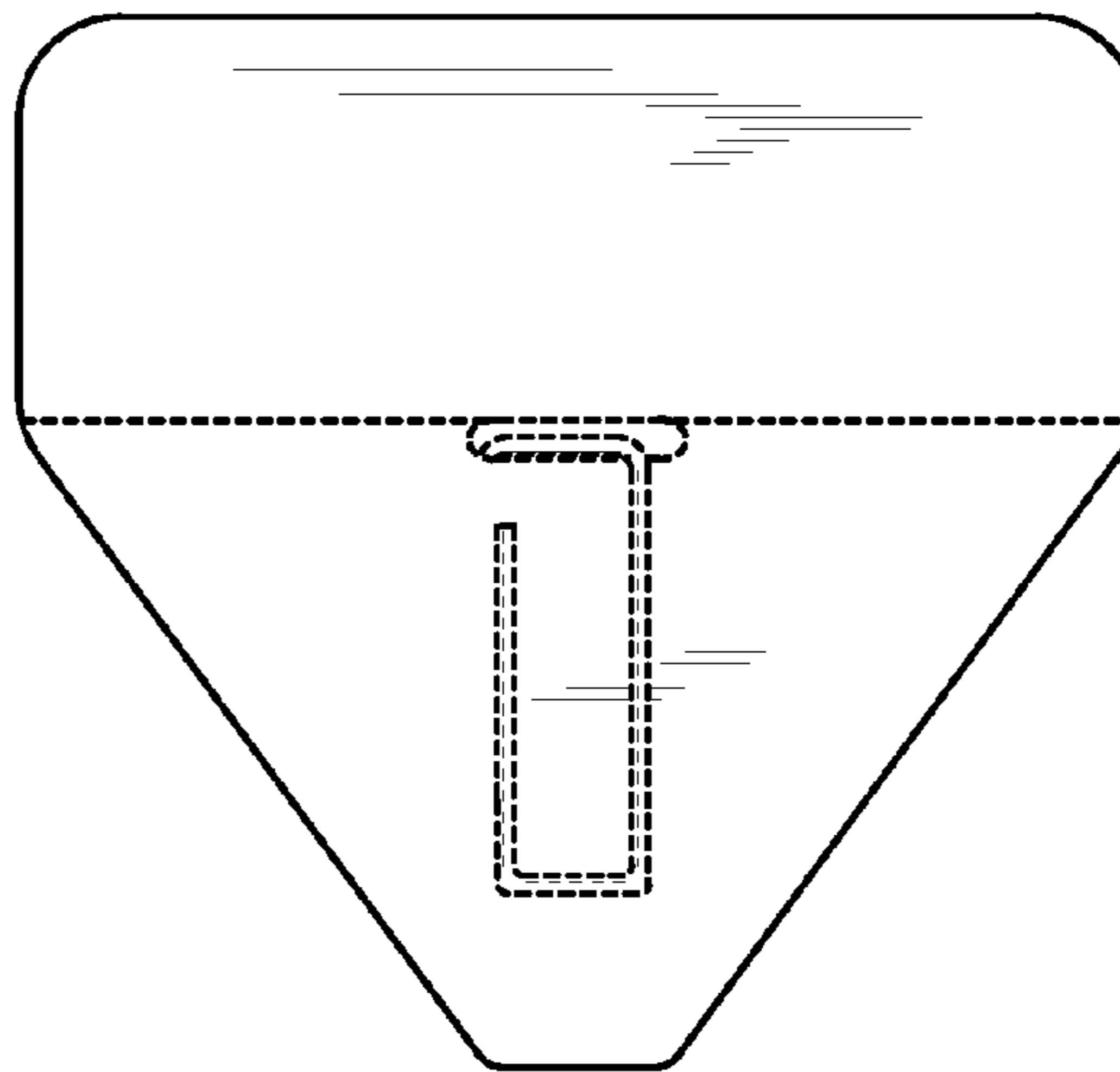


FIG. 208



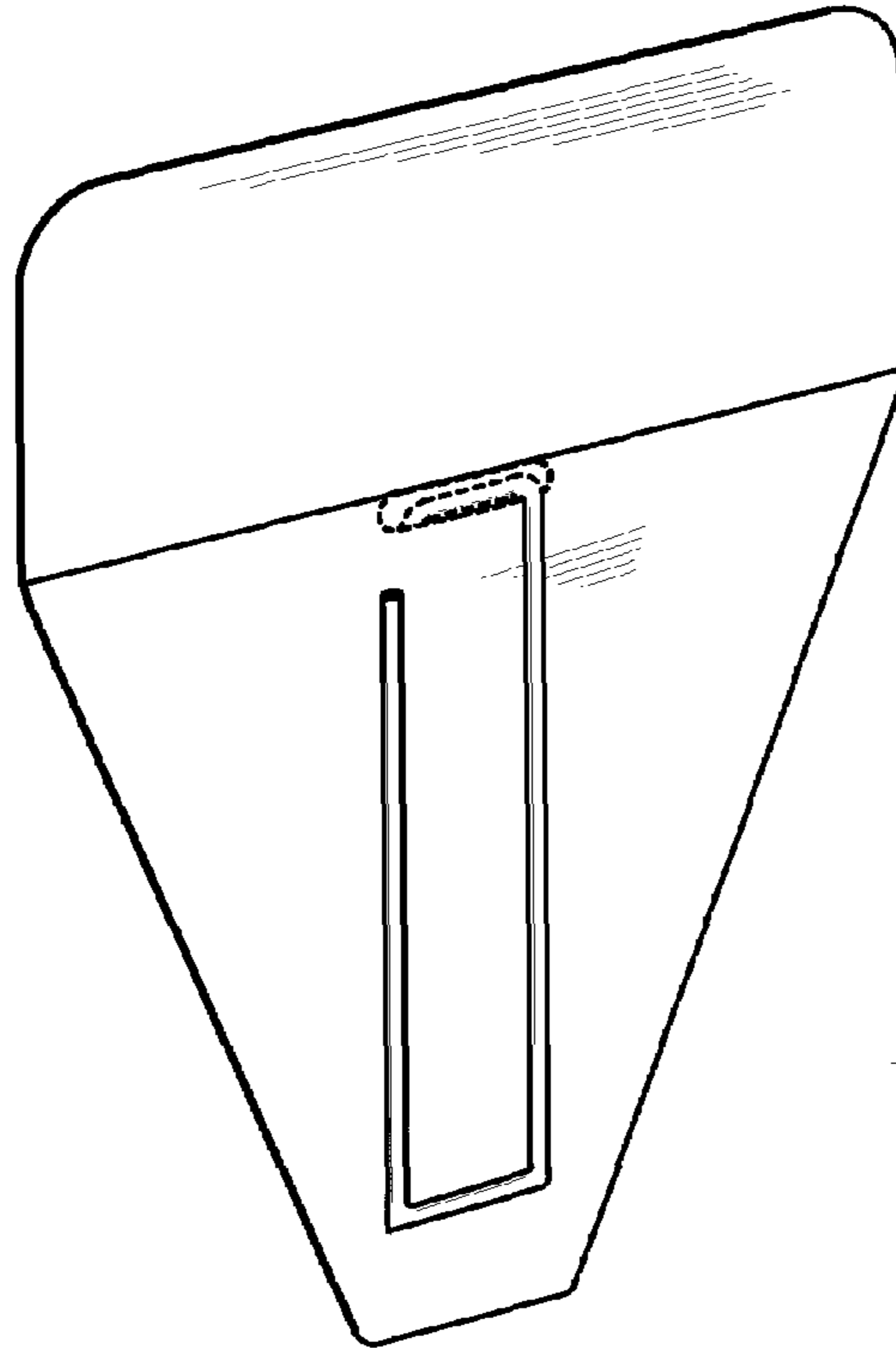


FIG. 211



FIG. 215

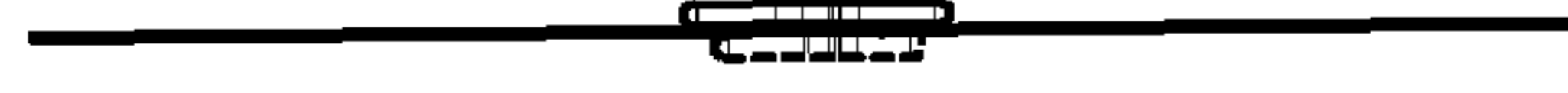


FIG. 216

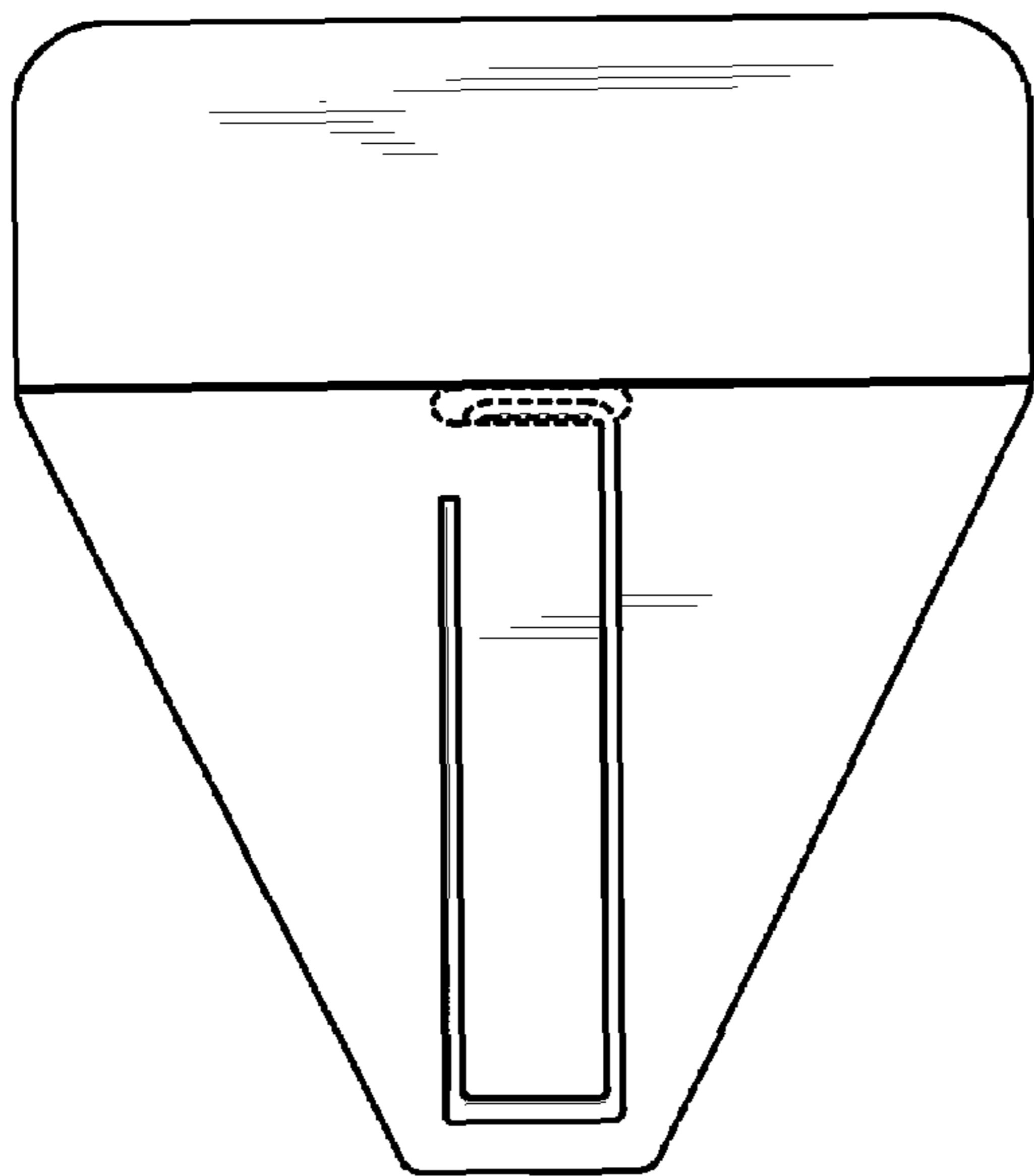


FIG. 212



FIG. 213

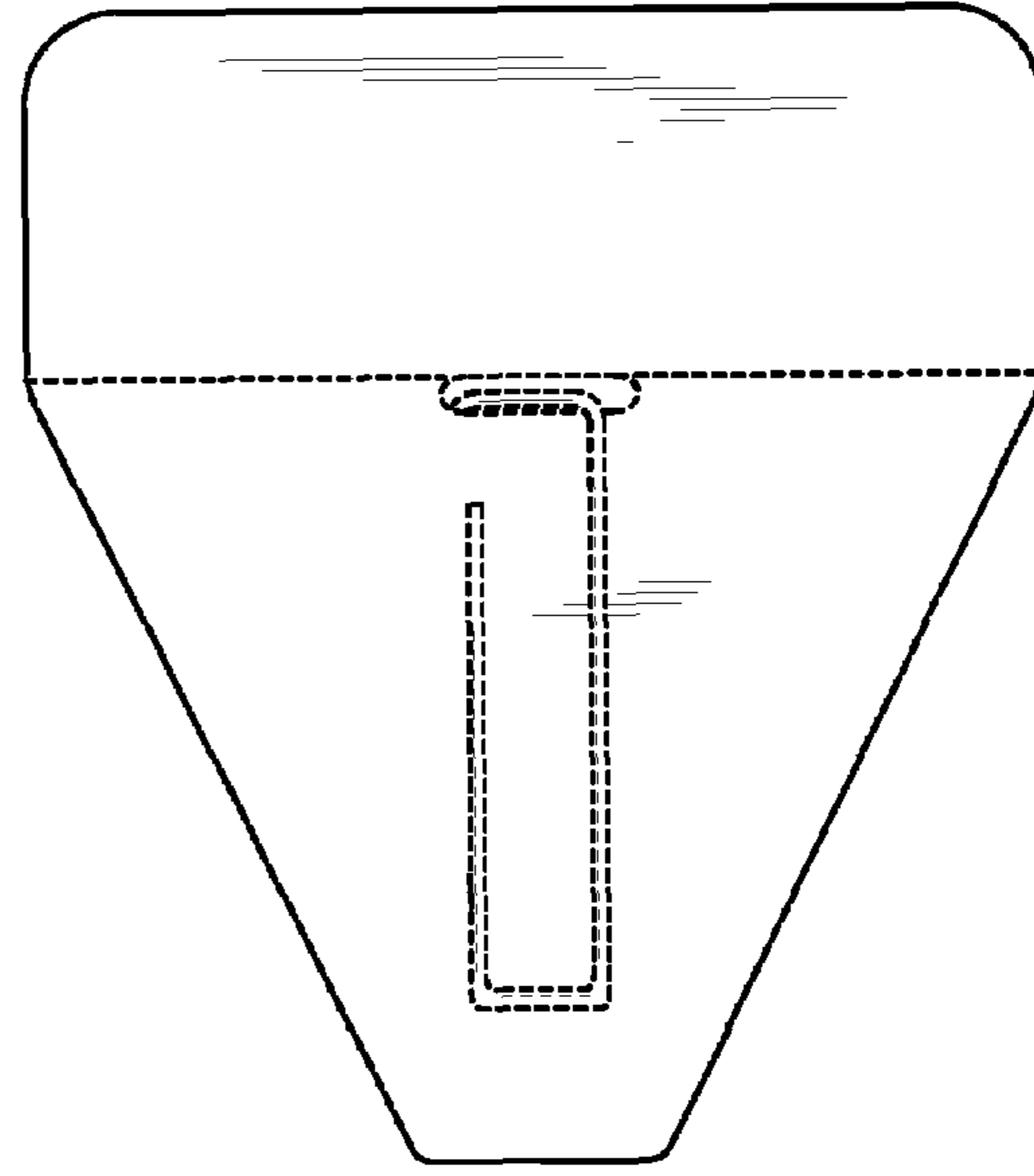


FIG. 214